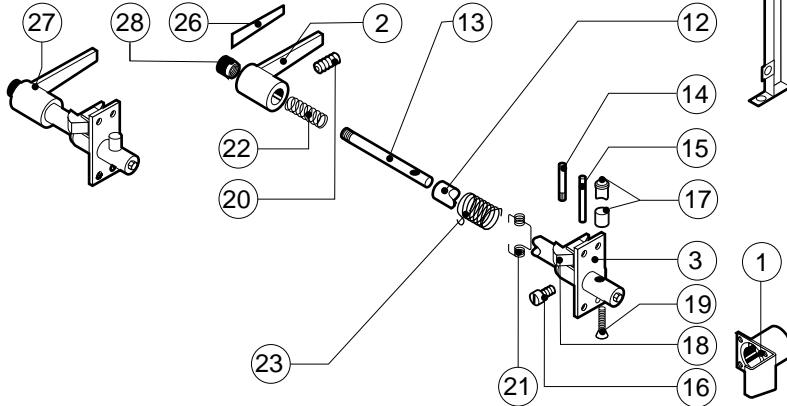
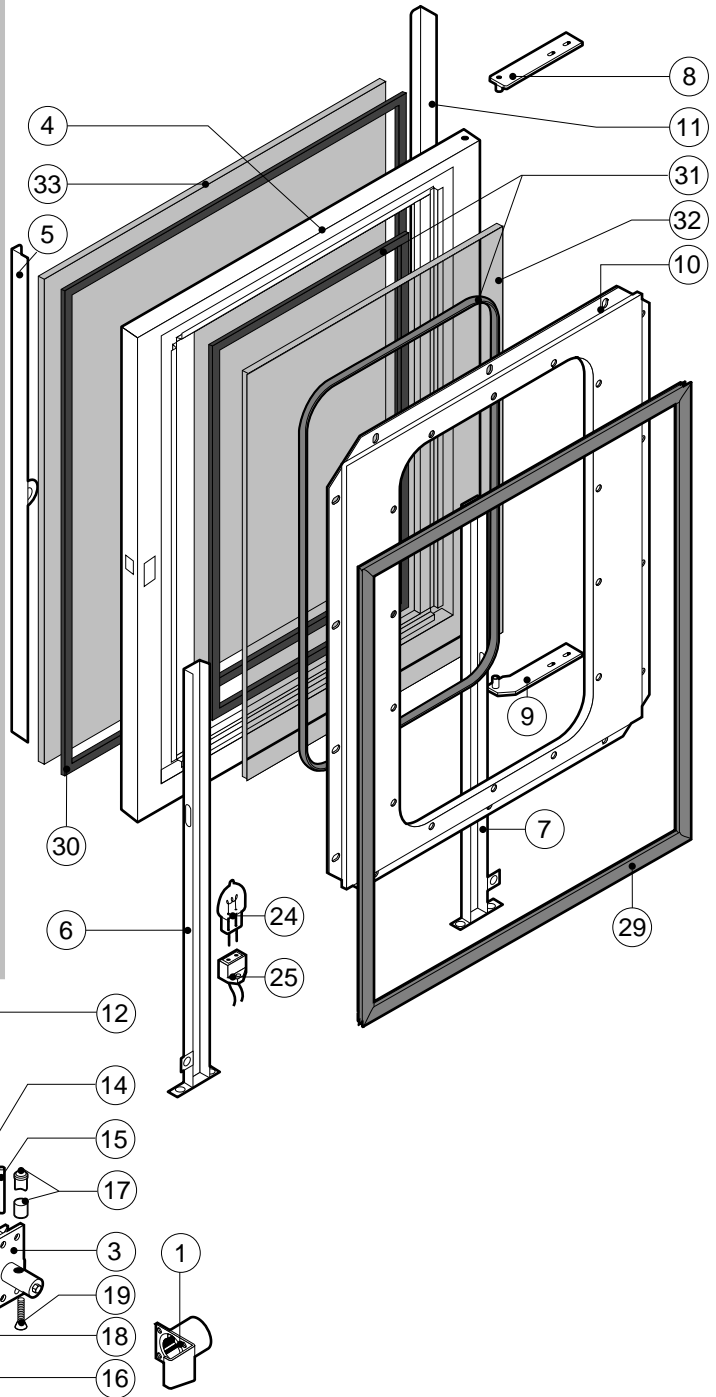
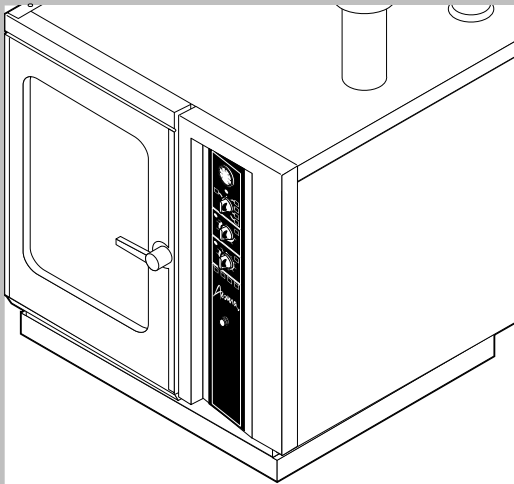


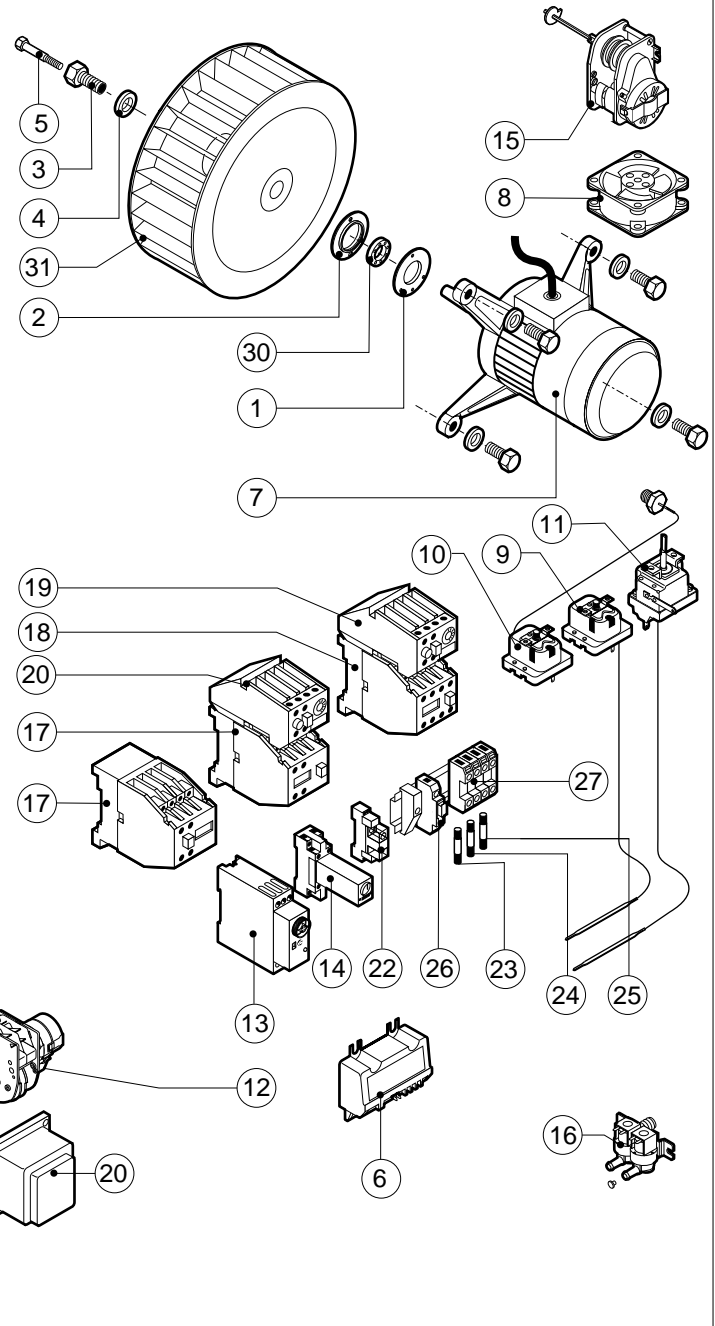
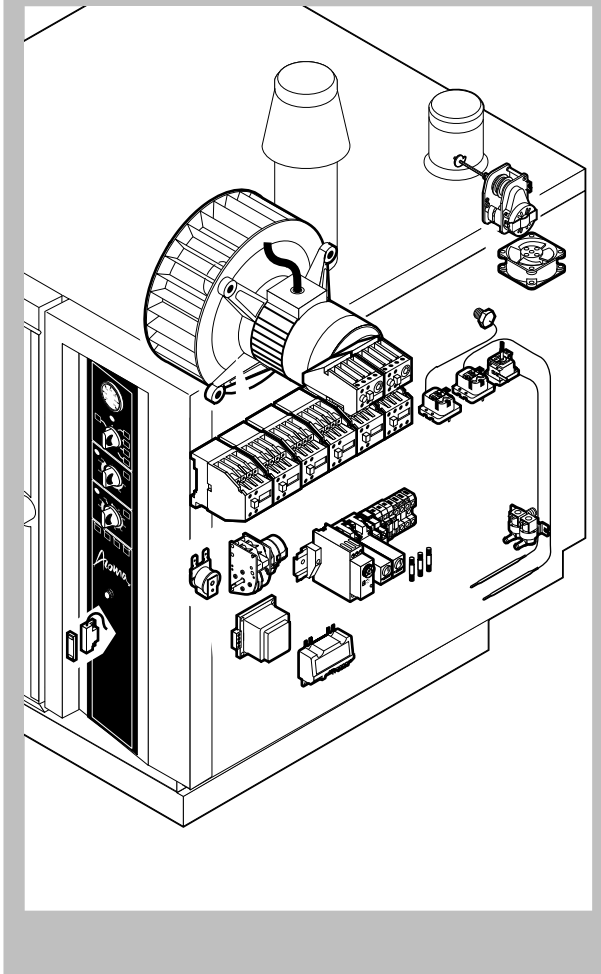
POS.	CODE	PIECES	DESCRIPTION
1	R10206480	1	SPRITZER EXTENSION
2	R10206540	1	SPRITZER UNION
3	R12100030	1	DOOR ASSEMBLY
4	R12101010	1	CONTROL PANEL WITH PLATE
5	R12200350	1	COOKING CABINET ASSEMBLY
6	R12210040	1	COVER PANEL
7	R12210060	1	FAN GUARD PANEL ASSEMBLY
8	R12210220	1	RIGHT SIDE PANEL
9	R12210230	1	LEFT SIDE PANEL
10	R12210260	1	REAR PANEL
11	R58006390	2	FAN GUARD FASTENING SCREW
12	R69070070	4	FOOT 1"1/4x120
13	R70042820	1	FRONT GASKET
14	R75300090	1	FAN GUARD GRID Ø 350

POS.	CODE	PIECES	DESCRIPTION



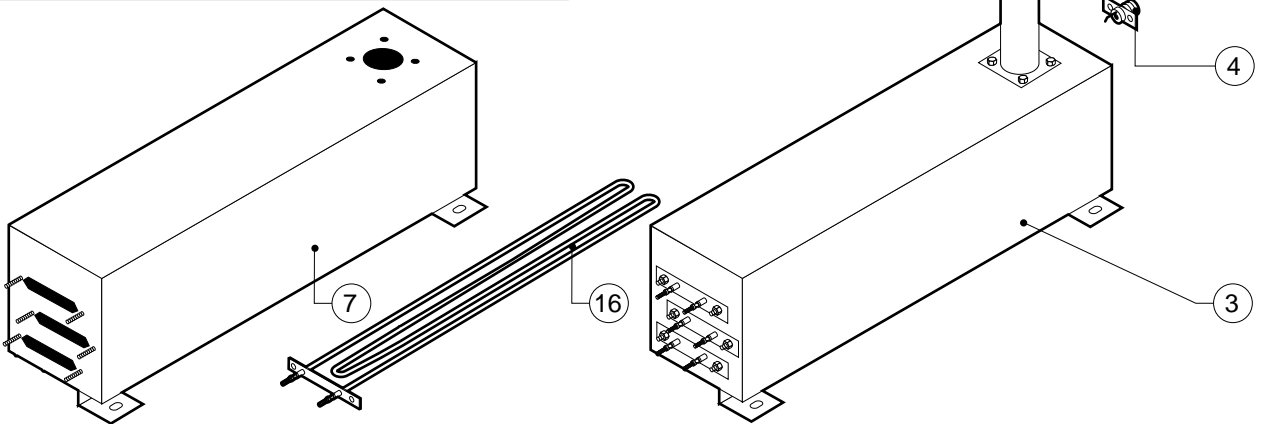
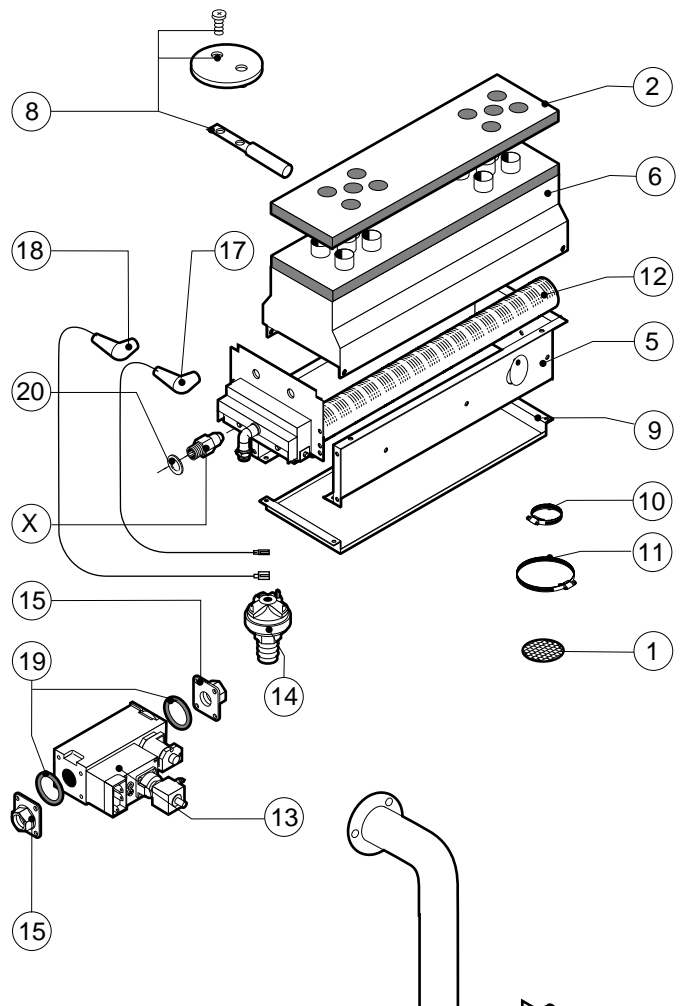
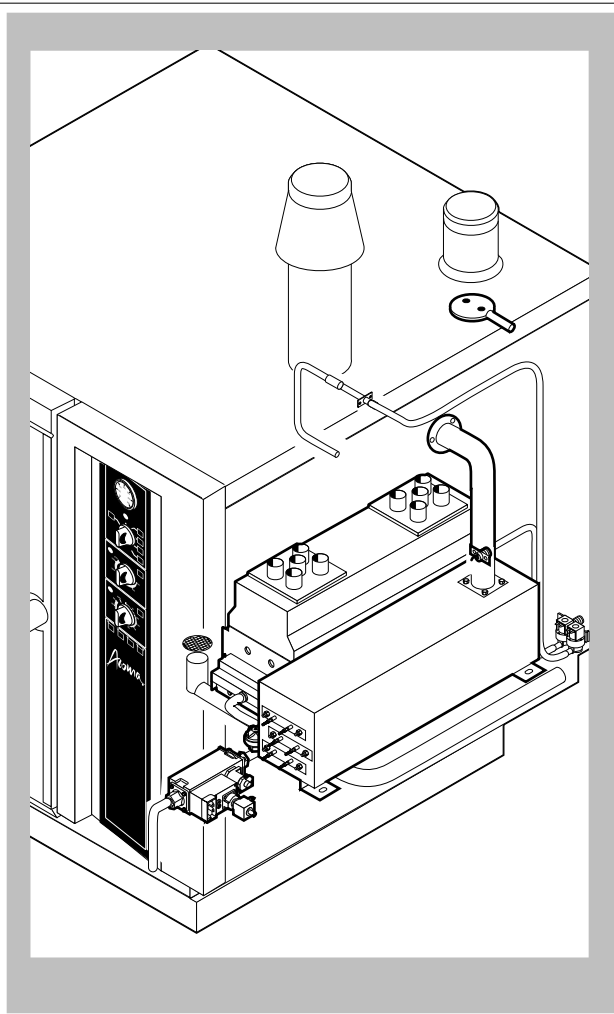
POS.	CODE	PIECES	DESCRIPTION
1	R12200810	1	FLANGED BUSH
2	R12200890	1	DOOR HANDLE
3	R12200900	1	FLANGED HANDLE BRACKET
4	R12210180	1	DOOR
5	R12210190	1	RIGHT GLASS FIXING BRACKET
6	R12210200	1	RIGHT LAMP COVER
7	R12210210	1	LEFT LAMP COVER
8	R12210280	1	UPPER DOOR HINGE
9	R12210290	1	LOWER DOOR HINGE
10	R12420640	1	INNER DOOR PANEL
11	R12420660	1	LEFT GLASS FIXING BRACKET
12	R58001920	1	DOOR HANDLE PIN
13	R58002300	1	DOOR HANDLE ROD
14	R58002320	1	PUSH ROD
15	R58002350	1	DOOR HANDLE PRONG PIN
16	R58002370	1	HANDLE LOCKING BOLT
17	R58004781	1	DOOR HANDLE HOOK
18	R58005050	1	DOOR HANDLE PRONG
19	R58006370	1	DOOR HANDLE HOOK SCREW

POS.	CODE	PIECES	DESCRIPTION
20	R61090562	1	GRUB SCREW M8x10
21	R61620012	1	DOOR HANDLE CATCH SPRING
22	R61620041	1	DOOR HANDLE BUTTON SPRING
23	R61620102	1	HANDLE RETURN SPRING
24	R65270020	4	LIGHT 20W 12V G4
25	R65270400	4	LIGHT SOCKET
26	R67011000	1	HANDLE INSERT BLUE
27	R69015030	1	DOOR HANDLE ASSEMBLY
28	R69031220	1	DOOR HANDLE PUSH BUTTON BLUE
29	R70042520	1	DOOR GASKET
30	R70042620	1	FRONT GLASS GASKET
31	R70042720	1	REAR GLASS GASKET
32	R71020110	1	DOOR GLASS
33	R71200250	1	DOOR GLASS GOLD/BLUE



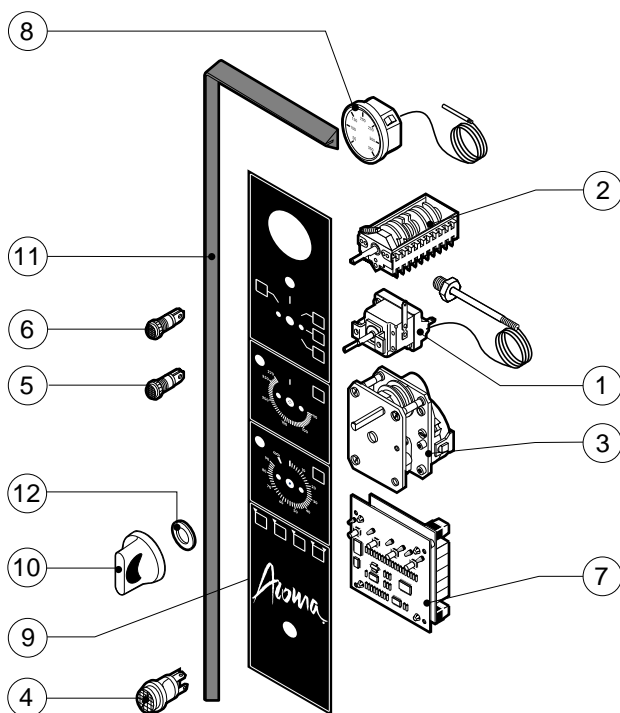
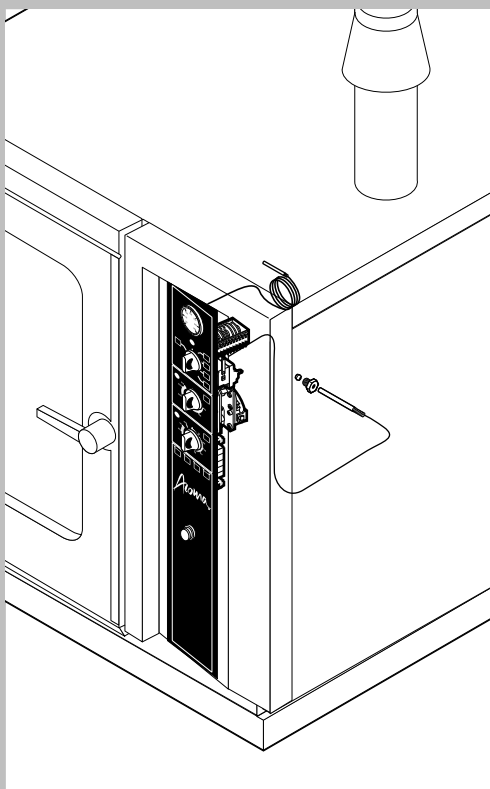
POS.	CODE	PIECES	DESCRIPTION
1	R58003840	1	MOTOR GASKET BRASS FLANGE
2	R58003850	1	MOTOR GASKET BRASS COUNTER FLANGE
3	R58004000	1	FAN SCREW M12x1.5 SX
4	R58004010	1	FAN WASHER Ø 30/12.5
5	R61020562	1	FAN SCREW TE A2 M6x55
6	R63060020	1	BURNER IGNITION PANEL S 4560 A
7	R65040051	1	MOTOR HP 1/0.3 KIT
8	R65060010	1	COMPONENTS VENTILATION MOTOR Ø 80
9	R65070060	1	STEAM GENERATOR SAFETY THERMOSTAT
10	R65070070	1	CHAMBER SAFETY THERMOSTAT
11	R65070210	1	CABINET THERMOSTAT 50/270°C
12	R65090180	1	REVERSING SWITCH 8'
13	R65090450	1	IGNITION DELAY TIMER
14	R65090460	2	S.GENERATOR DRAIN TIMER FINDER MOD.85.32
15	R65095010	1	DAMPER SYSTEM
16	R65115000	1	SOLENOID VALVE 220V 50HZ WITH FLOW REDUCER
17	R65140150	5	CONTACTOR 3TF4011-OAUO 240V
18	R65140170	1	CONTACTOR 3TF4022-OAUO 240V
19	R65160110	1	THERMIC PROTECTION 3UA5000-0J 0.63-1A

POS.	CODE	PIECES	DESCRIPTION
20	R65160120	1	THERMIC PROTECTION 3UA5000-1C 1.6-2.5A
21	R65170050	4	RELAY 4052 240V AC 10A
22	R65180660	1	TRANSFORMER 80VA
23	R65200010	1	FUSE 0.8A (T)
24	R65200086	1	FUSE 0.125A (T)
25	R65200200	1	FUSE 2A
26	R65210020	3	FUSE CARRIER
27	R65220090	1	TERMINAL BOARD
28	R65265100	1	DOOR SWITCH
29	R65330010	1	BUZZER
30	R70020050	1	MOTOR GASKET
31	R75400380	1	FAN Ø 350x120/24 50HZ P.D. KIT



POS.	CODE	PIECES	DESCRIPTION
1	R09200100	1	DRAIN FILTER
2	R10406250	1	COMBUSTION CABINET INSULATION PLATE
3	R12100320	1	STEAM GENERATOR ASSEMBLY
4	R12201190	1	WATER INJET COUPLING
5	R12201450	1	CABINET BURNERS SUPPORT
6	R12201460	1	COMBUSTION CABINET
7	R12210150	1	STEAM GENERATOR
8	R12401420	1	VENT OUTLER BUTTERFLY
9	R12403960	1	CHAMBER BURNERS PROTECTION PLATE
10	R61630011	2	METAL CLAMPS 12-22/9
11	R61630041	2	METAL CLAMPS 70-90/9
12	R63015020	1	CHAMBER BURNER ASSEMBLY
13	R63020010	1	GAS SOLENOID VALVE VR4605
14	R63070010	1	GAS SAFETY PRESSURE SWITCH PG 901.61
15	R63080010	2	STRAIGHT FLANGE 1/2"
16	R65021100	3	STEAM GENERATOR HEATING ELEMENT 900W
17	R66605060	1	SPARK PLUG CABLE
18	R66605070	1	SPARK PLUG CABLE
19	R70010070	2	RING

POS.	CODE	PIECES	DESCRIPTION
20	R70030090	2	NOZZLE GASKET
X		2	NOZZLE (See service manual)



POS.	CODE	PIECES	DESCRIPTION
1	R65070210	1	CABINET THERMOSTAT 50/270°C
2	R65080020	1	MAIN SELECTOR SWITCH
3	R65090050	1	TIMER 90'
4	R65260500	1	UNIPOLAR PUSH BUTTON
5	R65270220	2	ORANGE INDICATING LIGHT
6	R65270230	1	GREEN INDICATING LIGHT
7	R65300510	1	CONTROL PANEL P.C. BOARD
8	R65340050	1	THERMOMETER
9	R67011560	1	LAINOX PLATE
10	R69030150	3	KNOB KIT
11	R70042920	1	CONTROL PANEL GASKET
12	R70050020	6	KNOB GASKET

POS.	CODE	PIECES	DESCRIPTION