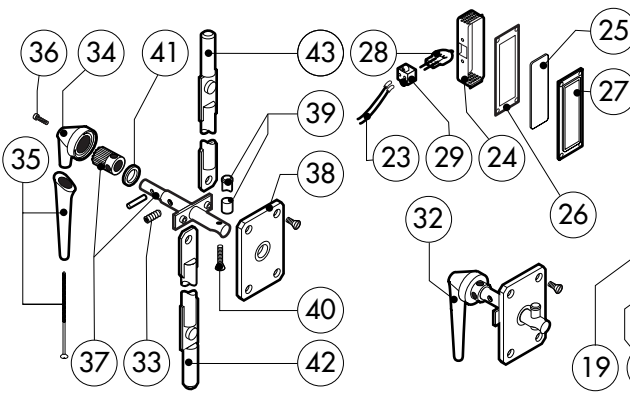
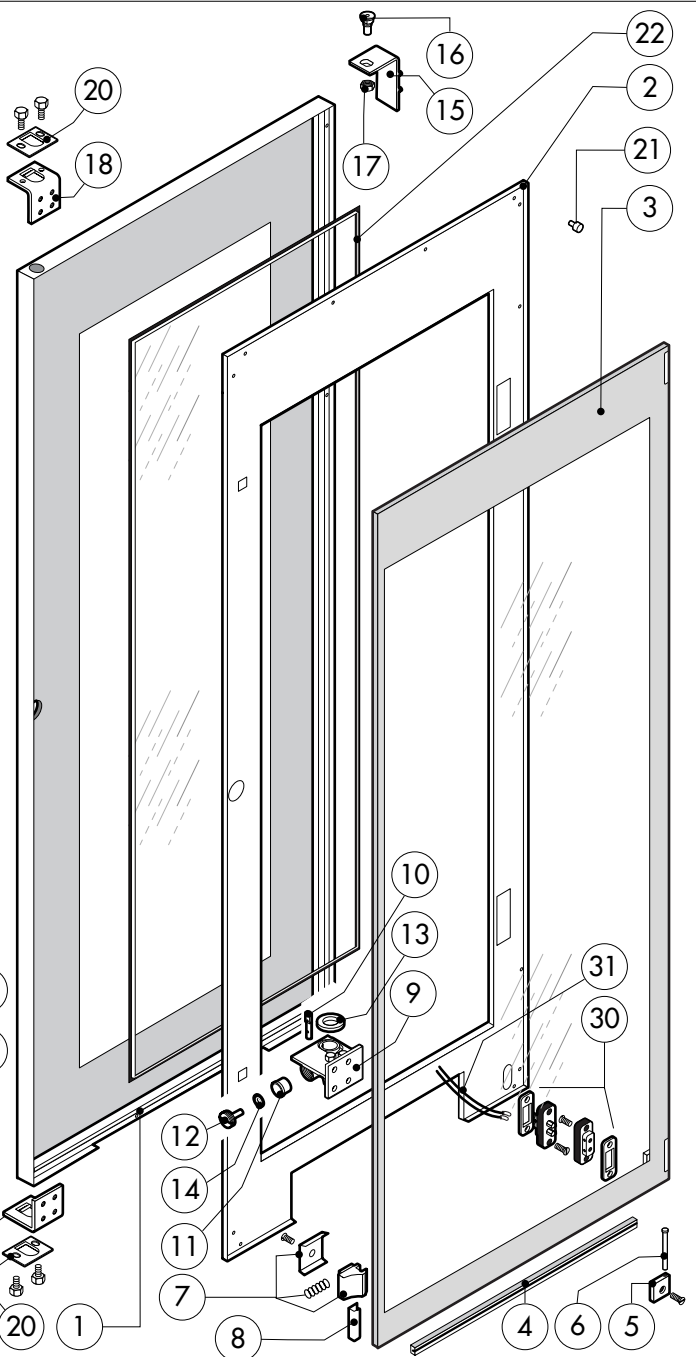
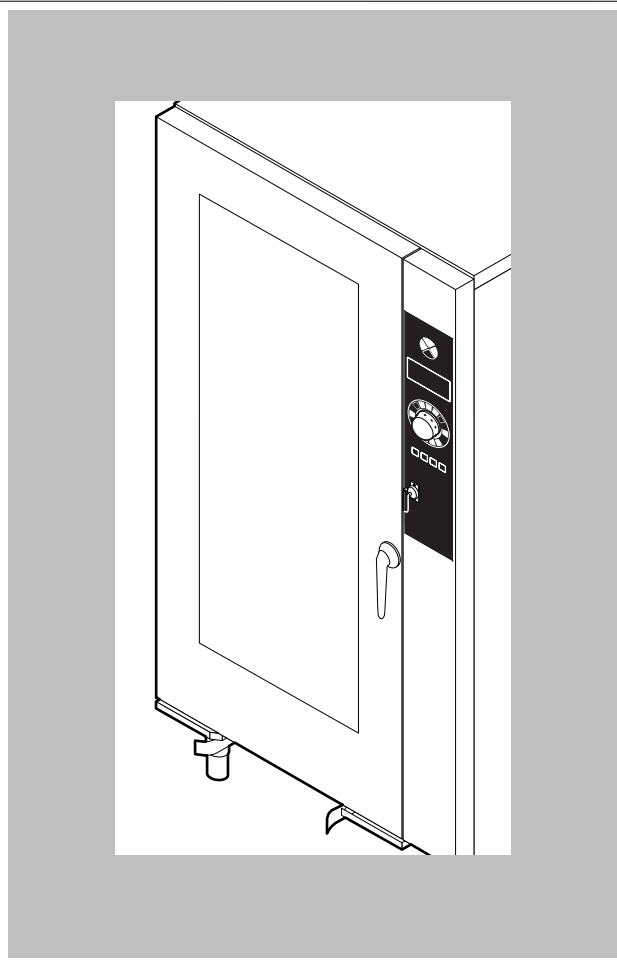


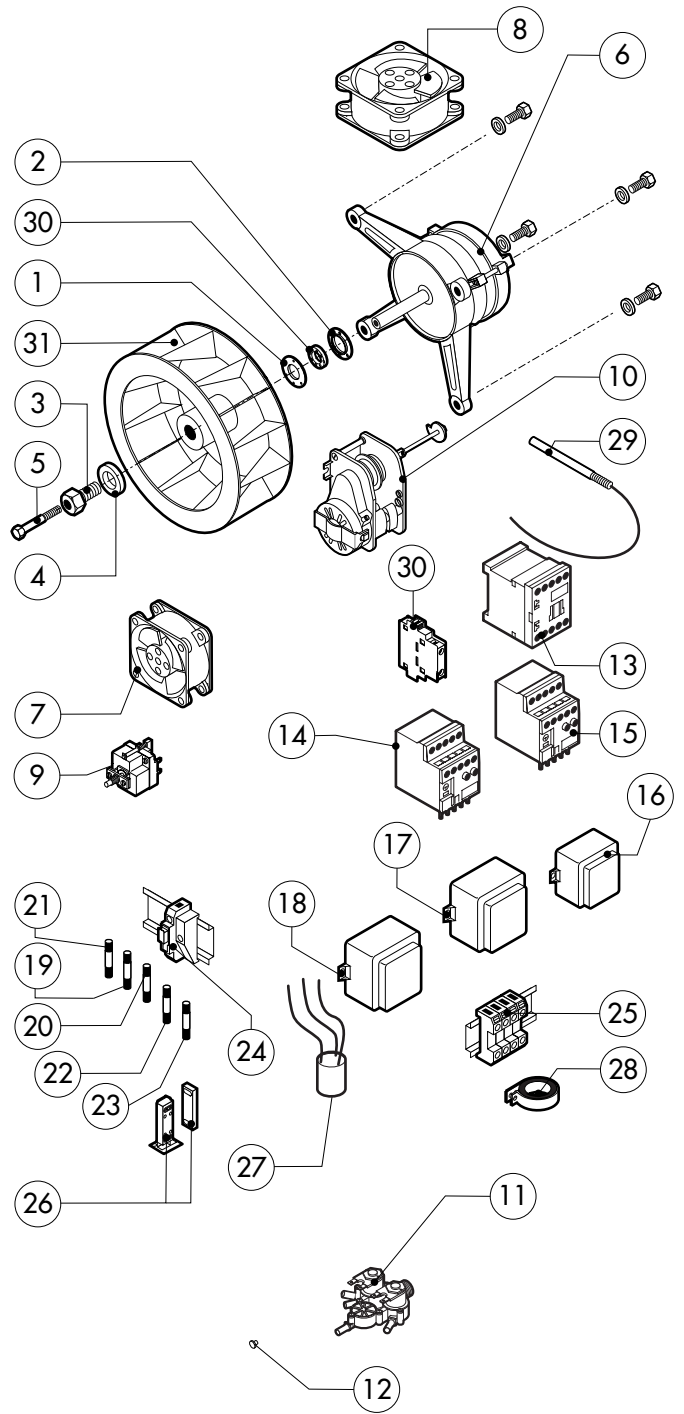
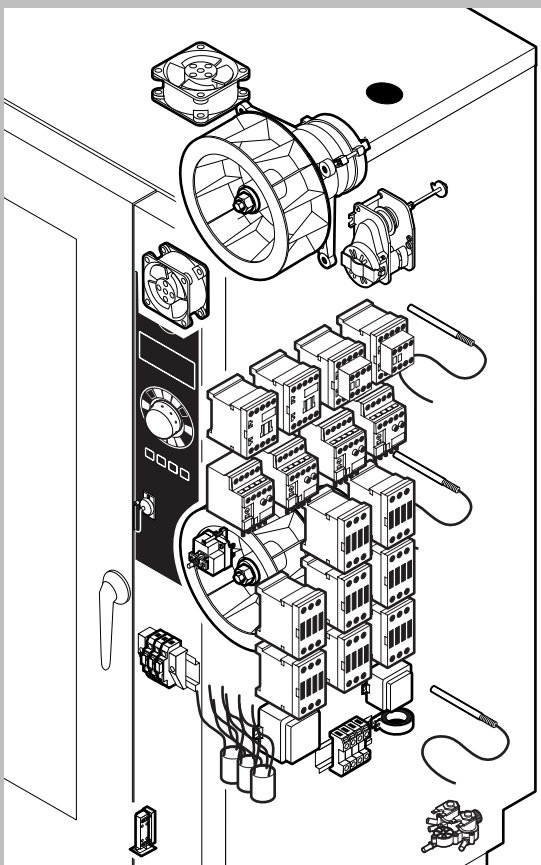
| POS. | CODE | PIECES | DESCRIPTION |
|------|-----------|--------|---|
| 1 | R11100120 | 1 | DOOR ASSEMBLY |
| 2 | R11205251 | 1 | CONTROL PANEL |
| 3 | R11201970 | 2 | SPRITZER EXTENSION |
| 4 | R11208750 | 2 | SPRITZER UNION |
| 5 | R11210921 | 1 | COOKING CABINET ASSEMBLY |
| 6 | R11210930 | 1 | WASHING SYSTEM COOKING CABINET ASSEMBLY |
| 7 | R11210710 | 1 | FAN GUARD PANEL ASSEMBLY |
| 8 | R11205321 | 1 | RIGHT SIDE PANEL |
| 9 | R11205311 | 1 | LEFT SIDE PANEL |
| 10 | R11411350 | 1 | REAR PANEL |
| 11 | R11211040 | 1 | COVER PANEL |
| 12 | R58003100 | 2 | FAN GUARD FASTENING SCREW |
| 13 | R70044130 | 1 | FRONT GASKET |
| 14 | R75300090 | 2 | FAN GUARD GRID Ø 350 |
| 15 | R69070020 | 4 | FOOT 1"1/2x1 30 |
| 16 | R69090090 | 2 | WHEEL |
| 17 | R69090100 | 2 | WHEEL WITH BRAKE |
| 18 | R11210800 | 1 | HANDLE FOR TROLLEY |
| 19 | R11204670 | 1 | TRAY FOR TROLLEY |

| POS. | CODE | PIECES | DESCRIPTION |
|------|------|--------|-------------|
| | | | |
| | | | |
| | | | |
| | | | |
| | | | |
| | | | |
| | | | |
| | | | |
| | | | |
| | | | |
| | | | |
| | | | |
| | | | |
| | | | |



| POS. | CODE | PIECES | DESCRIPTION |
|------|-----------|--------|--------------------------------|
| 1 | R11100181 | 1 | DOOR |
| 2 | R11205361 | 1 | INNER DOOR PANEL |
| 3 | R11100150 | 1 | INNER DOOR GLASS |
| 4 | R70044300 | 1 | GASKET FOR TROLLEY(0,7MT) |
| 5 | R58001760 | 2 | INNER GLASS SOLID HINGE |
| 6 | R58001770 | 2 | INNER GLASS HINGE PIN |
| 7 | R58001780 | 2 | INNER GLASS CATCH KIT |
| 8 | R11411860 | 2 | "C" PROFILE |
| 9 | R11205390 | 1 | LOWER DOOR HINGE WITH RETAINER |
| 10 | R58002540 | 1 | DOOR PIVOT SUNK KEY |
| 11 | R58002550 | 1 | DOOR RETAINER GUIDE SHOE |
| 12 | R58002560 | 1 | SCREW FOR LOWER DOOR HINGE |
| 13 | R58002570 | 1 | WASHER Ø 30/15x3 |
| 14 | R61620091 | 16 | BELLEVILLE WASHER Ø 14/6.4 |
| 15 | R11200560 | 1 | UPPER DOOR HINGE |
| 16 | R58002150 | 1 | HINGE PIN |
| 17 | R58004050 | 1 | NUT FOR UPPER DOOR HINGE |
| 18 | R11411520 | 1 | UPPER SQUARE FOR DOOR ROD |
| 19 | R11205400 | 1 | LOWER SQUARE FOR DOOR ROD |
| 20 | R10207680 | 2 | DOOR ROD ADJUSTABLE PLATE |
| 21 | R70050100 | 9 | GLASS SILICON SPACERS |
| 22 | R70044160 | 1 | GLASS GASKET (3,72MT) |

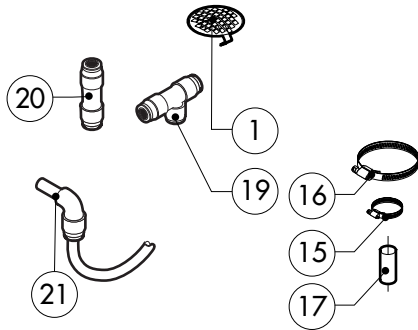
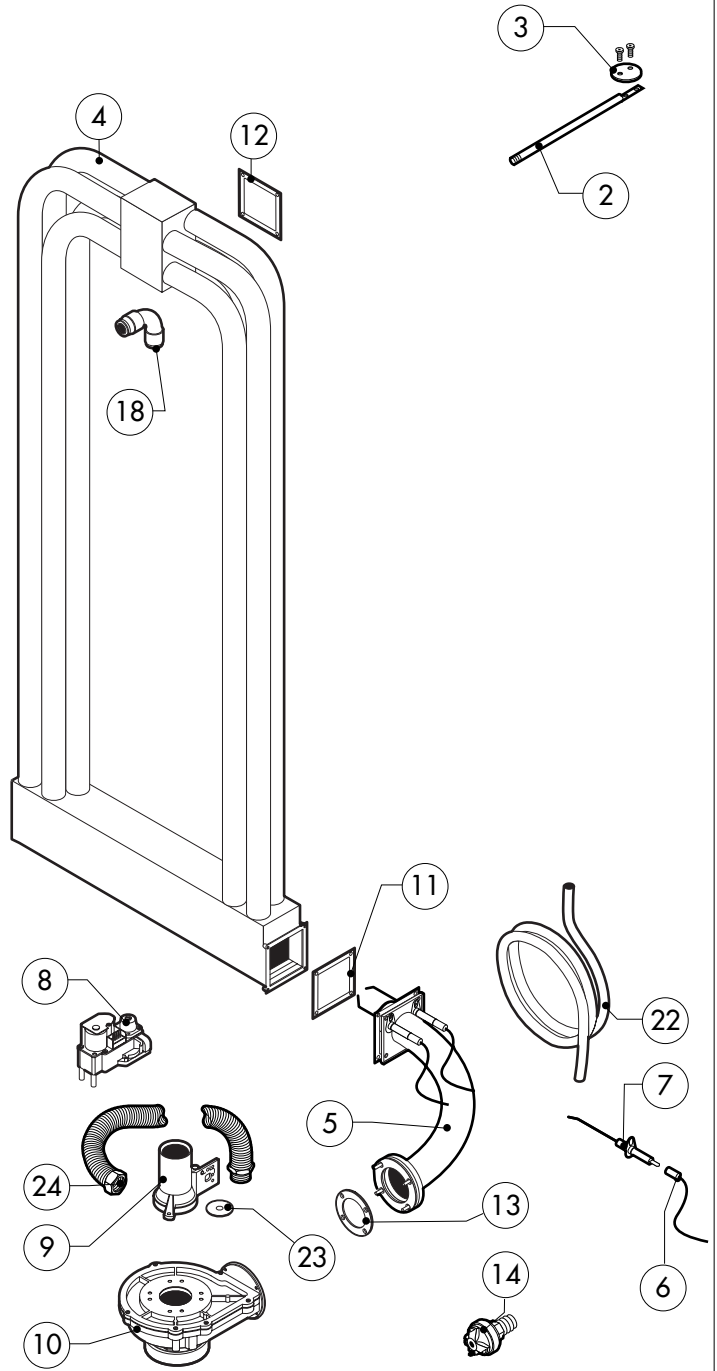
| POS. | CODE | PIECES | DESCRIPTION |
|------|-----------|--------|--------------------------|
| 23 | R66110320 | 1 | DOOR LAMPS CABLE SET |
| 24 | R11401440 | 2 | LAMP COVER |
| 25 | R71500150 | 2 | GLASS LAMP |
| 26 | R70044200 | 2 | GLASS LAMP |
| 27 | R11401450 | 2 | GLASS HOLDER LAMP FLANGE |
| 28 | R65270020 | 2 | LIGHT 20W 12V G4 |
| 29 | R65270450 | 2 | LIGHT SOCKET |
| 30 | R65260750 | 1 | LAMPS CONTACT BLOCK |
| 31 | R66110300 | 1 | LAMPS CONTACT CABLE SET |
| 32 | R11100310 | 1 | DOOR HANDLE ASSEMBLY |
| 33 | R61090052 | 1 | GRUB SCREW M6x16 |
| 34 | R69010600 | 1 | DOOR HANDLE |
| 35 | R69010610 | 1 | HANDLE |
| 36 | R61030601 | 1 | CYLINDRICAL HEAD SCREW |
| 37 | R11205340 | 1 | DOOR HANDLE PIN |
| 38 | R03200970 | 1 | DOOR LOCK REAR FLANGE |
| 39 | R58004781 | 1 | DOOR HANDLE HOOK |
| 40 | R61040272 | 1 | DOOR HANDLE HOOK SCREW |
| 41 | R61420021 | 1 | ELASTIC WASHER |
| 42 | R11205381 | 1 | LOWER DOOR ROD |
| 43 | R11205370 | 1 | UPPER DOOR ROD |



| POS. | CODE | PIECES | DESCRIPTION |
|------|------------|--------|--|
| 1 | R58003840 | 2 | MOTOR GASKET BRASS FLANGE |
| 2 | R58003850 | 2 | MOTOR GASKET BRASS COUNTER FLANGE |
| 3 | R58004000 | 2 | FAN SCREW M12x1.5 SX |
| 4 | R58004010 | 2 | FAN WASHER Ø 30/12.5 |
| 5 | R61020562 | 2 | FAN SCREW TE A2 M6x55 |
| 6 | *R65040520 | 2 | MOTOR 055/015 KW KIT |
| 7 | R65060050 | 1 | COMPONENTS VENTILATION MOTOR Ø 120 |
| 8 | R65060060 | 1 | COMPONENTS VENTILATION MOTOR Ø 150 |
| 9 | R65070350 | 1 | CHAMBER SAFETY THERMOSTAT |
| 10 | R65095000 | 1 | DAMPER SYSTEM |
| 11 | R65110240 | 1 | SOLENOID VALVE 220V 50HZ |
| 12 | R65110510 | 2 | 15 LT/H WATER FLOW REDUCER |
| 13 | *R65140380 | 4 | CONTACTOR 3RT1016-1AP02 240V |
| 14 | *R65160570 | 2 | THERMIC PROTECTION 3RU1116-0JB0 0,7-1A |
| 15 | *R65160620 | 2 | THERMIC PROTECTION 3RU1116-1BB0 1,4-2,0A |
| 16 | R65180420 | 1 | TRANSFORMER 20VA |
| 17 | R65180430 | 1 | TRANSFORMER 40VA |
| 18 | R65180770 | 1 | TRANSFORMER 50VA |
| 19 | R65200086 | 1 | FUSE 0.125A (T) |

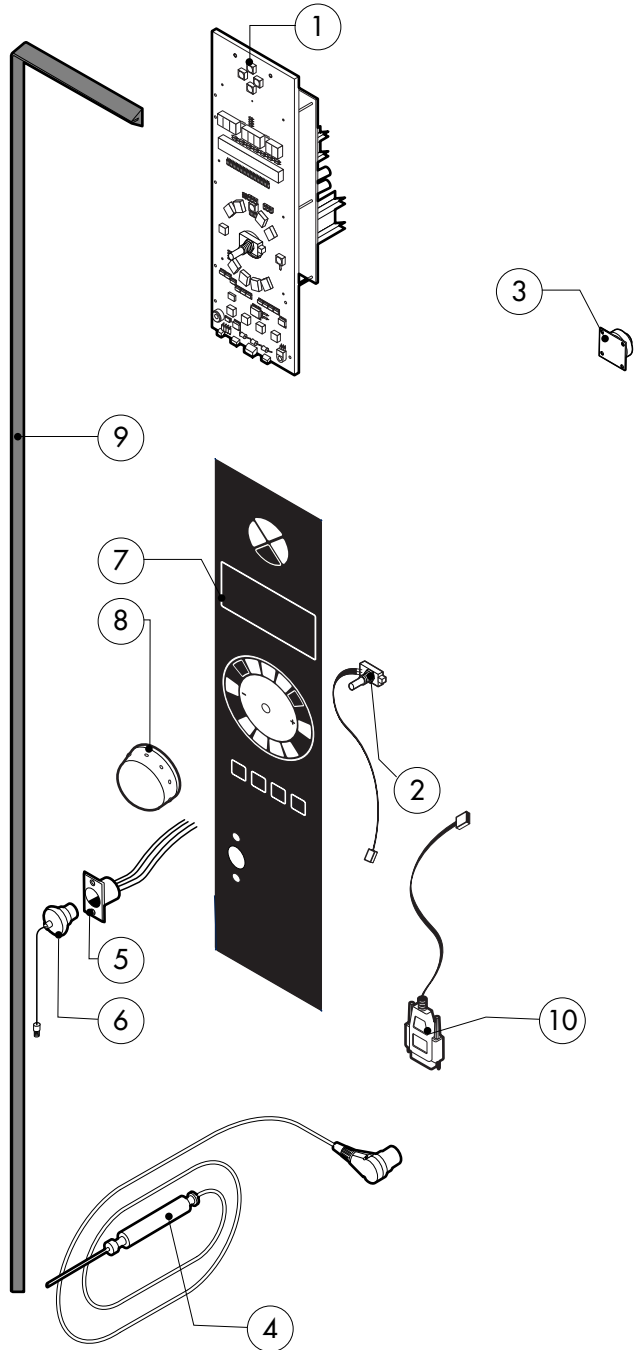
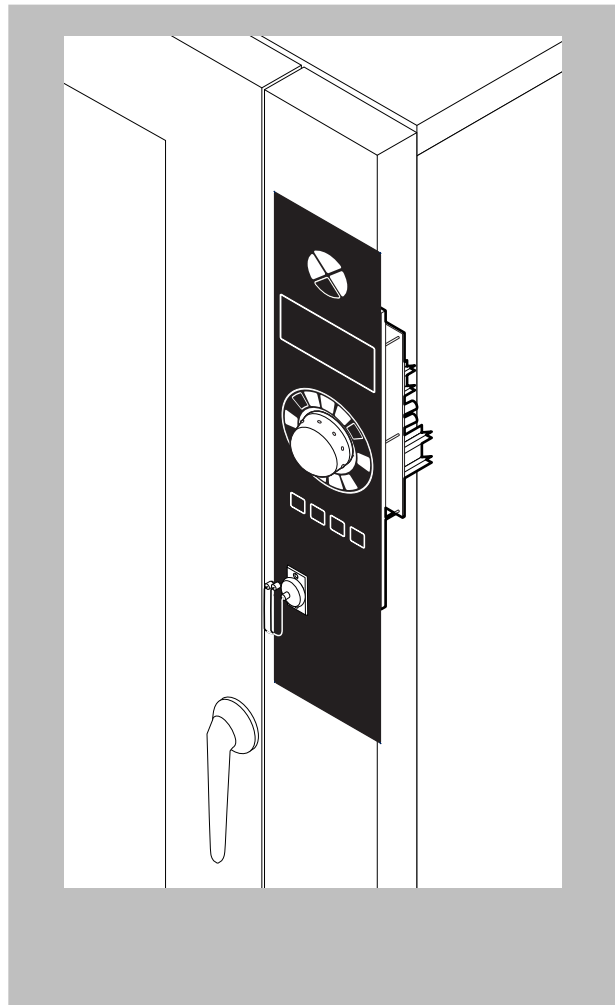
| POS. | CODE | PIECES | DESCRIPTION |
|------|------------|--------|--------------------------------|
| 20 | R65200200 | 1 | FUSE 2A |
| 21 | R65200150 | 1 | FUSE 1A |
| 22 | R65200040 | 1 | FUSE 0.500A (T) |
| 23 | R65200040 | 1 | FUSE 0.25A (T) |
| 24 | R65210020 | 5 | FUSE CARRIER |
| 25 | R65220090 | 1 | TERMINAL BOARD |
| 26 | R65265100 | 1 | DOOR SWITCH |
| 27 | *R65280200 | 3 | INTERFERENCE SUPPRESSOR |
| 28 | *R65280450 | 1 | FERRITE |
| 29 | R65325000 | 1 | PROBE PT100 |
| 30 | R70020050 | 2 | MOTOR GASKET |
| 31 | *R75400440 | 2 | FAN Ø 350x114/12 50HZ P.D. KIT |

*COMPONENT SUBMITTED TO CHANGEMENTS CAUSED BY TENSION DIFFERENT FROM THE STANDARD (3IN AC400V 50HZ)



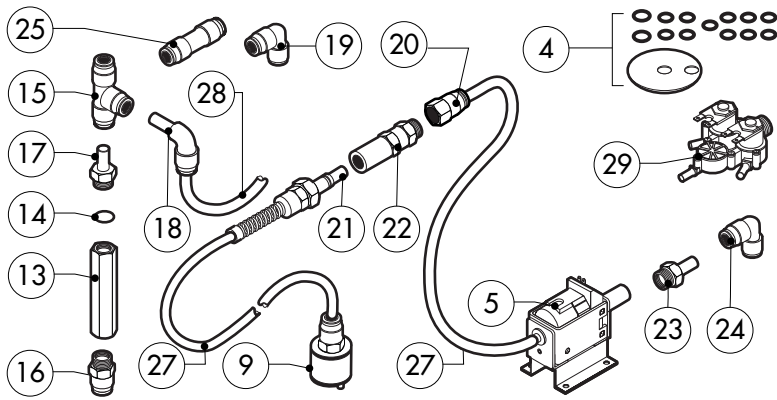
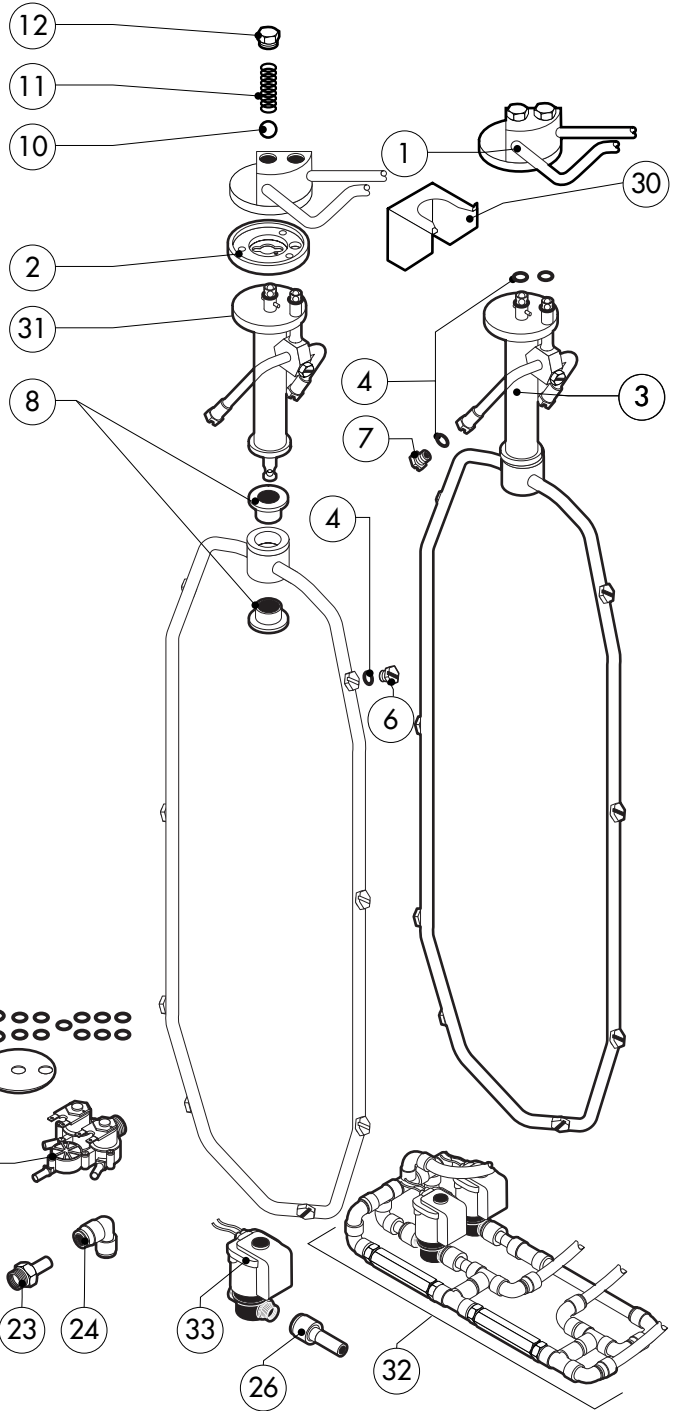
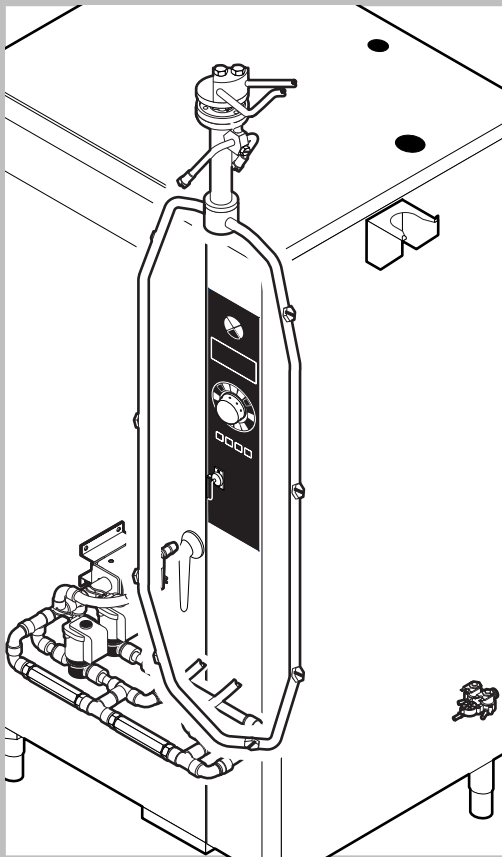
| POS. | CODE | PIECES | DESCRIPTION |
|------|-----------|--------|---|
| 1 | R10201710 | 1 | DRAIN FILTER |
| 2 | R58002340 | 1 | CHAMBER VENT ROD |
| 3 | R11417340 | 1 | CHAMBER VENT PLATE Ø 94 |
| 4 | R11208280 | 1 | HEAT EXCHANGER ACCESSORIES INCLUDED |
| 5 | R11205790 | 1 | BURNER ASSEMBLY |
| 6 | R66110370 | 1 | FLAME IGNITION CABLE/FLAME SENSOR CABLE |
| 7 | R63050110 | 2 | IGNITOR |
| 8 | R63020170 | 1 | GAS SOLENOID VALVE |
| 9 | R63120030 | 1 | VENTURI TUBE |
| 10 | R63130010 | 1 | GAS BURNER FAN MOTOR |
| 11 | R63140020 | 2 | BURNER/HEAT EXCHANGER GASKET |
| 12 | R63140060 | 2 | BURNER/HEAT EXCHANGER GASKET |
| 13 | R63140050 | 1 | BURNER/FAN MOTOR GASKET |
| 14 | R63070010 | 1 | GAS SAFETY PRESSURE SWITCH PG 901.61 |
| 15 | R61630011 | 2 | METAL CLAMPS 12-22/9 |
| 16 | R61630091 | 2 | METAL CLAMPS 140-160/9 |
| 17 | R70060080 | 1 | SILICON COUPLING Ø 13 |
| 18 | R62090478 | 4 | ELBOW MIDLING PIPE FITTING D.10 |
| 19 | R62090468 | 1 | "T" MIDLING PIPE FITTING D.10 |

| POS. | CODE | PIECES | DESCRIPTION |
|------|-----------|--------|---|
| 20 | R62090458 | 5 | STRAIGHT MIDLING PIPE FITTING D.10 |
| 21 | R62090528 | 2 | ELBOW PIPE FITTING (WITH TANG) 10 X 10 |
| 22 | R70070040 | 1 | PE D.10 MM X7 WATER FLEXIBLE PIPE (4 MT LONG) |
| 23 | R58004200 | 1 | ORIFICE (FOR VERSION LIQUID GAS) |
| 24 | R62180082 | 1 | GAS INLET FLEXIBLE PIPE |
| | | | |
| | | | |
| | | | |
| | | | |
| | | | |
| | | | |
| | | | |
| | | | |
| | | | |
| | | | |
| | | | |
| | | | |
| | | | |
| | | | |
| | | | |
| | | | |



| POS. | CODE | PIECES | DESCRIPTION |
|------|-----------|--------|---|
| 1 | R65301360 | 1 | CONTROL PANEL P.C. BOARD |
| 2 | R65301450 | 1 | FRONT PC BOARD ENCODER |
| 3 | R65301440 | 1 | PC BOARD BUZZER |
| 4 | R65321100 | 1 | CORE TEMPERATURE PROBE |
| 5 | R65321110 | 1 | CORE TEMPERATURE PROBE FEMALE CONNECTOR |
| 6 | R65321020 | 1 | COVER FOR FEMALE CONNECTOR |
| 7 | R67012900 | 1 | LAINOX PLATE |
| 8 | R69030250 | 1 | KNOB |
| 9 | R70044280 | 1 | CONTROL PANEL GASKET |
| 10 | R65301580 | 1 | PC BOARD SERIES CONNECTION |
| | | | |
| | | | |
| | | | |
| | | | |
| | | | |
| | | | |
| | | | |
| | | | |
| | | | |
| | | | |

| POS. | CODE | PIECES | DESCRIPTION |
|------|------|--------|-------------|
| | | | |
| | | | |
| | | | |
| | | | |
| | | | |
| | | | |
| | | | |
| | | | |
| | | | |
| | | | |
| | | | |
| | | | |
| | | | |
| | | | |
| | | | |
| | | | |
| | | | |
| | | | |
| | | | |
| | | | |
| | | | |



| POS. | CODE | PIECES | DESCRIPTION |
|------|-----------|--------|--|
| 1 | R11200881 | 1 | WASHING SYSTEM EXTERNAL ASSEMBLY |
| 2 | R58004960 | 1 | WASHING SYSTEM INNER FLANGE |
| 3 | R11100530 | 1 | WASHING DEVICE ASSEMBLY |
| 4 | R70045110 | 1 | GASKETS KIT |
| 5 | R65110600 | 1 | DETRGENT PUMP |
| 6 | R62210032 | 8 | 1,3 L/MIN RINSING JET |
| 7 | R62210042 | 3 | 0,56 L/MIN DETERGENT JET |
| 8 | R58004980 | 2 | WASHING DEVICE ROTATION BUSH |
| 9 | R65110650 | 1 | BOTTOM FILTER |
| 10 | R62220012 | 2 | SPHERA D.14 |
| 11 | R61620041 | 2 | SPRING |
| 12 | R58005000 | 2 | 1/2" MALE COVER |
| 13 | R65110640 | 2 | ANTI-BACK FLOW |
| 14 | R70010050 | 4 | OR GASKETS |
| 15 | R62090468 | 5 | "T" MIDLING PIPE FITTING D.10 |
| 16 | R62090508 | 1 | 10X1/4 STRAIGHT THREADED TERMINAL PIPE FITTING |
| 17 | R62090518 | 3 | 10X1/4 END SIDE PIPE FITTING (WITH TANG) |
| 18 | R62090528 | 10 | ELBOW PIPE FITTING (WITH TANG) 10 X 10 |
| 19 | R62090478 | 4 | ELBOW MIDLING PIPE FITTING D.10 |

| POS. | CODE | PIECES | DESCRIPTION |
|------|-----------|--------|--|
| 20 | R62090538 | 1 | 1/4" FEMALE STRAIGHT PIPE FITTING FOR D.8X6 PIPE |
| 21 | R62090482 | 1 | RAPID MALE PIPE FITTING |
| 22 | R62090492 | 1 | RAPID FEMALE PIPE FITTING |
| 23 | R62090608 | 2 | 8X1/8 END SIDE PIPE FITTING (WITH TANG) |
| 24 | R62090628 | 1 | 10-8 ELBOW REDUCTION |
| 25 | R62090458 | 2 | STRAIGHT MIDLING PIPE FITTING D.10 |
| 26 | R62090548 | 4 | 10-6 REDUCTION PIPE FITTING |
| 27 | R70070100 | 1 | PE D.8 MM X 6 DETERGENT FLEXIBLE PIPE |
| 28 | R70070040 | 1 | PE D.10 MM X7 WATER FLEXIBLE PIPE (4 MT LONG) |
| 29 | R65110240 | 1 | SOLENOID VALVE 220V 50HZ WITH FLOW REDUCER |
| 30 | R11402000 | 1 | WASHING DEVICE EXTERNAL HOLDER |
| 31 | R11100580 | 1 | TUBE DEVICE SUPPORT WASHING |
| 32 | R62300028 | 1 | ANTI-BACK FLOW DEVICE ASSEMBLY |
| 33 | R65110260 | 2 | SOLENOID VALVE D.6 220V 50HZ |