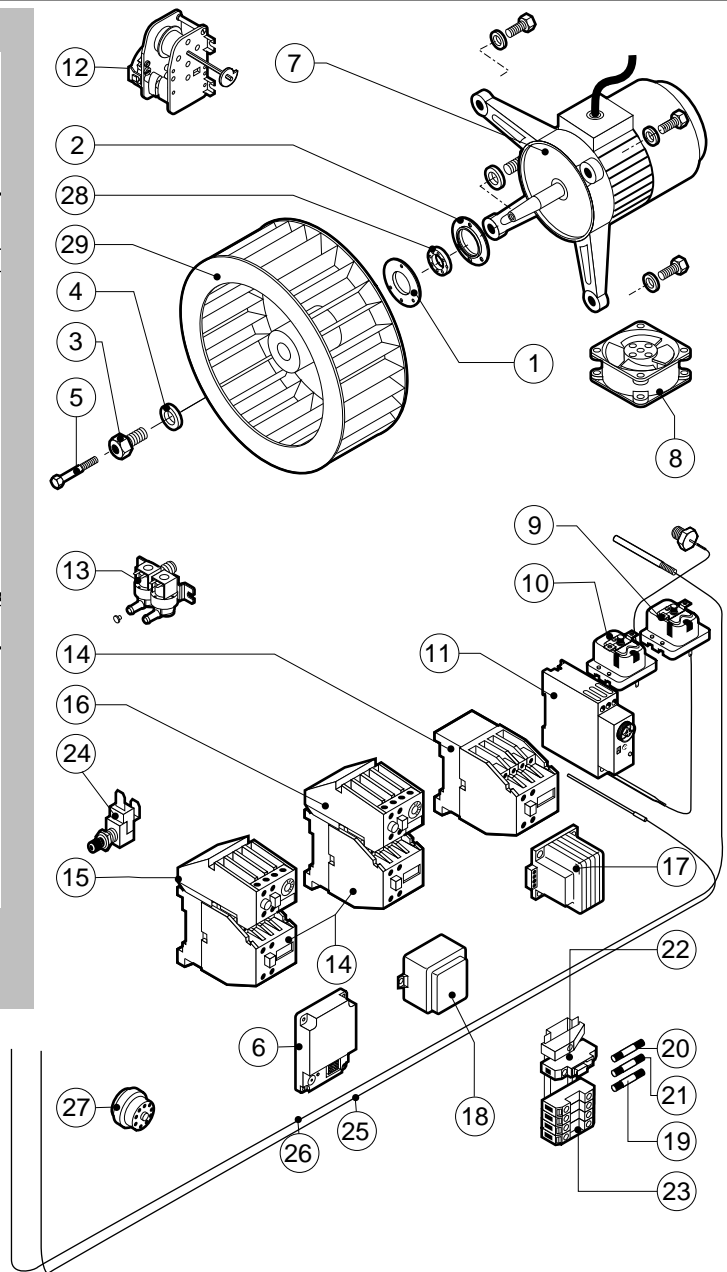
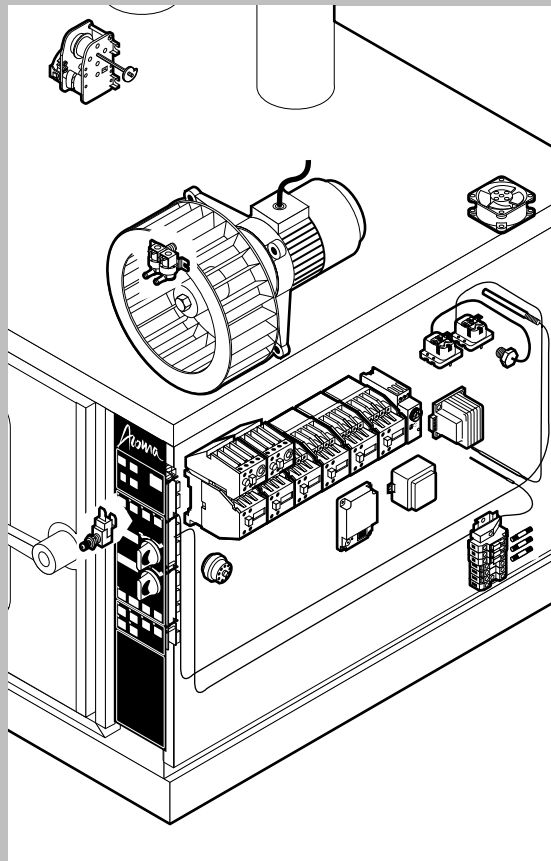


POS.	CODE	PIECES	DESCRIPTION
1	R10201290	1	UPPER DOOR HINGE
2	R12200630	1	LOWER DOOR HINGE
3	R12200810	1	FLANGED BUSH
4	R12200860	1	RIGHT GLASS FIXING BRACKET
5	R12200890	1	DOOR HANDLE
6	R12200900	1	FLANGED HANDLE BRACKET
7	R12202000	1	DOOR
8	R12202010	1	RIGHT LAMP COVER
9	R12202020	1	LEFT LAMP COVER
10	R12400880	1	LEFT GLASS FIXING BRACKET
11	R12400990	1	INNER DOOR PANEL
12	R58001920	1	DOOR HANDLE PIN
13	R58002150	1	HINGE PIN
14	R58002300	1	DOOR HANDLE ROD
15	R58002320	1	PUSH ROD
16	R58002350	1	DOOR HANDLE PRONG PIN
17	R58002370	1	HANDLE LOCKING BOLT
18	R58004050	1	NUT FOR UPPER DOOR HINGE
19	R58004781	1	DOOR HANDLE HOOK

POS.	CODE	PIECES	DESCRIPTION
20	R58005050	1	DOOR HANDLE PRONG
21	R58006370	1	DOOR HANDLE HOOK SCREW
22	R61090562	1	GRUB SCREW M8x10
23	R61620012	1	DOOR HANDLE CATCH SPRING
24	R61620041	1	DOOR HANDLE BUTTON SPRING
25	R61620102	1	HANDLE RETURN SPRING
26	R65270020	2	LIGHT 20W 12V G4
27	R65270400	2	LIGHT SOCKET
28	R67011000	1	HANDLE INSERT BLUE
29	R69015030	1	DOOR HANDLE ASSEMBLY
30	R69031220	1	DOOR HANDLE PUSH BUTTON BLUE
31	R70042500	1	DOOR GASKET
32	R70042600	1	FRONT GLASS GASKET
33	R70042700	1	REAR GLASS GASKET
34	R71200020	1	DOOR GLASS
35	R71200180	1	DOOR GLASS GOLD/BLUE



POS.	CODE	PIECES	DESCRIPTION
1	R58003840	1	MOTOR GASKET BRASS FLANGE
2	R58003850	1	MOTOR GASKET BRASS COUNTER FLANGE
3	R58004000	1	FAN SCREW M12x1.5 SX
4	R58004010	1	FAN WASHER Ø 30/12.5
5	R61020562	1	FAN SCREW TE A2 M6x55
6	R63060080	1	BURNER IGNITION PANEL WR 50A72-214
7	R65040051	1	MOTOR HP 1/0.3 KIT
8	R65060010	1	COMPONENTS VENTILATION MOTOR Ø 80
9	R65070060	1	STEAM GENERATOR SAFETY THERMOSTAT
10	R65070070	1	CHAMBER SAFETY THERMOSTAT
11	R65090450	1	IGNITION DELAY TIMER
12	R65095000	1	DAMPER SYSTEM
13	R65115000	1	SOLENOID VALVE 220V 50HZ WITH FLOW REDUCER
14	R65140150	6	CONTACTOR 3TF4011-OAUO 240V
15	R65160110	1	THERMIC PROTECTION 3UA5000-0J 0.63-1A
16	R65160120	1	THERMIC PROTECTION 3UA5000-1C 1.6-2.5A
17	R65180430	1	TRANSFORMER 40VA
18	R65180650	1	TRANSFORMER 23VA
19	R65200200	1	FUSE 2A

POS.	CODE	PIECES	DESCRIPTION
20	R65200320	1	FUSE 0.2A (T)
21	R65200350	1	FUSE 0.4A (T)
22	R65210020	3	FUSE CARRIER
23	R65220090	1	TERMINAL BOARD
24	R65260530	1	DOOR SWITCH
25	R65320250	1	STEAM GENERATOR PREHEATING PROBE
26	R65325000	1	CAVITY PROBE PT100
27	R65330040	1	BUZZER
28	R70020050	1	MOTOR GASKET
29	R75400250	1	FAN Ø 270x120/24 50HZ P.D. KIT



