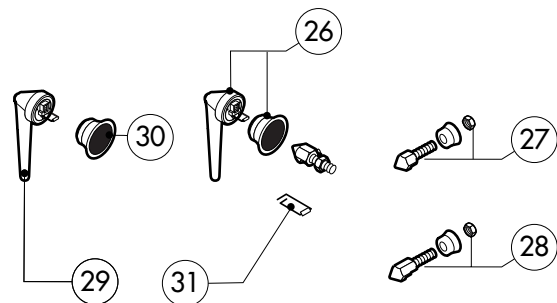
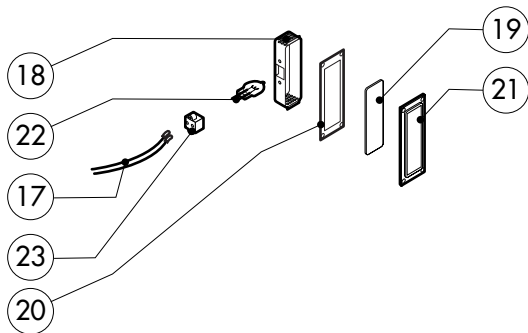
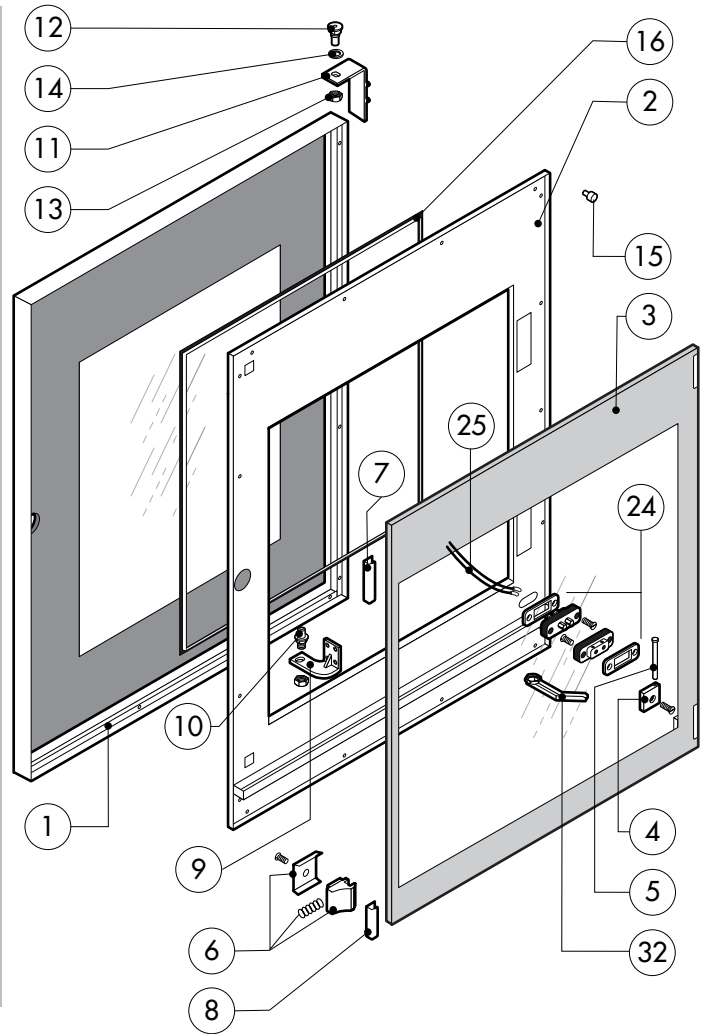
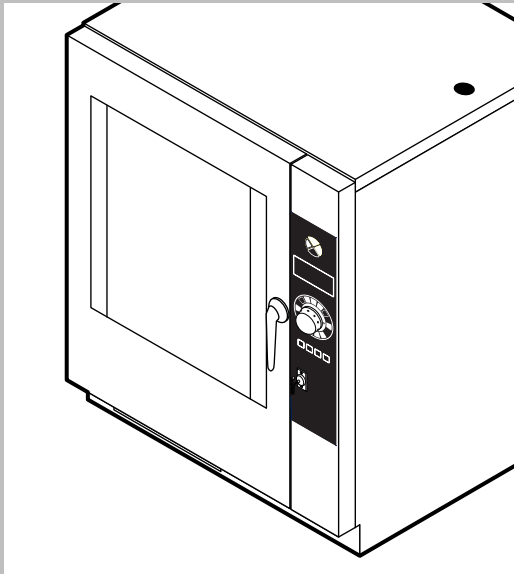


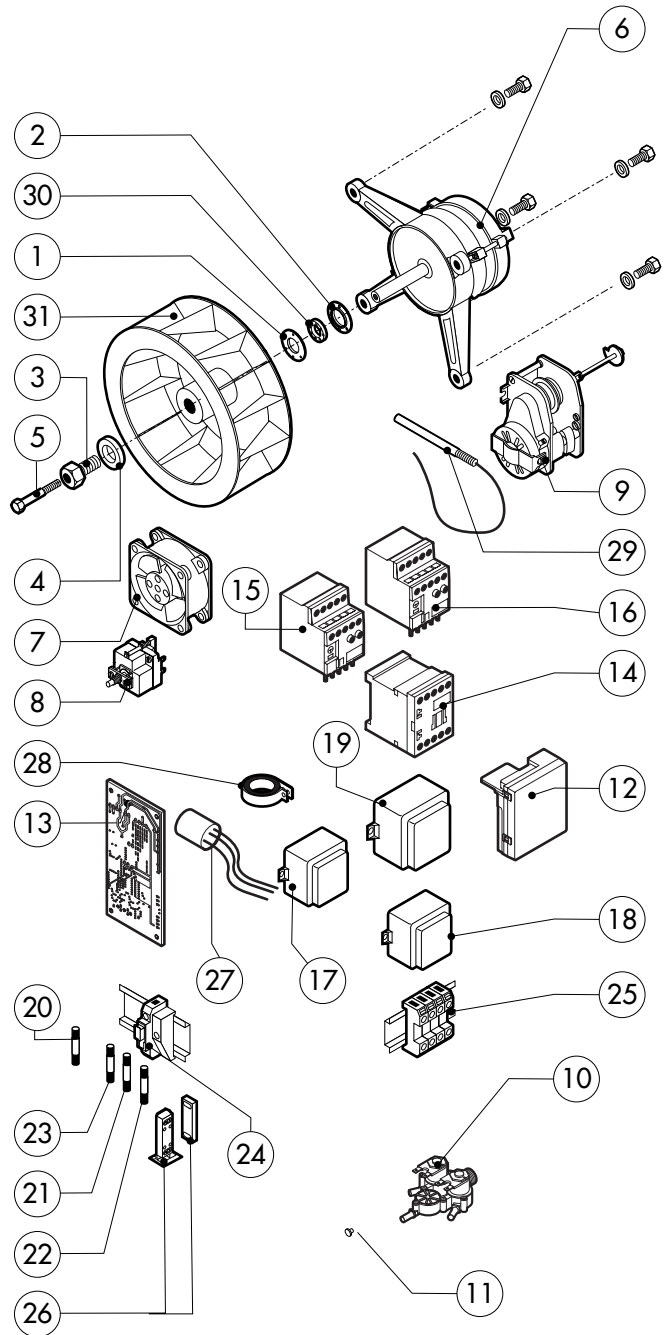
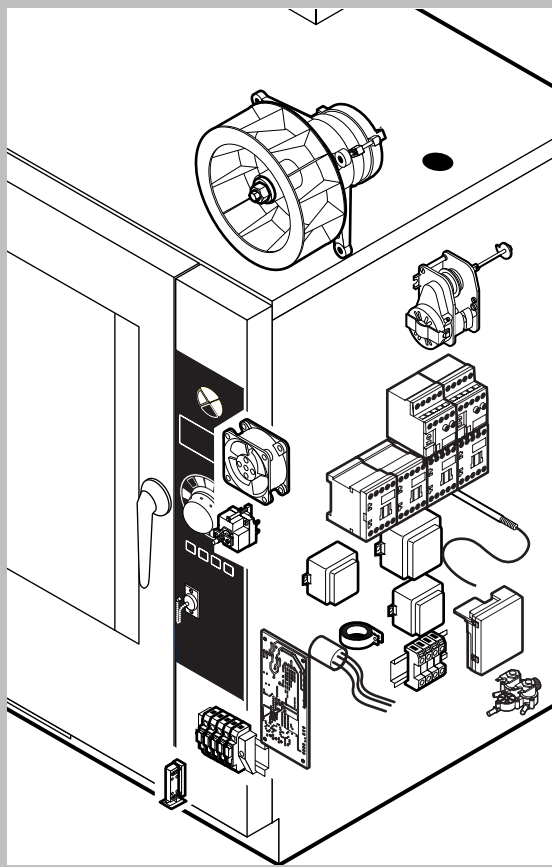
POS.	CODE	PIECES	DESCRIPTION
1	R11101110	1	DOOR ASSEMBLY UNTIL N°----CRXXXXXX0
	R11101090	1	DOOR ASSEMBLY FROM N°----CRXXXXXX1
2	R11209900	1	CONTROL PANEL UNTIL N°----CRXXXXXX0
	R11202020	1	CONTROL PANEL FROM N°----CRXXXXXX1
3	R11201970	1	SPRITZER EXTENSION
4	R11208750	1	SPRITZER UNION
5	R11210111	1	COOKING CABINET ASSEMBLY
6	R11210120	1	WASHING SYSTEM COOKING CABINET ASSEMBLY
7	R11209600	1	FAN GUARD PANEL ASSEMBLY
8	R11414880	1	RIGHT SIDE PANEL UNTIL N°----CRXXXXXX0
	R11202130	1	RIGHT SIDE PANEL FROM N°----CRXXXXXX1
9	R11414890	1	LEFT SIDE PANEL UNTIL N°----CRXXXXXX0
	R11202140	1	LEFT SIDE PANEL FROM N°----CRXXXXXX1
10	R11414900	1	REAR PANEL UNTIL N°----CRXXXXXX0
	R11403990	1	REAR PANEL FROM N°----CRXXXXXX1
11	R11209150	1	COVER PANEL UNTIL N°----CRXXXXXX0
	R11209160	1	COVER PANEL FROM N°----CRXXXXXX1
12	R58003100	2	FAN GUARD FASTENING SCREW
13	R70044110	1	FRONT GASKET

POS.	CODE	PIECES	DESCRIPTION
14	R75300090	1	FAN GUARD GRID Ø 350
15	R11201870	1	REMOVABLE RACK DX
16	R11201880	1	REMOVABLE RACK SX



POS.	CODE	PIECES	DESCRIPTION
1	R11209700	1	DOOR UNTIL N°----CRXXXXXX0
	R11101380	1	DOOR FROM N°----CRXXXXXX1
2	R11207360	1	INNER DOOR PANEL UNTIL N°----CRXXXXXX0
	R11202160	1	INNER DOOR PANEL FROM N°----CRXXXXXX1
3	R11100140	1	INNER DOOR GLASS
4	R58001760	2	INNER GLASS SOLID HINGE
5	R58001770	2	INNER GLASS HINGE PIN
6	R58001780	2	INNER GLASS CATCH KIT
7	R11401340	1	TOP "C" PROFILE
8	R11401360	1	LOWER "C" PROFILE
9	R11207250	1	LOWER DOOR HINGE UNTIL N°----CRXXXXXX0
	R11207240	1	LOWER DOOR HINGE FROM N°----CRXXXXXX1
10	R58002520	1	LOWER HINGE PIN UNTIL N°----CRXXXXXX0
	R58002670	1	LOWER HINGE PIN FROM N°----CRXXXXXX1
11	R11200560	1	UPPER DOOR HINGE
12	R58002150	1	HINGE PIN
13	R58004050	2	NUT FOR UPPER DOOR HINGE
14	R10401710	1	WASHER FOR UPPER DOOR HINGE
15	R70050100	6	GLASS SILICON SPACERS

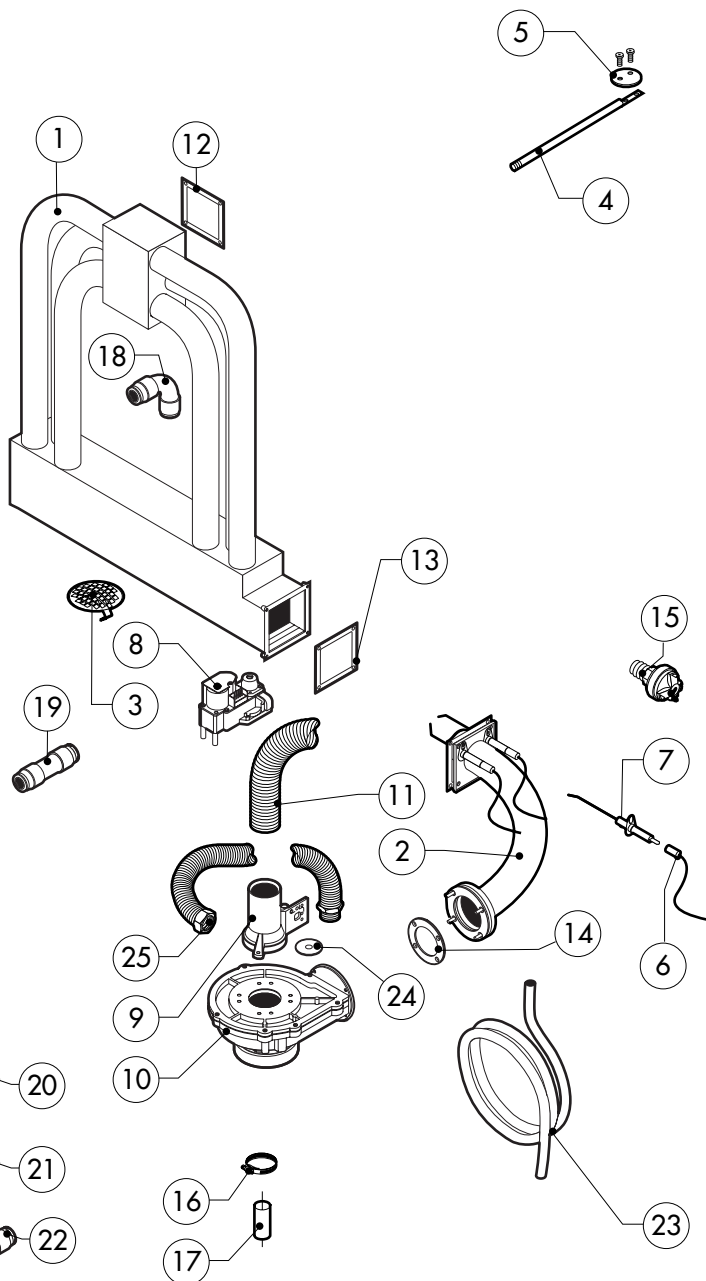
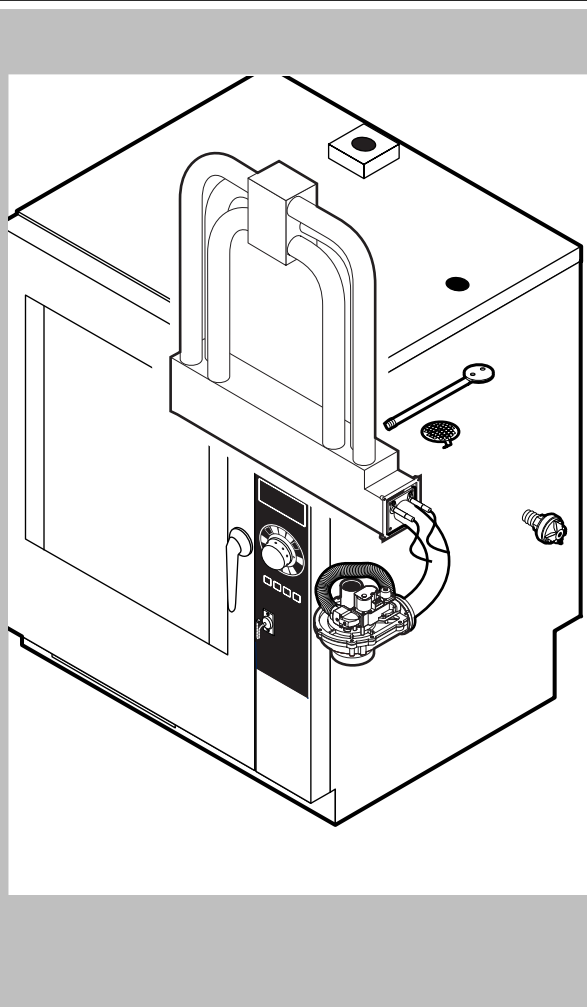
POS.	CODE	PIECES	DESCRIPTION
16	R70044150	1	GLASS GASKET
17	R66110320	1	DOOR LAMPS CABLE SET
18	R11401440	2	LAMP COVER
19	R71500150	2	GLASS LAMP
20	R70044200	2	LAMP GASKET
21	R11401450	2	GLASS HOLDER LAMP FLANGE
22	R65270020	2	LIGHT 20W 12V G4
23	R65270450	2	LIGHT SOCKET
24	R65260750	1	LAMPS CONTACT BLOCK
25	R66110300	1	LAMPS CONTACT CABLE SET
26	R11100300	1	DOOR HANDLE ASSEMBLY
27	R69010260	1	DOOR LATCH 1 STEP
28	R69010270	1	DOOR LATCH 2 STEP
29	R69010250	1	DOOR CATCH KIT
30	R69010630	1	INNER DOOR CATCH PLASTIC COVER
31	R61620132	1	PRONG FLANGE
32	R11200520	1	DOOR DRIP TRAY DRAINAGE



POS.	CODE	PIECES	DESCRIPTION
1	R58003840	1	MOTOR GASKET BRASS FLANGE
2	R58003850	1	MOTOR GASKET BRASS COUNTER FLANGE
3	R58004000	1	FAN SCREW M12x1.5 SX
4	R58004010	1	FAN WASHER Ø 30/12.5
5	R61020562	1	FAN SCREW TE A2 M6x55
6	*R65040520	1	MOTOR 055/015 KW KIT
7	R65060050	2	COMPONENTS VENTILATION MOTOR Ø 120
8	R65070350	1	CHAMBER SAFETY THERMOSTAT
9	R65095000	1	DAMPER SYSTEM
10	R65110240	1	SOLENOID VALVE 220V 50HZ
11	R65110510	1	15 LT/H WATER FLOW REDUCER
12	R63060120	1	BURNER IGNITION PANEL
13	R63130020	1	GAS BURNER FAN MOTOR PCBOARD
14	*R65140550	4	CONTACTOR DIL 00 M-01 4KW
15	*R65160420	1	THERMIC PROTECTION Z 00-1,6 (1-1,6)
16	*R65160450	1	THERMIC PROTECTION Z 00-1,0 (0,6-1,0)
17	R65180420	1	TRANSFORMER 20VA
18	R65180430	1	TRANSFORMER 40VA
19	R65180770	1	TRANSFORMER 50VA
20	R65200200	1	FUSE 2A
21	R65200120	1	FUSE 1A

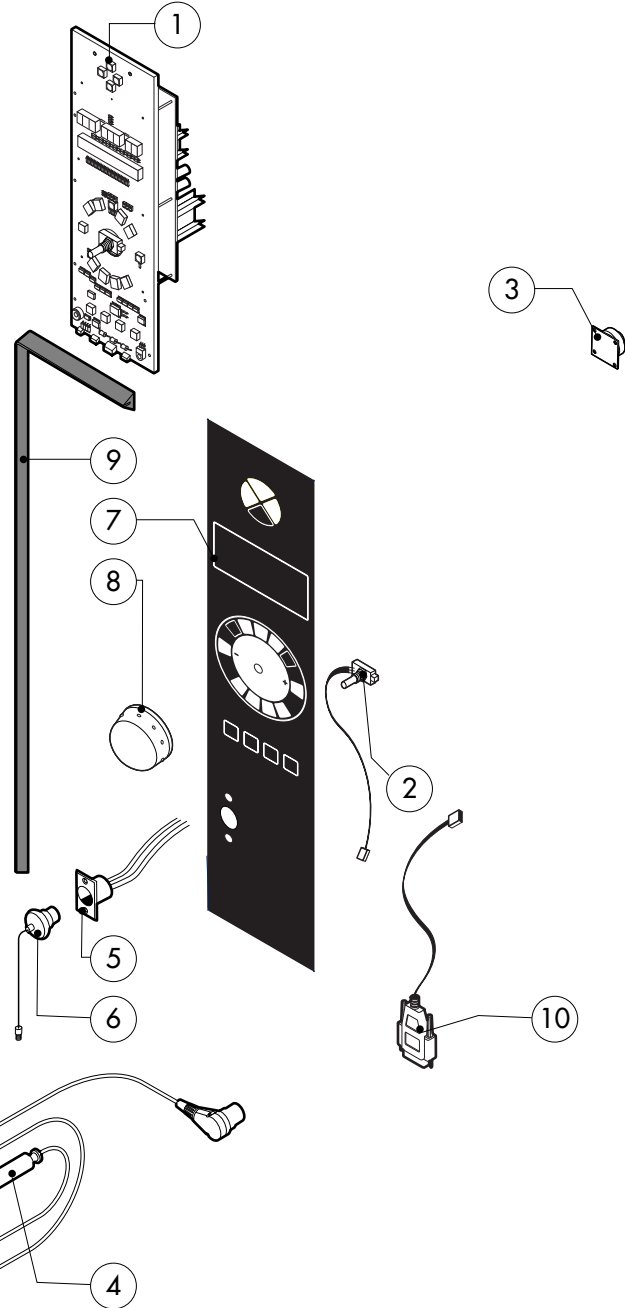
POS.	CODE	PIECES	DESCRIPTION
22	R65200040	1	FUSE 0.500A (T)
23	R65200040	1	FUSE 0.25A (T)
24	R65210020	4	FUSE CARRIER
25	R65220080	1	TERMINAL BOARD
26	R65265100	1	DOOR SWITCH
27	*R65280200	3	INTERFERENCE SUPPRESSOR
28	*R65280450	1	FERRITE
29	R65320150	1	PROBE PT100
30	R70020050	1	MOTOR GASKET
31	*R75400440	1	FAN Ø 350x114/12 50HZ P.D. KIT

*COMPONENT SUBMITTED TO CHANGEMENTS CAUSED BY TENSION DIFFERENT FROM THE STANDARD (AC 230V 50HZ)



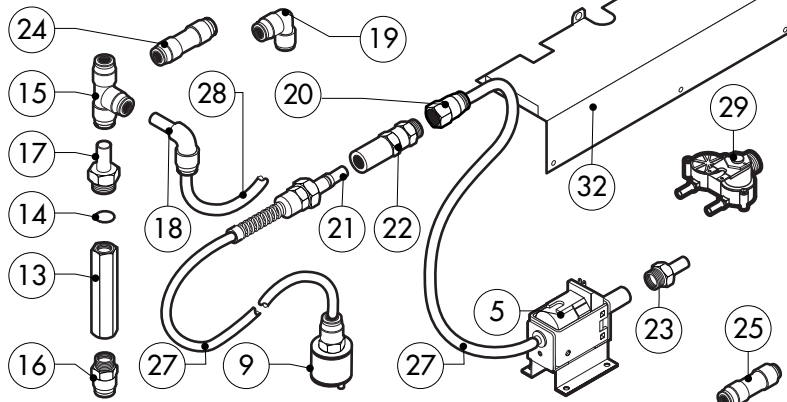
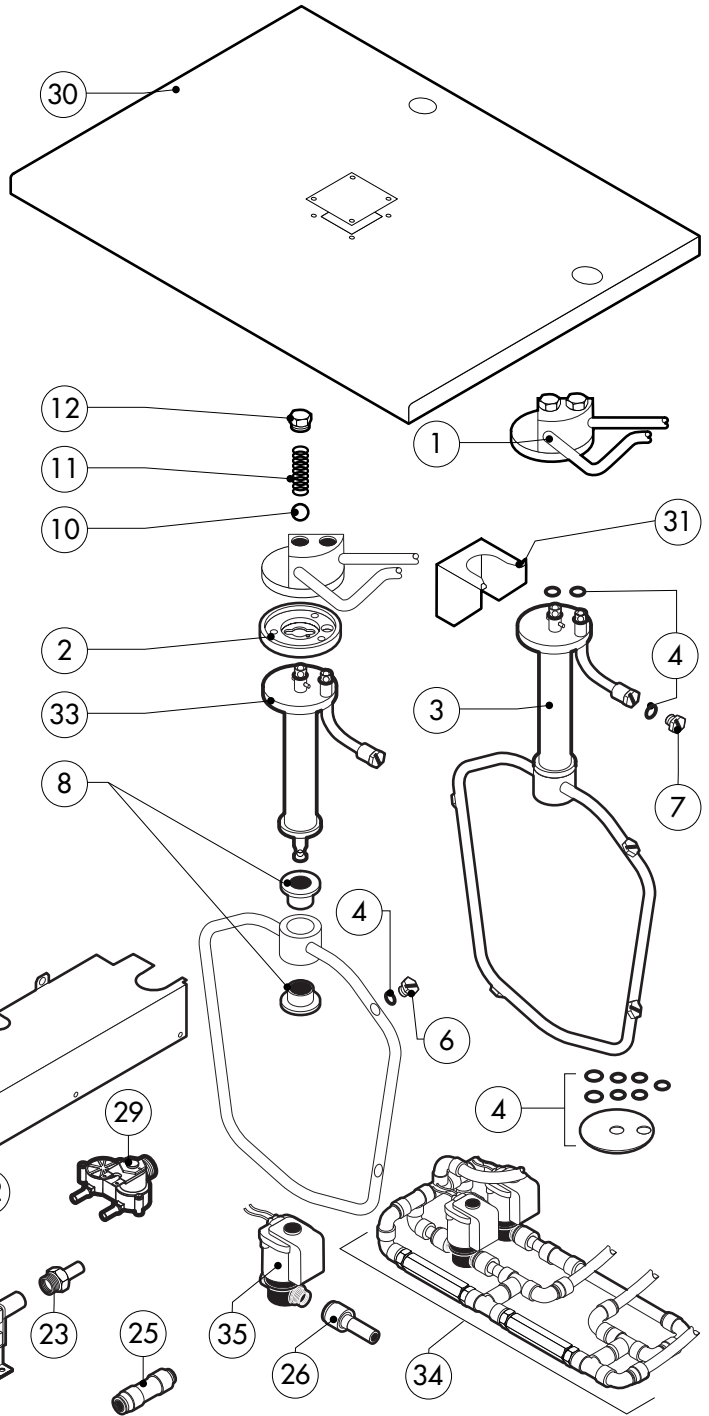
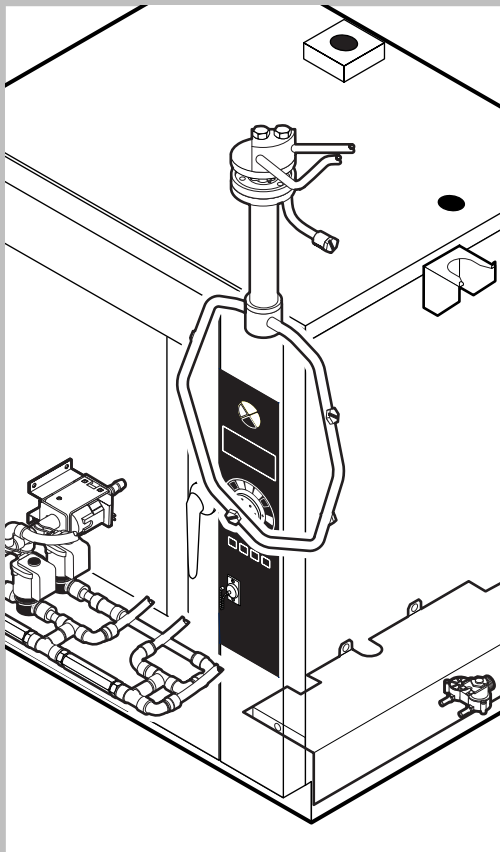
POS.	CODE	PIECES	DESCRIPTION
1	R11207580	1	HEAT EXCHANGER ACCESSORIES INCLUDED
2	R11202480	1	BURNER ASSEMBLY
3	R10201710	1	DRAIN FILTER
4	R58002340	1	CHAMBER VENT ROD
5	R11417340	1	CHAMBER VENT PLATE Ø 94
6	R66110370	1	FLAME IGNITION CABLE/FLAME SENSOR CABLE
7	R63050110	2	IGNITOR
8	R63020170	1	GAS SOLENOID VALVE
9	R63120010	1	VENTURI TUBE
10	R63130010	1	GAS BURNER FAN MOTOR
11	R77700046	1	AIR INLET FLEXIBLE PIPE
12	R63140020	2	STEAM GENERATOR/HEAT EXCHANGER GASKET
13	R63140060	2	BURNER/HEAT EXCHANGER GASKET
14	R63140050	1	BURNER/FAN MOTOR GASKET
15	R63070010	1	GAS SAFETY PRESSURE SWITCH PG 901.61
16	R61630011	2	METAL CLAMPS 12-22/9
17	R70060080	1	SILICON COUPLING Ø 13
18	R62090478	6	ELBOW MIDLING PIPE FITTING D.10
19	R62090458	1	STRAIGHT MIDLING PIPE FITTING D.10

POS.	CODE	PIECES	DESCRIPTION
20	R62090508	1	10X1/4 STRAIGHT THREADED TERMINAL PIPE FITTING
21	R62030118	1	1/8"-1/4" FEMALE REDUCTION COUPLING
22	R63070050	1	WATER SAFETY PRESSURE SWITCH 1/8" 0,5-0,35 BAR
23	R70070060	1	PE D.10 MM X7 WATER FLEXIBLE PIPE (2 MT LONG)
24	R58004190	1	ORIFICE (FOR VERSION LIQUID GAS)
25	R62180082	1	GAS INLET FLEXIBLE PIPE



POS.	CODE	PIECES	DESCRIPTION
1	R65301360	1	CONTROL PANEL P.C. BOARD
2	R65301450	1	FRONT PC BOARD ENCODER
3	R65301440	1	PC BOARD BUZZER
4	R65321100	1	CORE TEMPERATURE PROBE
5	R65321110	1	CORE TEMPERATURE PROBE FEMALE CONNECTOR
6	R65321020	1	COVER FOR FEMALE CONNECTOR
7	R67013550	1	PLATE
8	R69030250	1	KNOB
9	R70044260	1	CONTROL PANEL GASKET
10	R65301580	1	PC BOARD SERIES CONNECTION

POS.	CODE	PIECES	DESCRIPTION



POS.	CODE	PIECES	DESCRIPTION
1	R11200881	1	WASHING SYSTEM EXTERNAL ASSEMBLY
2	R58004960	1	WASHING SYSTEM INNER FLANGE
3	R11100510	1	WASHING DEVICE ASSEMBLY
4	R70045090	1	GASKETS KIT
5	R65110600	1	DETRGENT PUMP
6	R62210032	4	1,3 L/MIN RINSING JET
7	R62210042	1	0,56 L/MIN DETERGENT JET
8	R58004980	2	WASHING DEVICE ROTATION BUSH
9	R65110650	1	BOTTOM FILTER
10	R62220012	2	SPHERA D.14
11	R61620041	2	SPRING
12	R58005000	2	1/2" MALE COVER
13	R65110640	2	ANTI-BACK FLOW
14	R70010050	4	OR GASKETS
15	R62090468	5	"T" MIDLING PIPE FITTING D.10
16	R62090508	1	10X1/4 STRAIGHT THREADED TERMINAL PIPE FITTING
17	R62090518	3	10X1/4 END SIDE PIPE FITTING (WITH TANG)
18	R62090528	10	ELBOW PIPE FITTING (WITH TANG) 10 X 10
19	R62090478	4	ELBOW MIDLING PIPE FITTING D.10

POS.	CODE	PIECES	DESCRIPTION
20	R62090538	1	1/4" FEMALE STRAIGHT PIPE FITTING FOR D.8X6 PIPE
21	R62090482	1	RAPID MALE PIPE FITTING
22	R62090492	1	RAPID FEMALE PIPE FITTING
23	R62090608	1	8X1/8 END SIDE PIPE FITTING (WITH TANG)
24	R62090458	1	STRAIGHT MIDLING PIPE FITTING D.10
25	R62090618	1	10-8 REDUCTION PIPE FITTING
26	R62090548	4	10-6 REDUCTION PIPE FITTING
27	R70070100	1	PE D.8 MM X 6 DETERGENT FLEXIBLE PIPE
28	R70070050	1	PE D.10 MM X7 WATER FLEXIBLE PIPE (3 MT LONG)
29	R65110200	1	SOLENOID VALVE 220V 50HZ
30	R11201600	1	COVER PANEL
31	R11402000	1	WASHING DEVICE EXTERNAL HOLDER
32	R11403830	1	PROTECTION PLATE
33	R11100570	1	TUBE DEVICE SUPPORT WASHING
34	R62300028	1	ANTI-BACK FLOW DEVICE ASSEMBLY
35	R65110260	2	SOLENOID VALVE D.6 220V 50HZ