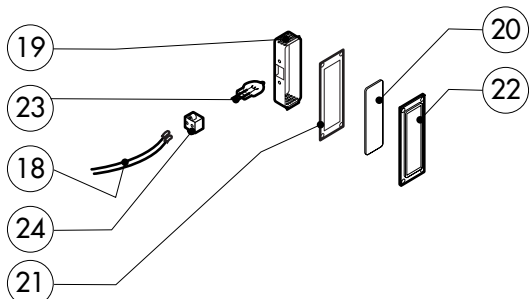
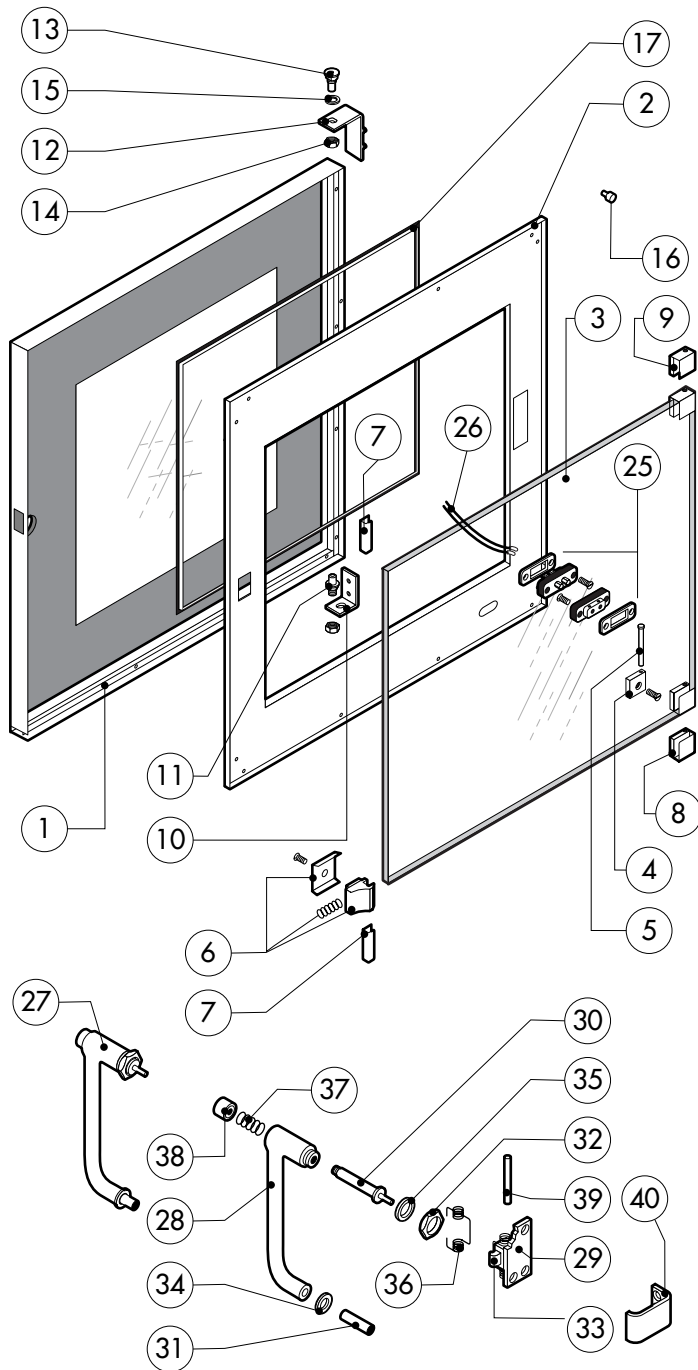
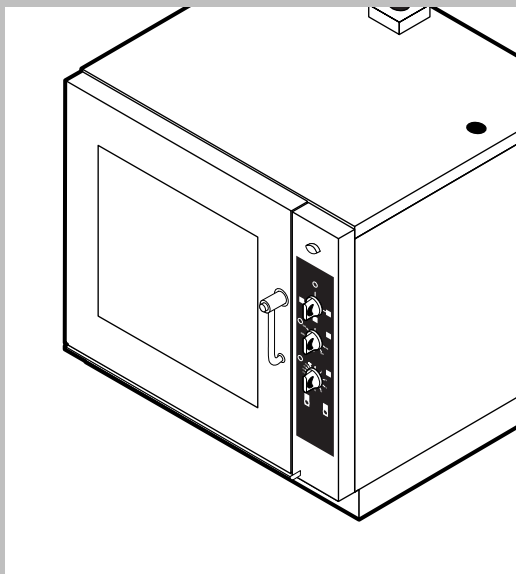


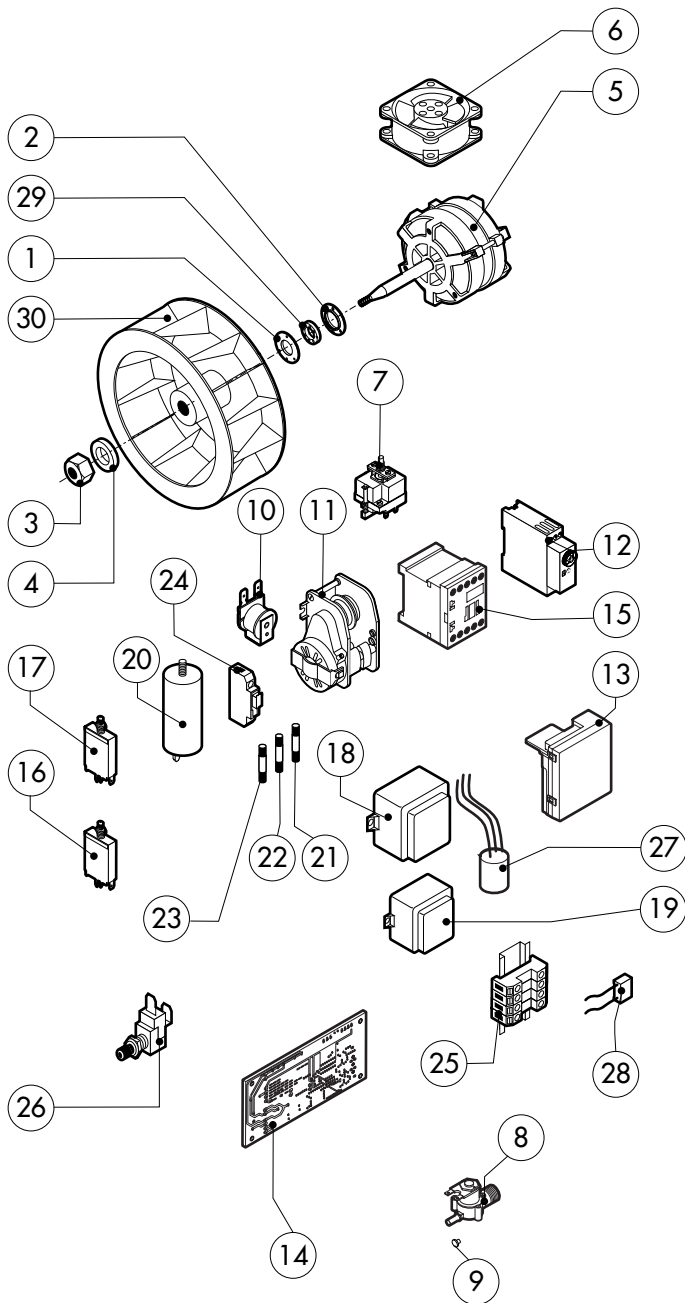
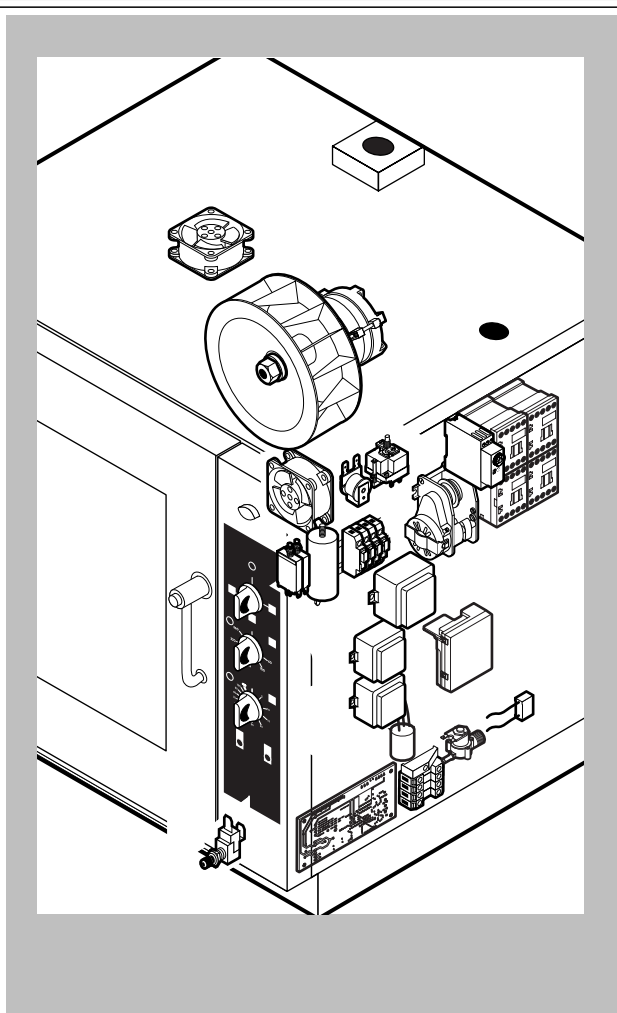
POS.	CODE	PIECES	DESCRIPTION
1	R18100030	1	DOOR ASSEMBLY
2	R18201920	1	CONTROL PANEL
3	R11200650	1	SPRITZER EXTENSION
4	R11200380	1	SPRITZER UNION
5	R18100380	1	COOKING CABINET ASSEMBLY
6	R18404240	1	FAN GUARD PANEL ASSEMBLY
7	R18404330	2	SIDE PANEL
8	R18404320	1	REAR PANEL
9	R18406530	1	COVER PANEL
10	R11402980	1	DRAINAGE PIPE PROTECTION
11	R58006400	4	FAN GUARD FASTENING SCREW
12	R70044230	1	FRONT GASKET
13	R18201810	2	REMOVABLE RACK
14	R18201820	2	REMOVABLE RACK

POS.	CODE	PIECES	DESCRIPTION



POS.	CODE	PIECES	DESCRIPTION
1	R18202060	1	DOOR
2	R18202070	1	INNER DOOR PANEL
3	R71201500	1	INNER DOOR GLASS
4	R58001760	2	INNER GLASS SOLID HINGE
5	R58001770	2	INNER GLASS HINGE PIN
6	R58001780	2	INNER GLASS CATCH KIT
7	R11401340	1	TOP "C" PROFILE
8	R18203910	1	LOWER SUPPORT GLASS
9	R18203920	1	TOP SUPPORT GLASS
10	R18404500	1	LOWER DOOR HINGE
11	R58002520	1	LOWER HINGE PIN
12	R11200560	1	UPPER DOOR HINGE
13	R58002150	1	HINGE PIN
14	R58004050	2	NUT FOR UPPER DOOR HINGE
15	R10401710	1	WASHER FOR UPPER DOOR HINGE
16	R70050100	6	GLASS SILICON SPACERS
17	R70044650	1	GLASS GASKET
18	R66110320	1	DOOR LAMPS CABLE SET
19	R11401440	1	LAMP COVER
20	R71500150	1	GLASS LAMP
21	R70044200	1	LAMP GASKET

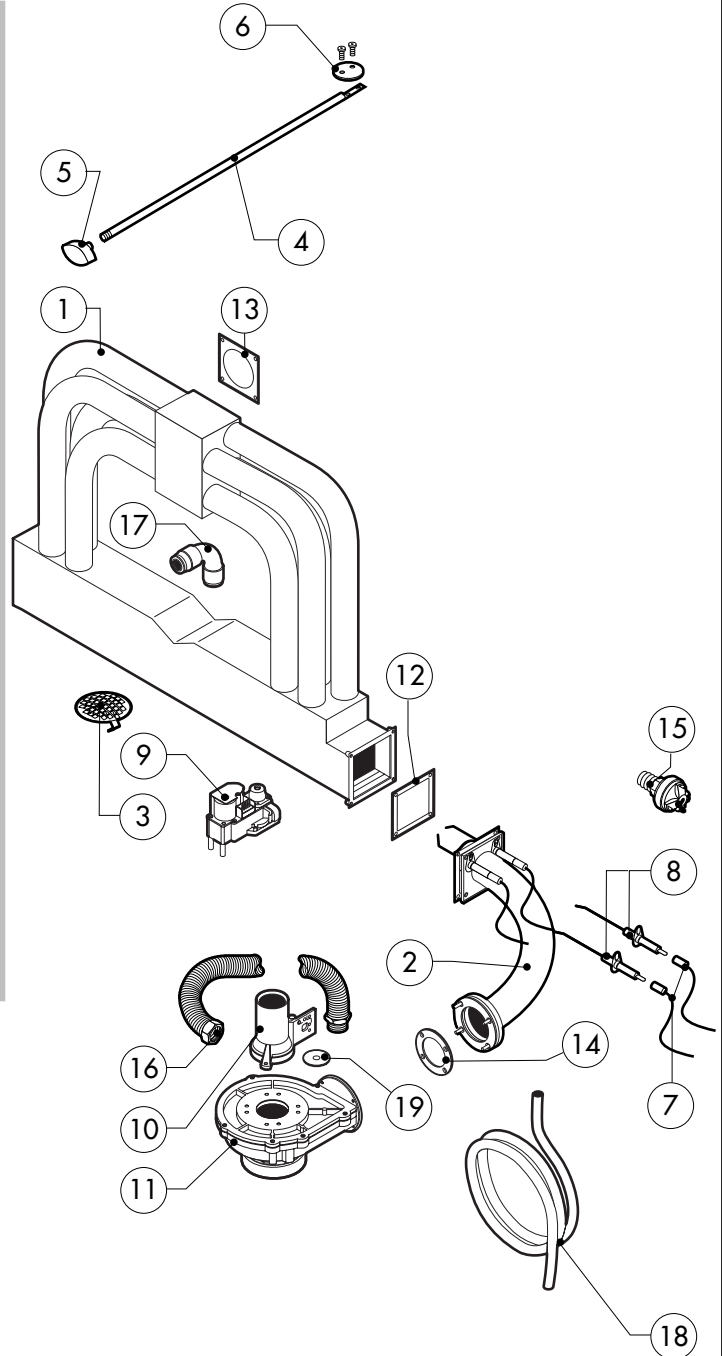
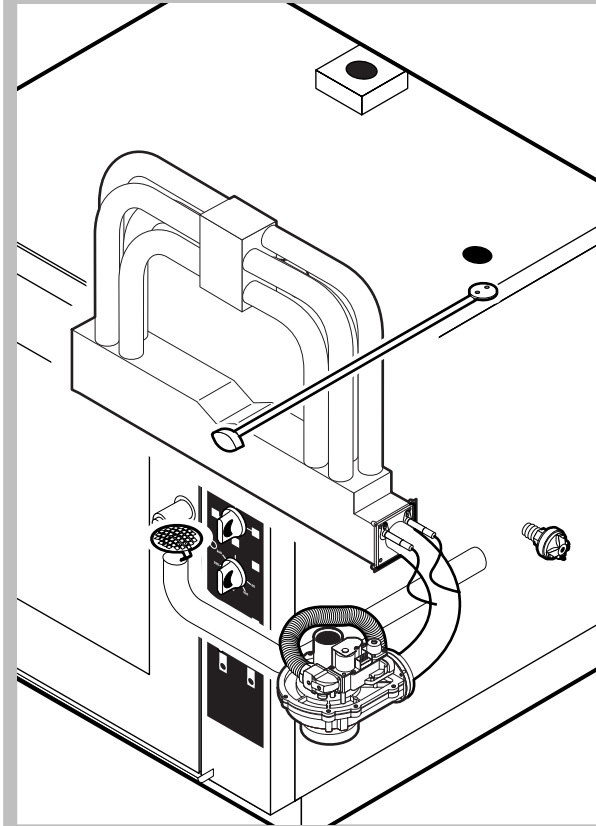
POS.	CODE	PIECES	DESCRIPTION
22	R11401450	1	GLASS HOLDER LAMP FLANGE
23	R65270020	1	LIGHT 20W 12V G4
24	R65270450	1	LIGHT SOCKET
25	R65260750	1	LAMPS CONTACT BLOCK
26	R66110300	1	LAMPS CONTACT CABLE SET
27	R69015000	1	DOOR HANDLE ASSEMBLY
28	R09200230	1	DOOR HANDLE
29	R10100110	1	PRONG FLANGE
30	R58003240	1	DOOR HANDLE BUTTON ROD
31	R58004270	1	DOOR HANDLE SPACER
32	R58004830	1	RING NUT M18x1
33	R58005050	1	DOOR HANDLE PRONG
34	R58005340	1	DOOR HANDLE LOWER INSULATION WASHER
35	R58005350	1	DOOR HANDLE UPPER INSULATION WASHER
36	R61620012	1	DOOR HANDLE CATCH SPRING
37	R61620041	1	DOOR HANDLE BUTTON SPRING
38	R69031190	1	DOOR HANDLE PUSH BUTTON
39	R58002160	1	DOOR HANDLE PRONG PIN
40	R18202020	1	DOOR HANDLE PRONG COUPLER



POS.	CODE	PIECES	DESCRIPTION
1	R58003860	1	MOTOR GASKET BRASS FLANGE
2	R58003870	1	MOTOR GASKET BRASS COUNTER FLANGE
3	R58004020	1	FAN SECURITY NUT M10 SX
4	R61400052	1	FAN WASHER Ø 21/10.5
5	*R65040431	1	MOTOR 0.25/0.05 KW KIT
6	R65060050	1	COMPONENTS VENTILATION MOTOR Ø 120
7	R65070350	1	CHAMBER SAFETY THERMOSTAT
8	R65110200	1	SOLENOID VALVE 220V 50HZ
9	R65110500	1	10 LT/H WATER FLOW REDUCER
10	R65330010	1	BUZZER
11	R65090190	1	REVERSING SWITCH 8'
12	R65090450	1	S.GENERATOR DRAIN TIMER
13	R63060120	1	BURNER IGNITION PANEL
14	R63130020	1	GAS BURNER FAN MOTOR PCBOARD
15	*R65140550	4	CONTACTOR DIL 00 M-01 4KW
16	*R65160300	1	THERMIC PROTECTION T12-2115-0.8A
17	*R65160320	1	THERMIC PROTECTION T12-2115-2A
18	R65180770	1	TRANSFORMER 50VA
19	R65180420	1	TRANSFORMER 20VA
20	*R65190180	1	CAPACITOR 10 µF
21	R65200200	1	FUSE 2A

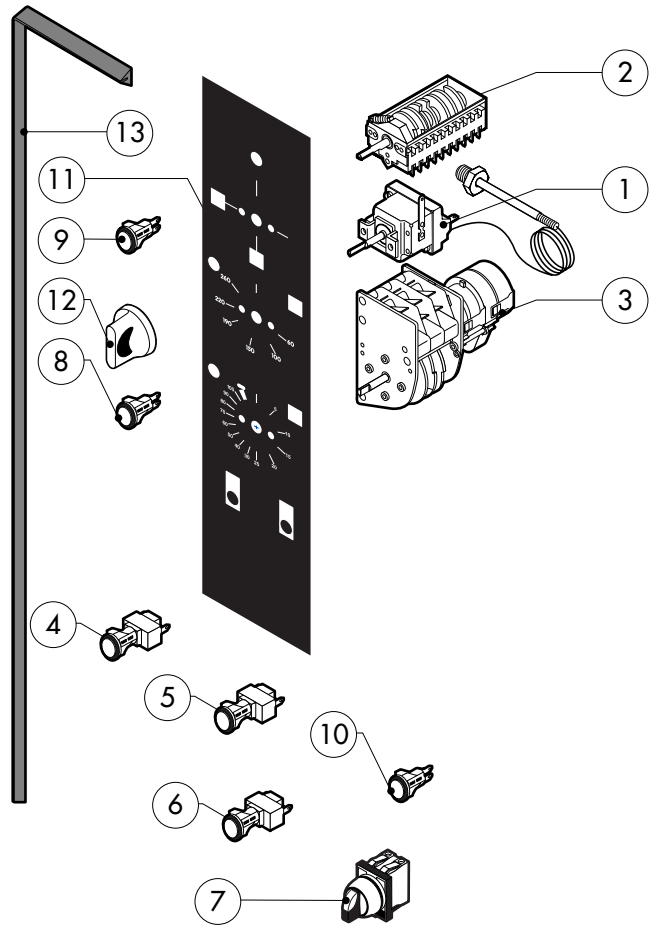
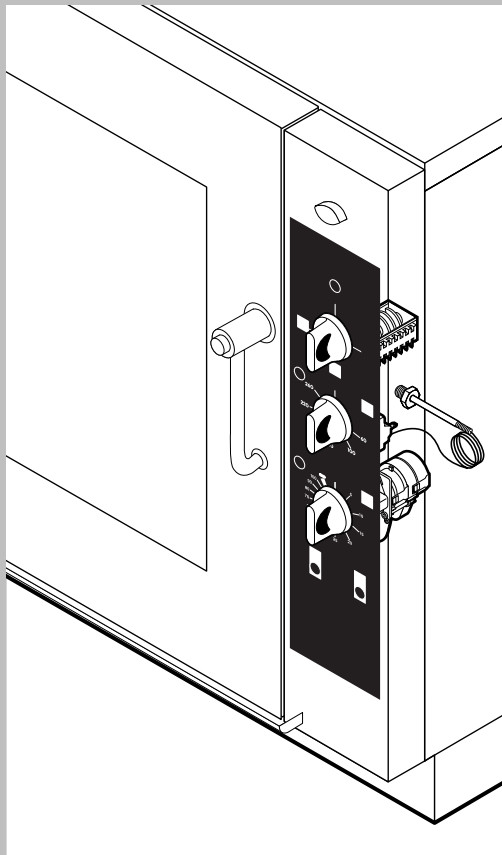
POS.	CODE	PIECES	DESCRIPTION
22	R65200120	1	FUSE 1A
23	R65200080	1	FUSE 0.125A (T)
24	R65210020	3	FUSE CARRIER
25	R65220220	1	TERMINAL BOARD
26	R65260540	1	DOOR SWITCH
27	*R65280210	1	INTERFERENCE SUPPRESSOR
28	*R65280130	1	INTERFERENCE SUPPRESSOR
29	R70020040	1	MOTOR GASKET
30	*R75400400	1	FAN Ø 220x78/12 50HZ P.D. KIT

*COMPONENT SUBMITTED TO CHANGEMENTS CAUSED BY TENSION DIFFERENT FROM THE STANDARD (AC 230V 50HZ)



POS.	CODE	PIECES	DESCRIPTION
1	R18203640	1	HEAT EXCHANGER ACCESSORIES INCLUDED
2	R11201260	1	BURNER ASSEMBLY
3	R10201700	1	DRAIN FILTER
4	R58003600	1	CHAMBER VENT ROD
5	R69010410	1	STEAM OUTLET KNOB
6	R04403460	1	CHAMBER VENT PLATE Ø 46
7	R66110370	1	FLAME IGNITION CABLE/FLAME SENSOR CABLE
8	R63050070	2	IGNITOR
9	R63020170	1	GAS SOLENOID VALVE
10	R63120020	1	VENTURI TUBE
11	R63130010	1	GAS BURNER FAN MOTOR
12	R63140000	2	BURNER/HEAT EXCHANGER GASKET
13	R63140010	2	HEAT EXCHANGER GASKET
14	R63140050	1	BURNER/FAN MOTOR GASKET
15	R63070010	1	GAS SAFETY PRESSURE SWITCH PG 901.61
16	R62180082	1	GAS INLET FLEXIBLE PIPE
17	R62090478	2	ELBOW MIDDLING PIPE FITTING D.10
18	R70070060	1	PE D.10 MM X7 WATER FLEXIBLE PIPE (2 MT LONG)
19	R58004180	1	ORIFICE (FOR VERSION LIQUID GAS)

POS.	CODE	PIECES	DESCRIPTION



POS.	CODE	PIECES	DESCRIPTION
1	R65070360	1	CABINET THERMOSTAT 0°/300°C
2	R65080010	1	MAIN SELECTOR SWITCH
3	R65090020	1	TIMER
4	R65260600	1	SWITCH
5	R65260610	1	HUMIDIFIER PUSH BUTTON
6	R65260620	1	RESTORATION PUSH BUTTON
7	R65080150	1	2 POSITIONS SELECTOR SWITCH
8	R65270150	2	ORANGE INDICATING LIGHT
9	R65270160	1	GREEN INDICATING LIGHT
10	R65270170	1	RED INDICATING LIGHT
11	R67013590	1	PLATE
12	R69030170	3	KNOB
13	R70044250	1	CONTROL PANEL GASKET

POS.	CODE	PIECES	DESCRIPTION