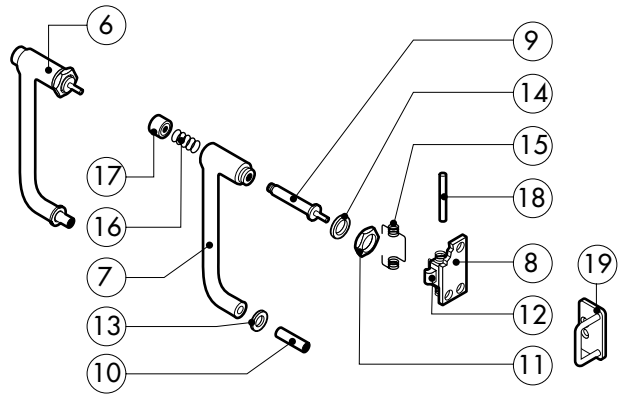
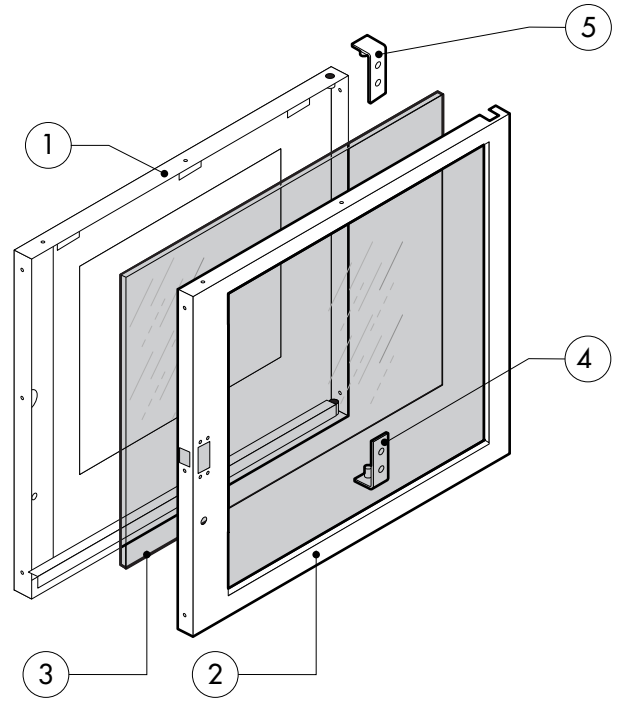
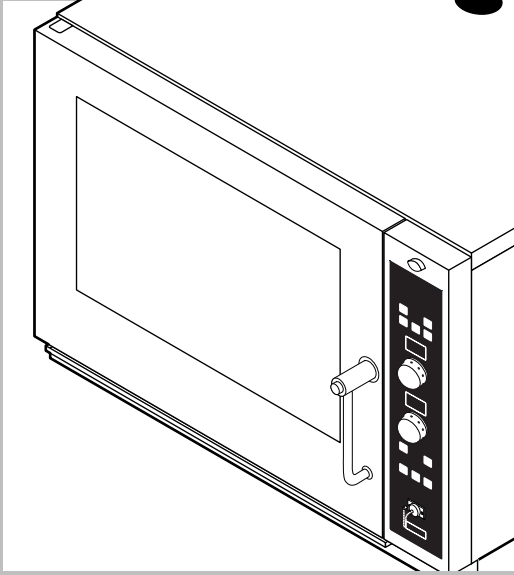


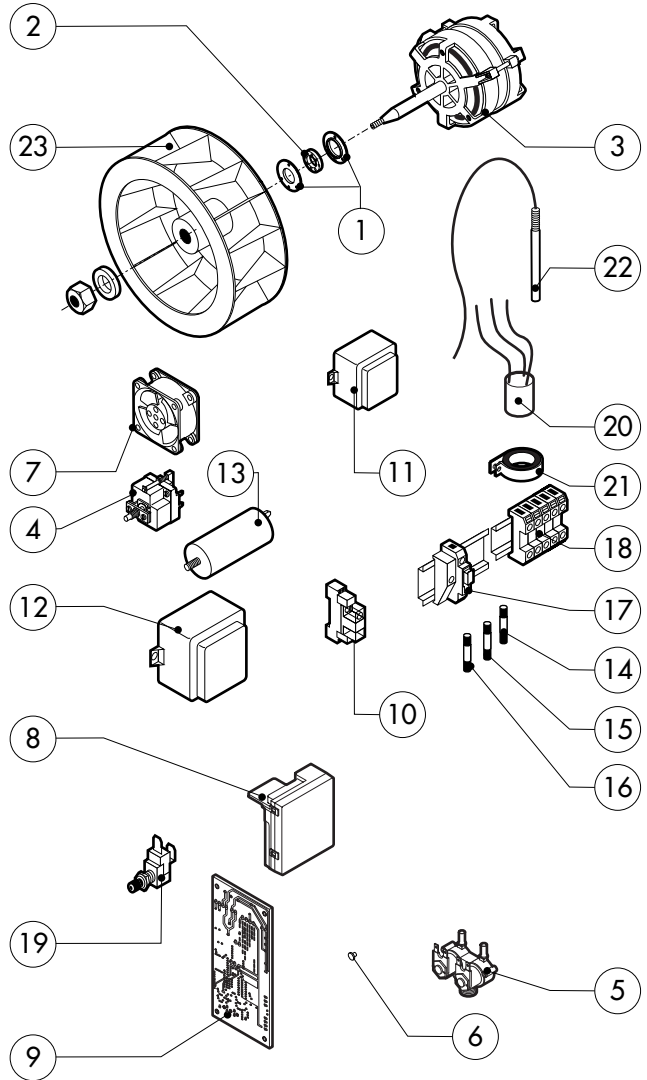
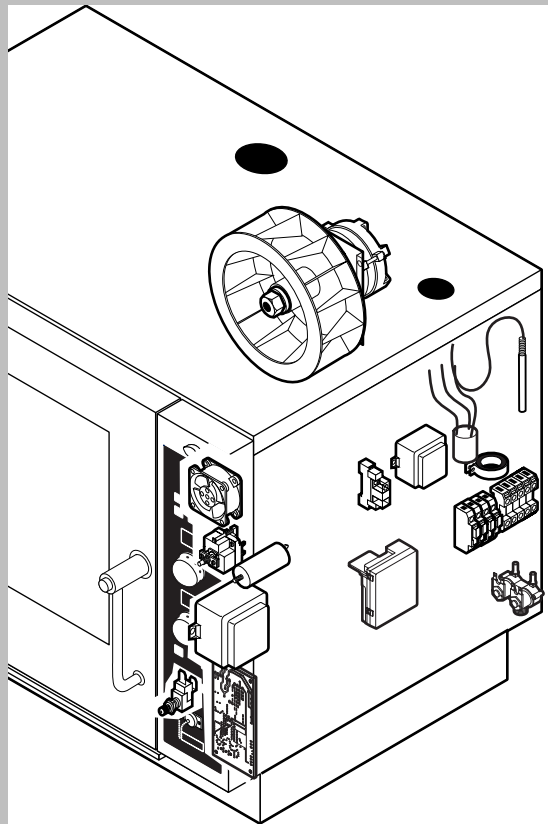
POS.	CODE	PIECES	DESCRIPTION
1	R18100120	1	DOOR ASSEMBLY
2	R18201120	1	CONTROL PANEL
3	R18200540	1	SPRITZER EXTENSION
4	R18201430	1	SPRITZER UNION
5	R18100340	1	COOKING CABINET ASSEMBLY
6	R65270510	1	LAMP COVER
7	R18402080	1	FAN GUARD PANEL ASSEMBLY
8	R18401760	2	SIDE PANEL
9	R18401770	1	REAR PANEL
10	R18403560	1	COVER PANEL
11	R18404000	1	DRAINAGE PIPE PROTECTION
12	R58006400	2	FAN GUARD FASTENING SCREW
13	R70044350	1	FRONT GASKET
14	R17200420	2	REMOVABLE RACK
15	R17200330	2	REMOVABLE RACK

POS.	CODE	PIECES	DESCRIPTION



POS.	CODE	PIECES	DESCRIPTION
1	R18200960	1	DOOR
2	R18402370	1	INNER DOOR PANEL
3	R71201340	1	FRONTAL DOOR GLASS
4	R18201260	1	LOWER DOOR HINGE
5	R18201270	1	UPPER DOOR HINGE
6	R69015000	1	DOOR HANDLE ASSEMBLY
7	R09200230	1	DOOR HANDLE
8	R10100110	1	PRONG FLANGE
9	R58003240	1	DOOR HANDLE BUTTON ROD
10	R58004270	1	DOOR HANDLE SPACER
11	R58004830	1	RING NUT M18x1
12	R58005050	1	DOOR HANDLE PRONG
13	R58005340	1	DOOR HANDLE LOWER INSULATION WASHER
14	R58005350	1	DOOR HANDLE UPPER INSULATION WASHER
15	R61620012	1	DOOR HANDLE CATCH SPRING
16	R61620041	1	DOOR HANDLE BUTTON SPRING
17	R69031190	1	DOOR HANDLE PUSH BUTTON
18	R58002160	1	DOOR HANDLE PRONG PIN
19	R18200940	1	DOOR HANDLE PRONG COUPLER

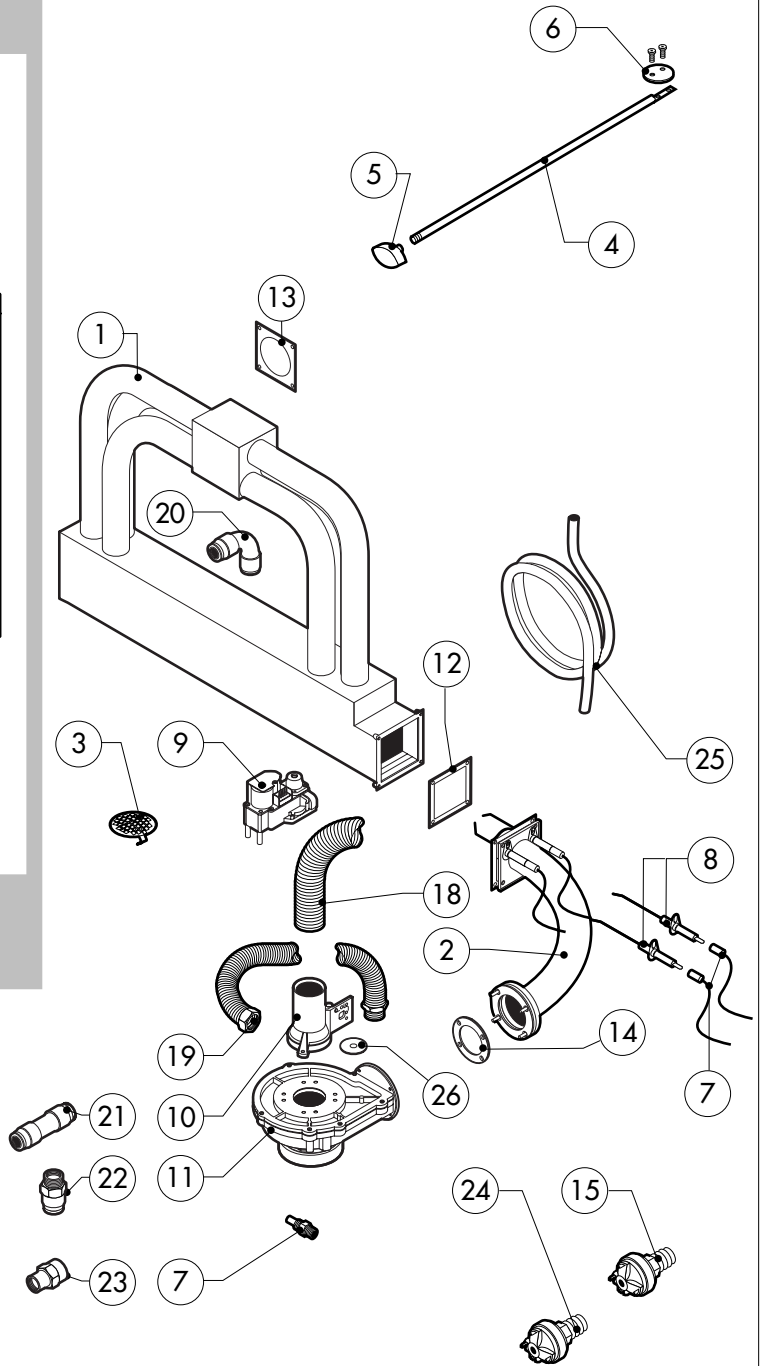
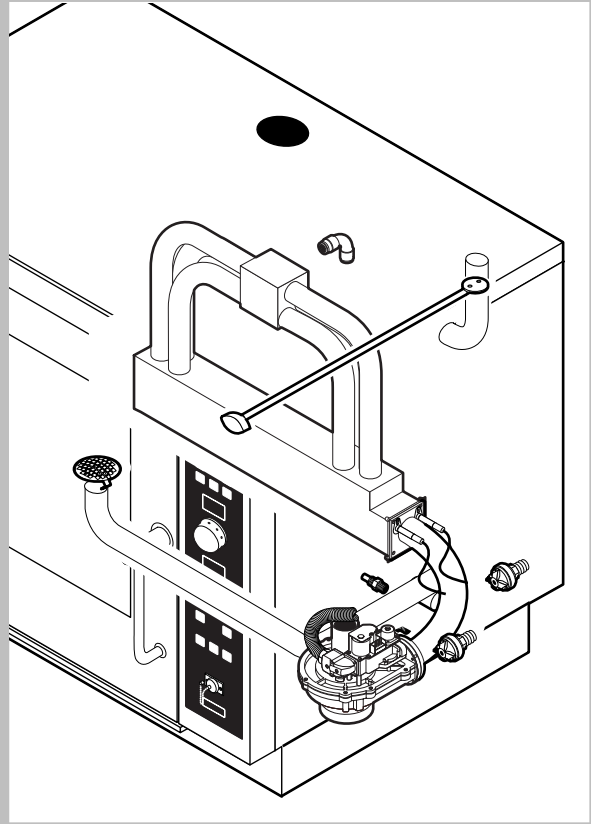
POS.	CODE	PIECES	DESCRIPTION



POS.	CODE	PIECES	DESCRIPTION
1	R58005500	1	MOTOR GASKET BRASS FLANGE
2	R70020020	1	MOTOR GASKET
3	*R65041000	1	MOTOR 200W
4	R65070350	1	CHAMBER SAFETY THERMOSTAT
5	R65110230	1	SOLENOID VALVE 220V 50HZ WITH FLOW REDUCER
6	R65110500	1	10 LT/H WATER FLOW REDUCER
7	R65060010	1	COMPONENTS VENTILATION MOTOR Ø 80
8	R63060120	1	BURNER IGNITION PANEL
9	R63130020	1	GAS BURNER FAN MOTOR PCBOARD
10	R65170100	2	RELAY 240V AC 16A 62.82300308
11	R65180420	1	TRANSFORMER 20VA
12	R65180770	1	TRANSFORMER 50VA
13	*R65190180	1	CAPACITOR 10 µF
14	R65200200	1	FUSE 2A
15	R65200120	1	FUSE 1A
16	R65200040	1	FUSE 0.500A (T)
17	R65210020	3	FUSE CARRIER
18	R65220090	1	TERMINAL BOARD
19	R65260540	1	DOOR SWITCH

POS.	CODE	PIECES	DESCRIPTION
20	*R65280200	1	INTERFERENCE SUPPRESSOR
21	*R65280450	1	FERRITE
22	R65325000	1	PROBE PT100
23	*R75400410	1	FAN Ø 180x77/12 50HZ P.D.

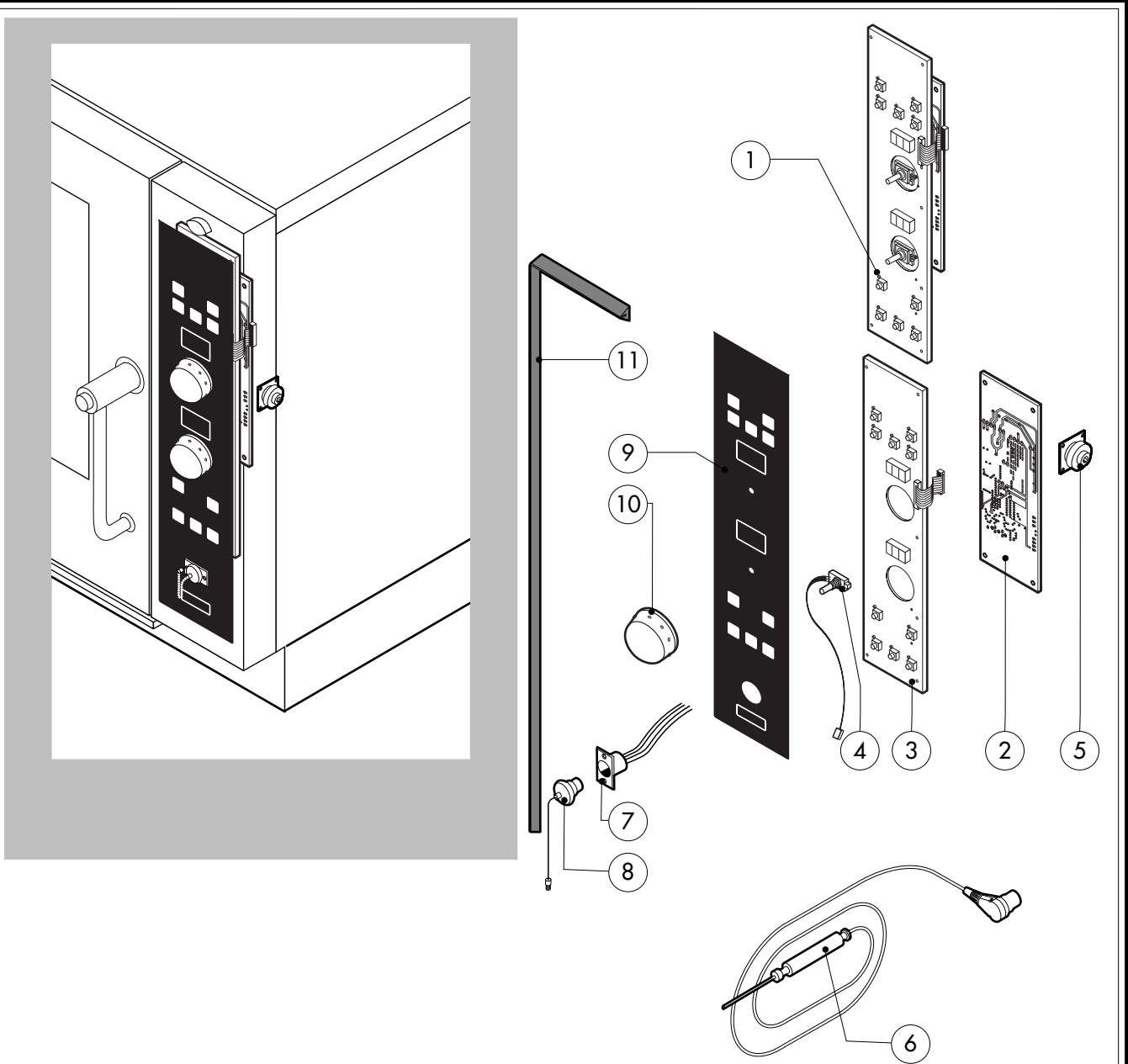
*COMPONENT SUBMITTED TO CHANGEMENTS CAUSED BY TENSION DIFFERENT FROM THE STANDARD [3N AC400V 50HZ]



POS.	CODE	PIECES	DESCRIPTION
1	R18201510	1	HEAT EXCHANGER ACCESSORIES INCLUDED
2	R18201570	1	BURNER ASSEMBLY
3	R09201820	1	DRAIN FILTER
4	R58003780	1	CHAMBER VENT ROD
5	R69010410	1	STEAM OUTLET KNOB
6	R18400940	1	CHAMBER VENT PLATE
7	R66110370	1	FLAME IGNITION CABLE/FLAME SENSOR CABLE
8	R63050070	2	IGNITOR
9	R63020170	1	GAS SOLENOID VALVE
10	R63120020	1	VENTURI TUBE
11	R63130010	1	GAS BURNER FAN MOTOR
12	R63140000	2	BURNER/HEAT EXCHANGER GASKET
13	R63140010	2	HEAT EXCHANGER GASKET
14	R63140050	1	BURNER/FAN MOTOR GASKET
15	R63070010	1	GAS SAFETY PRESSURE SWITCH PG 901.61
16	R61630031	2	METAL CLAMPS 40-60/9
17	R70060080	1	SILICON COUPLING Ø 13
18	R77700046	1	AIR INLET FLEXIBLE PIPE
19	R62180082	1	GAS INLET FLEXIBLE PIPE

POS.	CODE	PIECES	DESCRIPTION
20	R62090478	1	ELBOW MIDLING PIPE FITTING D.10
21	R62090458	1	STRAIGHT MIDLING PIPE FITTING D.10
22	R62090508	1	10X1/4 STRAIGHT THREADED TERMINAL PIPE FITTING
23	R62030118	1	1/8"-1/4" FEMALE REDUCTION COUPLING
24	R63070050	1	WATER SAFETY PRESSURE SWITCH 1/8" 0,5-0,35 BAR
25	R70070070	1	PE D.10 MM X7 WATER FLEXIBLE PIPE (1 MT LONG)
26	R58004170	1	ORIFICE (FOR VERSION LIQUID GAS)

*COMPONENT SUBMITTED TO CHANGEMENTS CAUSED BY TENSION DIFFERENT FROM THE STANDARD (3N AC400V 50HZ)



POS.	CODE	PIECES	DESCRIPTION
1	R65301800	1	CONTROL PANEL P.C. BOARD
2	R65301810	1	FRONT PC BOARD "D" MOD
3	R65301820	1	RELAY PC BOARD "D" MOD
4	R65301450	2	FRONT PC BOARD ENCODER
5	R65301440	1	PC BOARD BUZZER
6	R65321120	1	CORE TEMPERATURE PROBE
7	R65320920	1	CORE TEMPERATURE PROBE FEMALE CONNECTOR
8	R65321020	1	COVER FOR FEMALE CONNECTOR
9	R67013580	1	PLATE
10	R69030260	2	KNOB
11	R70044250	1	CONTROL PANEL GASKET

POS.	CODE	PIECES	DESCRIPTION