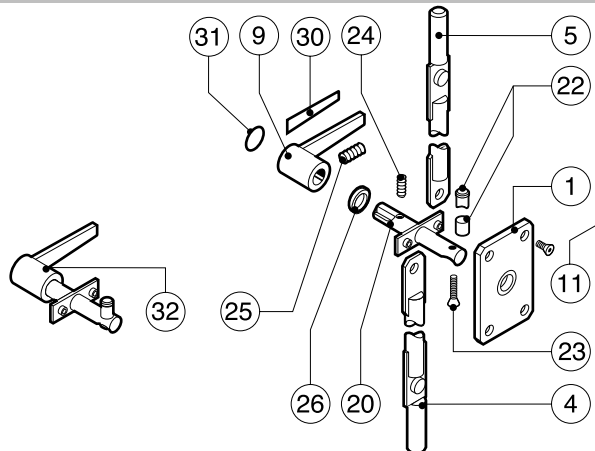
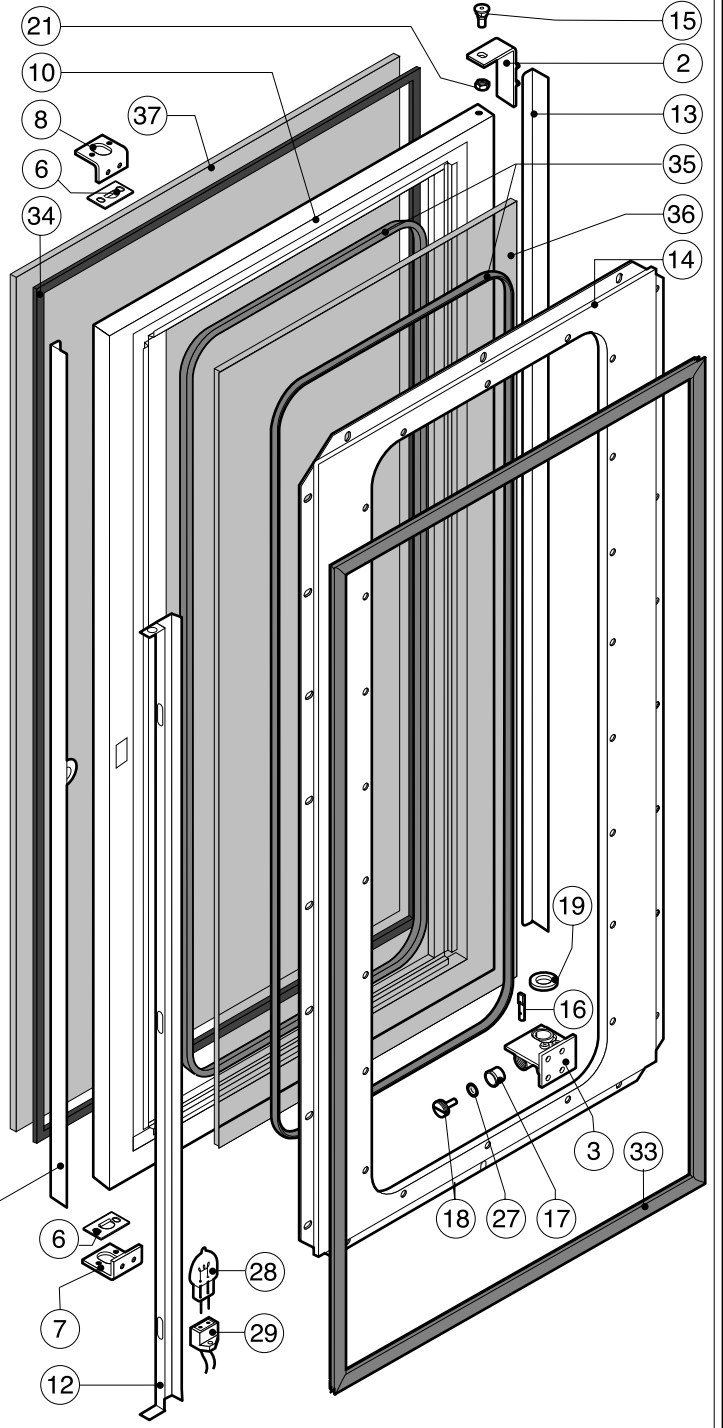
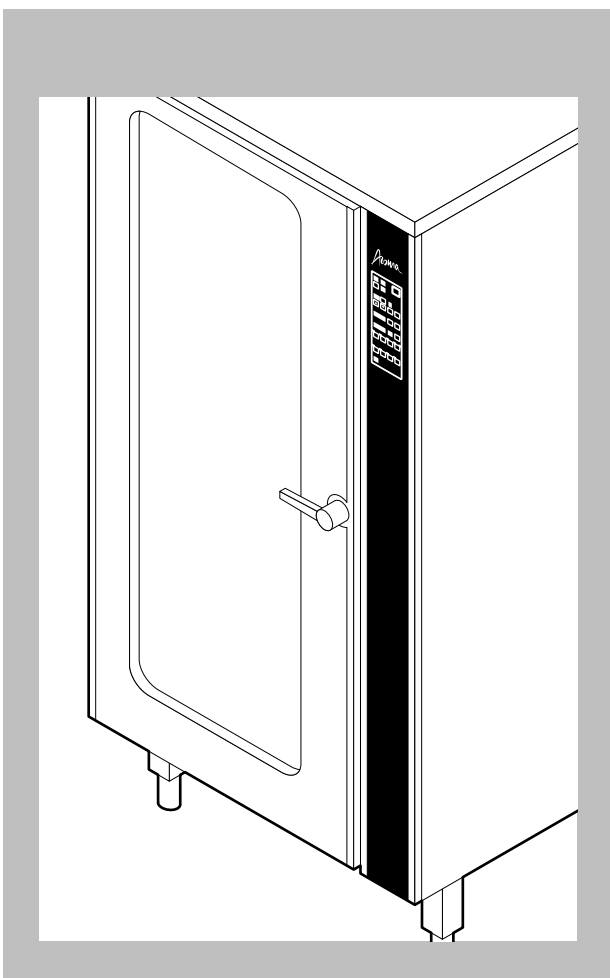


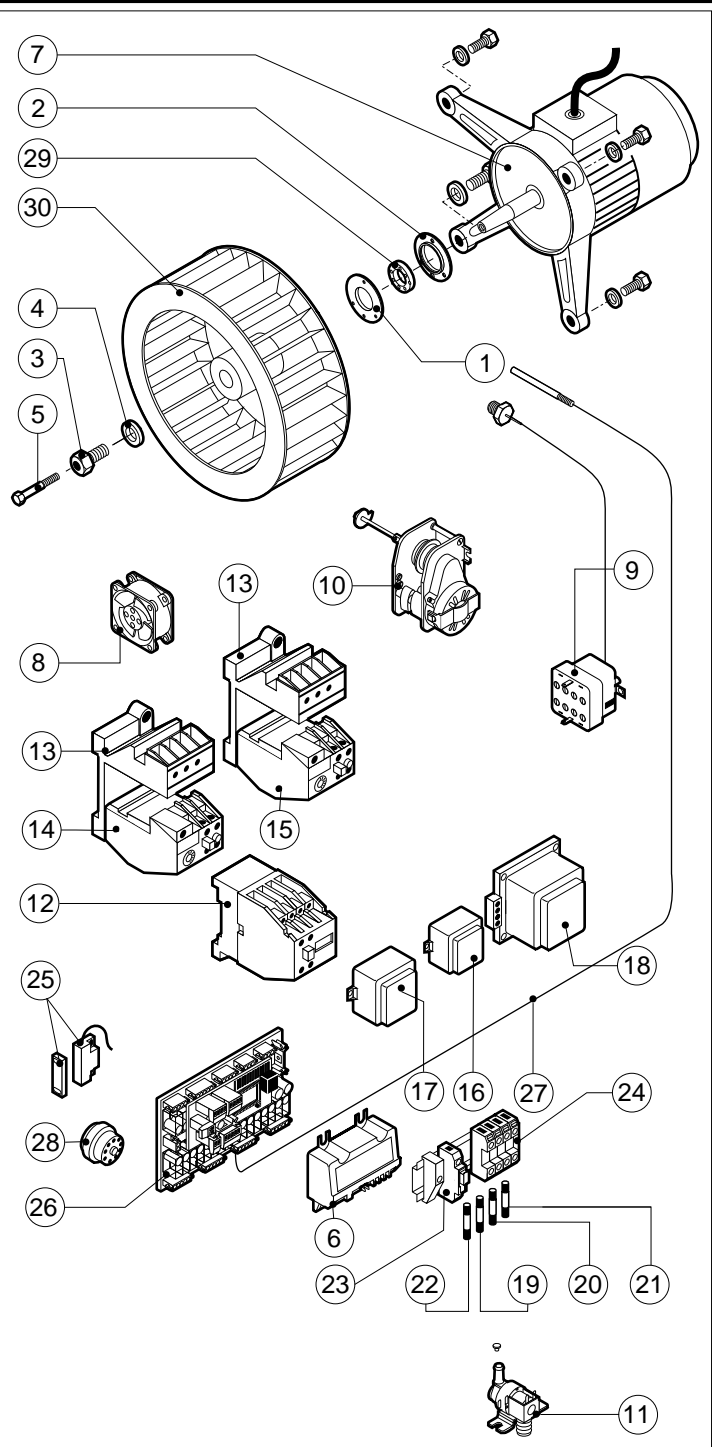
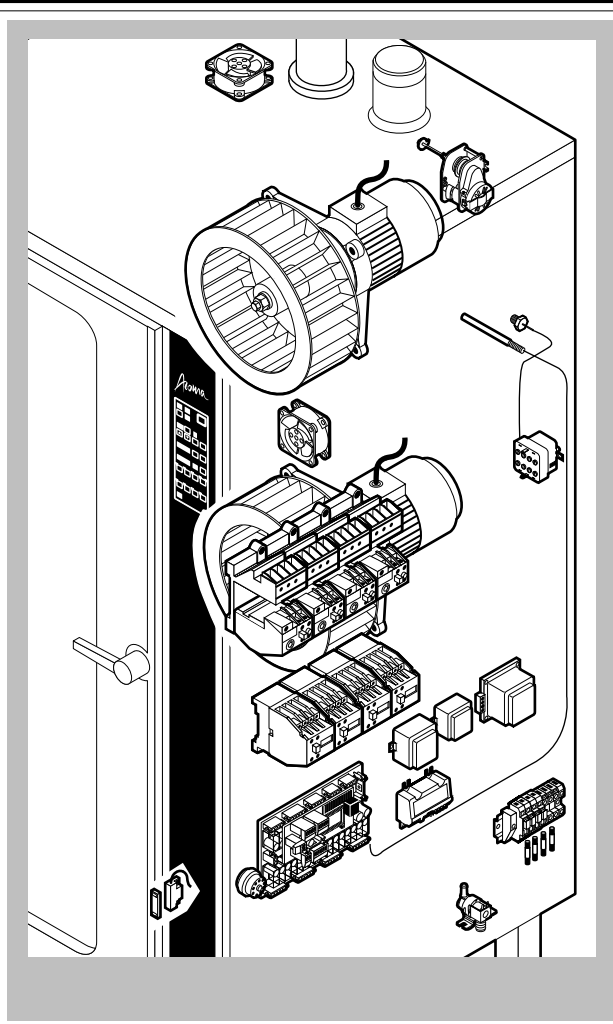
POS.	CODE	PIECES	DESCRIPTION
1	R10201600	1	LEFT SIDE PANEL
2	R10201620	1	RIGHT SIDE PANEL
3	R10201630	1	REAR PANEL
4	R10206480	1	SPRITZER EXTENSION
5	R10206540	1	SPRITZER UNION
6	R12100040	1	DOOR ASSEMBLY
7	R12101130	1	CONTROL PANEL WITH PLATE
8	R12200060	1	COOKING CABINET ASSEMBLY
9	R12201670	1	FAN GUARD PANEL ASSEMBLY
10	R12201910	1	COVER PANEL
11	R58006390	1	FAN GUARD FASTENING SCREW
12	R69070070	4	FOOT 1*1/4x120
13	R70042830	1	FRONT GASKET
14	R75300090	2	FAN GUARD GRID Ø 350

POS.	CODE	PIECES	DESCRIPTION



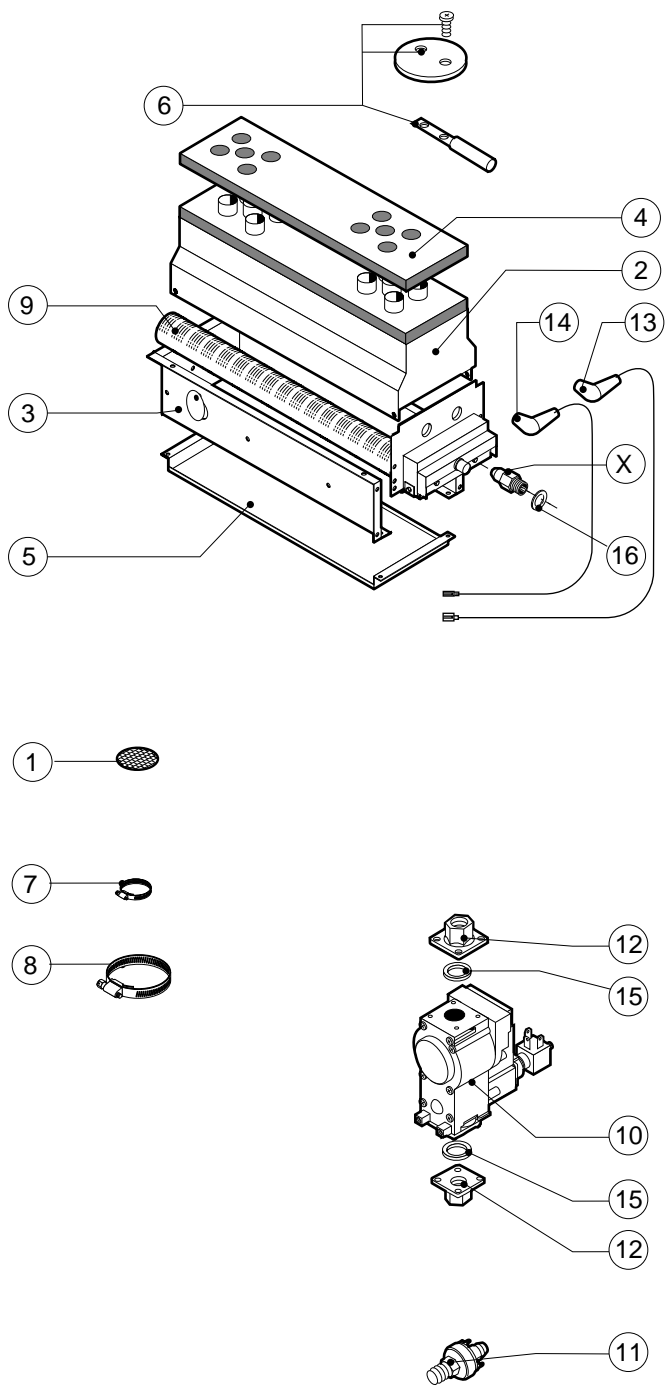
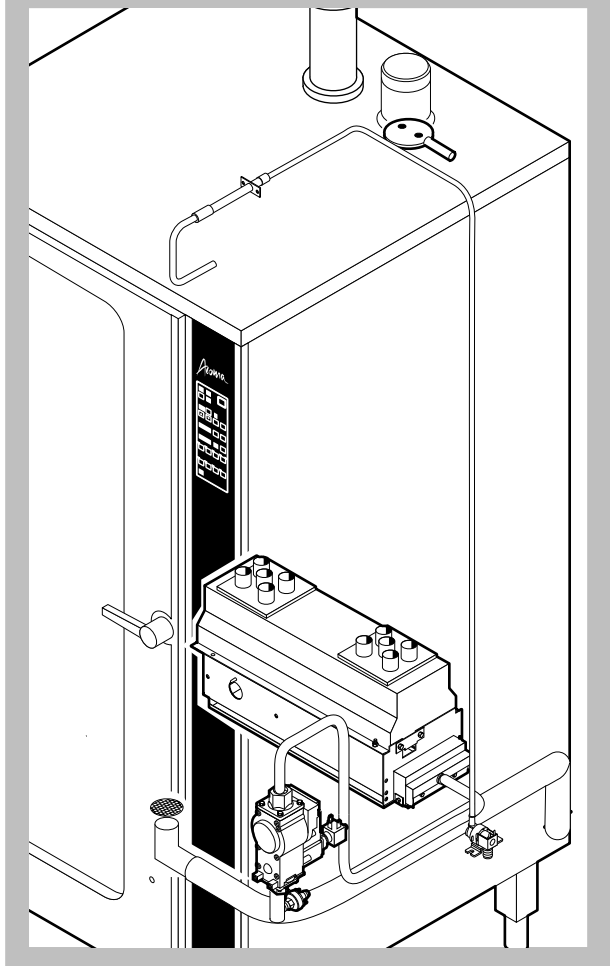
POS.	CODE	PIECES	DESCRIPTION
1	R03200970	1	DOOR LOCK REAR FLANGE
2	R10201290	1	UPPER DOOR HINGE
3	R10201330	1	LOWER DOOR HINGE WITH RETAINER
4	R10202950	1	LOWER DOOR ROD
5	R10202960	1	UPPER DOOR ROD
6	R10207680	2	DOOR ROD ADJUSTABLE PLATE
7	R10411350	1	LOWER SQUARE FOR DOOR ROD
8	R10411360	1	UPPER SQUARE FOR DOOR ROD
9	R12200670	1	DOOR HANDLE
10	R12201650	1	DOOR
11	R12201660	1	RIGHT GLASS FIXING BRACKET
12	R12404460	2	LAMP COVER
13	R12404480	1	LEFT GLASS FIXING BRACKET
14	R12404570	1	INNER DOOR PANEL
15	R58002150	1	HINGE PIN
16	R58002540	1	DOOR PIVOT SUNK KEY
17	R58002550	1	DOOR RETAINER GUIDE SHOE
18	R58002560	1	SCREW FOR LOWER DOOR HINGE
19	R58002570	1	WASHER Ø 30/15x3

POS.	CODE	PIECES	DESCRIPTION
20	R58003120	1	DOOR HANDLE PIN
21	R58004050	1	NUT FOR UPPER DOOR HINGE
22	R58004781	1	DOOR HANDLE HOOK
23	R58006370	1	DOOR HANDLE HOOK SCREW
24	R61090052	1	GRUB SCREW M6x16
25	R61100262	1	GRUB SCREW M8x20
26	R61420021	1	ELASTIC WASHER
27	R61620091	16	BELLEVILLE WASHER Ø 14/6.4
28	R65270020	6	LIGHT 20W 12V G4
29	R65270400	6	LIGHT SOCKET
30	R67011000	1	HANDLE INSERT BLUE
31	R67011050	1	BLU DOOR HANDLE DISK
32	R69015060	1	DOOR HANDLE ASSEMBLY
33	R70042530	1	DOOR GASKET
34	R70042630	1	FRONT GLASS GASKET
35	R70042730	1	REAR GLASS GASKET
36	R71200050	1	DOOR GLASS
37	R71200200	1	DOOR GLASS GOLD/BLUE



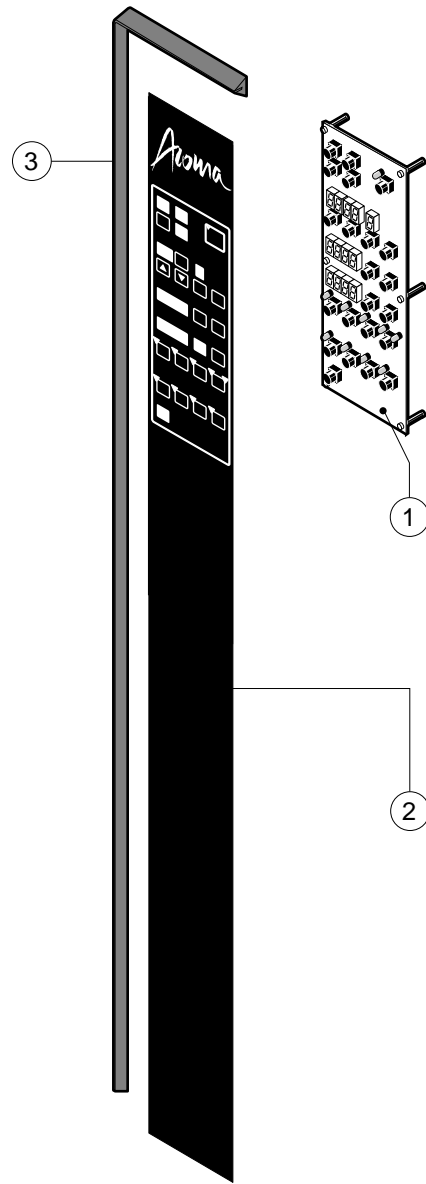
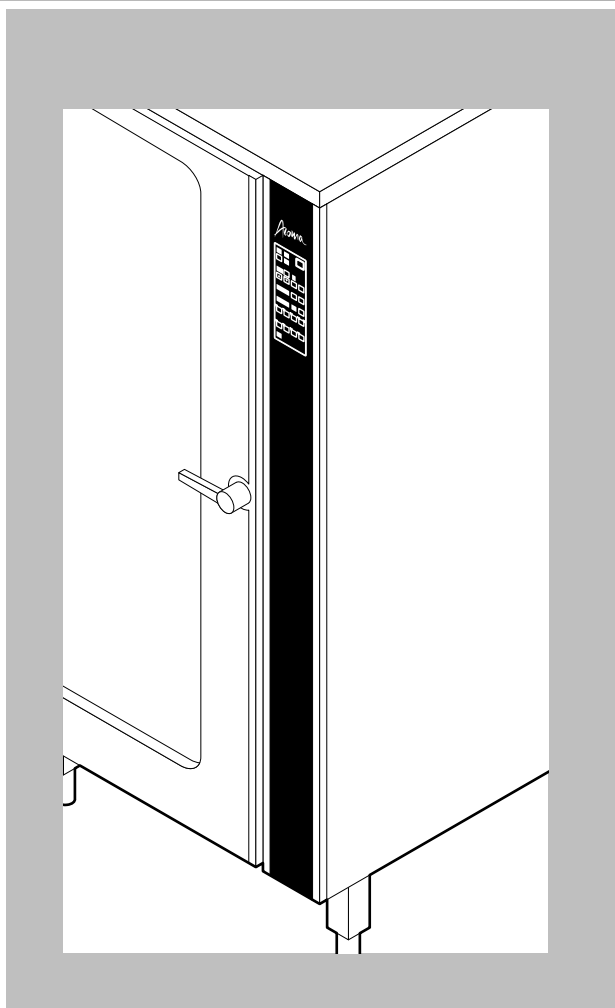
POS.	CODE	PIECES	DESCRIPTION
1	R58003840	2	MOTOR GASKET BRASS FLANGE
2	R58003850	2	MOTOR GASKET BRASS COUNTER FLANGE
3	R58004000	2	FAN SCREW M12x1.5 SX
4	R58004010	2	FAN WASHER Ø 30/12.5
5	R61020562	2	FAN SCREW TE A2 M6x55
6	R63060020	1	BURNER IGNITION PANEL S 4560 A
7	R65040051	2	MOTOR HP 1/0.3 KIT
8	R65060010	2	COMPONENTS VENTILATION MOTOR Ø 80
9	R65070070	1	CHAMBER SAFETY THERMOSTAT
10	R65095000	1	DAMPER SYSTEM
11	R65115040	1	SOLENOID VALVE 220V 50HZ WITH FLOW REDUCER
12	R65140150	4	CONTACTOR 3TF4011-OAUO 240V
13	R65160050	4	THERMIC SWITCH SUPPORT 3UX1418
14	R65160110	2	THERMIC PROTECTION 3UA5000-0J 0.63-1A
15	R65160120	2	THERMIC PROTECTION 3UA5000-1C 1.6-2.5A
16	R65180410	1	TRANSFORMER 16VA
17	R65180650	1	TRANSFORMER 23VA
18	R65180670	1	TRANSFORMER 120VA
19	R65200010	1	FUSE 0.8A (T)

POS.	CODE	PIECES	DESCRIPTION
20	R65200086	1	FUSE 0.125A (T)
21	R65200200	1	FUSE 2A
22	R65200320	1	FUSE 0.2A (T)
23	R65210020	4	FUSE CARRIER
24	R65220090	1	TERMINAL BOARD
25	R65265100	1	DOOR SWITCH
26	R65300640	1	RELAYS P.C. BOARD
27	R65325000	1	PROBE PT100
28	R65330040	1	BUZZER
29	R70020050	2	MOTOR GASKET
30	R75400380	2	FAN Ø 350x120/24 50HZ P.D. KIT



POS.	CODE	PIECES	DESCRIPTION
1	R10201710	1	DRAIN FILTER
2	R10202410	1	COMBUSTION CABINET
3	R10202530	1	CABINET BURNERS SUPPORT
4	R10406250	1	COMBUSTION CABINET INSULATION PLATE
5	R10411650	1	CHAMBER BURNERS PROTECTION PLATE
6	R12401420	1	VENT OUTLER BUTTERFLY
7	R61630011	6	METAL CLAMPS 12-22/9
8	R61630041	4	METAL CLAMPS 70-90/9
9	R63015060	1	CHAMBER BURNER ASSEMBLY
10	R63020010	1	GAS SOLENOID VALVE VR4605
11	R63070010	1	GAS SAFETY PRESSURE SWITCH PG 901.61
12	R63080010	2	STRAIGHT FLANGE 1/2"
13	R66605100	1	SPARK PLUG CABLE
14	R66605110	1	SPARK PLUG CABLE
15	R70010070	2	RING
16	R70030090	2	NOZZLE GASKET
X		2	NOZZLE (See service manual)

POS.	CODE	PIECES	DESCRIPTION



POS.	CODE	PIECES	DESCRIPTION
1	R65300650	1	CONTROL PANEL P.C. BOARD
2	R67011310	1	LAINOX PLATE
3	R70040850	1	CONTROL PANEL GASKET

POS.	CODE	PIECES	DESCRIPTION