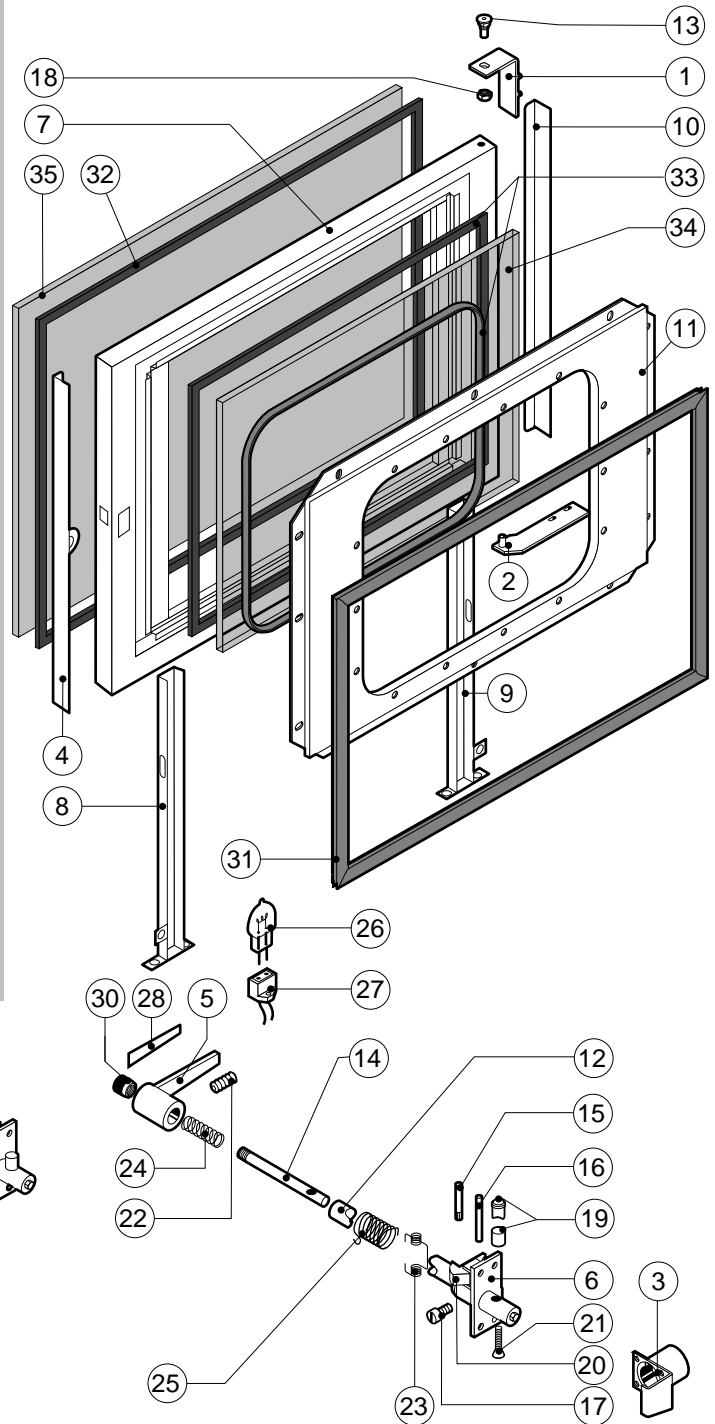
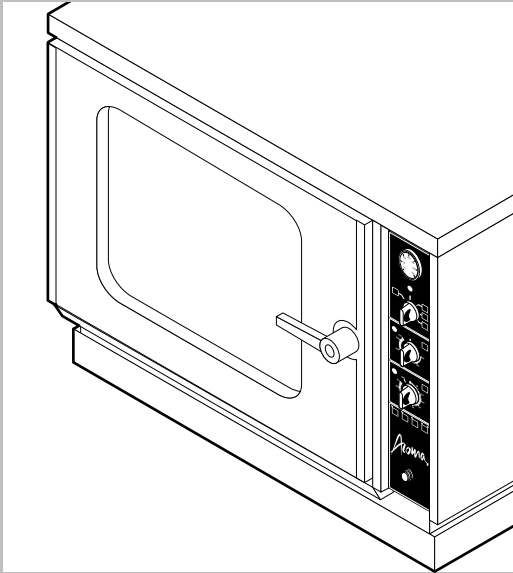


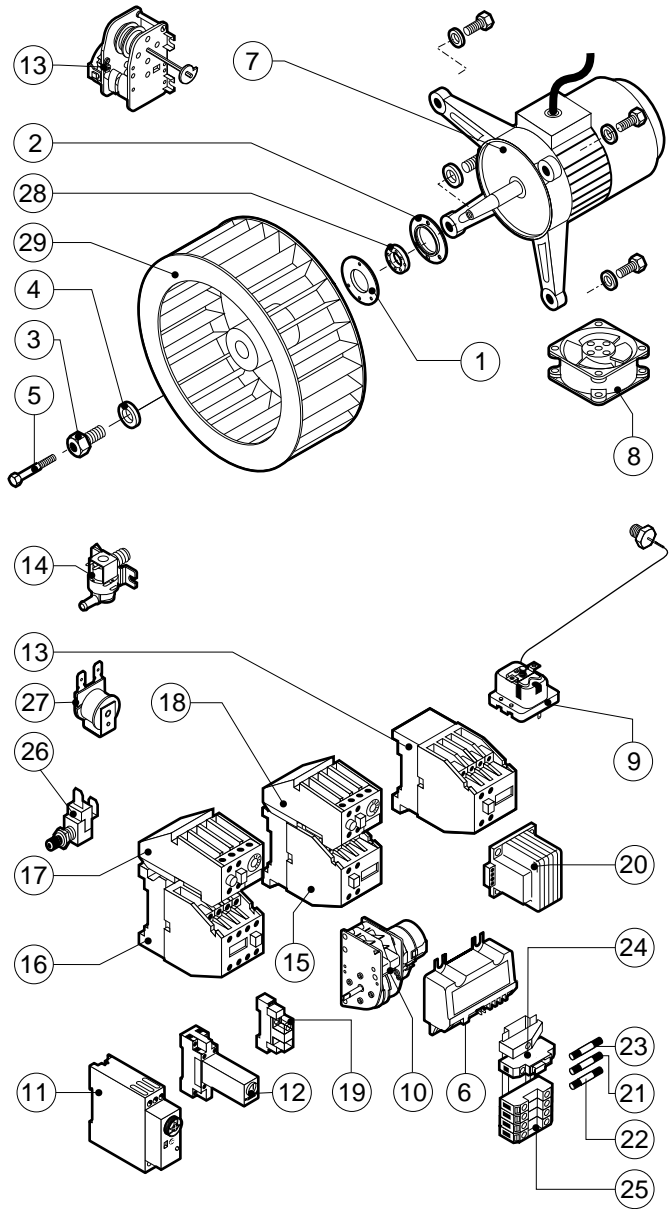
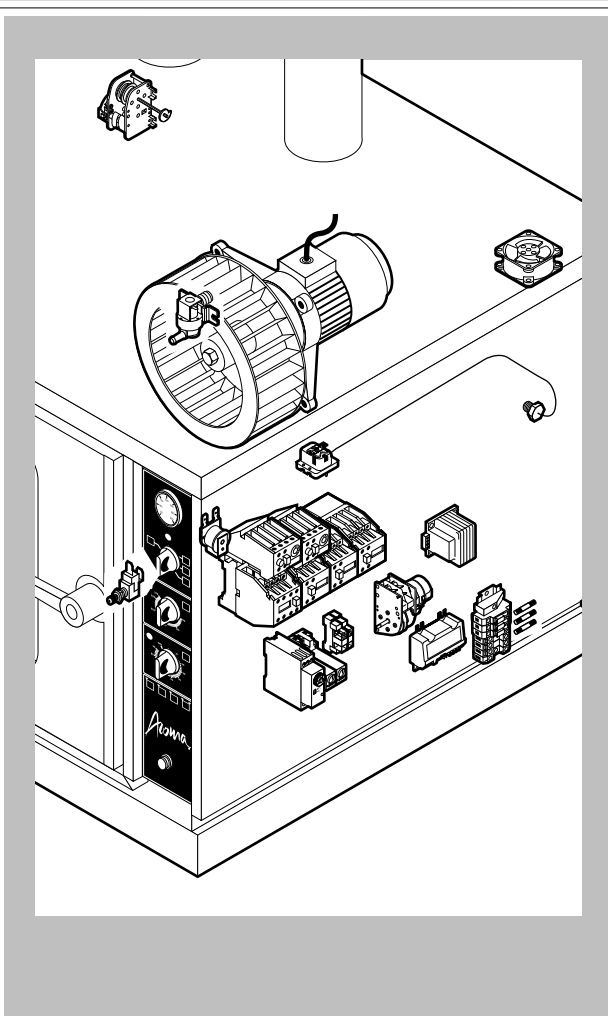
POS.	CODE	PIECES	DESCRIPTION
1	R12100010	1	DOOR ASSEMBLY
2	R12100510	1	CONTROL PANEL WITH PLATE
3	R12200020	1	COOKING CABINET ASSEMBLY
4	R12200180	1	LEFT SIDE PANEL
5	R12200200	1	RIGHT SIDE PANEL
6	R12200220	1	REAR PANEL
7	R12200270	1	COVER PANEL
8	R12200550	1	FAN GUARD PANEL ASSEMBLY
9	R12201120	1	HUMIDIFIER PIPE
10	R58006390	1	FAN GUARD FASTENING SCREW
11	R69070070	4	FOOT 1"1/4x120
12	R70042800	1	FRONT GASKET
13	R75300060	1	FAN GUARD GRID Ø 270

POS.	CODE	PIECES	DESCRIPTION



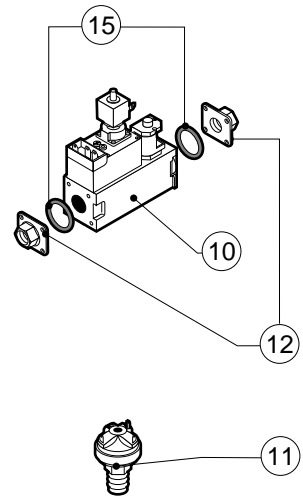
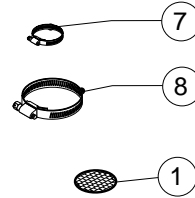
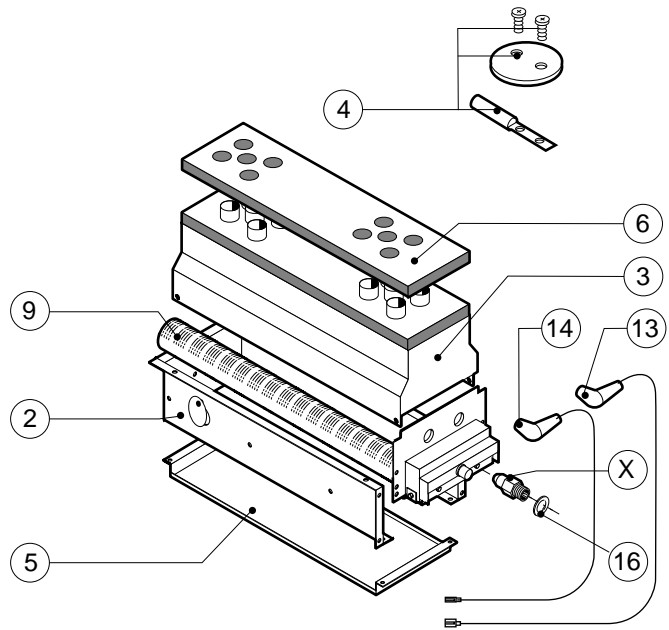
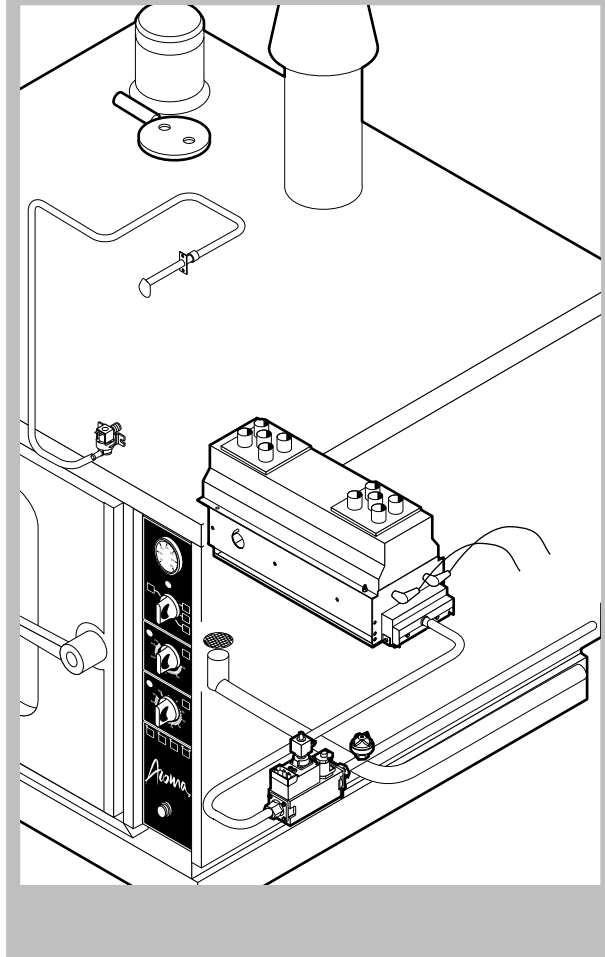
POS.	CODE	PIECES	DESCRIPTION
1	R10201290	1	UPPER DOOR HINGE
2	R12200630	1	LOWER DOOR HINGE
3	R12200810	1	FLANGED BUSH
4	R12200860	1	RIGHT GLASS FIXING BRACKET
5	R12200890	1	DOOR HANDLE
6	R12200900	1	FLANGED HANDLE BRACKET
7	R12202000	1	DOOR
8	R12202010	1	RIGHT LAMP COVER
9	R12202020	1	LEFT LAMP COVER
10	R12400880	1	LEFT GLASS FIXING BRACKET
11	R12400990	1	INNER DOOR PANEL
12	R58001920	1	DOOR HANDLE PIN
13	R58002150	1	HINGE PIN
14	R58002300	1	DOOR HANDLE ROD
15	R58002320	1	PUSH ROD
16	R58002350	1	DOOR HANDLE PRONG PIN
17	R58002370	1	HANDLE LOCKING BOLT
18	R58004050	1	NUT FOR UPPER DOOR HINGE
19	R58004781	1	DOOR HANDLE HOOK

POS.	CODE	PIECES	DESCRIPTION
20	R58005050	1	DOOR HANDLE PRONG
21	R58006370	1	DOOR HANDLE HOOK SCREW
22	R61090562	1	GRUB SCREW M8x10
23	R61620012	1	DOOR HANDLE CATCH SPRING
24	R61620041	1	DOOR HANDLE BUTTON SPRING
25	R61620102	1	HANDLE RETURN SPRING
26	R65270020	2	LIGHT 20W 12V G4
27	R65270400	2	LIGHT SOCKET
28	R67011000	1	HANDLE INSERT BLUE
29	R69015030	1	DOOR HANDLE ASSEMBLY
30	R69031220	1	DOOR HANDLE PUSH BUTTON BLUE
31	R70042500	1	DOOR GASKET
32	R70042600	1	FRONT GLASS GASKET
33	R70042700	1	REAR GLASS GASKET
34	R71200020	1	DOOR GLASS
35	R71200180	1	DOOR GLASS GOLD/BLUE



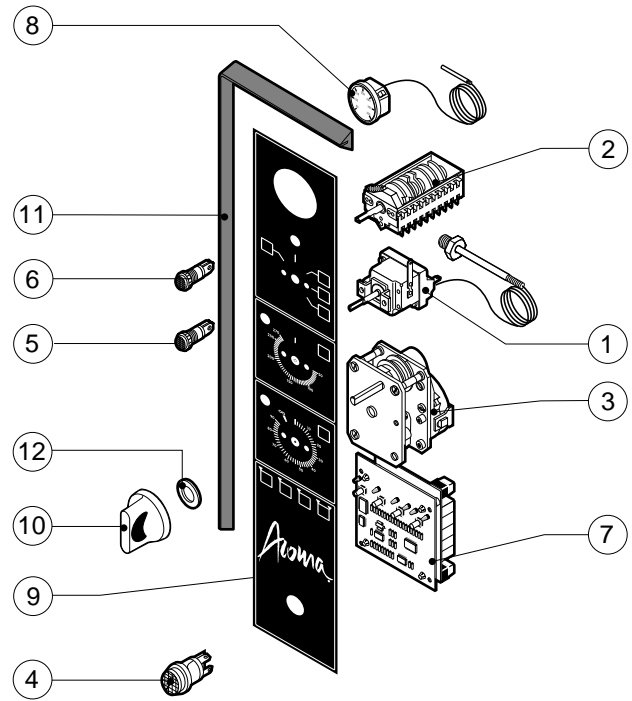
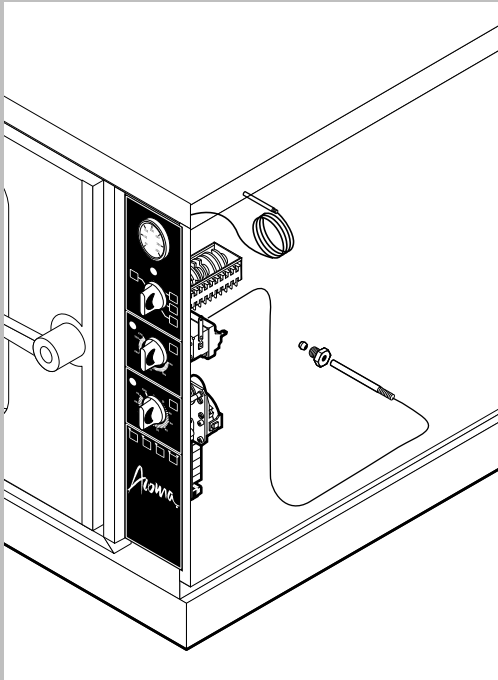
POS.	CODE	PIECES	DESCRIPTION
1	R58003840	1	MOTOR GASKET BRASS FLANGE
2	R58003850	1	MOTOR GASKET BRASS COUNTER FLANGE
3	R58004000	1	FAN SCREW M12x1.5 SX
4	R58004010	1	FAN WASHER Ø 30/12.5
5	R61020562	1	FAN SCREW TE A2 M6x55
6	R63060020	1	BURNER IGNITION PANEL S 4560 A
7	R65040051	1	MOTOR HP 1/0.3 KIT
8	R65060010	1	COMPONENTS VENTILATION MOTOR Ø 80
9	R65070070	1	CHAMBER SAFETY THERMOSTAT
10	R65090180	1	REVERSING SWITCH 8'
11	R65090450	1	IGNITION DELAY TIMER
12	R65090460	2	S.GENERATOR DRAIN TIMER FINDER MOD.85.32
13	R65095010	1	DAMPER SYSTEM
14	R65110010	1	SOLENOID VALVE 220V 50HZ
15	R65140150	3	CONTACTOR 3TF4011-OAUO 240V
16	R65140170	1	CONTACTOR 3TF4022-OAUO 240V
17	R65160110	1	THERMIC PROTECTION 3UA5000-OJ 0.63-1A
18	R65160120	1	THERMIC PROTECTION 3UA5000-1C 1.6-2.5A
19	R65170050	2	RELAY 4052 240V AC 10A

POS.	CODE	PIECES	DESCRIPTION
20	R65180430	1	TRANSFORMER 40VA
21	R65200086	1	FUSE 0.125A (T)
22	R65200200	1	FUSE 2A
23	R65200350	1	FUSE 0.4A (T)
24	R65210020	3	FUSE CARRIER
25	R65220090	1	TERMINAL BOARD
26	R65260530	1	DOOR SWITCH
27	R65330010	1	BUZZER
28	R70020050	1	MOTOR GASKET
29	R75400250	1	FAN Ø 270x120/24 50HZ P.D. KIT



POS.	CODE	PIECES	DESCRIPTION
1	R10201710	1	DRAIN FILTER
2	R12201000	1	CABINET BURNERS SUPPORT
3	R12201010	1	COMBUSTION CABINET
4	R12401420	1	VENT OUTLER BUTTERFLY
5	R12402900	1	CHAMBER BURNERS PROTECTION PLATE
6	R12403020	1	COMBUSTION CABINET INSULATION PLATE
7	R61630011	2	METAL CLAMPS 12-22/9
8	R61630041	2	METAL CLAMPS 70-90/9
9	R63015000	1	CHAMBER BURNER ASSEMBLY
10	R63020010	1	GAS SOLENOID VALVE VR4605
11	R63070010	1	GAS SAFETY PRESSURE SWITCH PG 901.61
12	R63080010	2	STRAIGHT FLANGE 1/2"
13	R66605060	1	SPARK PLUG CABLE
14	R66605070	1	SPARK PLUG CABLE
15	R70010070	2	RING
16	R70030090	2	NOZZLE GASKET
X		2	NOZZLE (See service manual)

POS.	CODE	PIECES	DESCRIPTION



POS.	CODE	PIECES	DESCRIPTION
1	R65070210	1	CABINET THERMOSTAT 50/270°C
2	R65080020	1	MAIN SELECTOR SWITCH
3	R65090050	1	TIMER 90'
4	R65260500	1	UNIPOLAR PUSH BUTTON
5	R65270220	2	ORANGE INDICATING LIGHT
6	R65270230	1	GREEN INDICATING LIGHT
7	R65300510	1	CONTROL PANEL P.C. BOARD
8	R65340050	1	THERMOMETER
9	R67011500	1	LAINOX PLATE
10	R69030150	3	KNOB KIT
11	R70040840	1	CONTROL PANEL GASKET
12	R70050020	6	KNOB GASKET

POS.	CODE	PIECES	DESCRIPTION