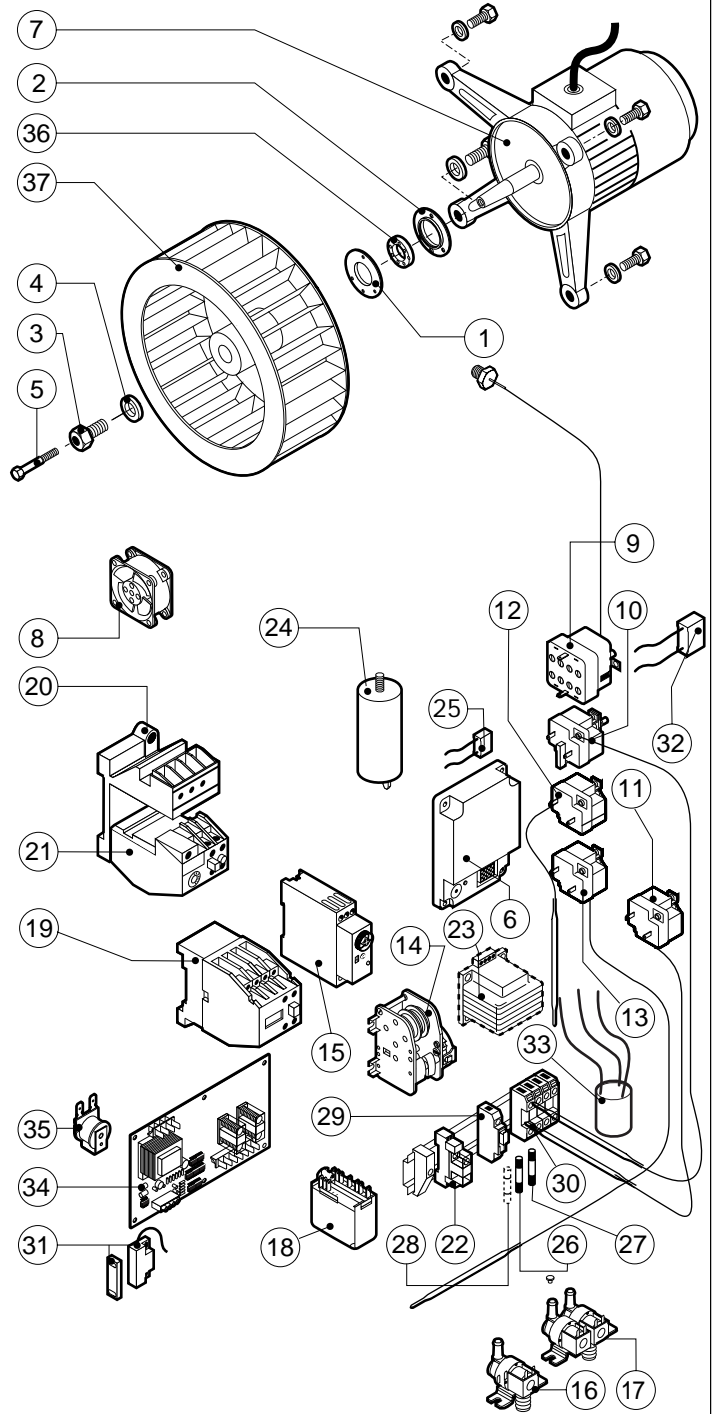
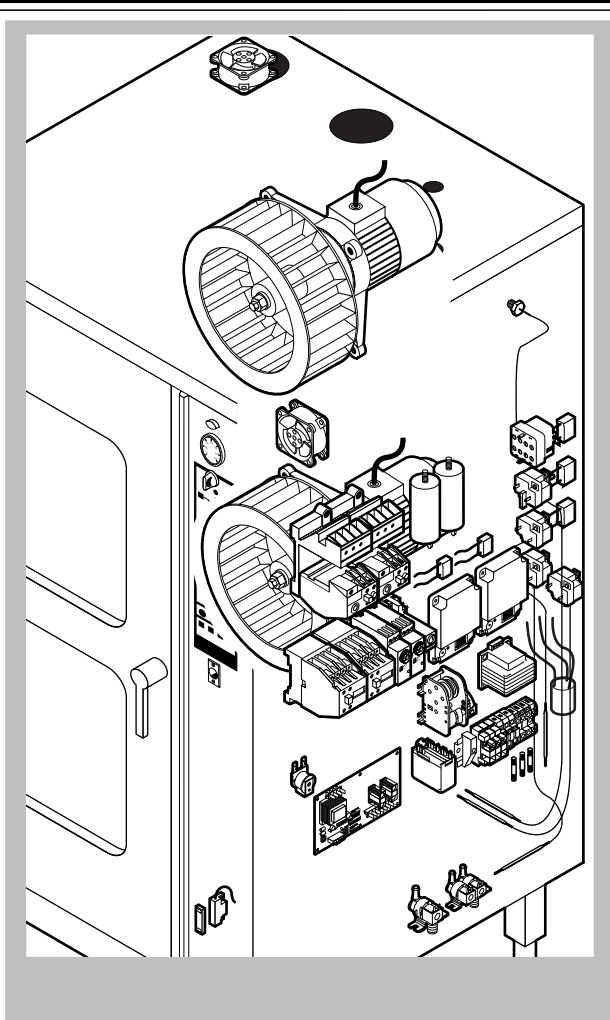


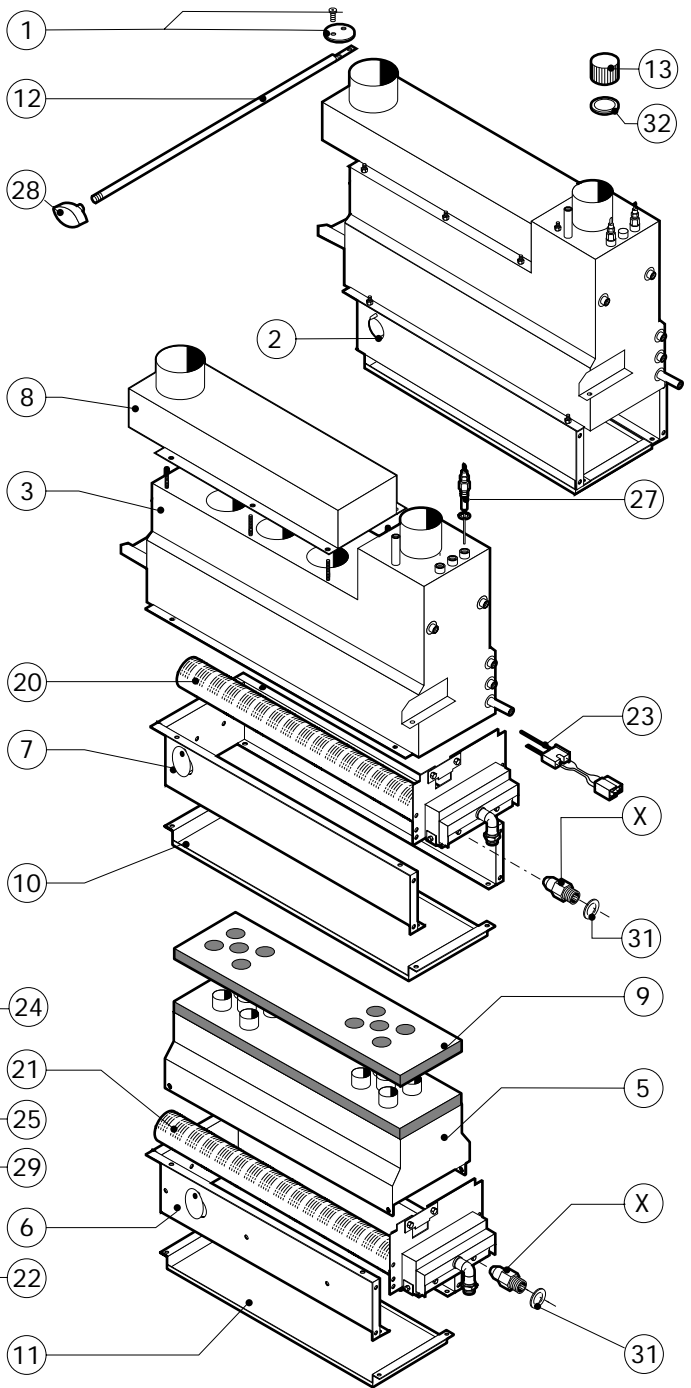
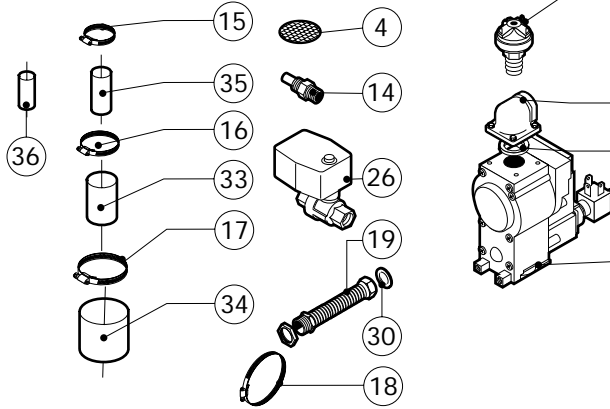
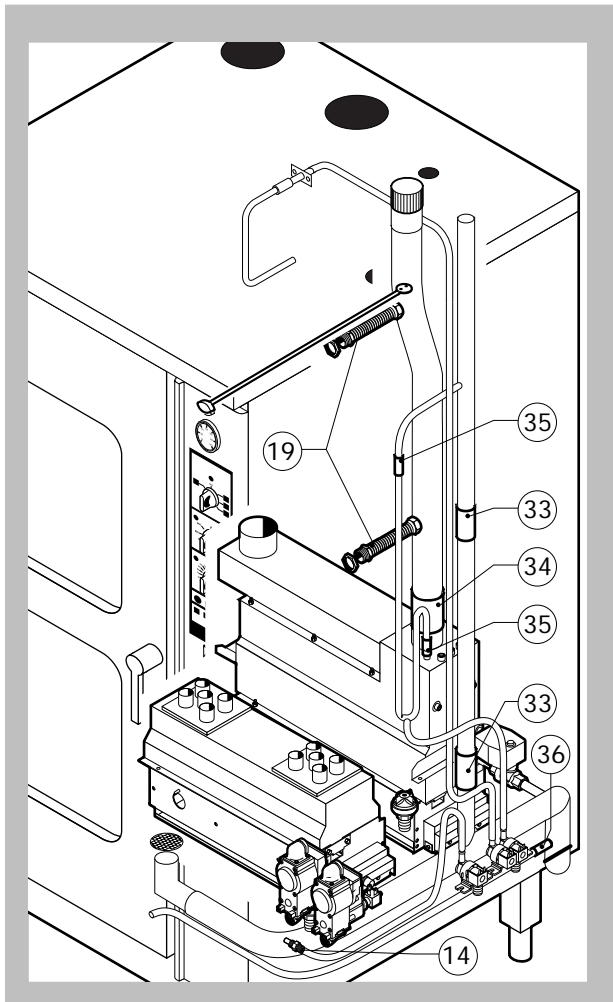
POS.	CODE	PIECES	DESCRIPTION
1	R03200970	1	DOOR LOCK REAR FLANGE
2	R10201290	1	UPPER DOOR HINGE
3	R10201330	1	LOWER DOOR HINGE WITH RETAINER
4	R10202950	1	LOWER DOOR ROD
5	R10202960	1	UPPER DOOR ROD
6	R10207680	2	DOOR ROD ADJUSTABLE PLATE
7	R10208290	1	FRONT LOWER DOOR PANEL CATCH
8	R10208300	1	FRONT UPPER DOOR PANEL CATCH
9	R10208340	1	FRONT DOOR PANEL
10	R10213700	1	DOOR
11	R10400150	2	LIGHT PROTECTION
12	R10411350	1	LOWER SQUARE FOR DOOR ROD
13	R10411360	1	UPPER SQUARE FOR DOOR ROD
14	R10456040	2	LOWER HINGE FOR FRONT DOOR PANEL
15	R10456050	1	UPPER HINGE FOR FRONT DOOR PANEL
16	R10456500	1	INNER DOOR PANEL
17	R58002150	1	HINGE PIN
18	R58002540	1	DOOR PIVOT SUNK KEY
19	R58002550	1	DOOR RETAINER GUIDE SHOE

POS.	CODE	PIECES	DESCRIPTION
20	R58002560	1	SCREW FOR LOWER DOOR HINGE
21	R58002570	1	WASHER Ø 30/15x3
22	R58003180	1	DOOR HANDLE PIN
23	R58003450	1	DOOR HANDLE
24	R58004050	1	NUT FOR UPPER DOOR HINGE
25	R58004781	1	DOOR HANDLE HOOK
26	R61040272	1	DOOR HANDLE HOOK SCREW
27	R61090052	1	GRUB SCREW M6x16
28	R61100262	1	GRUB SCREW M8x20
29	R61420021	1	ELASTIC WASHER
30	R61620091	16	BELLEVILLE WASHER Ø 14/6.4
31	R65270020	2	LIGHT 20W 12V G4
32	R65270400	2	LIGHT SOCKET
33	R69015050	1	DOOR HANDLE ASSEMBLY
34	R70040200	4	GLASS GASKET
35	R70040800	2	LIGHT PROTECTION GASKET
36	R70042040	1	DOOR GASKET
37	R71030120	2	DOOR GLASS



POS.	CODE	PIECES	DESCRIPTION
1	R58003840	2	MOTOR GASKET BRASS FLANGE
2	R58003850	2	MOTOR GASKET BRASS COUNTER FLANGE
3	R58004000	2	FAN SCREW M12x1.5 SX
4	R58004010	2	FAN WASHER Ø 30/12.5
5	R61020562	2	FAN SCREW TE A2 M6x55
6	R63060080	2	BURNER IGNITION PANEL WR 50A72-214
7	R65040041	2	MOTOR HP 1 KIT
8	R65060050	2	COMPONENTS VENTILATION MOTOR Ø 120
9	R65070070	1	CHAMBER SAFETY THERMOSTAT
10	R65070080	1	STEAM GENERATOR SAFETY THERMOSTAT
11	R65070100	1	THERMOSTAT 55°C
12	R65070165	1	THERMOSTAT 65°C
13	R65070240	1	THERMOSTAT 70°C
14	R65090190	1	REVERSING SWITCH 8'
15	R65090450	3	IGNITION DELAY TIMER
16	R65110010	1	SOLENOID VALVE 220V 50HZ
17	R65115000	1	SOLENOID VALVE 220V 50HZ WITH FLOW REDUCER
18	R65120010	1	LEVEL REGULATOR
19	R65140150	2	CONTACTOR 3TF4011-OAUO 240V

POS.	CODE	PIECES	DESCRIPTION
20	R65160050	2	THERMIC SWITCH SUPPORT 3UX1418
21	R65160130	2	THERMIC PROTECTION 3UA5000-1F 3.2-5A
22	R65170050	3	RELAY 4052 240V AC 10A
23	R65180430	1	TRANSFORMER 40VA
24	R65190030	2	CAPACITOR 16 µF
25	R65190200	2	INTERFERENCE SUPPRESSOR
26	R65200086	1	FUSE 0.125A (T)
27	R65200200	1	FUSE 2A
28	R65200350	1	FUSE 0.4A (T)
29	R65210020	3	FUSE CARRIER
30	R65220220	1	TERMINAL BOARD
31	R65265100	1	DOOR SWITCH
32	R65280130	3	INTERFERENCE SUPPRESSOR
33	R65280200	1	INTERFERENCE SUPPRESSOR
34	R65300490	1	RELAYS P.C. BOARD
35	R65330010	1	BUZZER
36	R70020050	2	MOTOR GASKET
37	R75400290	2	FAN Ø 300x120/20 50HZ P.D. KIT



POS.	KODEX	ANZAHL	BESCHREIBUNG
1	R04403460	1	ENTFEUCHTUNGSSCHIEBER Ø 46
2	R10102160	1	DAMPFERZEUGER KOMPLETT
3	R10201000	1	DAMPFERZEUGER
4	R10201710	1	ABFLUSSFILTER
5	R10202410	1	BRENNKAMMER
6	R10202530	1	HALTERUNG F. GARRAUMBRENNER
7	R10202600	1	HALTERUNG F. DAMPFERZEUGER
8	R10211860	1	SCHRAUBVERGASROHR
9	R10406250	1	ISOLIERPLATTE F. GARRAUM-BRENNKAMMER
10	R10409400	1	UNTERE BRENNERSCHUTZPLATTE F.DAMPFERZ.
11	R10411650	1	UNTERE BRENNERSCHUTZPLATTE F. GARRAUM
12	R58003510	1	SCHIEBERACHSE
13	R58005680	1	SCHRAUBVERSCHLUSS 1"1/4 F
14	R58006080	1	DUESE F. WRASENNIEDERSCHLAGSEINR. Ø 2
15	R61630011	12	VERZINKTE SCHELLEN 12-22/9
16	R61630021	2	VERZINKTE SCHELLEN 30-45/9
17	R61630031	2	VERZINKTE SCHELLEN 40-60/9
18	R61630071	4	VERZINKTE SCHELLEN 110-130/9
19	R62180022	2	FLEXROHR KOMPLETT Ø 20x3/4"

POS.	KODEX	ANZAHL	BESCHREIBUNG
20	R63016100	1	DAMPFERZEUGERBRENNER KOMPLETT
21	R63016110	1	GARRAUMBRENNER KOMPLETT
22	R63020010	2	GAS VENTIL VR4605
23	R63050040	2	GLUEHKERZE/FLAMMUEBERW. WR 768G213
24	R63070010	1	DRUCKSCHALTER PG 901.61
25	R63080020	4	FLANSCH MIT BOGEN
26	R65110540	1	BOILERABLAUFVENTIL
27	R65320010	2	WASSERSTANDSFUEHLER
28	R69010410	1	DREHKNOPF F.SCHWADENABZUG
29	R70010070	4	RING
30	R70030050	2	DICHTUNG Ø 16x24 3/4"
31	R70030090	4	DUESENDICHTUNG
32	R70050040	1	DICHTUNG DES BOILERSTUTZENS
33	R70060010	2	MUFFE Ø 30
34	R70060040	1	MUFFE Ø 50
35	R70060060	2	MUFFE Ø 15
36	R70060080	1	MUFFE Ø 13
X		2	DUESEN (Siehe betriebsanleitung)
X		2	DUESEN (Siehe betriebsanleitung)

