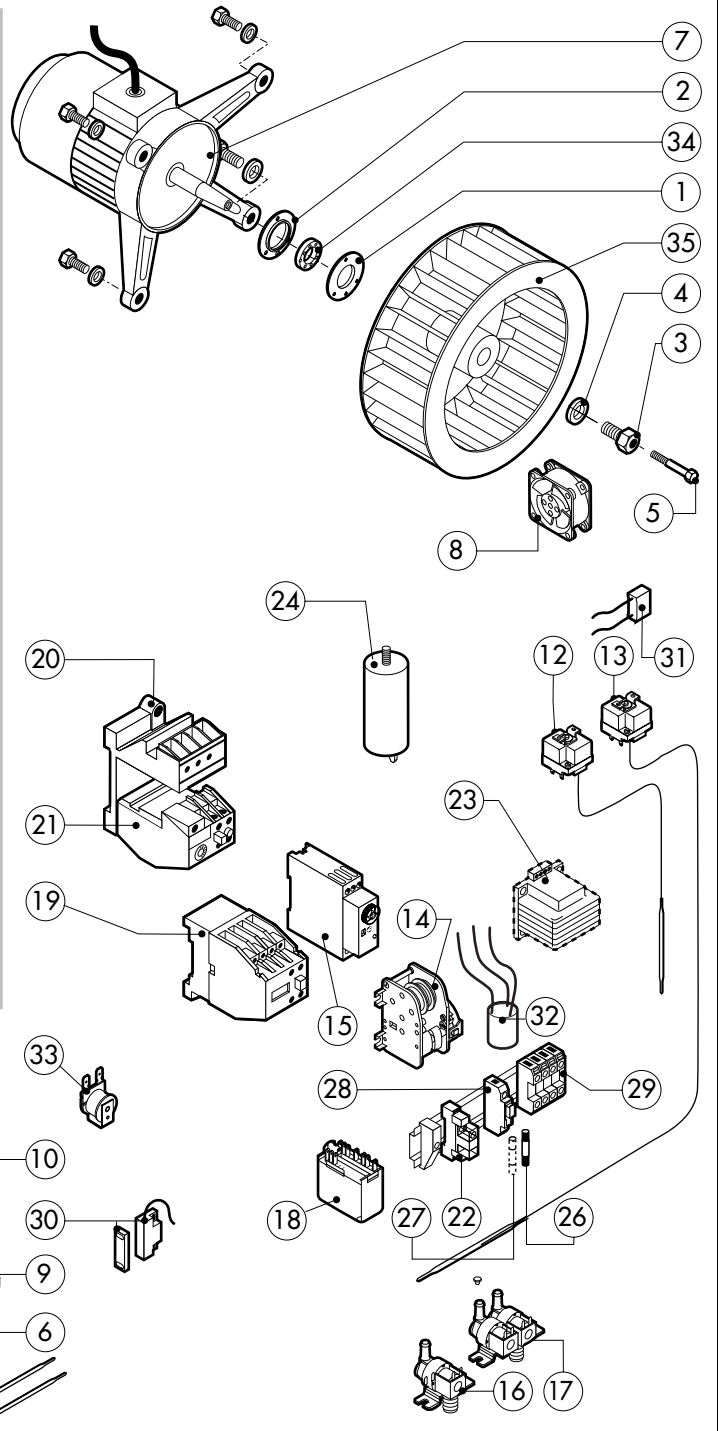
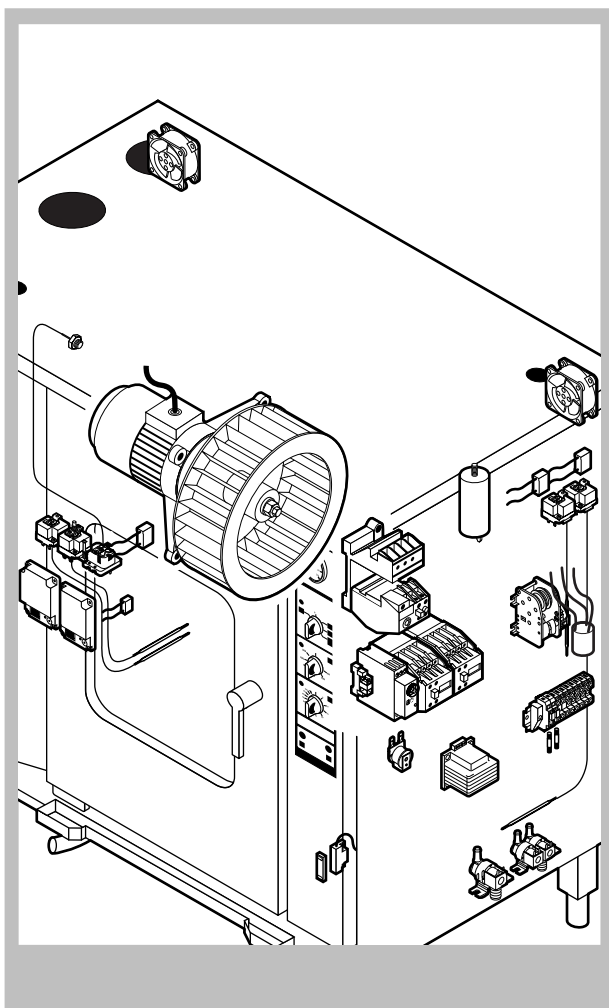


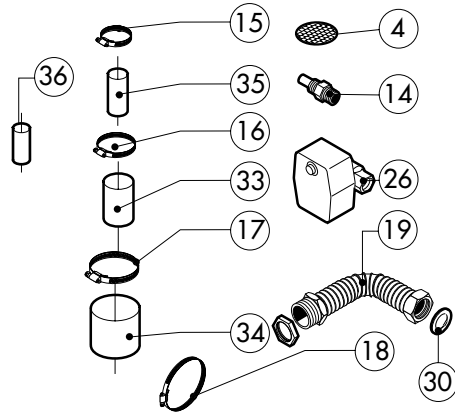
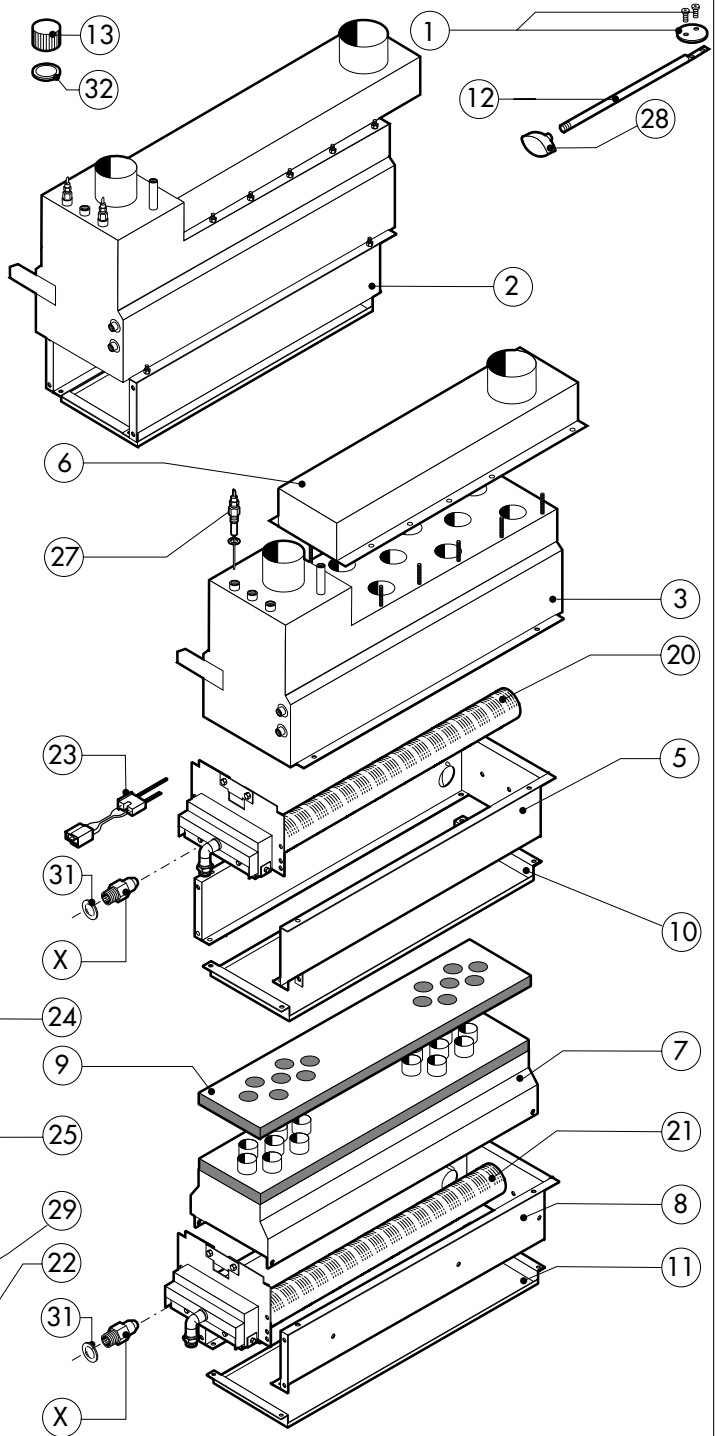
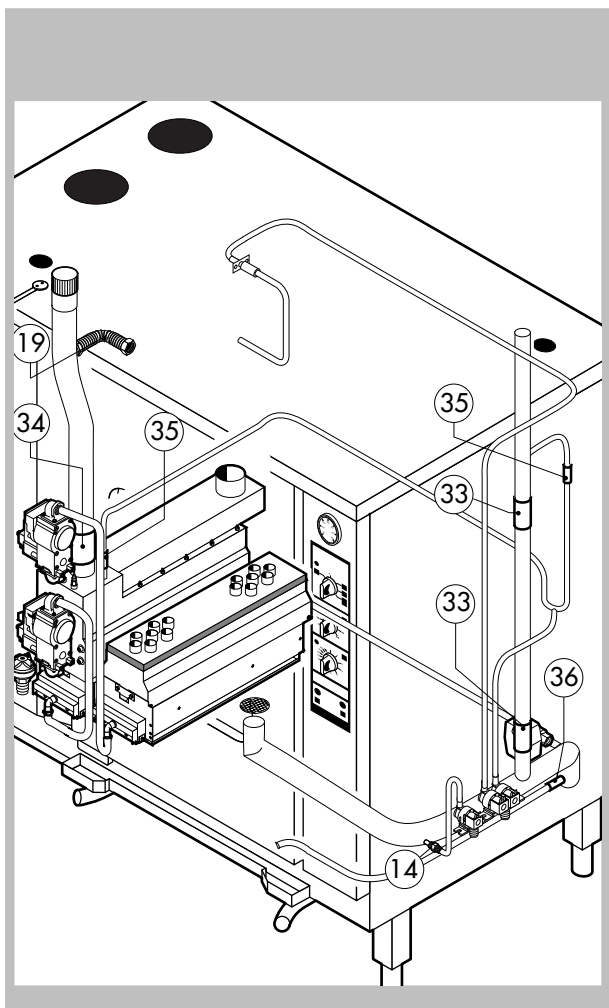
POS.	CODE	PIECES	DESCRIPTION
	R03200970		DOOR LOCK REAR FLANGE
	R10201330		LOWER DOOR HINGE WITH RETAINER
	R10207680		DOOR ROD ADJUSTABLE PLATE
	R10208290		FRONT LOWER DOOR PANEL CATCH
	R10208300		FRONT UPPER DOOR PANEL CATCH
	R10460590		DOOR
	R10222080		FRONT DOOR PANEL
	R10222140		LOWER DOOR ROD
	R10222150		UPPER DOOR ROD
	R10400150		LIGHT PROTECTION
	R10411350		LOWER SQUARE FOR DOOR ROD
	R10411360		UPPER SQUARE FOR DOOR ROD
	R10413290		UPPER DOOR HINGE
	R10456040		LOWER HINGE FOR FRONT DOOR PANEL
	R10456050		UPPER HINGE FOR FRONT DOOR PANEL
	R10460700		INNER DOOR PANEL
	R58002150		HINGE PIN
	R58002540		DOOR PIVOT SUNK KEY
	R58002550		DOOR RETAINER GUIDE SHOE

POS.	CODE	PIECES	DESCRIPTION
	R58002560		SCREW FOR LOWER DOOR HINGE
	R58002570		WASHER Ø 30/15x3
	R58003180		DOOR HANDLE PIN
	R58003450		DOOR HANDLE
	R58004050		NUT FOR UPPER DOOR HINGE
	R58004781		DOOR HANDLE HOOK
	R61040272		DOOR HANDLE HOOK SCREW
	R61090052		GRUB SCREW M6x16
	R61100262		GRUB SCREW M8x20
	R61420021		ELASTIC WASHER
	R61620091		BELLEVILLE WASHER Ø 14/6.4
	R65270020		LIGHT 20W 12V G4
	R65270400		LIGHT SOCKET
	R69015050		DOOR HANDLE ASSEMBLY
	R70040200		GLASS GASKET
	R70040800		LIGHT PROTECTION GASKET
	R70041940		DOOR GASKET
	R71030120		DOOR GLASS



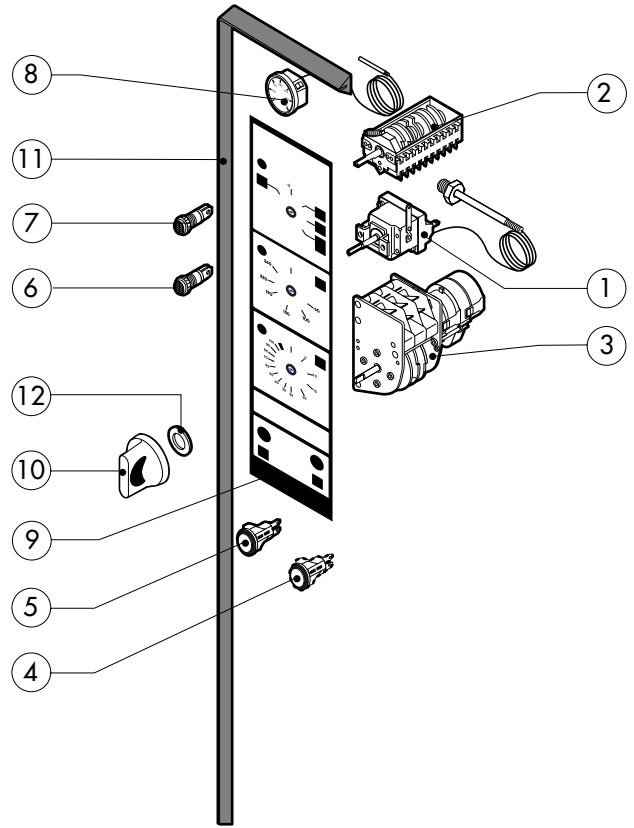
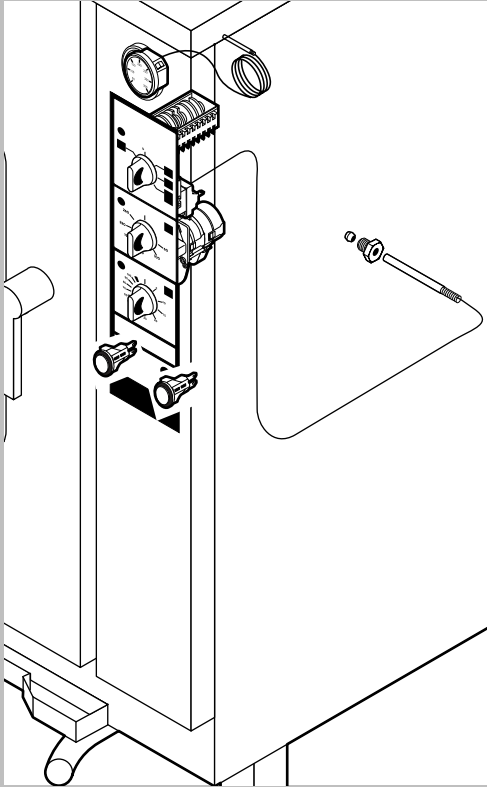
POS.	CODE	PIECES	DESCRIPTION
1	R58003840	1	MOTOR GASKET BRASS FLANGE
2	R58003850	1	MOTOR GASKET BRASS COUNTER FLANGE
3	R58004000	1	FAN SCREW M12x1.5 SX
4	R58004010	1	FAN WASHER Ø 30/12.5
5	R61020562	1	FAN SCREW TE A2 M6x55
6	R63060080	2	BURNER IGNITION PANEL WR 50A72-214
7	R65040041	1	MOTOR HP 1 KIT
8	R65060050	2	COMPONENTS VENTILATION MOTOR Ø 120
9	R65070070	1	CHAMBER SAFETY THERMOSTAT
10	R65070080	1	STEAM GENERATOR SAFETY THERMOSTAT
11	R65070100	1	THERMOSTAT 55°C
12	R65070165	1	THERMOSTAT 65°C
13	R65070240	1	THERMOSTAT 70°C
14	R65090190	1	REVERSING SWITCH 8'
15	R65090450	3	IGNITION DELAY TIMER
16	R65110010	1	SOLENOID VALVE 220V 50HZ
17	R65115000	1	SOLENOID VALVE 220V 50HZ WITH FLOW REDUCER
18	R65120010	1	LEVEL REGULATOR
19	R65140150	2	CONTACTOR 3TF4011-OAUO 240V

POS.	CODE	PIECES	DESCRIPTION
20	R65160050	1	THERMIC SWITCH SUPPORT 3UX1418
21	R65160130	1	THERMIC PROTECTION 3UA5000-1F 3.2-5A
22	R65170050	3	RELAY 4052 240V AC 10A
23	R65180430	1	TRANSFORMER 40VA
24	R65190030	1	CAPACITOR 16 µF
25	R65190200	2	INTERFERENCE SUPPRESSOR
26	R65200200	1	FUSE 2A
27	R65200350	1	FUSE 0.4A (T)
28	R65210020	2	FUSE CARRIER
29	R65220220	1	TERMINAL BOARD
30	R65265100	1	DOOR SWITCH
31	R65280130	3	INTERFERENCE SUPPRESSOR
32	R65280200	1	INTERFERENCE SUPPRESSOR
33	R65330010	1	BUZZER
34	R70020050	1	MOTOR GASKET
35	R75400380	1	FAN Ø 350x120/24 50HZ P.D. KIT



POS.	CODE	PIECES	DESCRIPTION
1	R04403460	1	CHAMBER VENT PLATE Ø 46
2	R10102160	1	STEAM GENERATOR ASSEMBLY
3	R10201000	1	STEAM GENERATOR
4	R10201720	1	DRAIN FILTER
5	R10202600	1	STEAM GENERATOR SUPPORT
6	R10211860	1	STEAM GENERATOR GAS FLUE PIPE
7	R10222280	1	COMBUSTION CABINET
8	R10222310	1	CABINET BURNERS SUPPORT
9	R10406250	1	COMBUSTION CABINET INSULATION PLATE
10	R10409400	1	STEAM GENERATOR BURNERS PROTECTION PLATE
11	R10414110	1	CHAMBER BURNERS PROTECTION PLATE
12	R58003530	1	CHAMBER VENT ROD
13	R58005680	1	STEAM GENERATOR DESCALING CAP 1"1/4 F
14	R58006080	1	STEAM QUENCHING NOZZLE Ø 2
15	R61630011	12	METAL CLAMPS 12-22/9
16	R61630021	2	METAL CLAMPS 30-45/9
17	R61630031	2	METAL CLAMPS 40-60/9
18	R61630071	4	METAL CLAMPS 110-130/9
19	R62180032	1	FLEXIBLE STEEL PIPE Ø 1"1/4 ASSEMBLY

POS.	CODE	PIECES	DESCRIPTION
20	R63016100	1	STEAM GENERATOR BURNER ASSEMBLY
21	R63016120	1	CHAMBER BURNER ASSEMBLY
22	R63020010	2	GAS SOLENOID VALVE VR4605
23	R63050040	2	IGNITOR/SENSOR WR 768G213
24	R63070010	1	GAS SAFETY PRESSURE SWITCH PG 901.61
25	R63080020	4	CURVED FLANGE 1/2"
26	R65110540	1	STEAM GENERATOR DRAIN MOTORIZED VALVE
27	R65320010	2	STEAM GENERATOR LEVEL PROBE
28	R69010410	1	STEAM OUTLET KNOB
29	R70010070	4	RING
30	R70030080	1	GASKET Ø 27x39 1"1/4
31	R70030090	4	NOZZLE GASKET
32	R70050040	1	STEAM GENERATOR CAP GASKET
33	R70060010	2	SILICON COUPLING Ø 30
34	R70060040	1	SILICON COUPLING Ø 50
35	R70060060	2	SILICON COUPLING Ø 15
36	R70060080	1	SILICON COUPLING Ø 13
X		2	NOZZLE (See service manual)
X		2	NOZZLE (See service manual)



POS.	CODE	PIECES	DESCRIPTION
1	R65070210	1	CABINET THERMOSTAT 50/270°C
2	R65080020	1	MAIN SELECTOR SWITCH
3	R65090200	1	TIMER
4	R65260120	1	SWITCH
5	R65260520	1	HUMIDIFIER PUSH BUTTON
6	R65270220	2	ORANGE INDICATING LIGHT
7	R65270230	1	GREEN INDICATING LIGHT
8	R65340050	1	THERMOMETER
9	R67012350	1	LAINOX PLATE
10	R69030150	3	KNOB KIT
11	R70040860	1	CONTROL PANEL GASKET
12	R70050020	6	KNOB GASKET

POS.	CODE	PIECES	DESCRIPTION