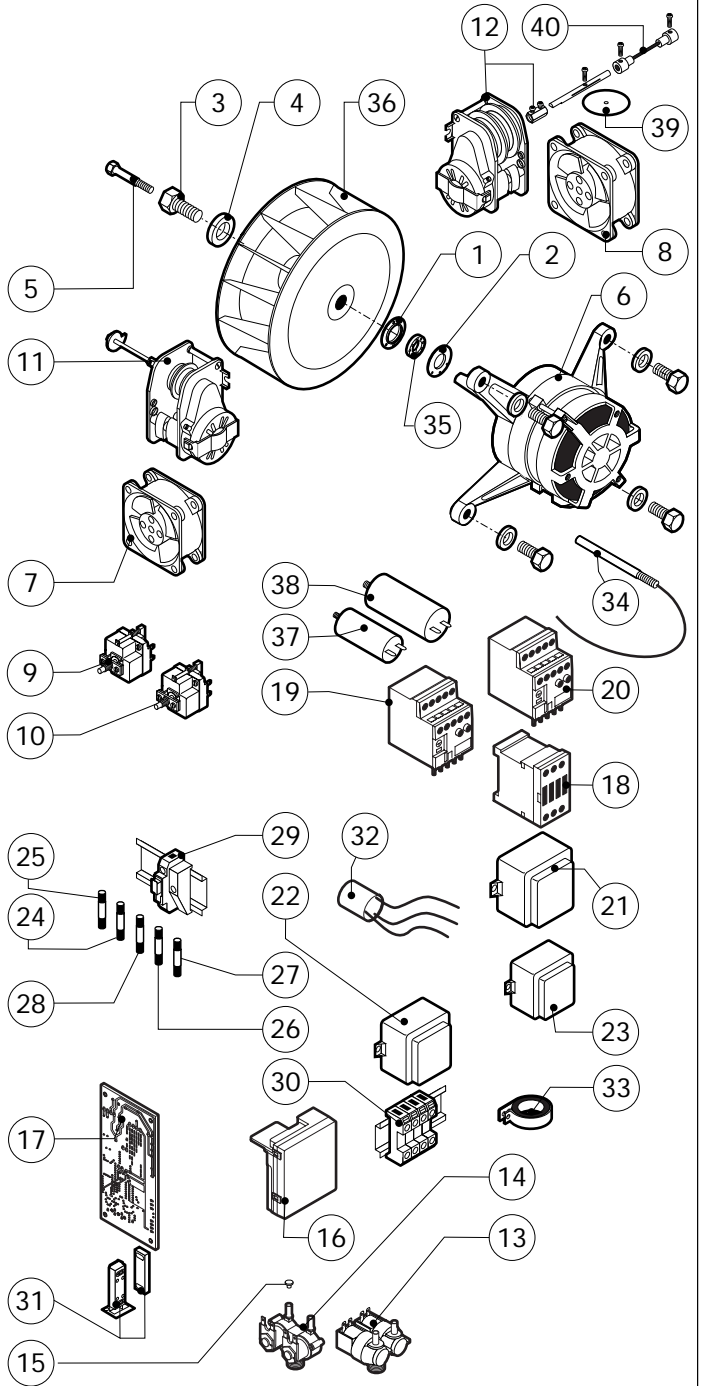
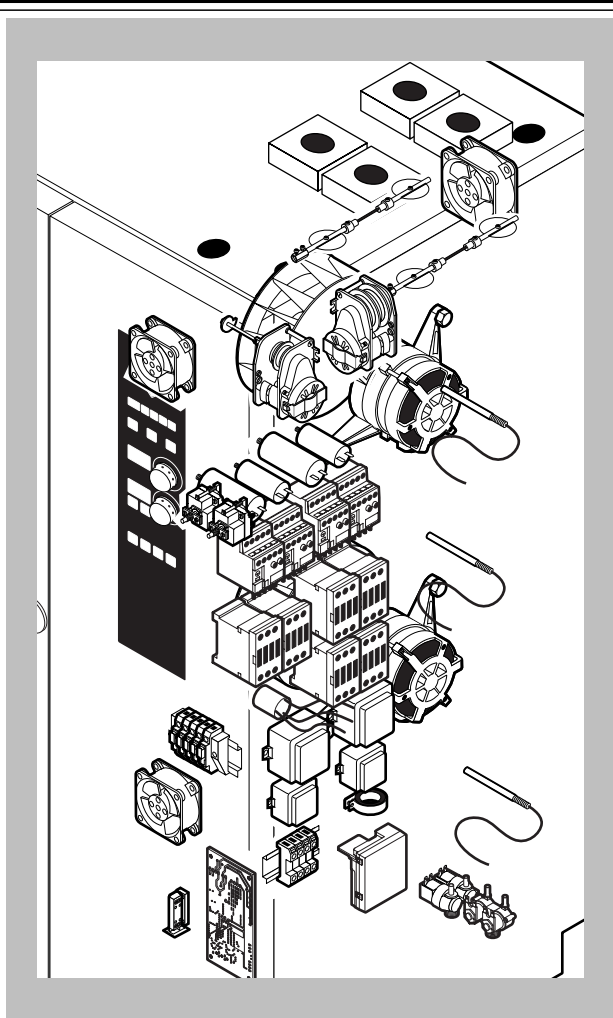


POS.	CODE	PIECES	DESCRIPTION
1	R11100181	1	DOOR
2	R11205361	1	INNER DOOR PANEL
3	R11100150	1	INNER DOOR GLASS
4	R70044300	1	GASKET FOR TROLLEY(0,7MT)
5	R58001760	2	INNER GLASS SOLID HINGE
6	R58001770	2	INNER GLASS HINGE PIN
7	R58001780	2	INNER GLASS CATCH KIT
8	R11411860	2	"C" PROFILE
9	R11205390	1	LOWER DOOR HINGE WITH RETAINER
10	R58002540	1	DOOR PIVOT SUNK KEY
11	R58002550	1	DOOR RETAINER GUIDE SHOE
12	R58002560	1	SCREW FOR LOWER DOOR HINGE
13	R58002570	1	WASHER Ø 30/15x3
14	R61620091	16	BELLEVILLE WASHER Ø 14/6.4
15	R11200560	1	UPPER DOOR HINGE
16	R58002150	1	HINGE PIN
17	R58004050	1	NUT FOR UPPER DOOR HINGE
18	R11411520	1	UPPER SQUARE FOR DOOR ROD
19	R11205400	1	LOWER SQUARE FOR DOOR ROD
20	R10207680	2	DOOR ROD ADJUSTABLE PLATE
21	R70050100	9	GLASS SILICON SPACERS
22	R70044160	1	GLASS GASKET (3,72MT)

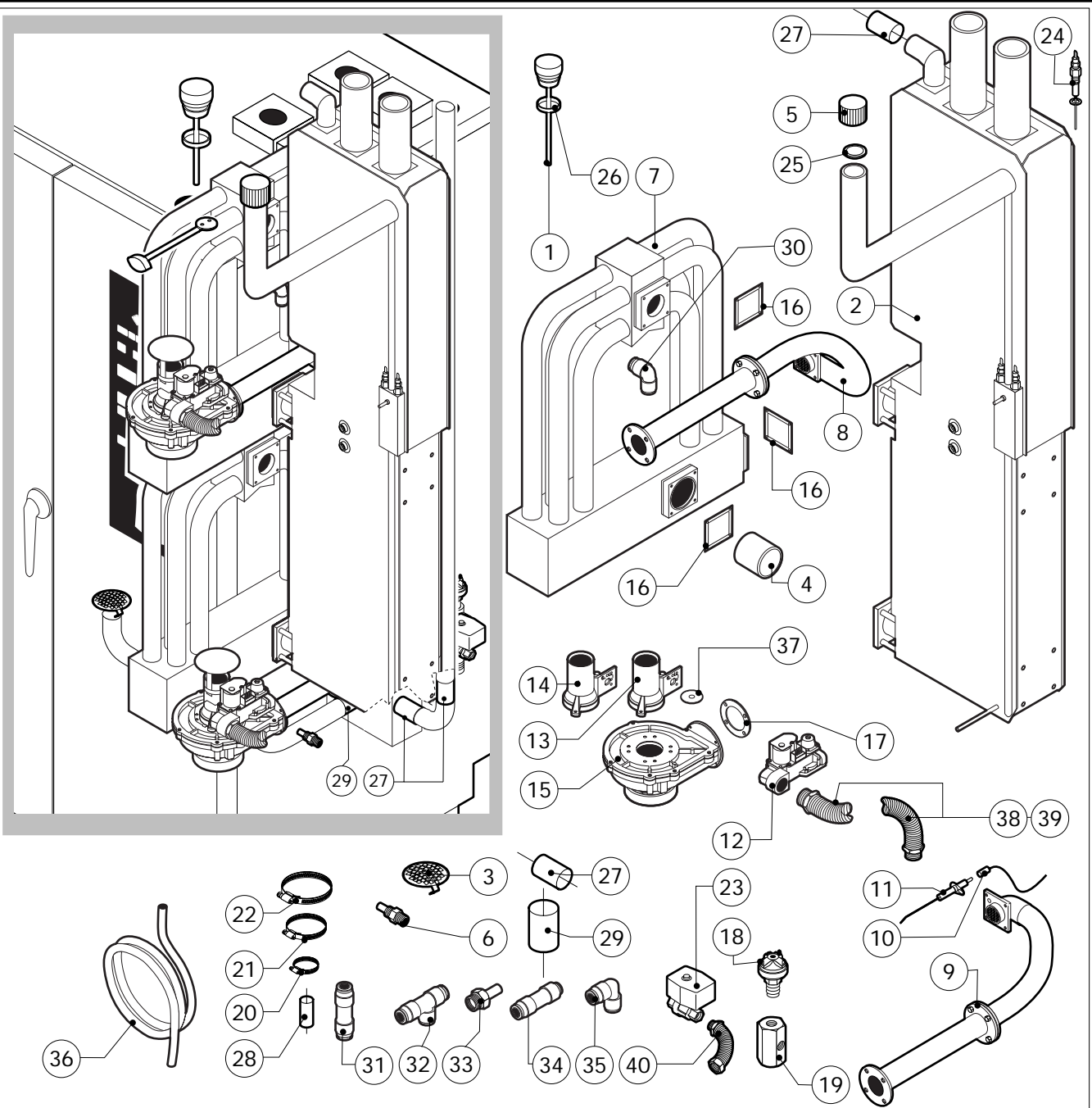
POS.	CODE	PIECES	DESCRIPTION
23	R66110320	1	DOOR LAMPS CABLE SET
24	R11401440	2	LAMP COVER
25	R71500150	2	GLASS LAMP
26	R70044200	2	GLASS LAMP
27	R11401450	2	GLASS HOLDER LAMP FLANGE
28	R65270020	2	LIGHT 20W 12V G4
29	R65270450	2	LIGHT SOCKET
30	R65260750	1	LAMPS CONTACT BLOCK
31	R66110300	1	LAMPS CONTACT CABLE SET
32	R11100310	1	DOOR HANDLE ASSEMBLY
33	R61090052	1	GRUB SCREW M6x16
34	R69010600	1	DOOR HANDLE
35	R69010610	1	HANDLE
36	R61030601	1	CYLINDRICAL HEAD SCREW
37	R11205340	1	DOOR HANDLE PIN
38	R03200970	1	DOOR LOCK REAR FLANGE
39	R58004781	1	DOOR HANDLE HOOK
40	R61040272	1	DOOR HANDLE HOOK SCREW
41	R61420021	1	ELASTIC WASHER
42	R11205381	1	LOWER DOOR ROD
43	R11205370	1	UPPER DOOR ROD



POS.	CODE	PIECES	DESCRIPTION
1	R58003840	2	MOTOR GASKET BRASS FLANGE
2	R58003850	2	MOTOR GASKET BRASS COUNTER FLANGE
3	R58004000	2	FAN SCREW M12x1.5 SX
4	R58004010	2	FAN WASHER Ø 30/12.5
5	R61020562	2	FAN SCREW TE A2 M6x55
6	*R65040540	2	MOTOR HP 1/0.3 KIT
7	R65060050	2	COMPONENTS VENTILATION MOTOR Ø 120
8	R65060060	1	COMPONENTS VENTILATION MOTOR Ø 150
9	R65070350	1	CHAMBER SAFETY THERMOSTAT
10	R65070081	1	STEAM GENERATOR SAFETY THERMOSTAT
11	R65095000	1	DAMPER SYSTEM
12	R65090240	1	DRAIN MOTOR
13	R65110210	1	SOLENOID VALVE 220V 50HZ
14	R65110230	1	SOLENOID VALVE 220V 50HZ WITH FLOW REDUCER
15	R65110500	2	10 LT/H WATER FLOW REDUCER
16	R63060120	2	BURNER IGNITION PANEL
17	R63130020	2	GAS BURNER FAN MOTOR PCBOARD
18	*R65140380	6	CONTACTOR 3RT1016-1AP02 240V
19	*R65160590	2	THERMIC PROTECTION 3RU1116-1EBO 2,8-4,0A
20	*R65160620	2	THERMIC PROTECTION 3RU1116-1BBO 1,4-2,0A

POS.	CODE	PIECES	DESCRIPTION
21	R65180770	2	TRANSFORMER 50VA
22	R65180430	1	TRANSFORMER 40VA
23	R65180420	1	TRANSFORMER 20VA
24	R65200086	1	FUSE 0.125A (T)
25	R65200200	1	FUSE 2A
26	R65200150	2	FUSE 1A
27	R65200040	2	FUSE 0.500A (T)
28	R65200040	1	FUSE 0.25A (T)
29	R65210020	7	FUSE CARRIER
30	R65220130	1	TERMINAL BOARD
31	R65265100	1	DOOR SWITCH
32	*R65280210	1	INTERFERENCE SUPPRESSOR
33	*R65280450	1	FERRITE
34	R65325000	3	PROBE PT100
35	R70020050	2	MOTOR GASKET
36	R75400440	2	FAN Ø 350x114/12 50HZ P.D. KIT
37	*R65190180	2	CAPACITOR 10 µF
38	*R65190050	2	CAPACITOR 20 µF
39	R11402840	4	SMOKES OUTKET PLATE
40	R61660000	2	CARDAN JOINT

*COMPONENT SUBMITTED TO CHANGEMENTS CAUSED BY TENSION DIFFERENT FROM THE STANDARD (3N AC400V 50HZ)



POS.	CODE	PIECES	DESCRIPTION
1	R11100270	1	DAMPER SYSTEM CAP
2	R11100400	1	STEAM GENERATOR ASSEMBLY - UNTIL N°2604CRXXXXX0
	R11100610	1	STEAM GENERATOR ASSEMBLY - FROM N°2704CRXXXXX1
3	R10201710	1	DRAIN FILTER
4	R70080010	2	CERAMIC PROTECTION TUBE
5	R58005680	1	STEAM GENERATOR DESCALING CAP 1"1/4 F
6	R58006140	2	STEAM QUENCHING NOZZLE Ø 1,5
7	R11203650	2	HEAT EXCHANGER ASSEMBLY - UNTIL N°2604CRXXXXX0
	R11203640	2	HEAT EXCHANGER ASSEMBLY - FROM N°2704CRXXXXX1
8	R11206410	1	TOP BURNER ASSEMBLY - UNTIL N°2604CRXXXXX0
8	R11206700	1	TOP BURNER ASSEMBLY - FROM N°2704CRXXXXX1
9	R11206360	1	LOWER BURNER ASSEMBLY - UNTIL N°2604CRXXXXX0
9	R11206720	1	LOWER BURNER ASSEMBLY - FROM N°2704CRXXXXX1
10	R66110400	2	FLAME IGNITION CABLE/FLAME SENSOR CABLE
11	R63050100	4	IGNITOR
12	R63020170	2	GAS SOLENOID VALVE
13	R63120010	2	VENTURI TUBE (GPL)
14	R63120040	2	VENTURI TUBE (METHANE)
15	R63130010	2	GAS BURNER FAN MOTOR
16	R63140020	12	BURNER/HEAT EXCHANGER GASKET
17	R63140050	4	BURNER/FAN MOTOR GASKET
18	R63070010	1	GAS SAFETY PRESSURE SWITCH PG 901.61
19	R58003390	1	PRESSURE SWITCH BRASS PIPE FITTING

POS.	CODE	PIECES	DESCRIPTION
20	R61630011	2	METAL CLAMPS 12-22/9
21	R61630031	6	METAL CLAMPS 40-60/9
22	R61630110	2	METAL CLAMPS 44-56/12
23	R65110560	1	STEAM GENERATOR DRAIN MOTORIZED VALVE
24	R65320010	2	STEAM GENERATOR LEVEL PROBE
25	R70050040	1	STEAM GENERATOR CAP GASKET
26	R70060100	1	DAMPER SYSTEM CAP GASKET
27	R70060040	3	SILICON COUPLING Ø 50
28	R70060080	1	SILICON COUPLING Ø 13
29	R70060050	1	SILICON COUPLING Ø 60
30	R62090478	6	ELBOW MIDLING PIPE FITTING D.10
31	R62090458	3	STRAIGHT MIDLING PIPE FITTING D.10
32	R62090468	1	"T" MIDLING PIPE FITTING D.10
33	R62090608	2	8X1/8 END SIDE PIPE FITTING (WITH TANG)
34	R62090618	1	10-8 MIDLING REDUCTION
35	R62090628	1	10-8 ELBOW REDUCTION
36	R70070040	1	PE D.10 MM X7 WATER FLEXIBLE PIPE (4 MT LONG)
37	R58004200	2	ORIFICE (FOR VERSION LIQUID GAS)
38	R62180082	1	GAS INLET FLEXIBLE PIPE 0.5-1 MT
39	R62180112	1	GAS INLET FLEXIBLE PIPE 1-2 MT
40	R62180022	1	FLEXIBLE PIPE FOR BOILER DESCALING

