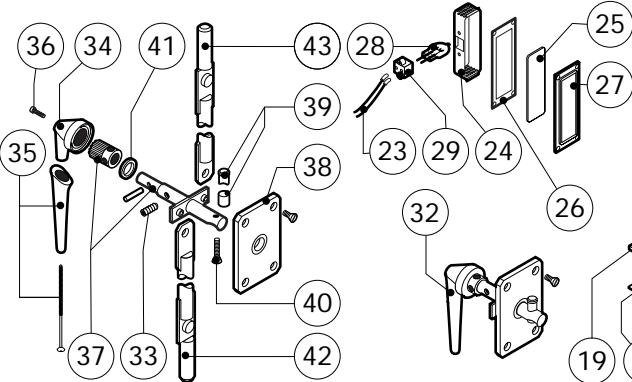
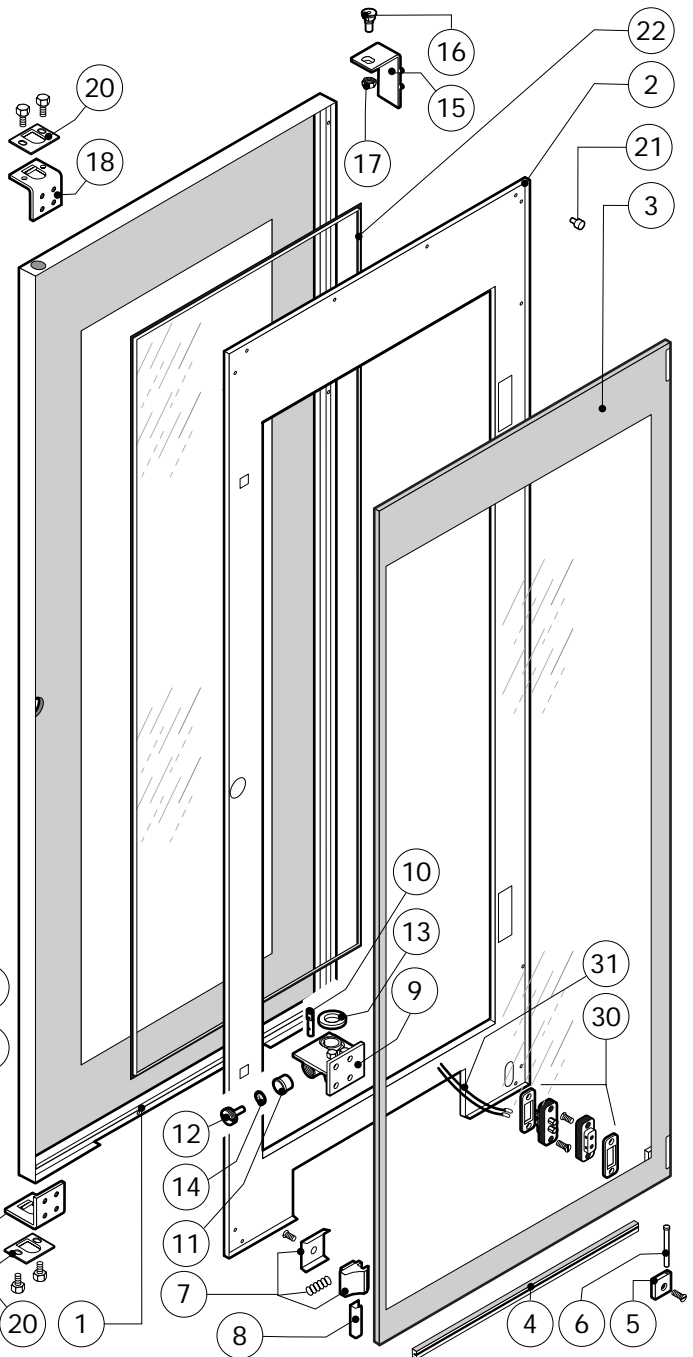
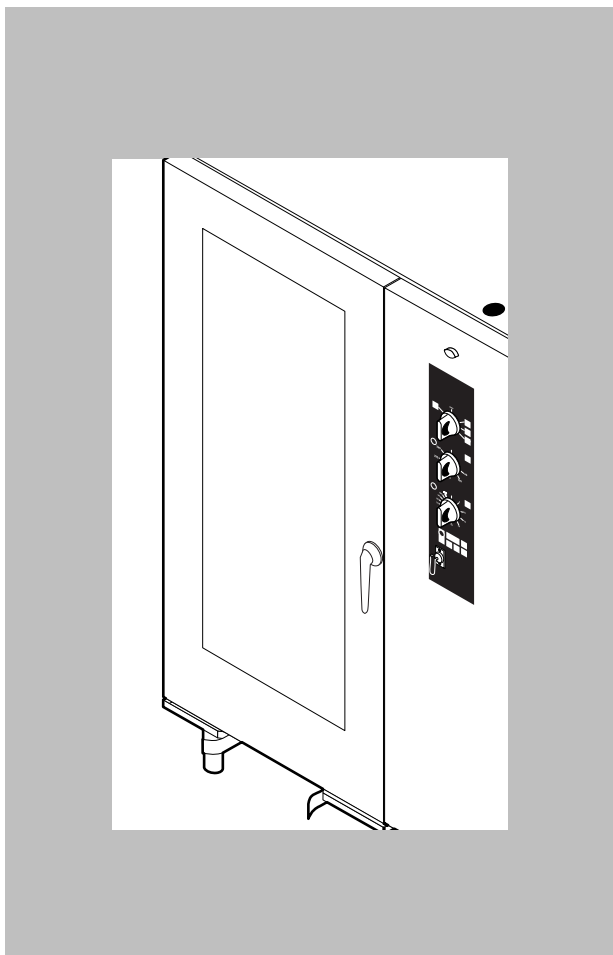


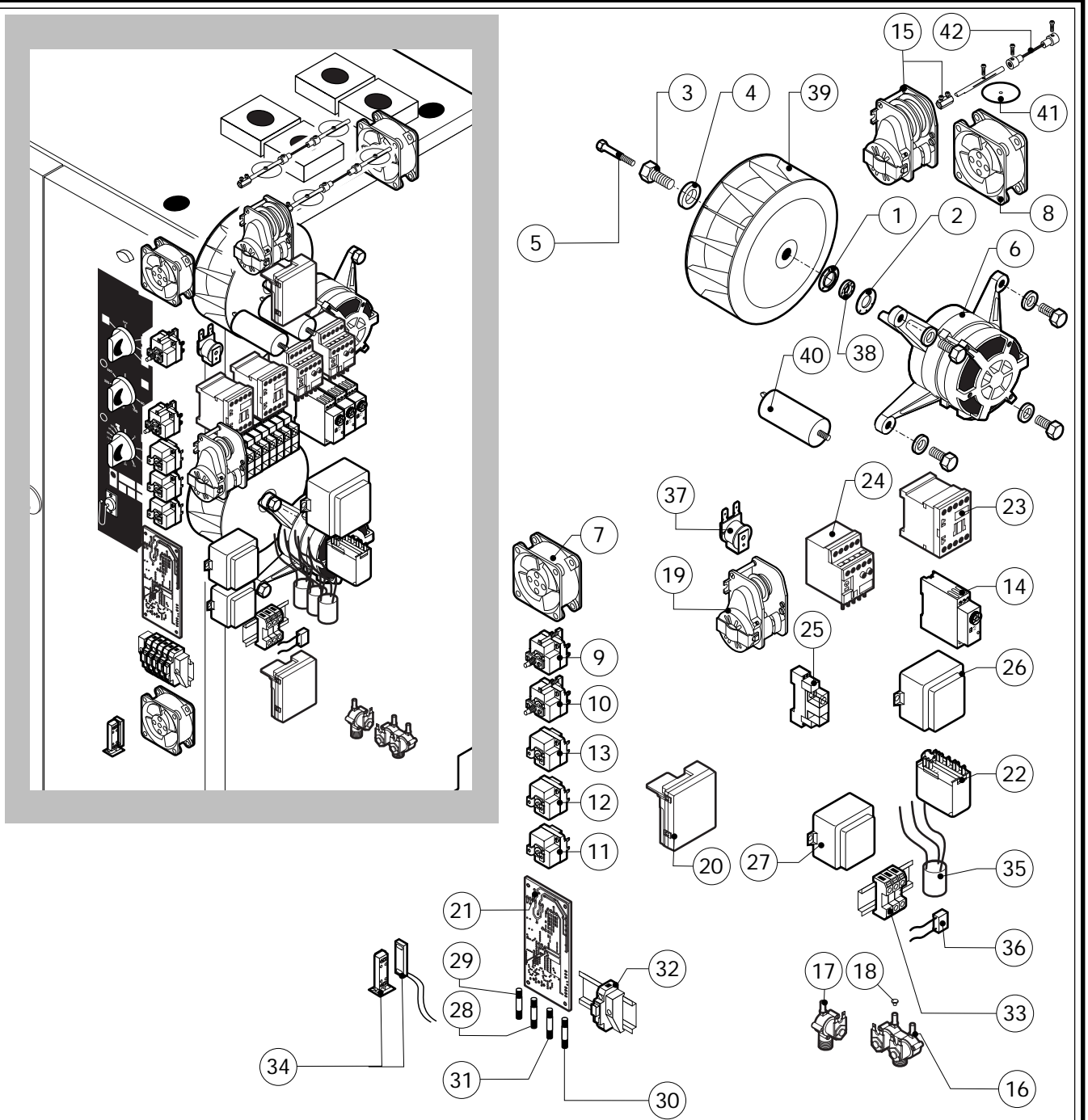
POS.	CODE	PIECES	DESCRIPTION
1	R11100110	1	DOOR ASSEMBLY
2	R11206081	1	CONTROL PANEL
3	R11201970	2	SPRITZER EXTENSION
4	R11200380	2	SPRITZER UNION
5	R11206300	1	COOKING CABINET ASSEMBLY - UNTIL N°2604CRXXXXX0
	R11206290	1	COOKING CABINET ASSEMBLY - FROM N°2704CRXXXXX1
6	R11203150	1	TOP FAN GUARD PANEL ASSEMBLY
7	R11206100	1	LOWER FAN GUARD PANEL ASSEMBLY
8	R11206141	1	RIGHT SIDE PANEL
9	R11206131	1	LEFT SIDE PANEL
10	R11412130	1	REAR PANEL - UNTIL N°2604CRXXXXX0
	R11413950	1	REAR PANEL - FROM N°2704CRXXXXX1
11	R11412650	1	BACK COOLING BOX
12	R11206320	1	COVER PANEL
13	R11402980	4	DRAINAGE PIPE PROTECTION
14	R58003100	4	FAN GUARD FASTENING SCREW
15	R70044140	1	FRONT GASKET
16	R75300090	2	FAN GUARD GRID Ø 350
17	R69070020	4	FOOT 1"1/2x130

POS.	CODE	PIECES	DESCRIPTION
18	R69090090	2	WHEEL
19	R69090100	2	WHEEL WITH BRAKE
20	R10457840	1	HANDLE FOR TROLLEY
21	R11206490	1	TRAY FOR TROLLEY



POS.	CODE	PIECES	DESCRIPTION
1	R11100180	1	DOOR
2	R11205361	1	INNER DOOR PANEL
3	R11100150	1	INNER DOOR GLASS
4	R70044300	1	GASKET FOR TROLLEY(0,7MT)
5	R58001760	2	INNER GLASS SOLID HINGE
6	R58001770	2	INNER GLASS HINGE PIN
7	R58001780	2	INNER GLASS CATCH KIT
8	R11411860	2	"C" PROFILE
9	R11205390	1	LOWER DOOR HINGE WITH RETAINER
10	R58002540	1	DOOR PIVOT SUNK KEY
11	R58002550	1	DOOR RETAINER GUIDE SHOE
12	R58002560	1	SCREW FOR LOWER DOOR HINGE
13	R58002570	1	WASHER Ø 30/15x3
14	R61620091	16	BELLEVILLE WASHER Ø 14/6.4
15	R11200560	1	UPPER DOOR HINGE
16	R58002150	1	HINGE PIN
17	R58004050	1	NUT FOR UPPER DOOR HINGE
18	R11411520	1	UPPER SQUARE FOR DOOR ROD
19	R11205400	1	LOWER SQUARE FOR DOOR ROD
20	R10207680	2	DOOR ROD ADJUSTABLE PLATE
21	R70050100	9	GLASS SILICON SPACERS
22	R70044160	1	GLASS GASKET (3,72MT)

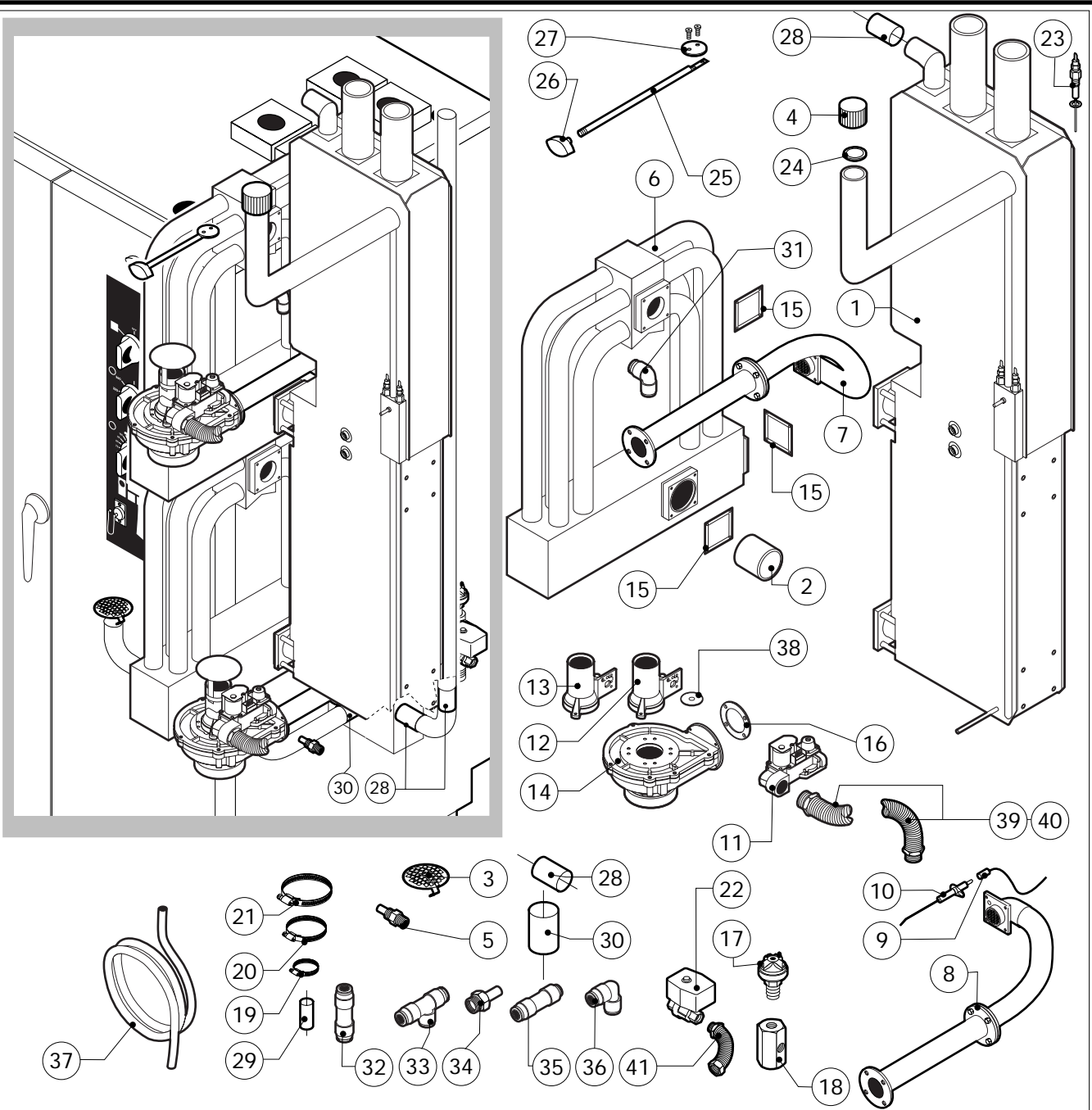
POS.	CODE	PIECES	DESCRIPTION
23	R66110320	1	DOOR LAMPS CABLE SET
24	R11401440	2	LAMP COVER
25	R71500150	2	GLASS LAMP
26	R70044200	2	GLASS LAMP
27	R11401450	2	GLASS HOLDER LAMP FLANGE
28	R65270020	2	LIGHT 20W 12V G4
29	R65270450	2	LIGHT SOCKET
30	R65260750	1	LAMPS CONTACT BLOCK
31	R66110300	1	LAMPS CONTACT CABLE SET
32	R11100310	1	DOOR HANDLE ASSEMBLY
33	R61090052	1	GRUB SCREW M6x16
34	R69010600	1	DOOR HANDLE
35	R69010610	1	HANDLE
36	R61030601	1	CYLINDRICAL HEAD SCREW
37	R11205340	1	DOOR HANDLE PIN
38	R03200970	1	DOOR LOCK REAR FLANGE
39	R58004781	1	DOOR HANDLE HOOK
40	R61040272	1	DOOR HANDLE HOOK SCREW
41	R61420021	1	ELASTIC WASHER
42	R11205381	1	LOWER DOOR ROD
43	R11205370	1	UPPER DOOR ROD



POS.	CODE	PIECES	DESCRIPTION
1	R58003840	2	MOTOR GASKET BRASS FLANGE
2	R58003850	2	MOTOR GASKET BRASS COUNTER FLANGE
3	R58004000	2	FAN SCREW M12x1.5 SX
4	R58004010	2	FAN WASHER Ø 30/12.5
5	R61020562	2	FAN SCREW TE A2 M6x55
6	*R65040550	2	MOTOR KW 055 F1 4P 200-240V KIT
7	R65060050	2	COMPONENTS VENTILATION MOTOR Ø 120
8	R65060060	1	COMPONENTS VENTILATION MOTOR Ø 150
9	R65070350	1	CHAMBER SAFETY THERMOSTAT
10	R65070081	1	STEAM GENERATOR SAFETY THERMOSTAT
11	R65070100	1	THERMOSTAT 55°C
12	R65070165	1	THERMOSTAT 65°C
13	R65070240	1	THERMOSTAT 70°C
14	R65090450	2	S.GENERATOR DRAIN TIMER
15	R65090240	1	DRAIN MOTOR
16	R65110210	1	SOLENOID VALVE 220V 50HZ
17	R65110200	1	SOLENOID VALVE 220V 50HZ
18	R65110500	2	10 LT/H WATER FLOW REDUCER
19	R65090190	1	REVERSING SWITCH 8'
20	R63060120	2	BURNER IGNITION PANEL
21	R63130020	2	GAS BURNER FAN MOTOR PCBOARD

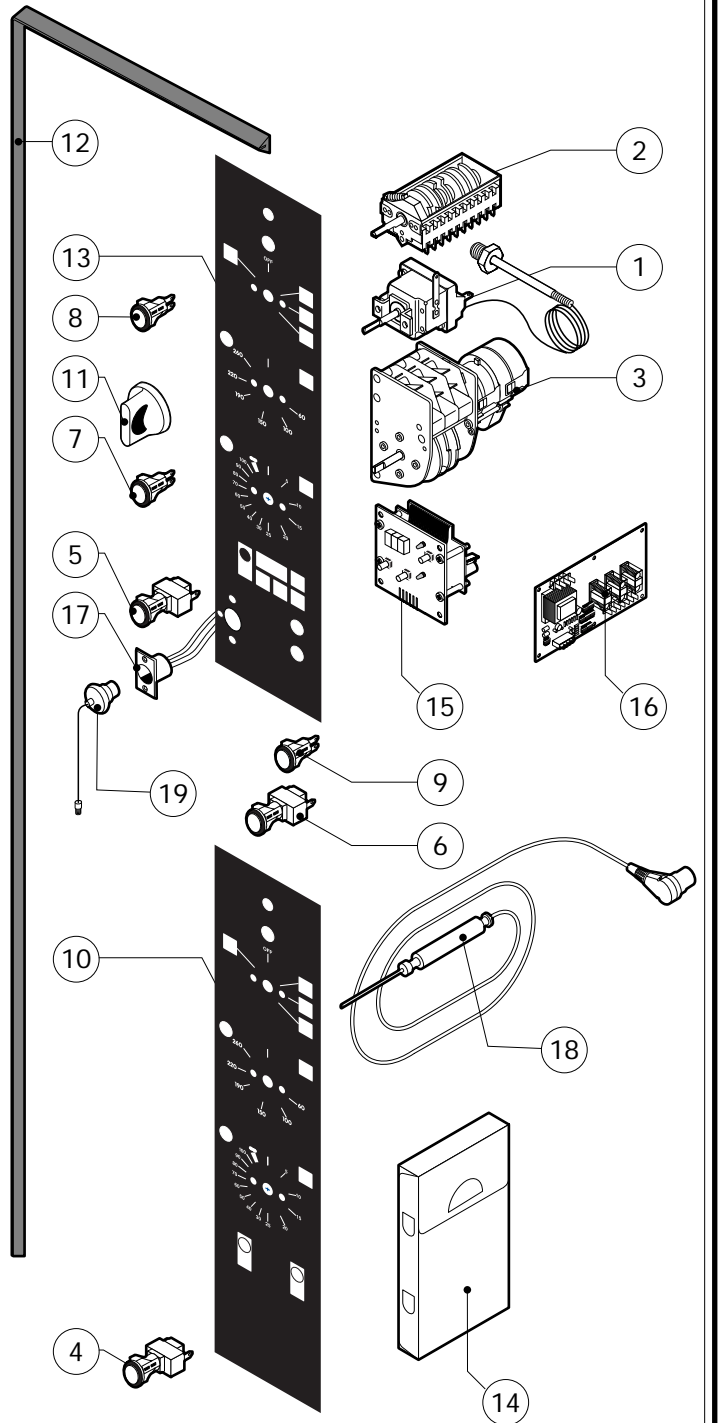
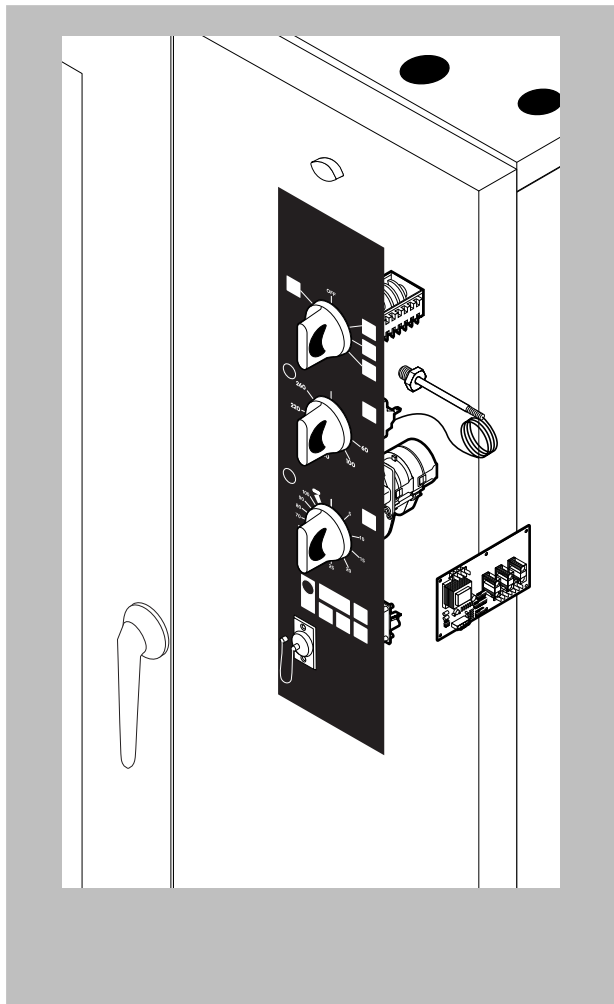
POS.	CODE	PIECES	DESCRIPTION
22	R65120010	1	LEVEL REGULATOR
23	*R65140380	2	CONTACTOR 3RT1016-1AP02 240V
24	*R65160590	2	THERMIC PROTECTION 3RU1116-1EB0 2,8-4,0A
25	R65170050	10	RELAY 4052 240V AC 10A
26	R65180770	2	TRANSFORMER 50VA
27	R65180430	1	TRANSFORMER 40VA
28	R65200200	1	FUSE 2A
29	R65200120	2	FUSE 1A
30	R65200040	2	FUSE 0.500A (T)
31	R65200040	1	FUSE 0.25A (T)
32	R65210020	6	FUSE CARRIER
33	R65220220	1	TERMINAL BOARD
34	R65265100	1	DOOR SWITCH
35	*R65280130	3	INTERFERENCE SUPPRESSOR
36	*R65280210	1	INTERFERENCE SUPPRESSOR
37	R65330010	1	BUZZER
38	R70020050	2	MOTOR GASKET
39	R75400440	2	FAN Ø 350x114/12 50HZ P.D. KIT
40	*R65190050	2	CAPACITOR 20 µF
41	R11402840	4	SMOKES OUTKET PLATE
42	R61660000	2	CARDAN JOINT

*COMPONENT SUBMITTED TO CHANGEMENTS CAUSED BY TENSION DIFFERENT FROM THE STANDARD (3N AC400V 50HZ)



POS.	CODE	PIECES	DESCRIPTION
1	R11100400	1	STEAM GENERATOR ASSEMBLY - UNTIL N°2604CRXXXXX0
	R11100610	1	STEAM GENERATOR ASSEMBLY - FROM N°2704CRXXXXX1
2	R70080010	2	CERAMIC PROTECTION TUBE
3	R10201710	1	DRAIN FILTER
4	R58005680	1	STEAM GENERATOR DESCALING CAP 1"1/4 F
5	R58006140	2	STEAM QUENCHING NOZZLE Ø 1,5
6	R11203650	2	HEAT EXCHANGER ASSEMBLY - UNTIL N°2604CRXXXXX0
	R11203640	2	HEAT EXCHANGER ASSEMBLY - FROM N°2704CRXXXXX1
	R11206410	1	TOP BURNER ASSEMBLY - UNTIL N°2604CRXXXXX0
7	R11206700	1	TOP BURNER ASSEMBLY - FROM N°2704CRXXXXX1
	R11206360	1	LOWER BURNER ASSEMBLY - UNTIL N°2604CRXXXXX0
8	R11206720	1	LOWER BURNER ASSEMBLY - FROM N°2704CRXXXXX1
9	R66110400	2	FLAME IGNITION CABLE/FLAME SENSOR CABLE
10	R63050100	4	IGNITOR
11	R63020170	2	GAS SOLENOID VALVE
12	R63120010	2	VENTURI TUBE (GPL)
13	R63120040	2	VENTURI TUBE (METHANE)
14	R63130010	2	GAS BURNER FAN MOTOR
15	R63140020	12	BURNER/HEAT EXCHANGER GASKET
16	R63140050	4	BURNER/FAN MOTOR GASKET
17	R63070010	1	GAS SAFETY PRESSURE SWITCH PG 901.61
18	R58003390	1	PRESSURE SWITCH BRASS PIPE FITTING
19	R61630011	2	METAL CLAMPS 12-22/9

POS.	CODE	PIECES	DESCRIPTION
20	R61630031	6	METAL CLAMPS 40-60/9
21	R61630110	2	METAL CLAMPS 44-56/12
22	R65110560	1	STEAM GENERATOR DRAIN MOTORIZED VALVE
23	R65320010	2	STEAM GENERATOR LEVEL PROBE
24	R70050040	1	STEAM GENERATOR CAP GASKET
25	R58003760	1	CHAMBER VENT ROD
26	R69010410	1	STEAM OUTLET KNOB
27	R11406870	1	CHAMBER VENT PLATE Ø 46
28	R70060040	3	SILICON COUPLING Ø 50
29	R70060080	1	SILICON COUPLING Ø 13
30	R70060050	1	SILICON COUPLING Ø 60
31	R62090478	7	ELBOW MIDDLING PIPE FITTING D.10
32	R62090458	3	STRAIGHT MIDDLING PIPE FITTING D.10
33	R62090468	1	"T" MIDDLING PIPE FITTING D.10
34	R62090608	2	8X1/8 END SIDE PIPE FITTING (WITH TANG)
35	R62090618	1	10-8 MIDDLING REDUCTION
36	R62090628	1	10-8 ELBOW REDUCTION
37	R70070040	1	PE D.10 MM X7 WATER FLEXIBLE PIPE (4 MT LONG)
38	R58004200	2	ORIFICE (FOR VERSION LIQUID GAS)
39	R62180082	1	GAS INLET FLEXIBLE PIPE 0,5-1 MT
40	R62180112	1	GAS INLET FLEXIBLE PIPE 1-2 MT
41	R62180022	1	FLEXIBLE PIPE FOR BOILER DESCALING



POS.	CODE	PIECES	DESCRIPTION
1	R65070360	1	THERMOSTAT MOUFLE 0/300°C
2	R65080020	1	COMMUTATEUR
3	R65090200	1	MINUTERIE
4	R65260600	1	INTERRUPTEUR
5	R65260610	1	TOUCHE HUMIDIFICATEUR
6	R65260620	1	TOUCHE RESTAURATION
7	R65270150	2	LAMPE TEMOIN ORANGE
8	R65270160	1	LAMPE TEMOIN VERT
9	R65270170	1	LAMPE TEMOIN ROUGE
10	R67012950	1	PLAQUE LAINOX
11	R69030150	3	POIGNEE COMMANDE - JASQU'AU N°2604CRXXXXXX0
	R69030170	3	POIGNEE COMMANDE - DU N°2704CRXXXXXX1
12	R70044290	1	ETANCHEITE COMMANDES (2,21MT)
13	R67012960	1	PLAQUE LAINOX
14	R86020420	1	PETITE VALISE SONDE A COEUR
15	R65300540	1	FICHE PANNEAU COMMANDES
16	R65300490	1	FICHE FONCTIONS
17	R65320920	1	CONNECTEUR FEMELLE POUR SONDE A COUVER
18	R65320900	1	SONDE A COEUR

POS.	CODE	PIECES	DESCRIPTION
19	R65321020	1	BOUCHON POUR CONNECTEUR FEMELLE