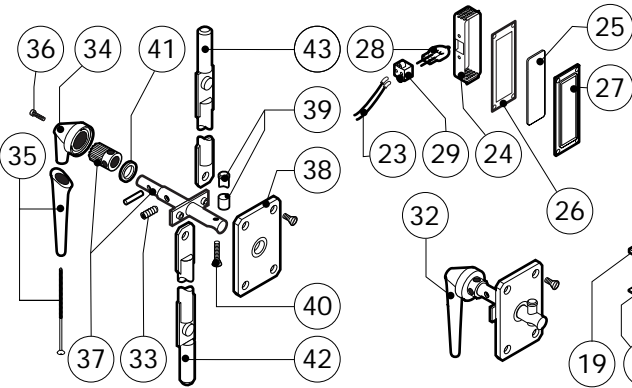
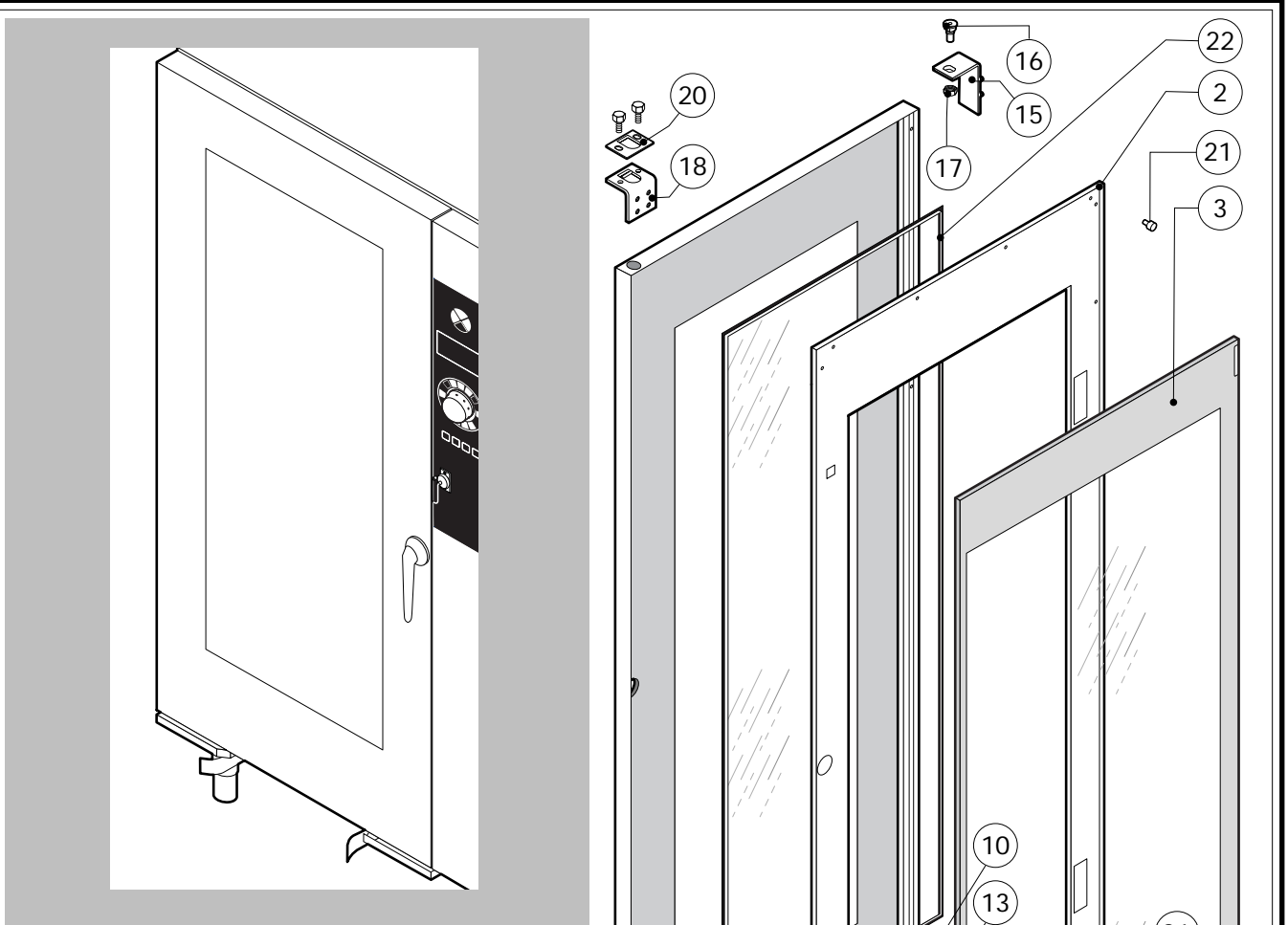


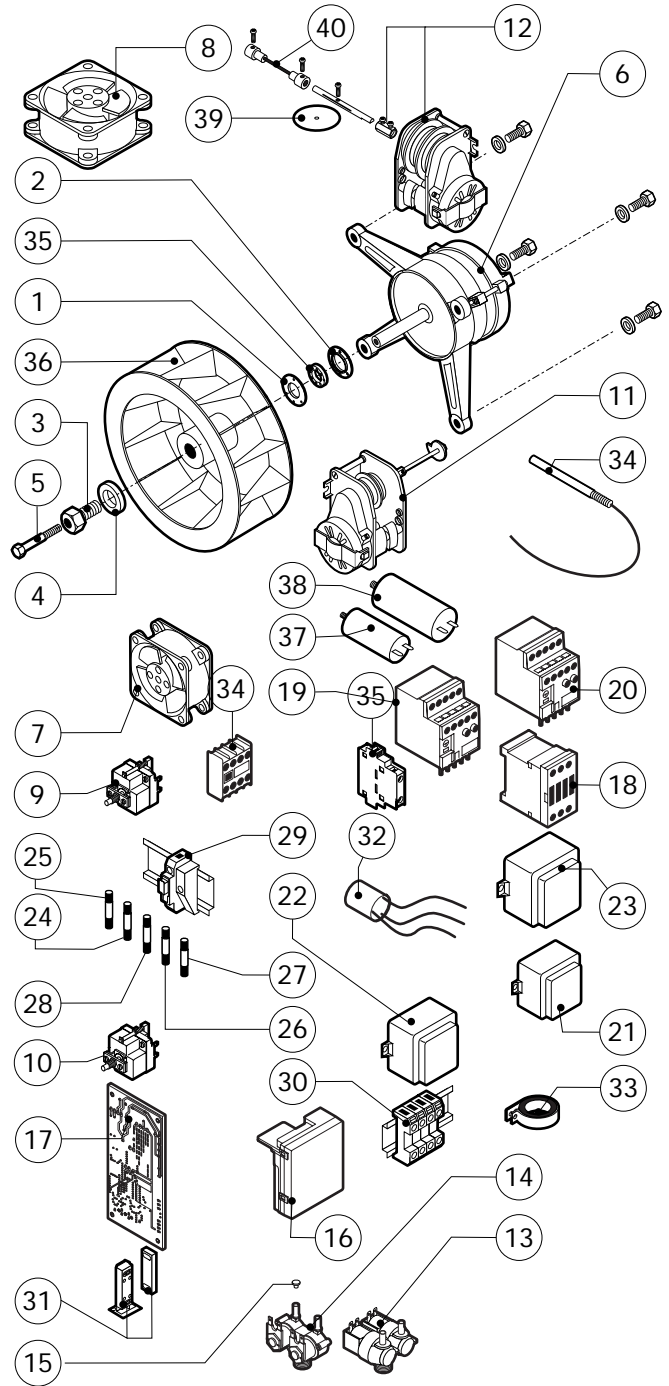
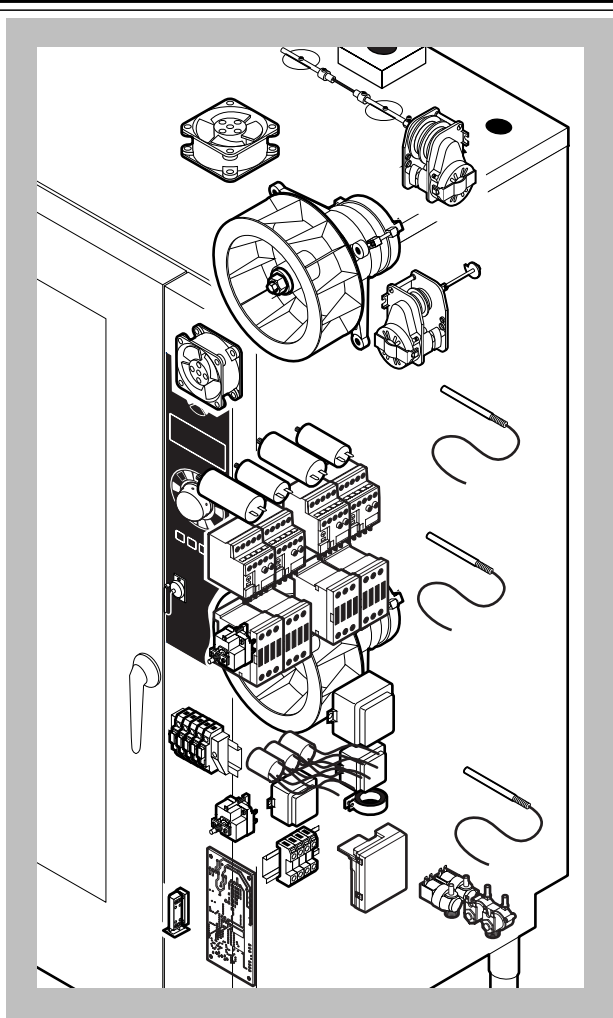
POS.	CODE	PIECES	DESCRIPTION
1	R11100120	1	DOOR ASSEMBLY
2	R11205251	1	CONTROL PANEL
3	R11201970	1	SPRITZER EXTENSION
4	R11200380	1	SPRITZER UNION
5	R11205700	1	COOKING CABINET ASSEMBLY
6	R11205710	1	WASHING SYSTEM COOKING CABINET ASSEMBLY
7	R11205280	1	FAN GUARD PANEL ASSEMBLY
8	R11205321	1	RIGHT SIDE PANEL
9	R11205311	1	LEFT SIDE PANEL
10	R11411350	1	REAR PANEL
11	R11205720	1	COVER PANEL
12	R11402980	2	DRAINAGE PIPE PROTECTION
13	R58003100	2	FAN GUARD FASTENING SCREW
14	R70044130	1	FRONT GASKET
15	R75300090	2	FAN GUARD GRID Ø 350
16	R69070020	4	FOOT 1"1/2x130
17	R62200131	1	SHOWER KIT
18	R62200133	1	SHOWER HANDLE
19	R69090090	2	WHEEL

POS.	CODE	PIECES	DESCRIPTION
20	R69090100	2	WHEEL WITH BRAKE
21	R10457840	1	HANDLE FOR TROLLEY
22	R11204670	1	TRAY FOR TROLLEY



POS.	CODE	PIECES	DESCRIPTION
1	R11100181	1	DOOR
2	R11205361	1	INNER DOOR PANEL
3	R11100150	1	INNER DOOR GLASS
4	R70044300	1	GASKET FOR TROLLEY(0,7MT)
5	R58001760	2	INNER GLASS SOLID HINGE
6	R58001770	2	INNER GLASS HINGE PIN
7	R58001780	2	INNER GLASS CATCH KIT
8	R11411860	2	"C" PROFILE
9	R11205390	1	LOWER DOOR HINGE WITH RETAINER
10	R58002540	1	DOOR PIVOT SUNK KEY
11	R58002550	1	DOOR RETAINER GUIDE SHOE
12	R58002560	1	SCREW FOR LOWER DOOR HINGE
13	R58002570	1	WASHER Ø 30/15x3
14	R61620091	16	BELLEVILLE WASHER Ø 14/6.4
15	R11200560	1	UPPER DOOR HINGE
16	R58002150	1	HINGE PIN
17	R58004050	1	NUT FOR UPPER DOOR HINGE
18	R11411520	1	UPPER SQUARE FOR DOOR ROD
19	R11205400	1	LOWER SQUARE FOR DOOR ROD
20	R10207680	2	DOOR ROD ADJUSTABLE PLATE
21	R70050100	9	GLASS SILICON SPACERS
22	R70044160	1	GLASS GASKET (3,72MT)

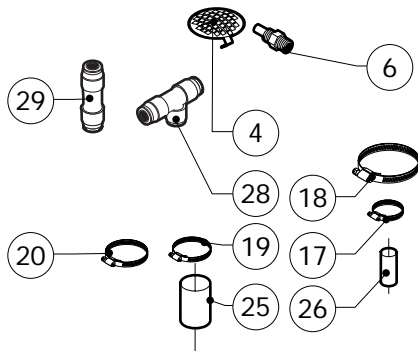
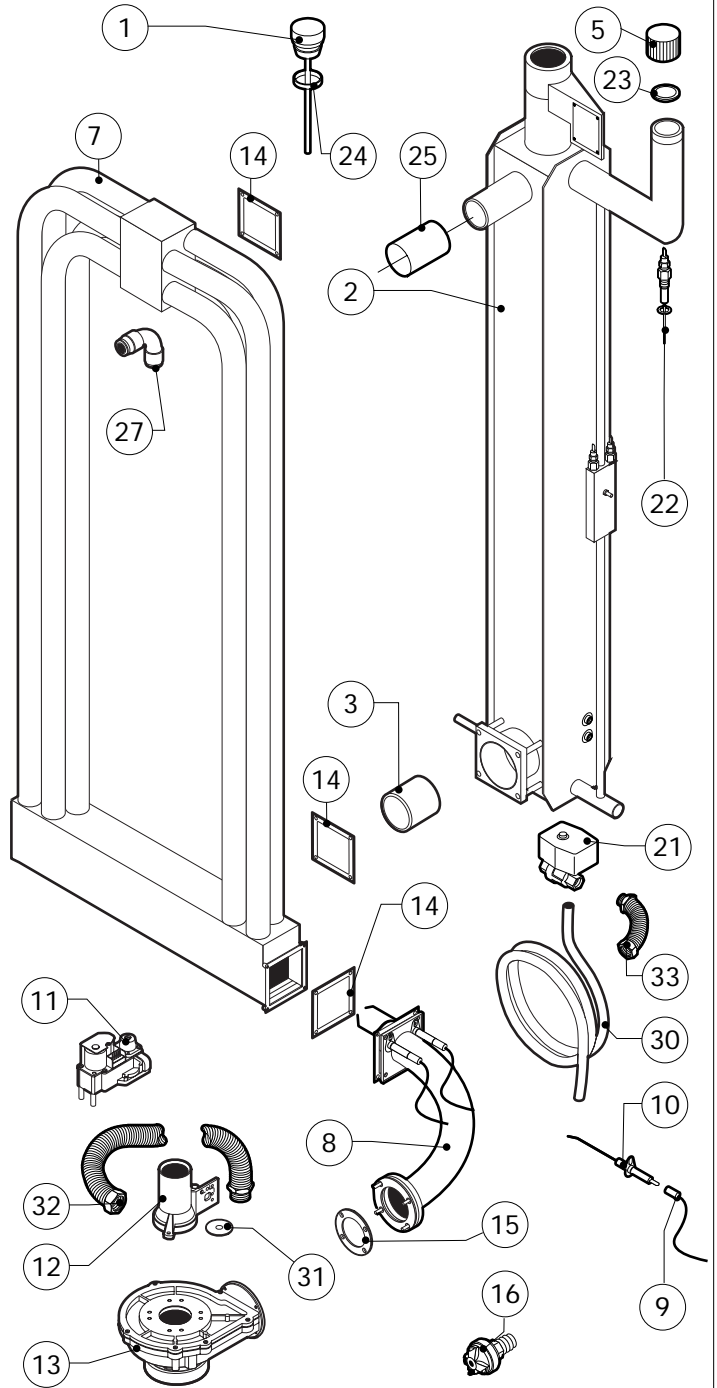
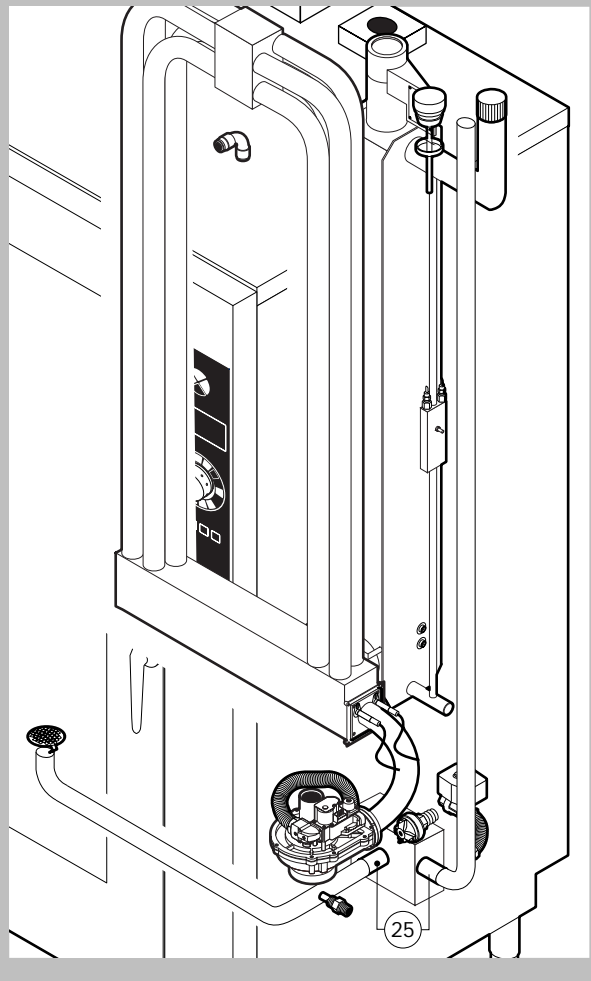
POS.	CODE	PIECES	DESCRIPTION
23	R66110320	1	DOOR LAMPS CABLE SET
24	R11401440	2	LAMP COVER
25	R71500150	2	GLASS LAMP
26	R70044200	2	GLASS LAMP
27	R11401450	2	GLASS HOLDER LAMP FLANGE
28	R65270020	2	LIGHT 20W 12V G4
29	R65270450	2	LIGHT SOCKET
30	R65260750	1	LAMPS CONTACT BLOCK
31	R66110300	1	LAMPS CONTACT CABLE SET
32	R11100310	1	DOOR HANDLE ASSEMBLY
33	R61090052	1	GRUB SCREW M6x16
34	R69010600	1	DOOR HANDLE
35	R69010610	1	HANDLE
36	R61030601	1	CYLINDRICAL HEAD SCREW
37	R11205340	1	DOOR HANDLE PIN
38	R03200970	1	DOOR LOCK REAR FLANGE
39	R58004781	1	DOOR HANDLE HOOK
40	R61040272	1	DOOR HANDLE HOOK SCREW
41	R61420021	1	ELASTIC WASHER
42	R11205381	1	LOWER DOOR ROD
43	R11205370	1	UPPER DOOR ROD



POS.	CODE	PIECES	DESCRIPTION
1	R58003840	2	MOTOR GASKET BRASS FLANGE
2	R58003850	2	MOTOR GASKET BRASS COUNTER FLANGE
3	R58004000	2	FAN SCREW M12x1.5 SX
4	R58004010	2	FAN WASHER Ø 30/12.5
5	R61020562	2	FAN SCREW TE A2 M6x55
6	*R65040540	2	MOTOR 055/015 KW KIT
7	R65060050	1	COMPONENTS VENTILATION MOTOR Ø 120
8	R65060060	1	COMPONENTS VENTILATION MOTOR Ø 150
9	R65070350	1	CHAMBER SAFETY THERMOSTAT
10	R65070081	1	STEAM GENERATOR SAFETY THERMOSTAT
11	R65095000	1	DAMPER SYSTEM
12	R65090240	1	DRAIN MOTOR
13	R65110210	1	SOLENOID VALVE 220V 50HZ
14	R65110230	1	SOLENOID VALVE 220V 50HZ WITH FLOW REDUCER
15	R65110510	1	15 LT/H WATER FLOW REDUCER
16	R63060120	1	BURNER IGNITION PANEL
17	R63130020	1	GAS BURNER FAN MOTOR PCBOARD
18	*R65140380	4	CONTACTOR 3RT1016-1AP02 240V
19	*R65160620	2	THERMIC PROTECTION 3RU1116-1BB0 1,4-2,0A
20	*R65160590	2	THERMIC PROTECTION 3RU1116-1EBO 2,8-4,0A

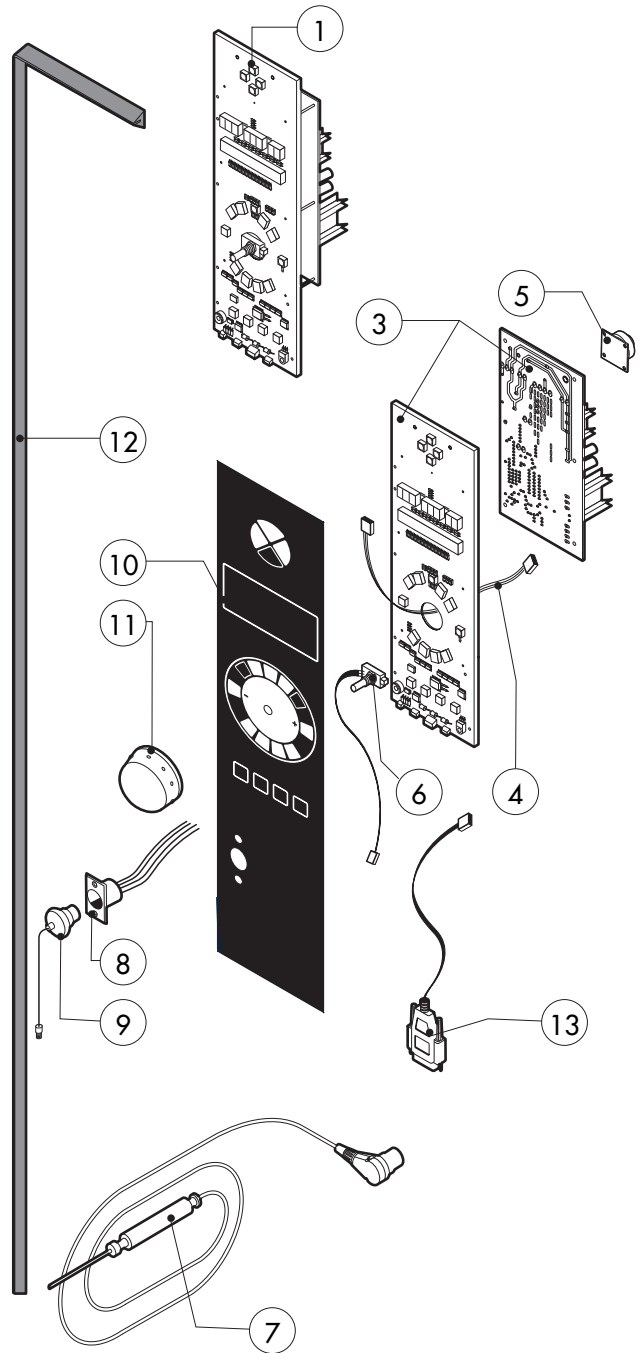
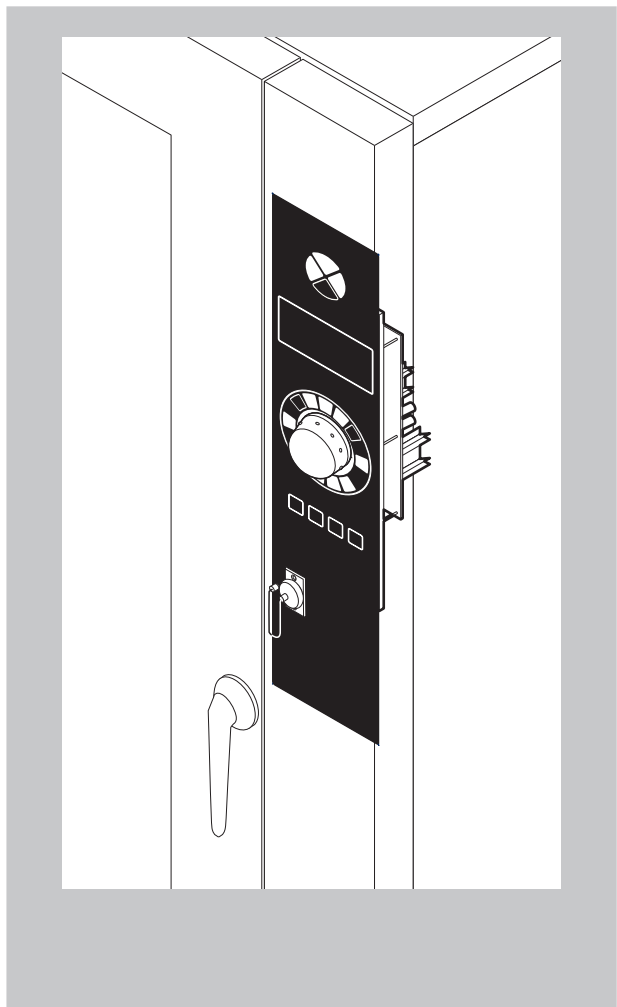
POS.	CODE	PIECES	DESCRIPTION
21	R65180420	1	TRANSFORMER 20VA
22	R65180430	1	TRANSFORMER 40VA
23	R65180770	1	TRANSFORMER 50VA
24	R65200086	1	FUSE 0.125A (T)
25	R65200200	1	FUSE 2A
26	R65200120	1	FUSE 1A
27	R65200040	1	FUSE 0.500A (T)
28	R65200040	1	FUSE 0.25A (T)
29	R65210020	5	FUSE CARRIER
30	R65220220	1	TERMINAL BOARD
31	R65265100	1	DOOR SWITCH
32	*R65280210	3	INTERFERENCE SUPPRESSOR
33	*R65280450	1	FERRITE
34	R65325000	3	PROBE PT100
35	R70020050	2	MOTOR GASKET
36	*R75400440	2	FAN Ø 350x114/12 50HZ P.D. KIT
37	*R65190180	2	CAPACITOR 10 µF
38	*R65190050	2	CAPACITOR 20 µF
39	R11402840	2	SMOKES OUTKET PLATE
40	R61660000	1	CARDAN JOINT

*COMPONENT SUBMITTED TO CHANGEMENTS CAUSED BY TENSION DIFFERENT FROM THE STANDARD (3N AC400V 50HZ)



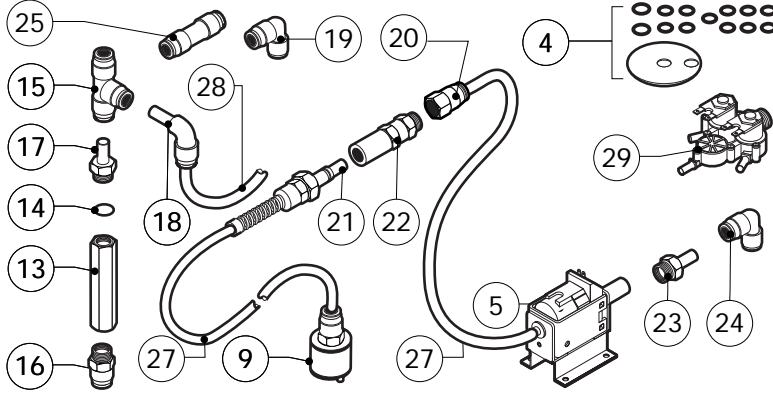
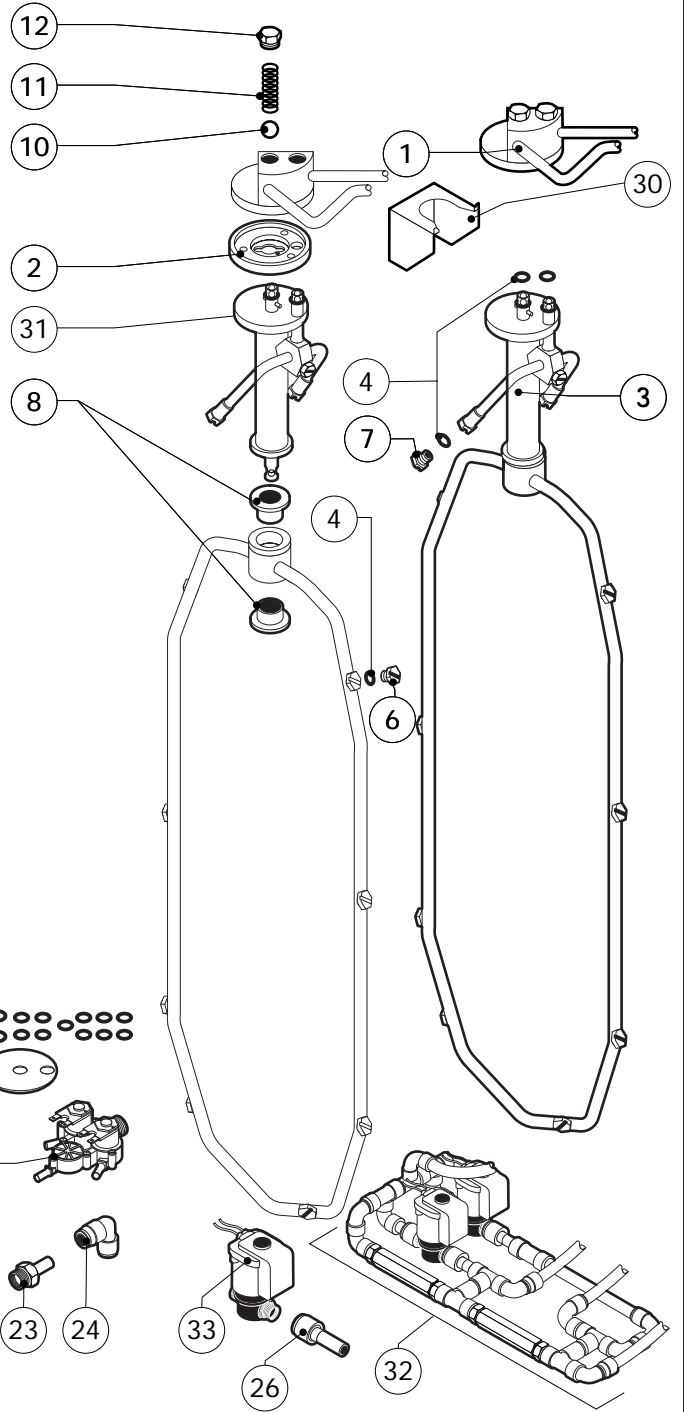
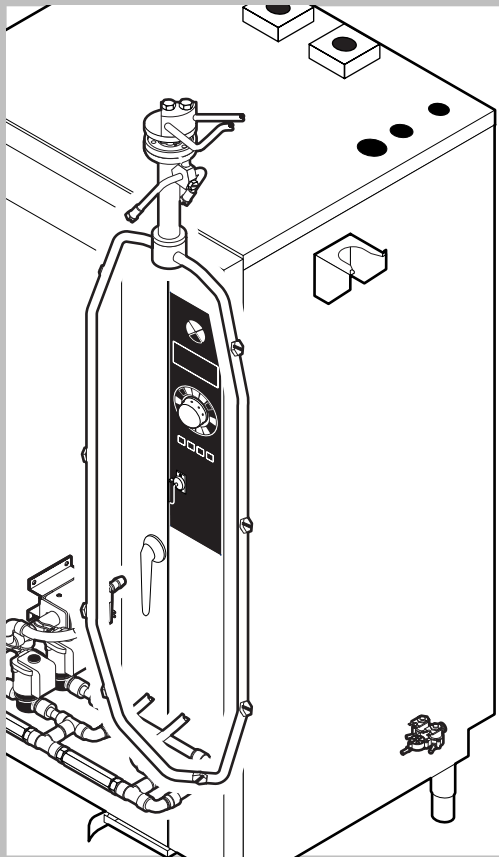
POS.	CODE	PIECES	DESCRIPTION
1	R11100270	1	DAMPER SYSTEM CAP
2	R11100380	1	STEAM GENERATOR ASSEMBLY
3	R70080010	1	CERAMIC PROTECTION TUBE
4	R10201710	1	DRAIN FILTER
5	R58005680	1	STEAM GENERATOR DESCALING CAP 1"1/4 F
6	R58006130	2	STEAM QUENCHING NOZZLE Ø 1
7	R11205760	1	HEAT EXCHANGER ACCESSORIES INCLUDED
8	R11205790	1	BURNER ASSEMBLY
9	R66110370	1	FLAME IGNITION CABLE/FLAME SENSOR CABLE
10	R63050070	2	IGNITOR - UNTIL N°3004
	R63050100	2	IGNITOR - FROM N°3104
11	R63020170	1	GAS SOLENOID VALVE
12	R63120030	1	VENTURI TUBE
13	R63130010	1	GAS BURNER FAN MOTOR
14	R63140020	6	BURNER/HEAT EXCHANGER GASKET
15	R63140050	1	BURNER/FAN MOTOR GASKET
16	R63070010	1	GAS SAFETY PRESSURE SWITCH PG 901.61
17	R61630011	2	METAL CLAMPS 12-22/9
18	R61630091	2	METAL CLAMPS 140-160/9

POS.	CODE	PIECES	DESCRIPTION
19	R61630031	4	METAL CLAMPS 40-60/9
20	R61630110	2	METAL CLAMPS 44-56/12
21	R65110560	1	STEAM GENERATOR DRAIN MOTORIZED VALVE
22	R65320010	2	STEAM GENERATOR LEVEL PROBE
23	R70050040	1	STEAM GENERATOR CAP GASKET
24	R70060100	1	DAMPER SYSTEM CAP GASKET
25	R70060040	3	SILICON COUPLING Ø 50
26	R70060080	1	SILICON COUPLING Ø 13
27	R62090478	6	ELBOW MIDDLING PIPE FITTING D.10
28	R62090468	1	"T" MIDDLING PIPE FITTING D.10
29	R62090458	1	STRAIGHT MIDDLING PIPE FITTING D.10
30	R70070040	1	PE D.10 MM X7 WATER FLEXIBLE PIPE (4 MT LONG)
31	R58004200	1	ORIFICE (FOR VERSION LIQUID GAS)
32	R62180082	1	GAS INLET FLEXIBLE PIPE
33	R62180022	1	FLEXIBLE PIPE FOR BOILER DESCALING



POS.	CODE	PIECES	DESCRIPTION
1	R65301460	1	CONTROL PANEL P.C. BOARD
3	R65301420	1	CONTROL PANEL P.C. BOARD "T" MOD
4	R65301430	1	PC BOARD FLAT CABLE
5	R65301440	1	PC BOARD BUZZER
6	R65301450	1	FRONT PC BOARD ENCODER
7	R65321100	1	CORE TEMPERATURE PROBE
8	R65321110	1	CORE TEMPERATURE PROBE FEMALE CONNECTOR
9	R65321020	1	COVER FOR FEMALE CONNECTOR
10	R67012900	1	LAINOX PLATE
11	R69030250	1	KNOB
12	R70044280	1	CONTROL PANEL GASKET
13	R65301580	1	PC BOARD SERIES CONNECTION RS 232

POS.	CODE	PIECES	DESCRIPTION



POS.	CODE	PIECES	DESCRIPTION
1	R11200880	1	WASHING SYSTEM EXTERNAL ASSEMBLY - UNTIL N°2904
	R11200881	1	WASHING SYSTEM EXTERNAL ASSEMBLY - FROM N°3004
2	R58004960	1	WASHING SYSTEM INNER FLANGE
3	R11100530	1	WASHING DEVICE ASSEMBLY
4	R70045110	1	GASKETS KIT
5	R65110600	1	DETRGENT PUMP
6	R62210032	8	1,3 L/MIN RINSING JET
7	R62210042	3	0,56 L/MIN DETERGENT JET
8	R58004980	2	WASHING DEVICE ROTATION BUSH
9	R65110650	1	BOTTOM FILTER
10	R62220012	2	SPHERA D.14
11	R61620041	2	SPRING
12	R58005000	2	1/2" MALE COVER
13	R65110640	2	ANTI-BACK FLOW
14	R70010050	4	OR GASKETS
15	R62090468	5	"T" MIDDLING PIPE FITTING D.10
16	R62090508	1	10X1/4 STRAIGHT THREADED TERMINAL PIPE FITTING
17	R62090518	3	10X1/4 END SIDE PIPE FITTING (WITH TANG)
18	R62090528	10	ELBOW PIPE FITTING (WITH TANG) 10 X 10

POS.	CODE	PIECES	DESCRIPTION
19	R62090478	4	ELBOW MIDDLING PIPE FITTING D.10
20	R62090538	1	1/4" FEMALE STRAIGHT PIPE FITTING FOR D.8X6 PIPE
21	R62090482	1	RAPID MALE PIPE FITTING
22	R62090492	1	RAPID FEMALE PIPE FITTING
23	R62090608	2	8X1/8 END SIDE PIPE FITTING (WITH TANG)
24	R62090628	1	10-8 ELBOW REDUCTION
25	R62090458	2	STRAIGHT MIDDLING PIPE FITTING D.10
26	R62090548	4	10-6 REDUCTION PIPE FITTING
27	R70070100	1	PE D.8 MM X 6 DETERGENT FLEXIBLE PIPE
28	R70070040	1	PE D.10 MM X7 WATER FLEXIBLE PIPE (4 MT LONG)
29	R65110240	1	SOLENOID VALVE 220V 50HZ WITH FLOW REDUCER
30	R11402000	1	WASHING DEVICE EXTERNAL HOLDER
31	R11100580	1	TUBE DEVICE SUPPORT WASHING
32	R62300018	1	ANTI-BACK FLOW DEVICE ASSEMBLY - UNTIL N°2904
	R62300028	1	ANTI-BACK FLOW DEVICE ASSEMBLY - FROM N°3004
33	R65110260	2	SOLENOID VALVE D.6 220V 50HZ - FROM N°3004