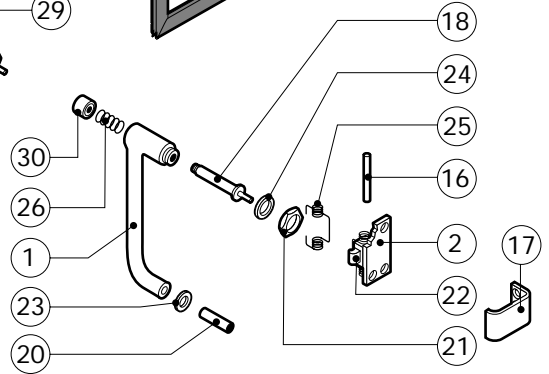
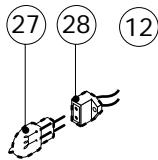
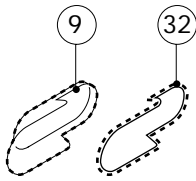
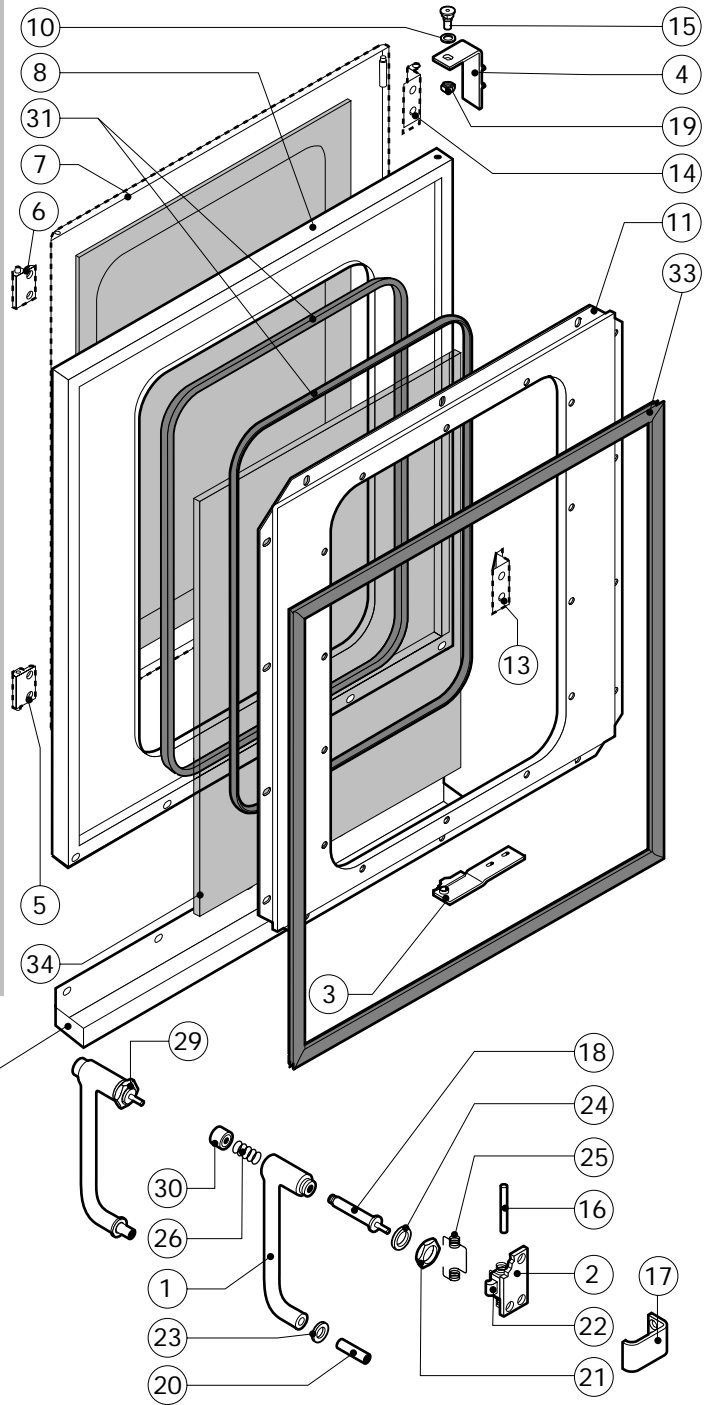
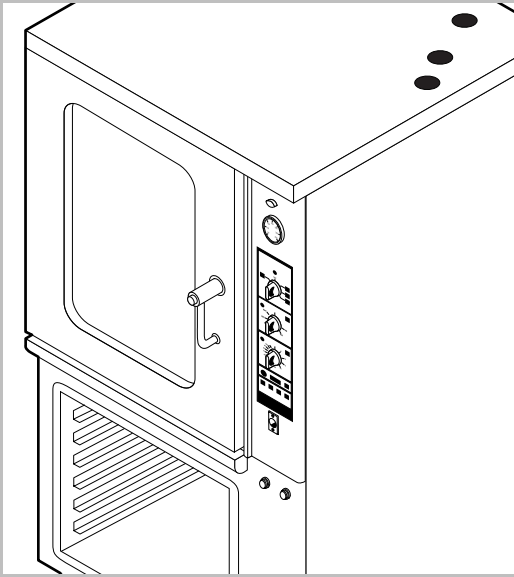


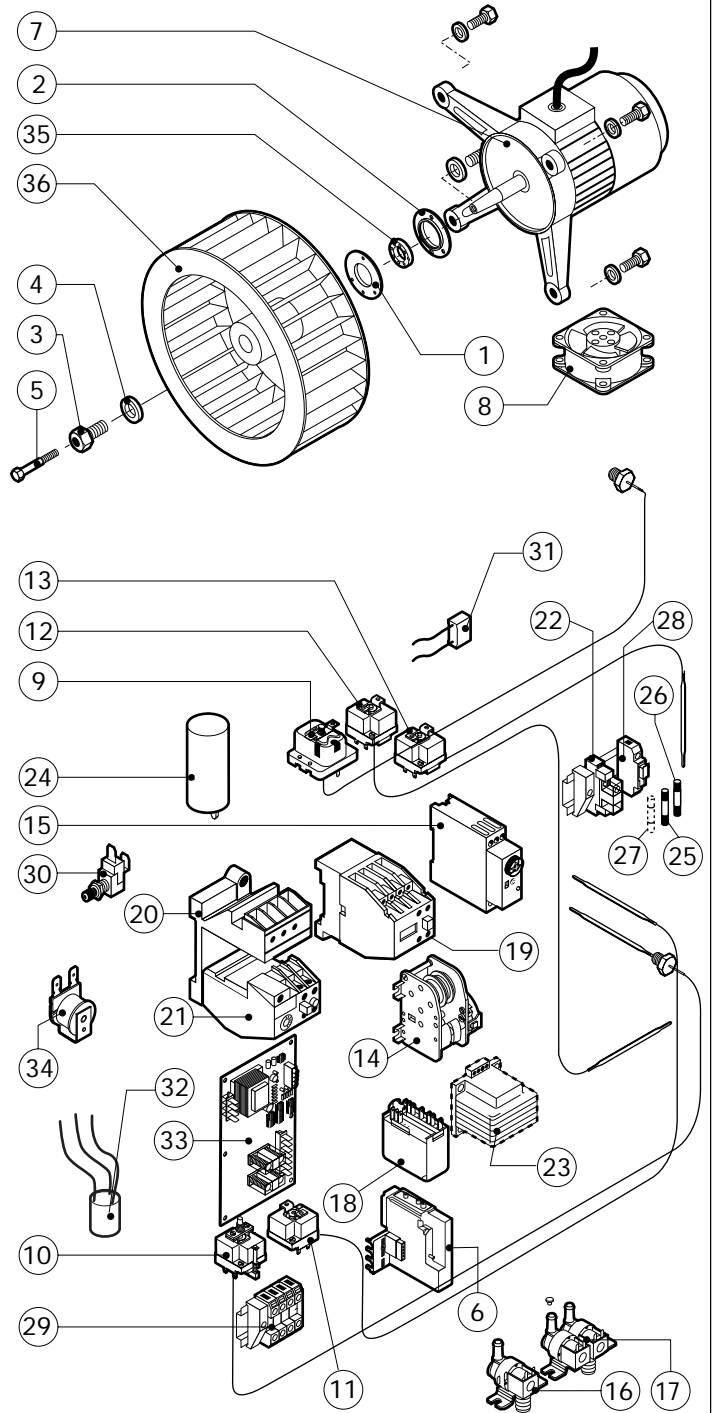
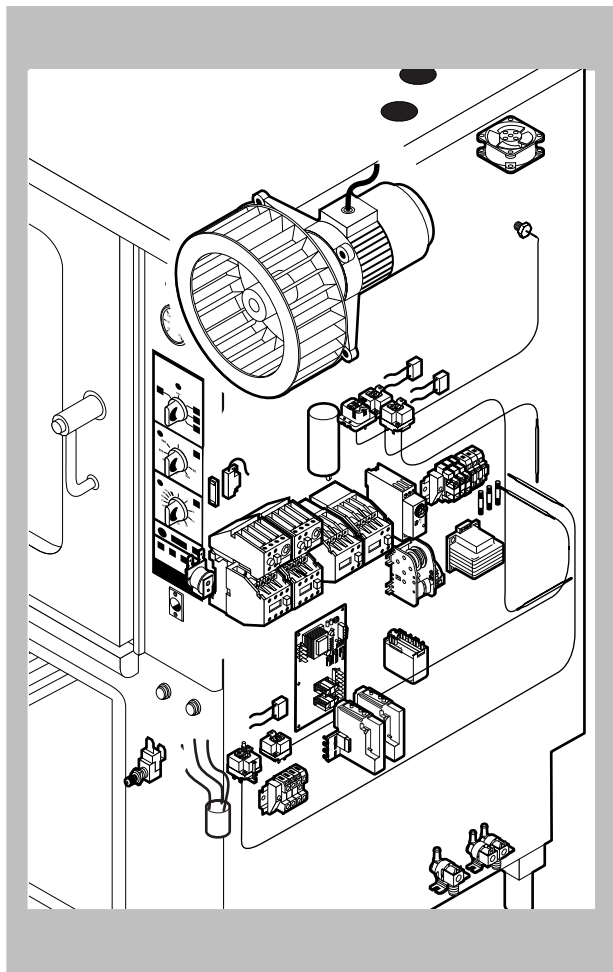
POS.	CODE	PIECES	DESCRIPTION
1	R10105040	1	DOOR ASSEMBLY
2	R10105050	1	DOOR ASSEMBLY WITH LIGHTS
3	R10105060	1	DOOR ASSEMBLY WITH COVER
4	R10105070	1	DOOR ASSEMBLY WITH LIGHTS AND COVER
5	R10201460	1	LOWER REAR PANEL
6	R10206480	1	SPRITZER EXTENSION
7	R10206540	1	SPRITZER UNION
8	R10207131	1	COOKING CABINET ASSEMBLY
9	R10207261	1	FAN GUARD PANEL ASSEMBLY
10	R10212900	1	CONTROL PANEL
11	R10213330	1	RIGHT SIDE PANEL
12	R10213340	1	LEFT SIDE PANEL
13	R10213350	1	REAR PANEL
14	R10213530	1	COVER PANEL
15	R58003100	2	FAN GUARD FASTENING SCREW
16	R69070070	4	FOOT 1"1/4x120
17	R70043260	1	FRONT GASKET
18	R75300020	1	FAN GUARD GRID Ø 120
19	R75300060	1	FAN GUARD GRID Ø 270

POS.	CODE	PIECES	DESCRIPTION



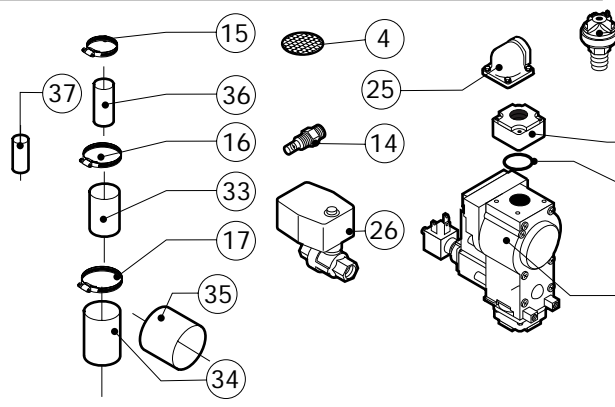
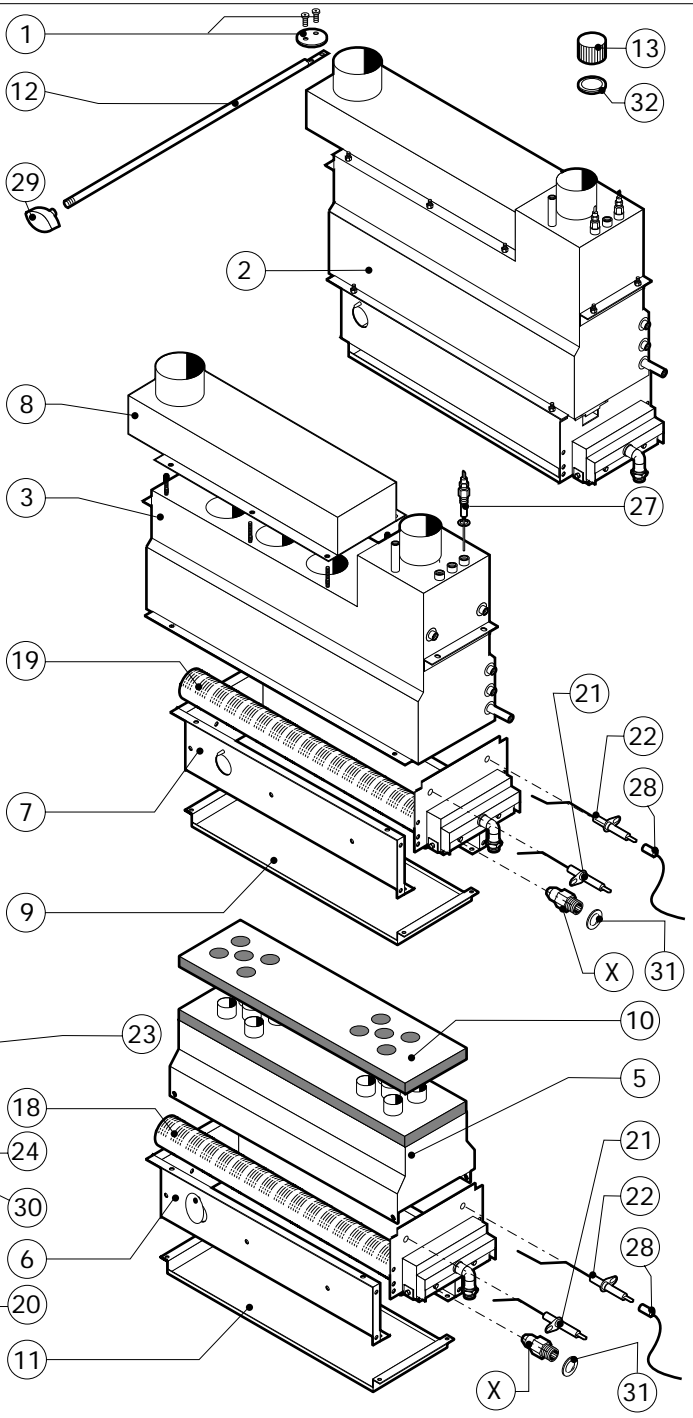
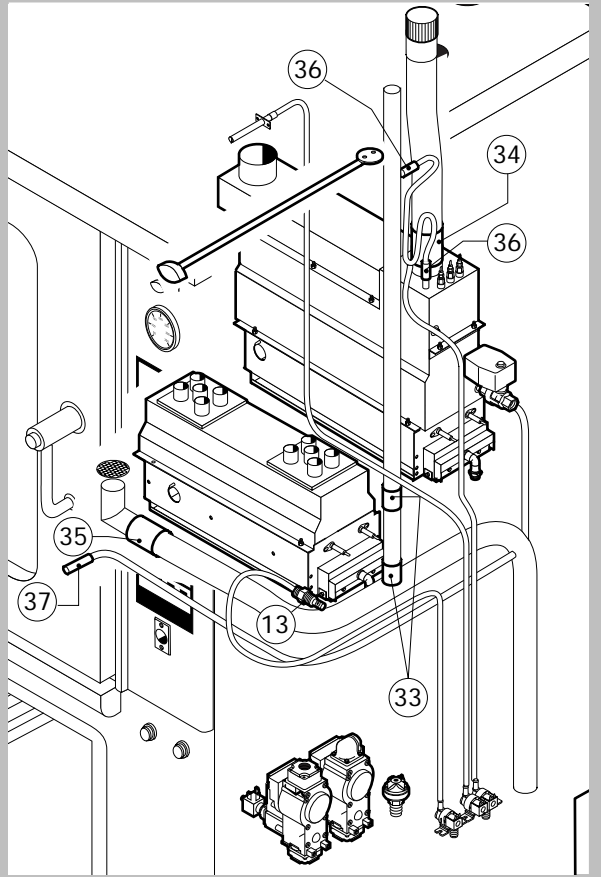
POS.	CODE	PIECES	DESCRIPTION
1	R09200230	1	DOOR HANDLE
2	R10100110	1	PRONG FLANGE
3	R10201190	1	LOWER DOOR HINGE
4	R10201290	1	UPPER DOOR HINGE
5	R10208290	1	FRONT LOWER DOOR PANEL CATCH
6	R10208300	1	FRONT UPPER DOOR PANEL CATCH
7	R10208320	1	FRONT DOOR PANEL
8	R10212230	1	DOOR
9	R10400150	2	LIGHT PROTECTION
10	R10401710	1	WASHER FOR UPPER DOOR HINGE
11	R10405470	1	INNER DOOR PANEL
12	R10441140	1	DOOR DRIP TRAY
13	R10456040	1	LOWER HINGE FOR FRONT DOOR PANEL
14	R10456050	1	UPPER HINGE FOR FRONT DOOR PANEL
15	R58002150	1	HINGE PIN
16	R58002160	1	DOOR HANDLE PRONG PIN
17	R58002760	1	DOOR HANDLE PRONG COUPLER
18	R58003240	1	DOOR HANDLE BUTTON ROD
19	R58004050	1	NUT FOR UPPER DOOR HINGE

POS.	CODE	PIECES	DESCRIPTION
20	R58004270	1	DOOR HANDLE SPACER
21	R58004830	1	RING NUT M18x1
22	R58005050	1	DOOR HANDLE PRONG
23	R58005340	1	DOOR HANDLE LOWER INSULATION WASHER
24	R58005350	1	DOOR HANDLE UPPER INSULATION WASHER
25	R61620012	1	DOOR HANDLE CATCH SPRING
26	R61620041	1	DOOR HANDLE BUTTON SPRING
27	R65270020	2	LIGHT 20W 12V G4
28	R65270400	2	LIGHT SOCKET
29	R69015000	1	DOOR HANDLE ASSEMBLY
30	R69031190	1	DOOR HANDLE PUSH BUTTON
31	R70040200	2	GLASS GASKET
32	R70040800	2	LIGHT PROTECTION GASKET
33	R70042020	1	DOOR GASKET
34	R71030120	1	DOOR GLASS



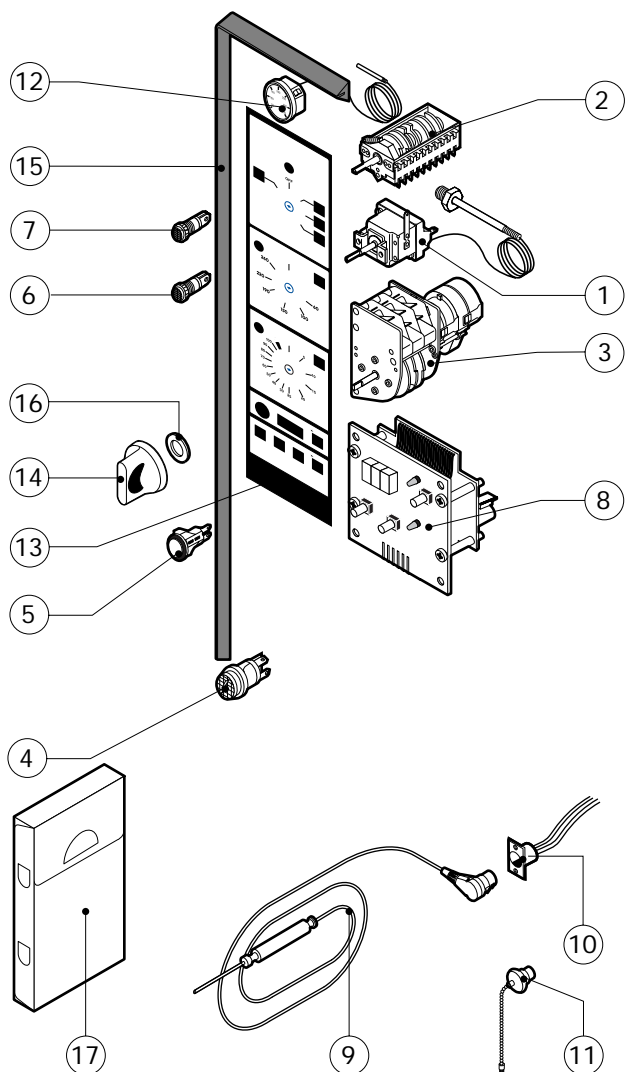
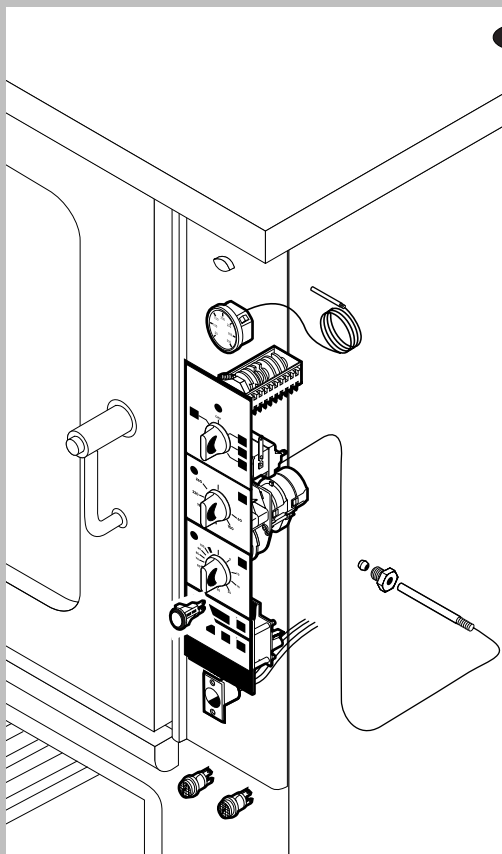
POS.	CODE	PIECES	DESCRIPTION
1	R58003840	1	MOTOR GASKET BRASS FLANGE
2	R58003850	1	MOTOR GASKET BRASS COUNTER FLANGE
3	R58004000	1	FAN SCREW M12x1.5 SX
4	R58004010	1	FAN WASHER Ø 30/12.5
5	R61020562	1	FAN SCREW TE A2 M6x55
6	R63060100	2	BURNER IGNITION PANEL
7	R65040041	1	MOTOR HP 1 KIT
8	R65060050	1	COMPONENTS VENTILATION MOTOR Ø 120
9	R65070070	1	CHAMBER SAFETY THERMOSTAT
10	R65070080	1	STEAM GENERATOR SAFETY THERMOSTAT
11	R65070100	1	THERMOSTAT 55°C
12	R65070165	1	THERMOSTAT 65°C
13	R65070240	1	THERMOSTAT 70°C
14	R65090190	1	REVERSING SWITCH 8'
15	R65090450	1	IGNITION DELAY TIMER
16	R65110010	1	SOLENOID VALVE 220V 50HZ
17	R65115000	1	SOLENOID VALVE 220V 50HZ WITH FLOW REDUCER
18	R65120010	1	LEVEL REGULATOR
19	R65140150	2	CONTACTOR 3TF4011-OAUO 240V

POS.	CODE	PIECES	DESCRIPTION
20	R65160050	1	THERMIC SWITCH SUPPORT 3UX1418
21	R65160130	1	THERMIC PROTECTION 3UA5000-1F 3.2-5A
22	R65170050	2	RELAY 4052 240V AC 10A
23	R65180430	1	TRANSFORMER 40VA
24	R65190030	1	CAPACITOR 16 µF
25	R65200086	1	FUSE 0.125A (T)
26	R65200200	1	FUSE 2A
27	R65200350	1	FUSE 0.4A (T)
28	R65210020	3	FUSE CARRIER
29	R65220220	1	TERMINAL BOARD
30	R65260540	1	DOOR SWITCH
31	R65280130	3	INTERFERENCE SUPPRESSOR
32	R65280210	1	INTERFERENCE SUPPRESSOR
33	R65300490	1	RELAYS P.C. BOARD
34	R65330010	1	BUZZER
35	R70020050	1	MOTOR GASKET
36	R75400290	1	FAN Ø 300x120/20 50HZ P.D. KIT



POS.	CODE	PIECES	DESCRIPTION
1	R04403460	1	CHAMBER VENT PLATE Ø 46
2	R10102020	1	STEAM GENERATOR ASSEMBLY
3	R10200980	1	STEAM GENERATOR
4	R10201700	1	DRAIN FILTER
5	R10202410	1	COMBUSTION CABINET
6	R10202510	1	CABINET BURNERS SUPPORT
7	R10202590	1	STEAM GENERATOR SUPPORT
8	R10211840	1	STEAM GENERATOR GAS FLUE PIPE
9	R10403800	1	STEAM GENERATOR BURNERS PROTECTION PLATE
10	R10406250	1	COMBUSTION CABINET INSULATION PLATE
11	R10406800	1	CHAMBER BURNERS PROTECTION PLATE
12	R58003470	1	CHAMBER VENT ROD
13	R58005680	1	STEAM GENERATOR DESCALING CAP 1"1/4 F
14	R58006100	1	STEAM QUENCHING NOZZLE Ø 1.5
15	R61630011	12	METAL CLAMPS 12-22/9
16	R61630021	2	METAL CLAMPS 30-45/9
17	R61630031	4	METAL CLAMPS 40-60/9
18	R63016240	1	CHAMBER BURNER ASSEMBLY
19	R63016250	1	STEAM GENERATOR BURNER ASSEMBLY
20	R63020160	2	GAS SOLENOID VALVE

POS.	CODE	PIECES	DESCRIPTION
21	R63050340	2	IGNITOR
22	R63050350	2	SENSOR
23	R63070010	1	GAS SAFETY PRESSURE SWITCH PG 901.61
24	R63080040	3	STRAIGHT FLANGE 1/2"
25	R63080050	1	CURVED FLANGE 1/2"
26	R65110540	1	STEAM GENERATOR DRAIN MOTORIZED VALVE
27	R65320010	2	STEAM GENERATOR LEVEL PROBE
28	R66605850	2	FLAME IGNITION CABLE/FLAME SENSOR CABLE
29	R69010410	1	STEAM OUTLET KNOB
30	R70010070	4	RING
31	R70030090	4	NOZZLE GASKET
32	R70050040	1	STEAM GENERATOR CAP GASKET
33	R70060010	2	SILICON COUPLING Ø 30
34	R70060030	1	SILICON COUPLING Ø 40
35	R70060040	1	SILICON COUPLING Ø 50
36	R70060060	2	SILICON COUPLING Ø 15
37	R70060080	1	SILICON COUPLING Ø 13
X		2	NOZZLE (See service manual)
X		2	NOZZLE (See service manual)



POS.	CODE	PIECES	DESCRIPTION
1	R65070210	1	CABINET THERMOSTAT 50/270°C
2	R65080020	1	MAIN SELECTOR SWITCH
3	R65090200	1	TIMER
4	R65260480	2	UNIPOLAR PUSH BUTTON
5	R65260520	1	HUMIDIFIER PUSH BUTTON
6	R65270220	2	ORANGE INDICATING LIGHT
7	R65270230	1	GREEN INDICATING LIGHT
8	R65300540	1	CONTROL PANEL P.C. BOARD
9	R65320900	1	CORE TEMPERATURE PROBE
10	R65320920	1	CORE TEMPERATURE PROBE FEMALE CONNECTOR
11	R65321020	1	COVER FOR FEMALE CONNECTOR
12	R65340050	1	THERMOMETER
13	R67012360	1	LAINOX PLATE
14	R69030150	3	KNOB KIT
15	R70040840	1	CONTROL PANEL GASKET
16	R70050020	6	KNOB GASKET
17	R86020420	1	CORE TEMPERATURE PROBE BOX

POS.	CODE	PIECES	DESCRIPTION