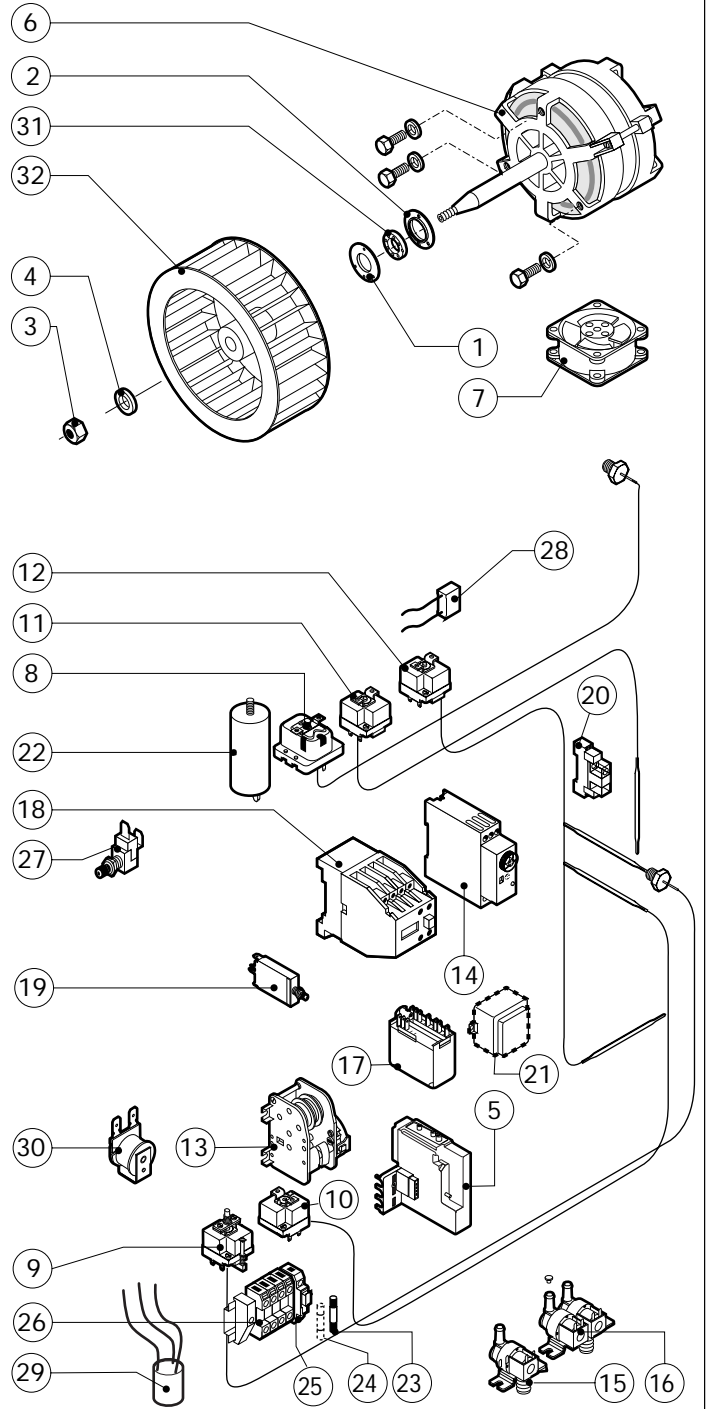
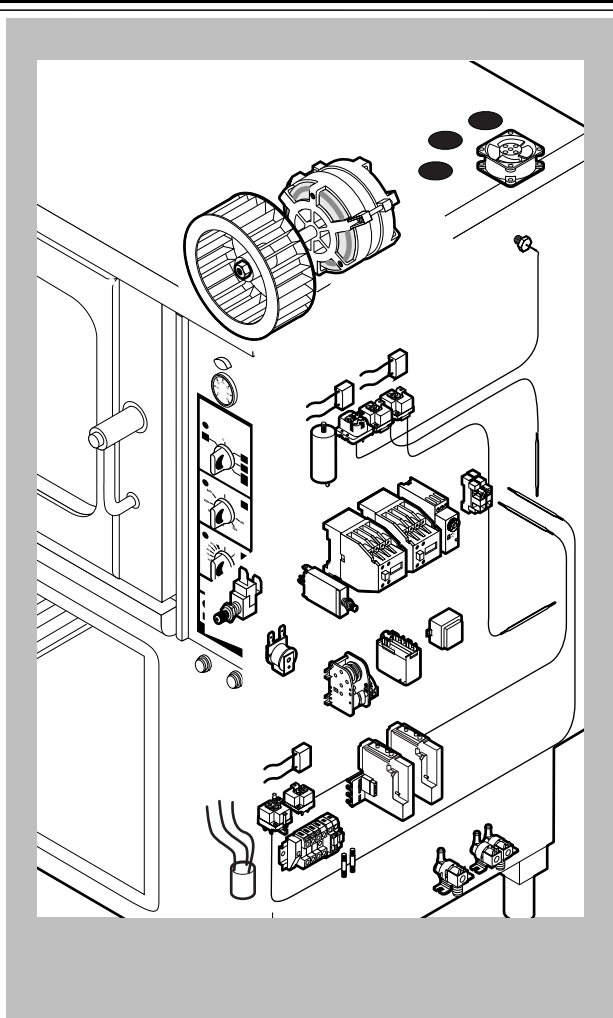


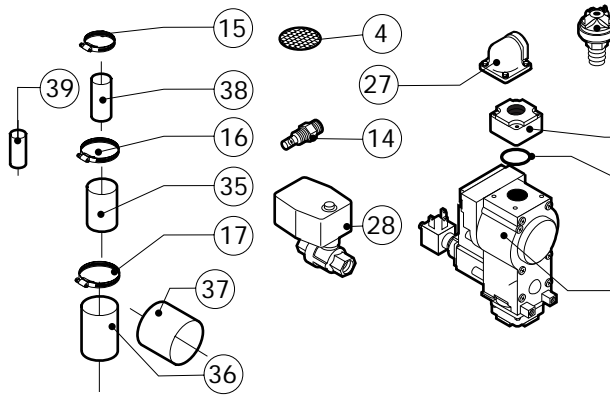
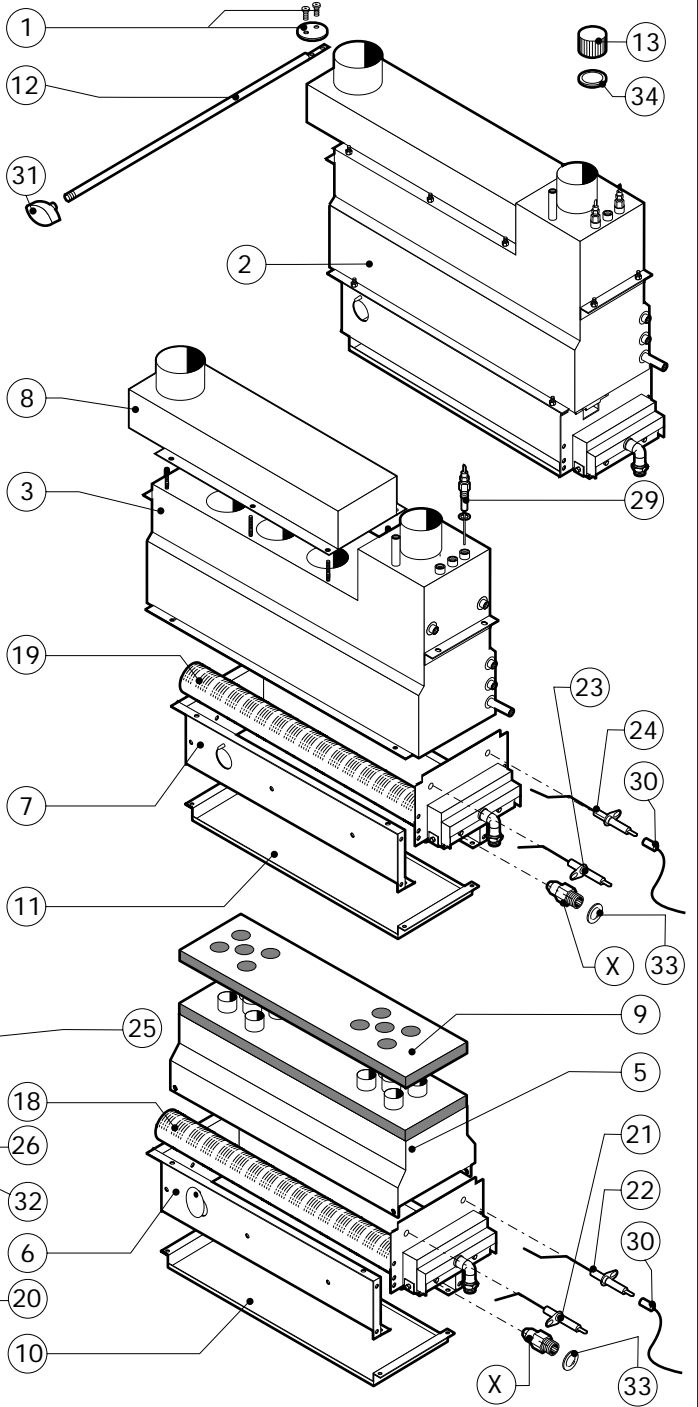
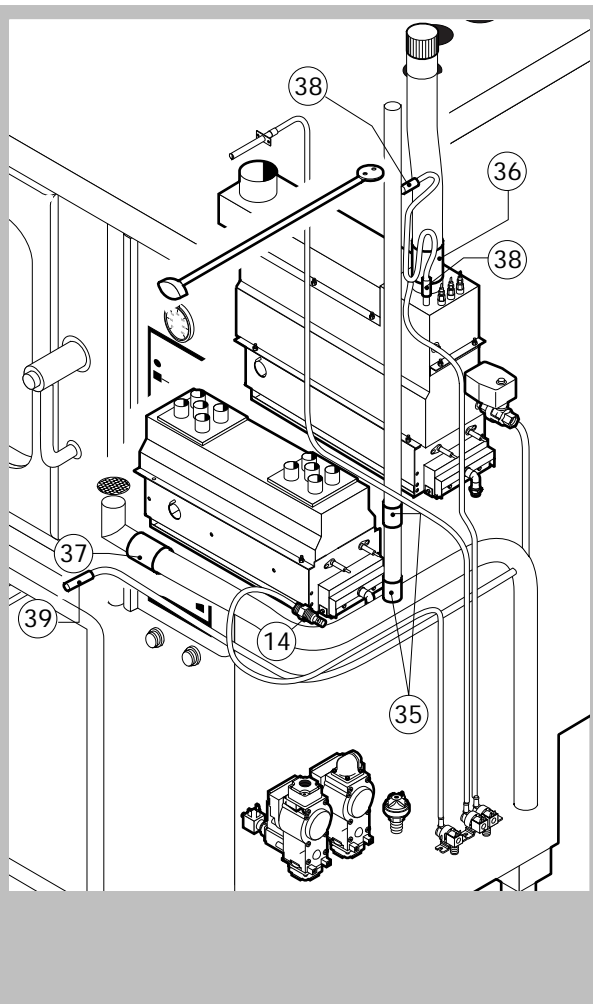
POS.	CODE	PIECES	DESCRIPTION
1	R09200230	1	DOOR HANDLE
2	R10100110	1	PRONG FLANGE
3	R10201190	1	LOWER DOOR HINGE
4	R10201290	1	UPPER DOOR HINGE
5	R10208290	1	FRONT LOWER DOOR PANEL CATCH
6	R10208300	1	FRONT UPPER DOOR PANEL CATCH
7	R10208310	1	FRONT DOOR PANEL
8	R10212220	1	DOOR
9	R10400150	1	LIGHT PROTECTION
10	R10401320	1	INNER DOOR PANEL
11	R10401710	1	WASHER FOR UPPER DOOR HINGE
12	R10441140	1	DOOR DRIP TRAY
13	R10456040	1	LOWER HINGE FOR FRONT DOOR PANEL
14	R10456050	1	UPPER HINGE FOR FRONT DOOR PANEL
15	R58002150	1	HINGE PIN
16	R58002160	1	DOOR HANDLE PRONG PIN
17	R58002760	1	DOOR HANDLE PRONG COUPLER
18	R58003240	1	DOOR HANDLE BUTTON ROD
19	R58004050	1	NUT FOR UPPER DOOR HINGE

POS.	CODE	PIECES	DESCRIPTION
20	R58004270	1	DOOR HANDLE SPACER
21	R58004830	1	RING NUT M18x1
22	R58005050	1	DOOR HANDLE PRONG
23	R58005340	1	DOOR HANDLE LOWER INSULATION WASHER
24	R58005350	1	DOOR HANDLE UPPER INSULATION WASHER
25	R61620012	1	DOOR HANDLE CATCH SPRING
26	R61620041	1	DOOR HANDLE BUTTON SPRING
27	R65270020	1	LIGHT 20W 12V G4
28	R65270400	1	LIGHT SOCKET
29	R69015000	1	DOOR HANDLE ASSEMBLY
30	R69031190	1	DOOR HANDLE PUSH BUTTON
31	R70040080	2	GLASS GASKET
32	R70040800	1	LIGHT PROTECTION GASKET
33	R70042010	1	DOOR GASKET
34	R71030060	1	DOOR GLASS



POS.	CODE	PIECES	DESCRIPTION
1	R58003860	1	MOTOR GASKET BRASS FLANGE
2	R58003870	1	MOTOR GASKET BRASS COUNTER FLANGE
3	R58004020	1	FAN SECURITY NUT M10 SX
4	R61400052	1	FAN WASHER Ø 21/10.5
5	R63060100	2	BURNER IGNITION PANEL
6	R65040420	1	MOTOR KW 0.37 KIT
7	R65060050	1	COMPONENTS VENTILATION MOTOR Ø 120
8	R65070070	1	CHAMBER SAFETY THERMOSTAT
9	R65070080	1	STEAM GENERATOR SAFETY THERMOSTAT
10	R65070100	1	THERMOSTAT 55°C
11	R65070165	1	THERMOSTAT 65°C
12	R65070240	1	THERMOSTAT 70°C
13	R65090190	1	REVERSING SWITCH 8'
14	R65090450	1	IGNITION DELAY TIMER
15	R65110010	1	SOLENOID VALVE 220V 50HZ
16	R65115000	1	SOLENOID VALVE 220V 50HZ WITH FLOW REDUCER
17	R65120010	1	LEVEL REGULATOR
18	R65140150	2	CONTACTOR 3TF4011-OAUO 240V
19	R65160310	1	THERMIC PROTECTION T12-211S-2.5A

POS.	CODE	PIECES	DESCRIPTION
20	R65170050	2	RELAY 4052 240V AC 10A
21	R65180420	1	TRANSFORMER 20VA
22	R65190180	1	CAPACITOR 10 µF
23	R65200200	1	FUSE 2A
24	R65200320	1	FUSE 0.2A (T)
25	R65210020	2	FUSE CARRIER
26	R65220220	1	TERMINAL BOARD
27	R65260540	1	DOOR SWITCH
28	R65280130	3	INTERFERENCE SUPPRESSOR
29	R65280210	1	INTERFERENCE SUPPRESSOR
30	R65330010	1	BUZZER
31	R70020040	1	MOTOR GASKET
32	R75400400	1	FAN Ø 220x78/12 50HZ P.D. KIT



POS.	CODE	PIECES	DESCRIPTION
1	R04403460	1	CHAMBER VENT PLATE Ø 46
2	R10102010	1	STEAM GENERATOR ASSEMBLY
3	R10200980	1	STEAM GENERATOR
4	R10201700	1	DRAIN FILTER
5	R10202400	1	COMBUSTION CABINET
6	R10202500	1	CABINET BURNERS SUPPORT
7	R10202580	1	STEAM GENERATOR SUPPORT
8	R10211830	1	STEAM GENERATOR GAS FLUE PIPE
9	R10402390	1	COMBUSTION CABINET INSULATION PLATE
10	R10403780	1	CHAMBER BURNERS PROTECTION PLATE
11	R10403800	1	STEAM GENERATOR BURNERS PROTECTION PLATE
12	R58003460	1	CHAMBER VENT ROD
13	R58005680	1	STEAM GENERATOR DESCALING CAP 1"1/4 F
14	R58006090	1	STEAM QUENCHING NOZZLE Ø 1
15	R61630011	12	METAL CLAMPS 12-22/9
16	R61630021	2	METAL CLAMPS 30-45/9
17	R61630031	4	METAL CLAMPS 40-60/9
18	R63016220	1	CHAMBER BURNER ASSEMBLY
19	R63016230	1	STEAM GENERATOR BURNER ASSEMBLY
20	R63020160	2	GAS SOLENOID VALVE
21	R63050300	1	IGNITOR

POS.	CODE	PIECES	DESCRIPTION
22	R63050310	1	SENSOR
23	R63050360	1	IGNITOR
24	R63050370	1	SENSOR
25	R63070010	1	GAS SAFETY PRESSURE SWITCH PG 901.61
26	R63080040	3	STRAIGHT FLANGE 1/2"
27	R63080050	1	CURVED FLANGE 1/2"
28	R65110540	1	STEAM GENERATOR DRAIN MOTORIZED VALVE
29	R65320010	2	STEAM GENERATOR LEVEL PROBE
30	R66605850	2	FLAME IGNITION CABLE/FLAME SENSOR CABLE
31	R69010410	1	STEAM OUTLET KNOB
32	R70010070	4	RING
33	R70030090	4	NOZZLE GASKET
34	R70050040	1	STEAM GENERATOR CAP GASKET
35	R70060010	2	SILICON COUPLING Ø 30
36	R70060030	1	SILICON COUPLING Ø 40
37	R70060040	1	SILICON COUPLING Ø 50
38	R70060060	2	SILICON COUPLING Ø 15
39	R70060080	1	SILICON COUPLING Ø 13
X		2	NOZZLE (See service manual)
X		2	NOZZLE (See service manual)

