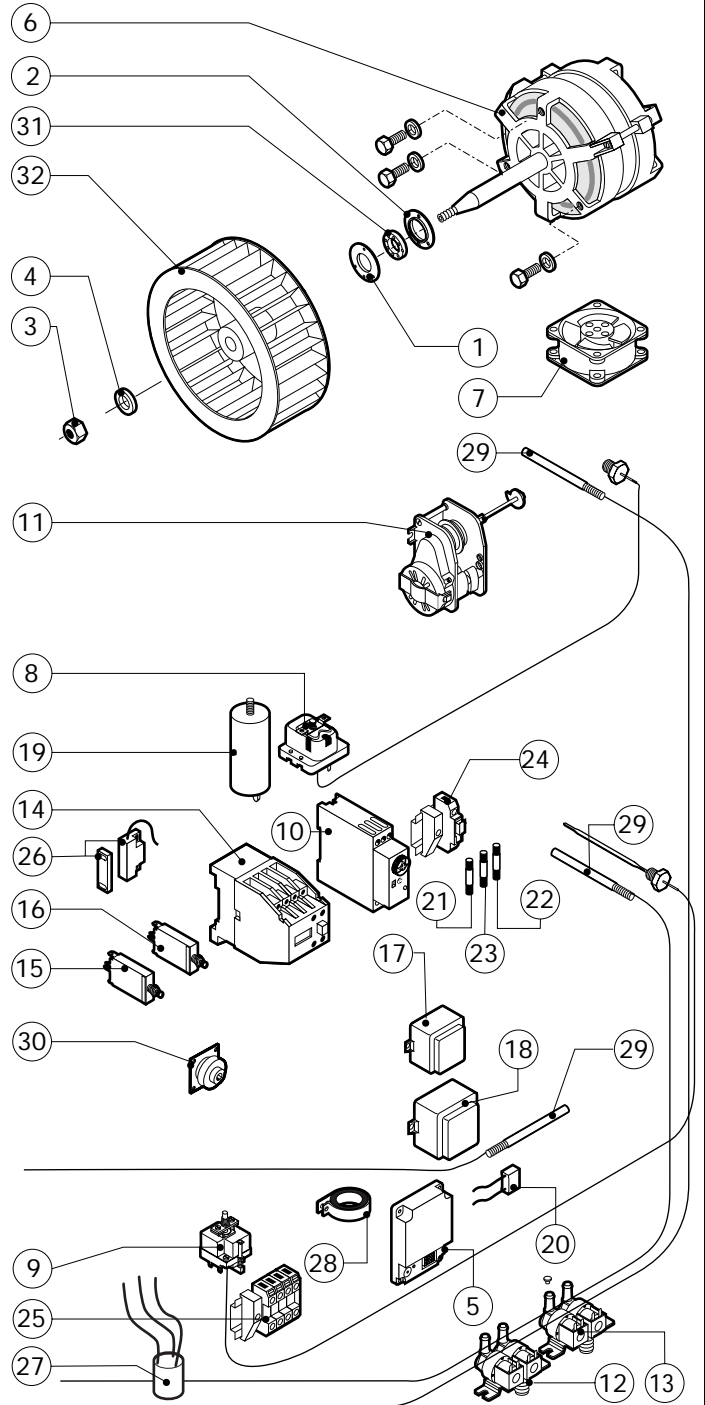
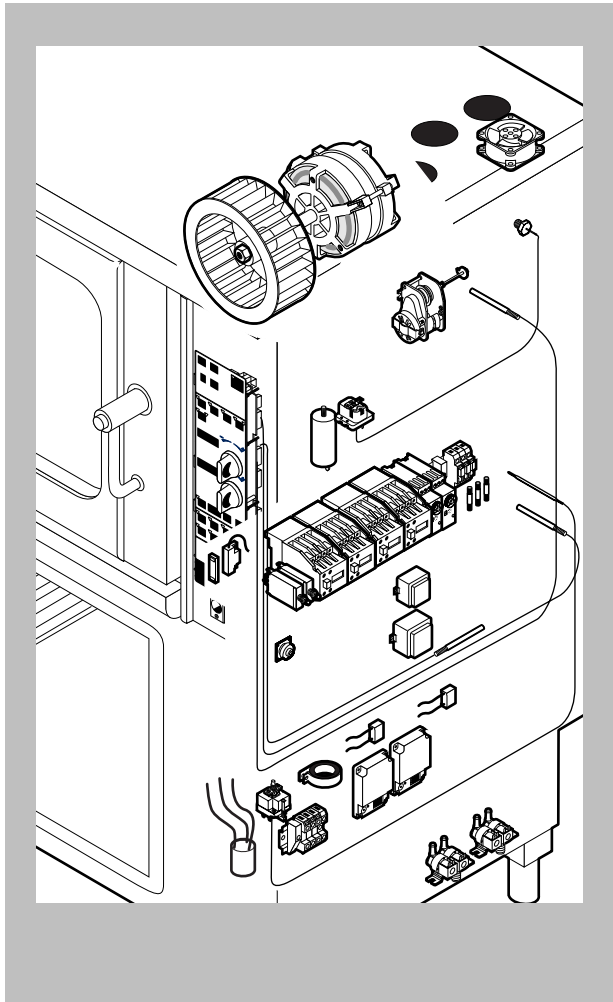


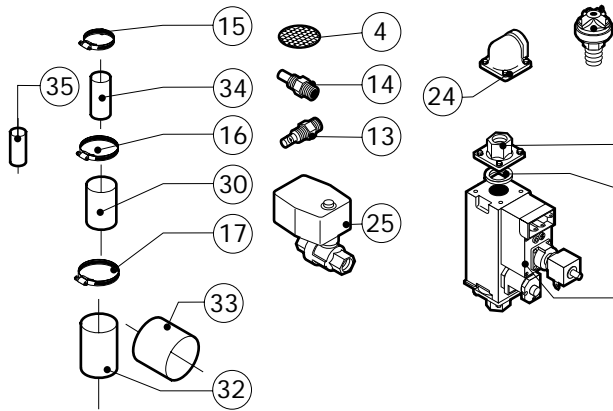
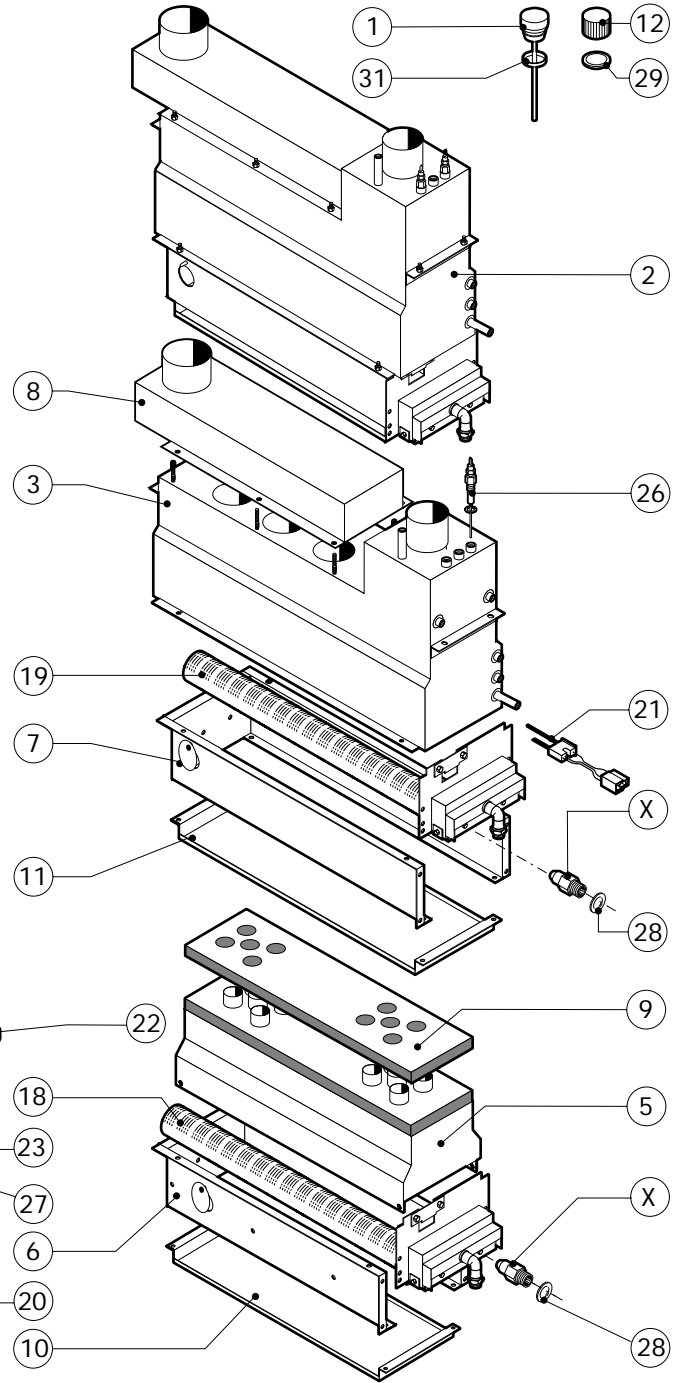
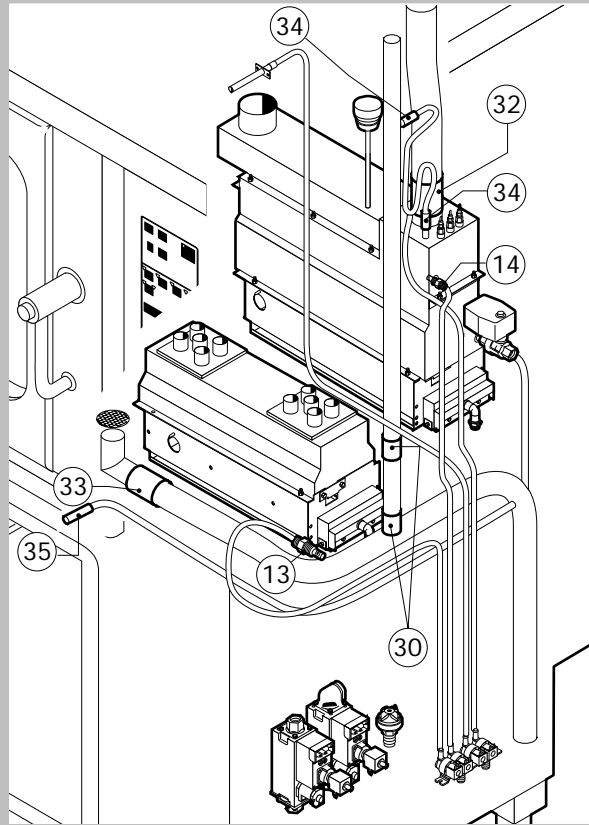
POS.	CODE	PIECES	DESCRIPTION
1	R09200230	1	DOOR HANDLE
2	R10100110	1	PRONG FLANGE
3	R10201190	1	LOWER DOOR HINGE
4	R10201290	1	UPPER DOOR HINGE
5	R10207600	1	DOOR
6	R10208290	1	FRONT LOWER DOOR PANEL CATCH
7	R10208300	1	FRONT UPPER DOOR PANEL CATCH
8	R10208310	1	FRONT DOOR PANEL
9	R10400150	1	LIGHT PROTECTION
10	R10401320	1	INNER DOOR PANEL
11	R10401710	1	WASHER FOR UPPER DOOR HINGE
12	R10456040	1	LOWER HINGE FOR FRONT DOOR PANEL
13	R10456050	1	UPPER HINGE FOR FRONT DOOR PANEL
14	R58002150	1	HINGE PIN
15	R58002160	1	DOOR HANDLE PRONG PIN
16	R58002760	1	DOOR HANDLE PRONG COUPLER
17	R58003240	1	DOOR HANDLE BUTTON ROD
18	R58004050	1	NUT FOR UPPER DOOR HINGE
19	R58004270	1	DOOR HANDLE SPACER

POS.	CODE	PIECES	DESCRIPTION
20	R58004830	1	RING NUT M18x1
21	R58005050	1	DOOR HANDLE PRONG
22	R58005340	1	DOOR HANDLE LOWER INSULATION WASHER
23	R58005350	1	DOOR HANDLE UPPER INSULATION WASHER
24	R61620012	1	DOOR HANDLE CATCH SPRING
25	R61620041	1	DOOR HANDLE BUTTON SPRING
26	R65270020	1	LIGHT 20W 12V G4
27	R65270400	1	LIGHT SOCKET
28	R69015000	1	DOOR HANDLE ASSEMBLY
29	R69031190	1	DOOR HANDLE PUSH BUTTON
30	R70040080	2	GLASS GASKET
31	R70040800	1	LIGHT PROTECTION GASKET
32	R70042010	1	DOOR GASKET
33	R71030060	1	DOOR GLASS



POS.	CODE	PIECES	DESCRIPTION
1	R58003860	1	MOTOR GASKET BRASS FLANGE
2	R58003870	1	MOTOR GASKET BRASS COUNTER FLANGE
3	R58004020	1	FAN SECURITY NUT M10 SX
4	R61400052	1	FAN WASHER Ø 21/10.5
5	R63060080	2	BURNER IGNITION PANEL WR 50A72-214
6	R65040430	1	MOTOR 0.37/0.05 KW KIT
7	R65060050	1	COMPONENTS VENTILATION MOTOR Ø 120
8	R65070070	1	CHAMBER SAFETY THERMOSTAT
9	R65070080	1	STEAM GENERATOR SAFETY THERMOSTAT
10	R65090450	2	IGNITION DELAY TIMER
11	R65095000	1	DAMPER SYSTEM
12	R65110040	1	SOLENOID VALVE 220V 50HZ
13	R65115000	1	SOLENOID VALVE 220V 50HZ WITH FLOW REDUCER
14	R65140150	4	CONTACTOR 3TF4011-OAUO 240V
15	R65160300	1	THERMIC PROTECTION T12-2115-0.8A
16	R65160310	1	THERMIC PROTECTION T12-2115-2.5A
17	R65180420	1	TRANSFORMER 20VA
18	R65180650	1	TRANSFORMER 23VA
19	R65190180	1	CAPACITOR 10 µF

POS.	CODE	PIECES	DESCRIPTION
20	R65190200	2	INTERFERENCE SUPPRESSOR
21	R65200086	1	FUSE 0.125A (T)
22	R65200200	1	FUSE 2A
23	R65200320	1	FUSE 0.2A (T)
24	R65210020	3	FUSE CARRIER
25	R65220220	1	TERMINAL BOARD
26	R65265100	1	DOOR SWITCH
27	R65280210	1	INTERFERENCE SUPPRESSOR
28	R65280450	1	FERRITE
29	R65325000	3	PROBE PT100
30	R65330040	1	BUZZER
31	R70020040	1	MOTOR GASKET
32	R75400400	1	FAN Ø 220x78/12 50HZ P.D. KIT



POS.	CODE	PIECES	DESCRIPTION
1	R10100140	1	DAMPER SYSTEM CAP
2	R10102010	1	STEAM GENERATOR ASSEMBLY
3	R10200980	1	STEAM GENERATOR
4	R10201700	1	DRAIN FILTER
5	R10202400	1	COMBUSTION CABINET
6	R10202500	1	CABINET BURNERS SUPPORT
7	R10202580	1	STEAM GENERATOR SUPPORT
8	R10211830	1	STEAM GENERATOR GAS FLUE PIPE
9	R10402390	1	COMBUSTION CABINET INSULATION PLATE
10	R10403780	1	CHAMBER BURNERS PROTECTION PLATE
11	R10403800	1	STEAM GENERATOR BURNERS PROTECTION PLATE
12	R58005680	1	STEAM GENERATOR DESCALING CAP 1"1/4 F
13	R58006090	1	STEAM QUENCHING NOZZLE Ø 1
14	R58006110	1	STEAM GENERATOR FLUSHING NOZZLE
15	R61630011	14	METAL CLAMPS 12-22/9
16	R61630021	2	METAL CLAMPS 30-45/9
17	R61630031	4	METAL CLAMPS 40-60/9
18	R63016050	1	CHAMBER BURNER ASSEMBLY
19	R63016060	1	STEAM GENERATOR BURNER ASSEMBLY

POS.	CODE	PIECES	DESCRIPTION
20	R63020010	2	GAS SOLENOID VALVE VR4605
21	R63050040	2	IGNITOR/SENSOR WR 768G213
22	R63070010	1	GAS SAFETY PRESSURE SWITCH PG 901.61
23	R63080010	3	STRAIGHT FLANGE 1/2"
24	R63080020	1	CURVED FLANGE 1/2"
25	R65110540	1	STEAM GENERATOR DRAIN MOTORIZED VALVE
26	R65320010	2	STEAM GENERATOR LEVEL PROBE
27	R70010070	4	RING
28	R70030090	4	NOZZLE GASKET
29	R70050040	1	STEAM GENERATOR CAP GASKET
30	R70060010	2	SILICON COUPLING Ø 30
31	R70060020	1	DAMPER SYSTEM CAP GASKET
32	R70060030	1	SILICON COUPLING Ø 40
33	R70060040	1	SILICON COUPLING Ø 50
34	R70060060	2	SILICON COUPLING Ø 15
35	R70060080	1	SILICON COUPLING Ø 13
X		2	NOZZLE (See service manual)
X		2	NOZZLE (See service manual)

