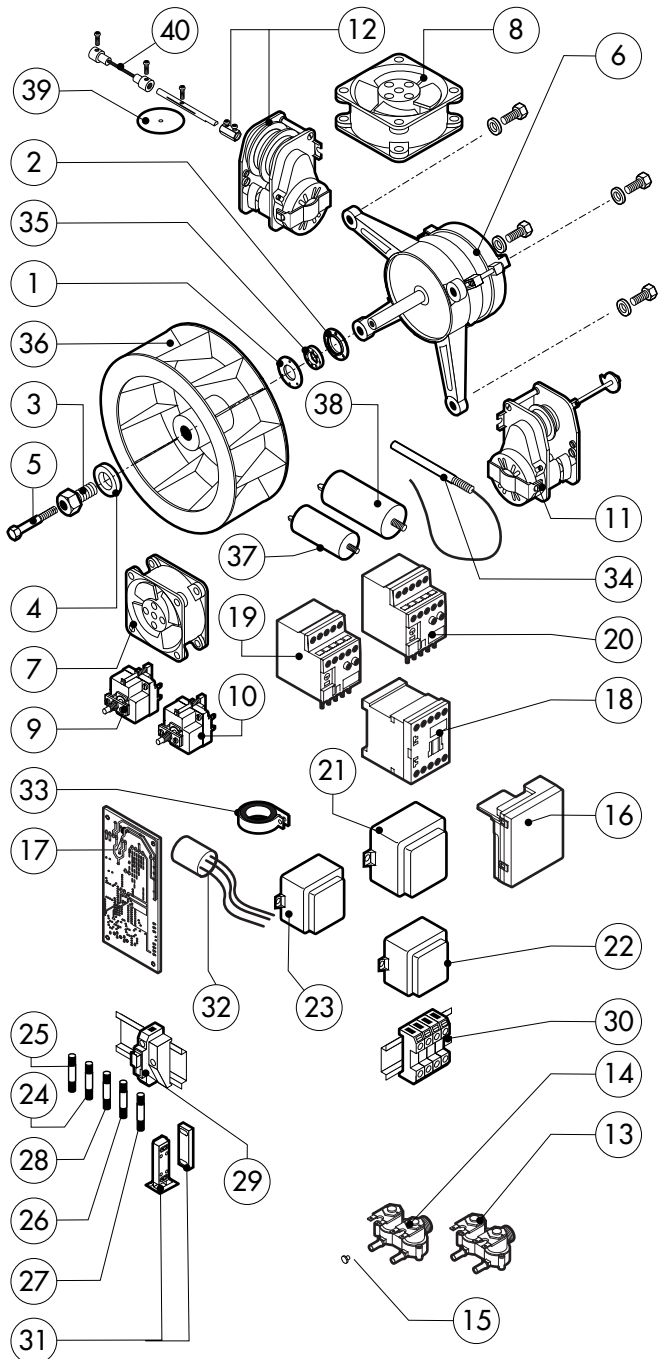
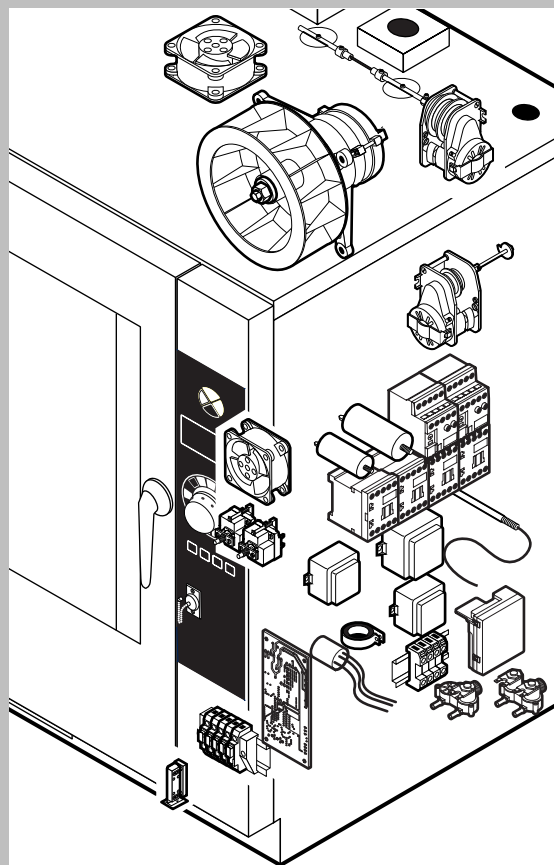


POS.	CODE	PIECES	DESCRIPTION
1	R11100170	1	DOOR UNTIL CRXXXXXX4
	R11101440	1	DOOR FROM CRXXXXXX5
2	R11201910	1	INNER DOOR PANEL UNTIL CRXXXXXX4
	R11202160	1	INNER DOOR PANEL FROM CRXXXXXX5
3	R11100140	1	INNER DOOR GLASS
4	R11200520	1	DOOR DRIP TRAY DRAINAGE UNTIL CRXXXXXX4
	R69180000	1	DOOR DRIP TRAY DRAINAGE FROM CRXXXXXX5
5	R58001760	2	INNER GLASS SOLID HINGE
6	R58001770	2	INNER GLASS HINGE PIN
7	R58001780	2	INNER GLASS CATCH KIT
8	R11401340	1	TOP "C" PROFILE
9	R11401360	1	LOWER "C" PROFILE
10	R11200550	1	LOWER DOOR HINGE UNTIL CRXXXXXX1
	R11200551	1	LOWER DOOR HINGE UNTIL CRXXXXXX2
	R11207240	1	LOWER DOOR HINGE FROM CRXXXXXX5
11	R58002670	1	LOWER HINGE PIN
12	R11200560	1	UPPER DOOR HINGE
13	R58002150	1	HINGE PIN
14	R58004050	2	NUT FOR UPPER DOOR HINGE

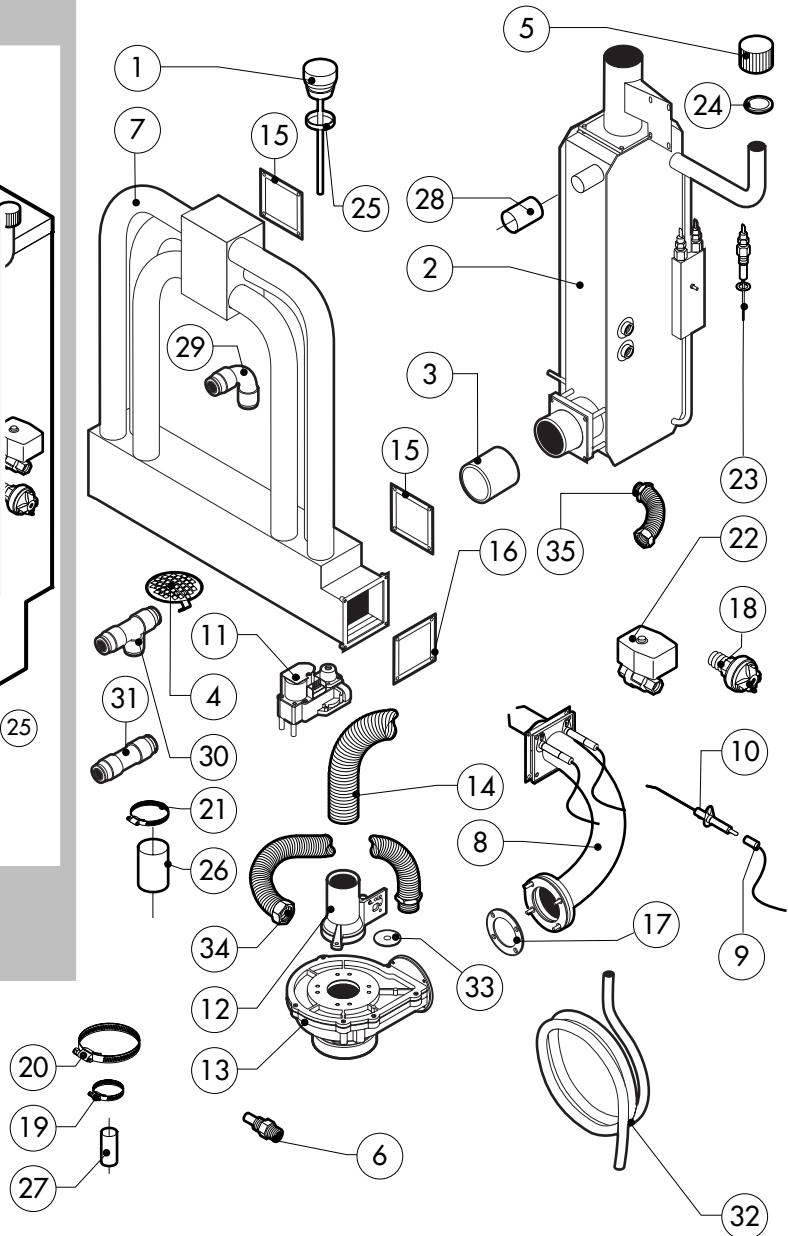
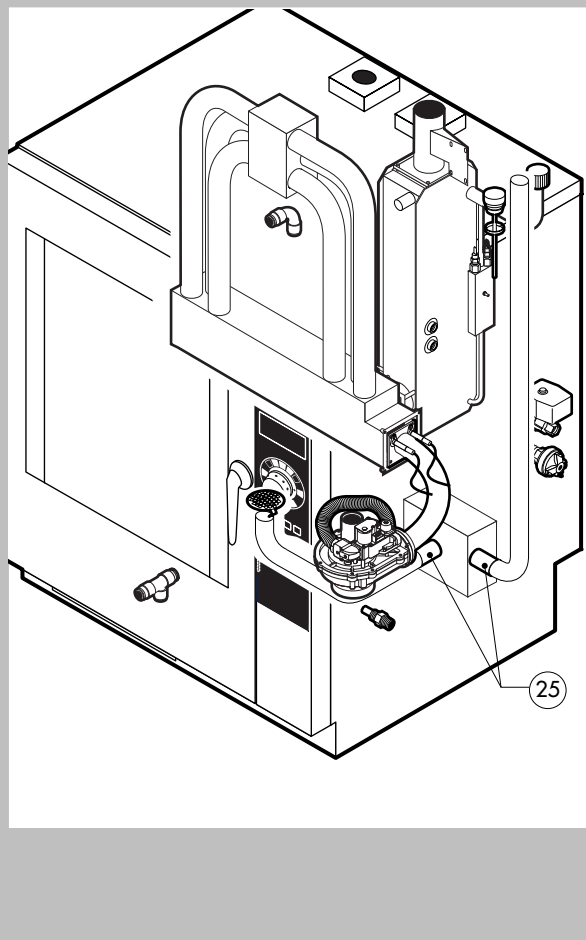
POS.	CODE	PIECES	DESCRIPTION
15	R10401710	1	WASHER FOR UPPER DOOR HINGE
16	R70050100	6	GLASS SILICON SPACERS
17	R70044150	1	GLASS GASKET
18	R66110320	1	DOOR LAMPS CABLE SET
19	R11401440	2	LAMP COVER
20	R71500150	2	GLASS LAMP
21	R70044200	2	LAMP GASKET
22	R11401450	2	GLASS HOLDER LAMP FLANGE
23	R65270020	2	LIGHT 20W 12V G4
24	R65270450	2	LIGHT SOCKET
25	R65260750	1	LAMPS CONTACT BLOCK
26	R66110300	1	LAMPS CONTACT CABLE SET
27	R11100300	1	DOOR HANDLE ASSEMBLY
28	R69010260	1	DOOR LATCH 1 STEP
29	R69010270	1	DOOR LATCH 2 STEP
30	R69010250	1	DOOR CATCH KIT
31	R69010630	1	INNER DOOR CATCH PLASTIC COVER
32	R61620132	1	PRONG FLANGE



POS.	CODE	PIECES	DESCRIPTION
1	R58003840	1	MOTOR GASKET BRASS FLANGE
2	R58003850	1	MOTOR GASKET BRASS COUNTER FLANGE
3	R58004000	1	FAN SCREW M12x1.5 SX
4	R58004010	1	FAN WASHER Ø 30/12.5
5	R61020562	1	FAN SCREW TE A2 M6x55
6	*R65040540	1	MOTOR 055/015 KW KIT
7	R65060050	1	VENTILATION MOTOR Ø 120
8	R65060060	1	VENTILATION MOTOR Ø 150 - UNTIL Na3503CRXXXXX1
	R65060050	1	VENTILATION MOTOR Ø 120 - FROM Na3603CRXXXXX2
9	R65070350	1	CHAMBER SAFETY THERMOSTAT
10	R65070081	1	STEAM GENERATOR SAFETY THERMOSTAT
11	R65095000	1	DAMPER SYSTEM
12	R65090240	1	DRAIN MOTOR
13	R65110210	1	SOLENOID VALVE 220V 50HZ
14	R65110230	1	SOLENOID VALVE 220V 50HZ WITH FLOW REDUCER
15	R65110510	1	15 LT/H WATER FLOW REDUCER
16	R63060120	1	BURNER IGNITION PANEL
17	R63130020	1	GAS BURNER FAN MOTOR PCBOARD
18	*R65140380	4	CONTACTOR 3RT1016-1AP02 240V
19	*R65160620	1	THERMIC PROTECTION 3RU1116-1BB0 1,4-2,0A
20	*R65160590	1	THERMIC PROTECTION 3RU1116-1EB0 2,8-4,0A

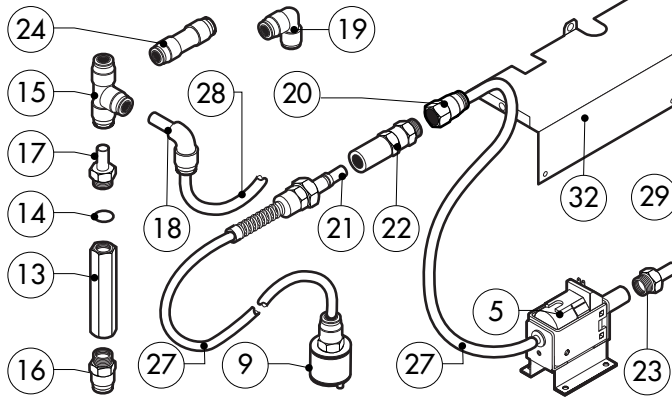
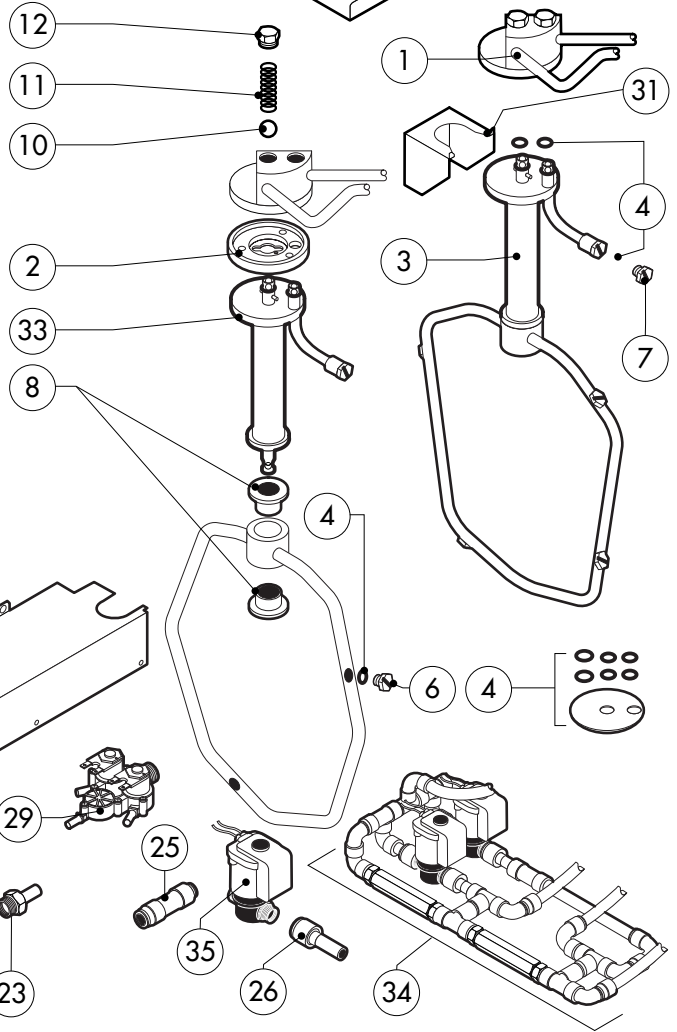
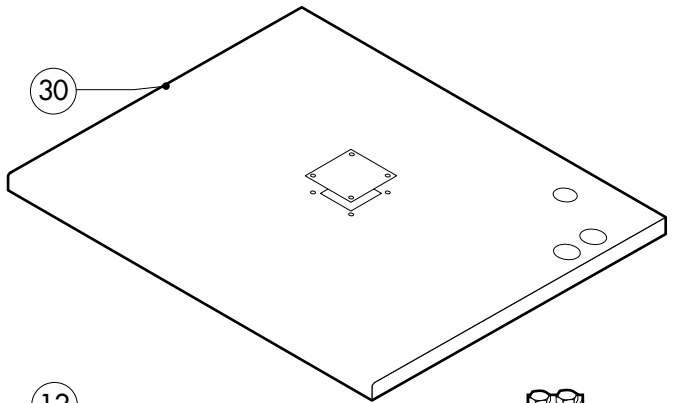
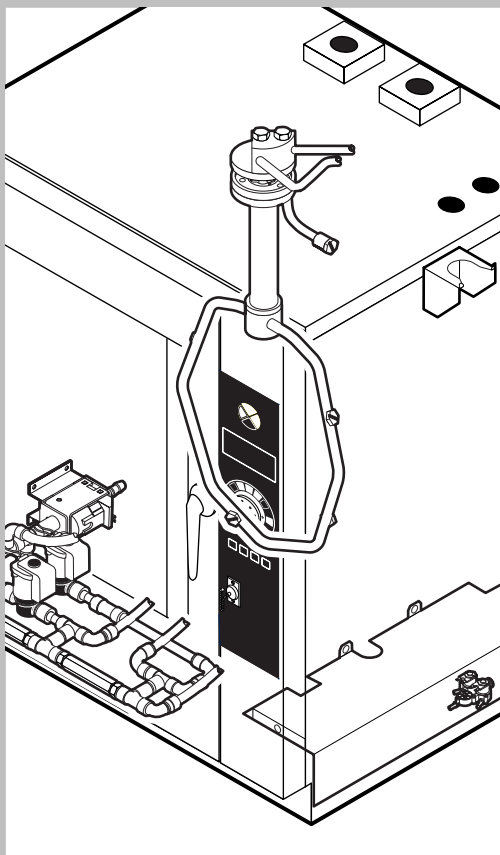
POS.	CODE	PIECES	DESCRIPTION
21	R65180770	1	TRANSFORMER 50VA
22	R65180430	1	TRANSFORMER 40VA
23	R65180420	2	TRANSFORMER 20VA
24	R65200086	1	FUSE 0.125A (T)
25	R65200200	1	FUSE 2A
26	R65200120	1	FUSE 1A
27	R65200040	1	FUSE 0.500A (T)
28	R65200090	1	FUSE 0.25A (T)
29	R65210020	5	FUSE CARRIER
30	R65220220	1	TERMINAL BOARD
31	R65265100	1	DOOR SWITCH
32	*R65280210	1	INTERFERENCE SUPPRESSOR
33	*R65280450	1	FERRITE
34	R65325000	3	PROBE PT100
35	R70020050	1	MOTOR GASKET
36	*R75400440	1	FAN Ø 350x114/12 50HZ P.D. KIT
37	*R65190180	1	CAPACITOR 10 µF
38	*R65190050	1	CAPACITOR 20 µF
39	R11402840	2	SMOKES OUTLET PLATE
40	R61660000	1	CARDAN JOINT

*COMPONENT SUBMITTED TO CHANGEMENTS CAUSED BY TENSION DIFFERENT FROM THE STANDARD (AC 230V 50HZ)



POS.	CODE	PIECES	DESCRIPTION
1	R10100140	1	DAMPER SYSTEM CAP
2	R11100370	1	STEAM GENERATOR ASSEMBLY
3	R70080010	1	CERAMIC PROTECTION TUBE
4	R10201700	1	DRAIN FILTER
5	R58005680	1	STEAM GENERATOR DESCALING CAP 1"1/4 F
6	R58006130	2	STEAM QUENCHING NOZZLE Ø 1
7	R11202401	1	HEAT EXCHANGER ACCESSORIES INCLUDED
8	R11202480	1	BURNER ASSEMBLY
9	R66110370	1	FLAME IGNITION CABLE/FLAME SENSOR CABLE
10	R63050070	2	IGNITOR - UNTIL Nn3004
10	R63050100	2	IGNITOR - FROM Nn3104
11	R63020170	1	GAS SOLENOID VALVE
12	R63120010	1	VENTURI TUBE
13	R63130010	1	GAS BURNER FAN MOTOR
14	R77700046	1	AIR INLET FLEXIBLE PIPE
15	R63140020	4	STEAM GENERATOR/HEAT EXCHANGER GASKET
16	R63140060	2	BURNER/HEAT EXCHANGER GASKET
17	R63140050	1	BURNER/FAN MOTOR GASKET
18	R63070010	1	GAS SAFETY PRESSURE SWITCH PG 901.61

POS.	CODE	PIECES	DESCRIPTION
19	R61630011	2	METAL CLAMPS 12-22/9
20	R61630100	2	METAL CLAMPS 32-44/12
21	R61630031	4	METAL CLAMPS 40-60/9
22	R65110560	1	STEAM GENERATOR DRAIN MOTORIZED VALVE
23	R65320010	2	STEAM GENERATOR LEVEL PROBE
24	R70050040	1	STEAM GENERATOR CAP GASKET
25	R70060020	1	DAMPER SYSTEM CAP GASKET
26	R70060040	2	SILICON COUPLING Ø 50
27	R70060080	1	SILICON COUPLING Ø 13
28	R70060030	1	SILICON COUPLING Ø 40
29	R62090478	7	ELBOW MIDDLING PIPE FITTING D.10
30	R62090468	1	"T" MIDDLING PIPE FITTING D.10
31	R62090458	1	STRAIGHT MIDDLING PIPE FITTING D.10
32	R70070050	1	PE D.10 MM X7 WATER FLEXIBLE PIPE (3 MT LONG)
33	R58004190	1	ORIFICE (FOR VERSION LIQUID GAS)
34	R62180082	1	GAS INLET FLEXIBLE PIPE
35	R62180022	1	FLEXIBLE PIPE FOR BOILER DESCALING



POS.	CODE	PIECES	DESCRIPTION
1	R11200880	1	WASHING SYSTEM EXTERNAL ASSEMBLY - UNTIL N ^o 2904
	R11200881	1	WASHING SYSTEM EXTERNAL ASSEMBLY - FROM N ^o 3004
2	R58004960	1	WASHING SYSTEM INNER FLANGE
3	R11100510	1	WASHING DEVICE ASSEMBLY
4	R70045090	1	GASKETS KIT
5	R65110600	1	DETRGENT PUMP
6	R62210032	4	1,3 L/MIN RINSING JET
7	R62210042	1	0,56 L/MIN DETERGENT JET
8	R58004980	2	WASHING DEVICE ROTATION BUSH
9	R65110650	1	BOTTOM FILTER
10	R62220012	2	SPHERA D.14
11	R61620041	2	SPRING
12	R58005000	2	1/2" MALE COVER
13	R65110640	2	ANTI-BACK FLOW
14	R70010050	4	OR GASKETS
15	R62090468	5	"T" MIDLING PIPE FITTING D.10
16	R62090508	1	10X1/4 STRAIGHT THREADED TERMINAL PIPE FITTING
17	R62090518	3	10X1/4 END SIDE PIPE FITTING (WITH TANG)
18	R62090528	10	ELBOW PIPE FITTING (WITH TANG) 10 X 10

POS.	CODE	PIECES	DESCRIPTION
19	R62090478	4	ELBOW MIDLING PIPE FITTING D.10
20	R62090538	1	1/4" FEMALE STRAIGHT PIPE FITTING FOR D.8X6 PIPE
21	R62090482	1	RAPID MALE PIPE FITTING
22	R62090492	1	RAPID FEMALE PIPE FITTING
23	R62090608	2	8X1/8 END SIDE PIPE FITTING (WITH TANG)
24	R62090458	2	STRAIGHT MIDLING PIPE FITTING D.10
25	R62090618	1	10-8 REDUCTION PIPE FITTING
26	R62090548	4	10-6 REDUCTION PIPE FITTING
27	R70070100	1	PE D.8 MM X 6 DETERGENT FLEXIBLE PIPE
28	R70070050	1	PE D.10 MM X7 WATER FLEXIBLE PIPE (3 MT LONG)
29	R65110240	1	SOLENOID VALVE 220V 50HZ WITH FLOW REDUCER
30	R11202350	1	COVER PANEL
31	R11402000	1	WASHING DEVICE EXTERNAL HOLDER
32	R11403830	1	PROTECTION PLATE
33	R11100570	1	TUBE DEVICE SUPPORT WASHING
34	R62300018	1	ANTI-BACK FLOW DEVICE ASSEMBLY - UNTIL N ^o 2904
	R62300028	1	ANTI-BACK FLOW DEVICE ASSEMBLY - FROM N ^o 3004
35	R65110260	2	SOLENOID VALVE D.6 220V 50HZ -FROM N ^o 3004