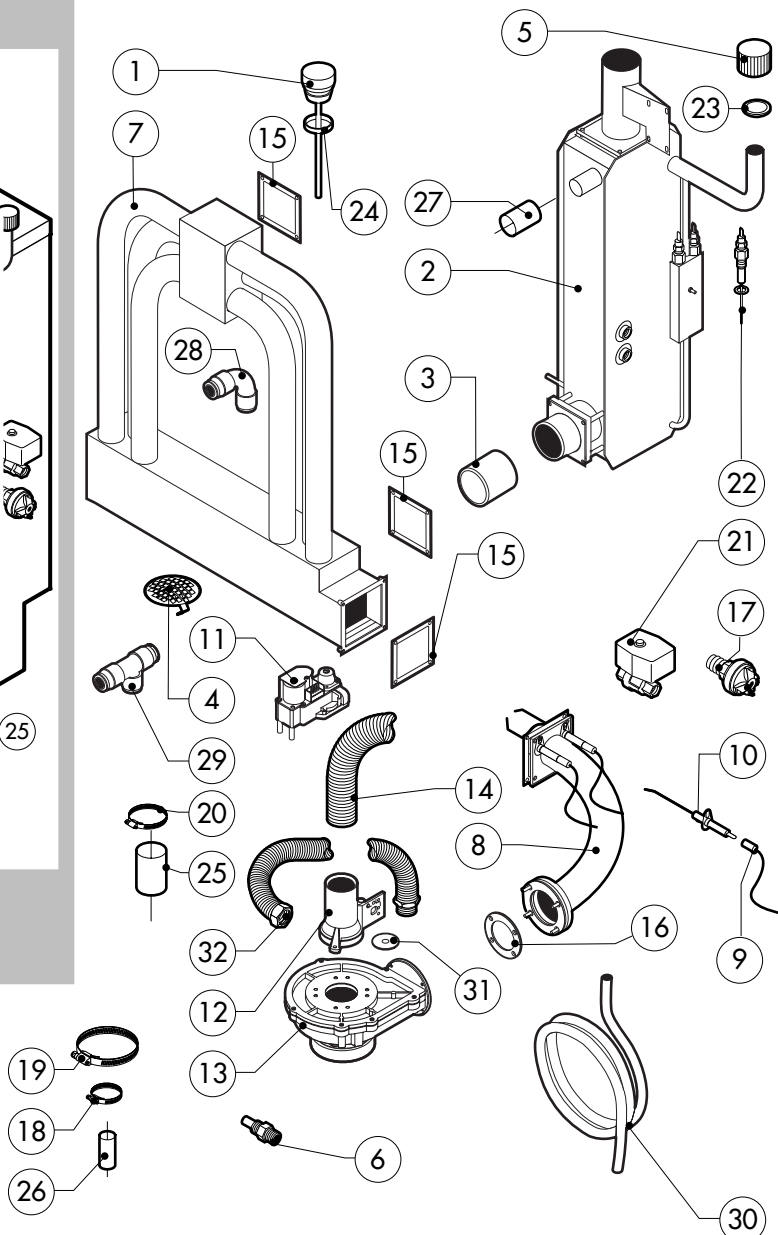
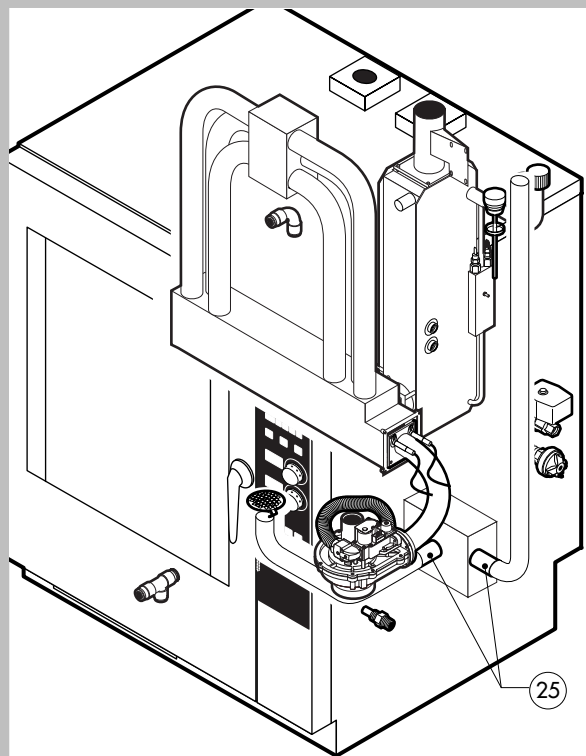


POS.	CODE	PIECES	DESCRIPTION
1	R58003840	1	MOTOR GASKET BRASS FLANGE
2	R58003850	1	MOTOR GASKET BRASS COUNTER FLANGE
3	R58004000	1	FAN SCREW M12x1.5 SX
4	R58004010	1	FAN WASHER Ø 30/12.5
5	R61020562	1	FAN SCREW TE A2 M6x55
6	*R65040550	1	MOTOR KW 055 F1 4P 200-240V KIT
7	R65060050	1	COMPONENTS VENTILATION MOTOR Ø 120
8	R65060060	1	COMPONENTS VENTILATION MOTOR Ø 150
9	R65070350	1	CHAMBER SAFETY THERMOSTAT
10	R65070081	1	STEAM GENERATOR SAFETY THERMOSTAT
11	R65095000	1	DAMPER SYSTEM
12	R65090240	1	DRAIN MOTOR
13	R65110210	1	SOLENOID VALVE 220V 50HZ
14	R65110230	1	SOLENOID VALVE 220V 50HZ WITH FLOW REDUCER
15	R65110510	1	15 LT/H WATER FLOW REDUCER
16	R63060120	1	BURNER IGNITION PANEL
17	R63130020	1	GAS BURNER FAN MOTOR PCBOARD
18	*R65140380	3	CONTACTOR 3TF4011-OAUO 240V
19	*R65160600	1	THERMIC PROTECTION 3RU1116-1FB0 3,5-5,0A
20	R65180770	1	TRANSFORMER 50VA

POS.	CODE	PIECES	DESCRIPTION
21	R65180430	1	TRANSFORMER 40VA
22	R65180420	1	TRANSFORMER 20VA
23	R65200086	1	FUSE 0.125A (T)
24	R65200200	1	FUSE 2A
25	R65200120	1	FUSE 1A
26	R65200040	1	FUSE 0.500A (T)
27	R65200040	1	FUSE 0.25A (T)
28	R65210020	5	FUSE CARRIER
29	R65220220	1	TERMINAL BOARD
30	R65265100	1	DOOR SWITCH
31	*R65280210	1	INTERFERENCE SUPPRESSOR
32	*R65280450	1	FERRITE
33	R65325000	3	PROBE PT100
34	R70020050	1	MOTOR GASKET
35	*R75400440	1	FAN Ø 350x114/12 50HZ P.D. KIT
36	*R65190180	1	CAPACITOR 20 µF
37	R11402840	2	SMOKES OUTKET PLATE
38	R61660000	1	CARDAN JOINT

*COMPONENT SUBMITTED TO CHANGEMENTS CAUSED BY TENSION DIFFERENT FROM THE STANDARD (AC 230V 50HZ)



POS.	CODE	PIECES	DESCRIPTION
1	R10100140	1	DAMPER SYSTEM CAP
2	R11100370	1	STEAM GENERATOR ASSEMBLY
3	R70080010	1	CERAMIC PROTECTION TUBE
4	R10201700	1	DRAIN FILTER
5	R58005680	1	STEAM GENERATOR DESCALING CAP 1"1/4 F
6	R58006130	2	STEAM QUENCHING NOZZLE Ø 1
7	R11202401	1	HEAT EXCHANGER ACCESSORIES INCLUDED
8	R11202480	1	BURNER ASSEMBLY
9	R66605700	2	FLAME IGNITION CABLE/FLAME SENSOR CABLE
10	R63050070	2	IGNITOR
11	R63020170	1	GAS SOLENOID VALVE
12	R63120010	1	VENTURI TUBE
13	R63130010	1	GAS BURNER FAN MOTOR
14	R77700046	1	AIR INLET FLEXIBLE PIPE
15	R63140020	6	BURNER/HEAT EXCHANGER GASKET
16	R63140050	1	BURNER/FAN MOTOR GASKET
17	R63070010	1	GAS SAFETY PRESSURE SWITCH PG 901.61
18	R61630011	2	METAL CLAMPS 12-22/9
19	R61630091	2	METAL CLAMPS 140-160/9

POS.	CODE	PIECES	DESCRIPTION
20	R61630031	6	METAL CLAMPS 40-60/9
21	R65110560	1	STEAM GENERATOR DRAIN MOTORIZED VALVE
22	R65320010	2	STEAM GENERATOR LEVEL PROBE
23	R70050040	1	STEAM GENERATOR CAP GASKET
24	R70060020	1	DAMPER SYSTEM CAP GASKET
25	R70060040	2	SILICON COUPLING Ø 50
26	R70060080	1	SILICON COUPLING Ø 13
27	R70060030	1	SILICON COUPLING Ø 40
28	R62090478	7	ELBOW MIDDLING PIPE FITTING D.10
29	R62090468	1	"T" MIDDLING PIPE FITTING D.10
30	R70070050	1	PE D.10 MM X7 WATER FLEXIBLE PIPE (3 MT LONG)
31	R58004190	1	ORIFICE
32	R62180082	1	GAS INLET FLEXIBLE PIPE

