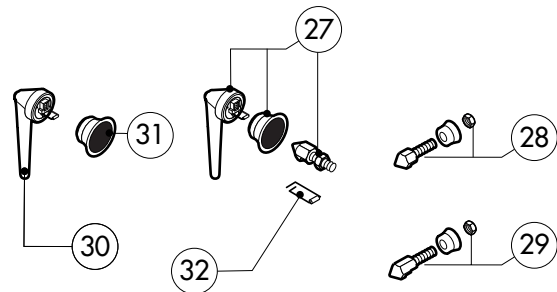
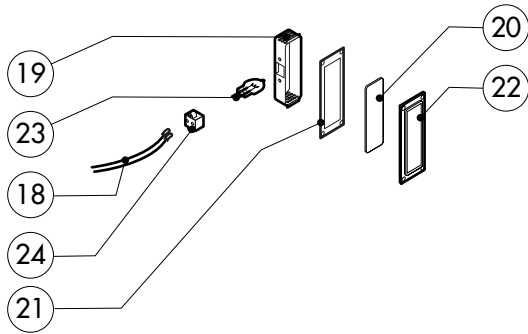
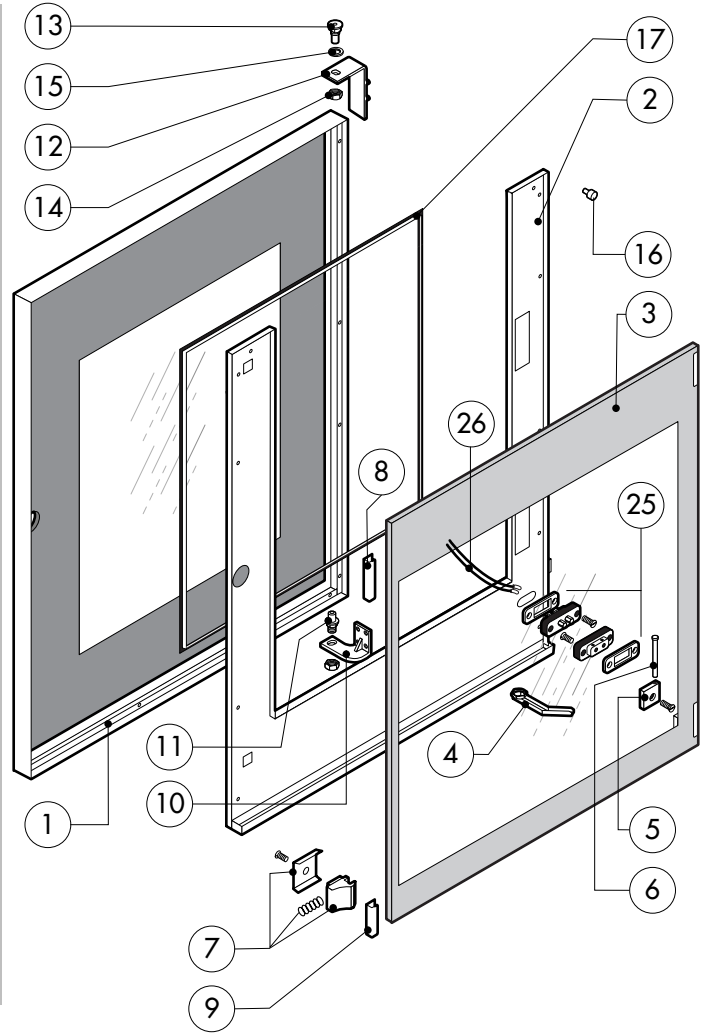
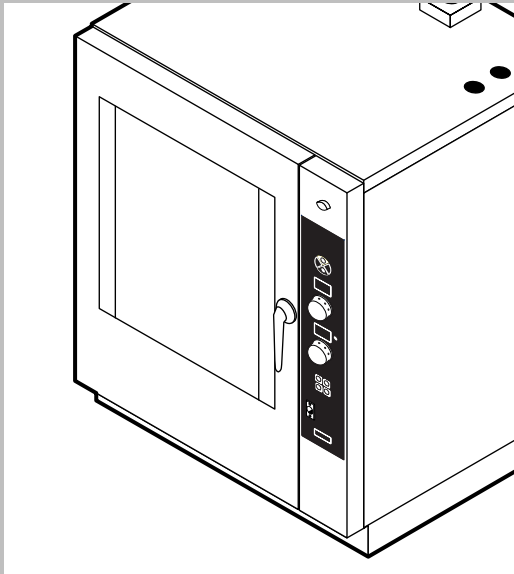


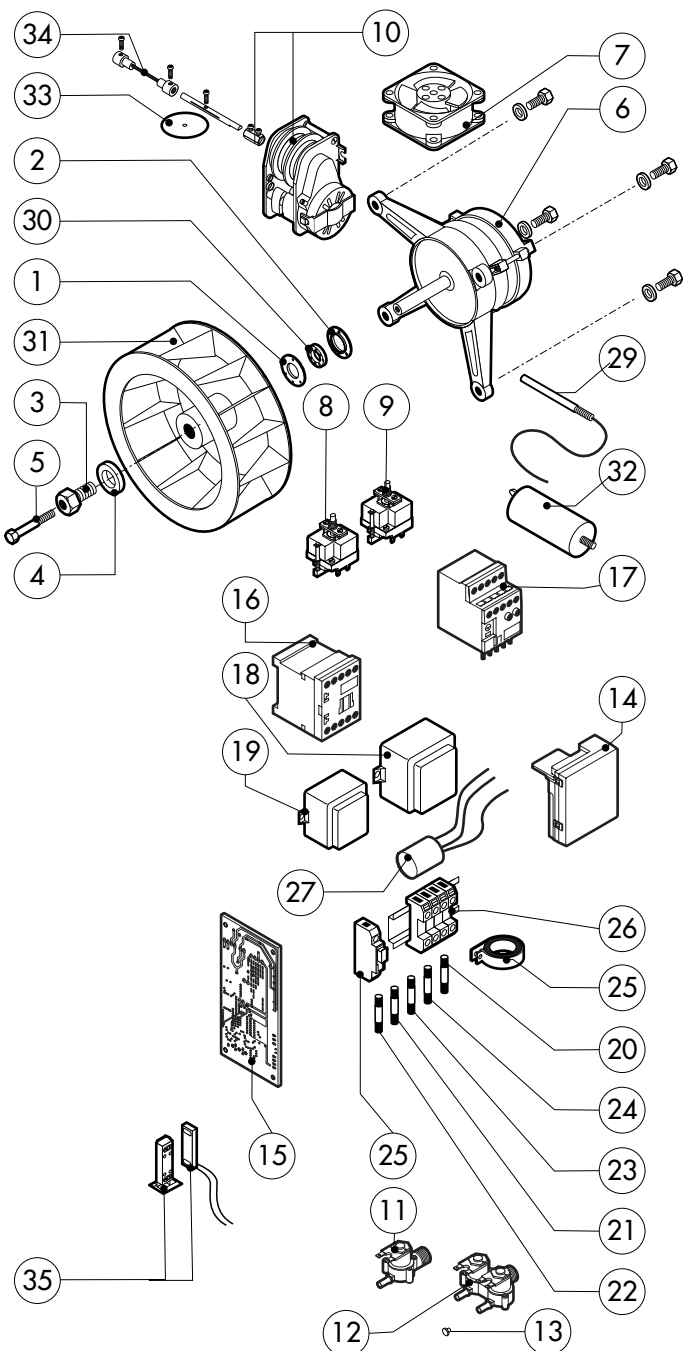
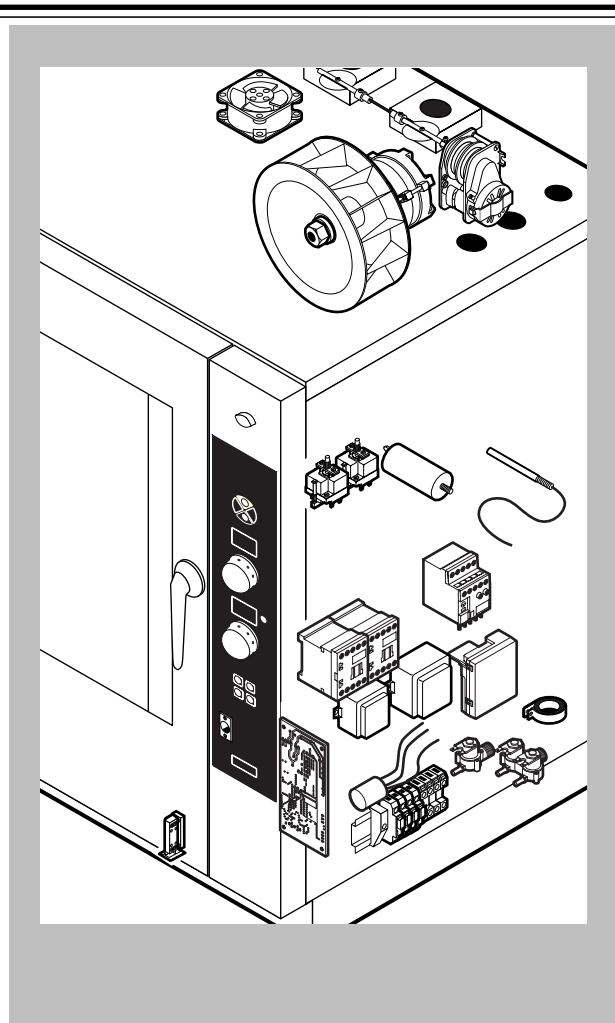
POS.	CODE	PIECES	DESCRIPTION
1	R11101070	1	DOOR ASSEMBLY UNTIL CRXXXXXX1
	R11101130	1	DOOR ASSEMBLY FROM CRXXXXXX2
2	R11207420	1	CONTROL PANEL UNTIL CRXXXXXX1
	R11207430	1	CONTROL PANEL FROM CRXXXXXX2
3	R11201970	1	SPRITZER EXTENSION
4	R11200380	1	SPRITZER UNION
5	R11202300	1	COOKING CABINET ASSEMBLY
6	R11201800	1	FAN GUARD PANEL ASSEMBLY
7	R11414880	1	RIGHT SIDE PANEL UNTIL CRXXXXXX1
	R11202130	1	RIGHT SIDE PANEL FROM CRXXXXXX2
8	R11414890	1	LEFT SIDE PANEL UNTIL CRXXXXXX1
	R11202140	1	LEFT SIDE PANEL FROM CRXXXXXX2
9	R11414900	1	REAR PANEL UNTIL CRXXXXXX1
	R11403990	1	REAR PANEL FROM CRXXXXXX2
10	R11202360	1	COVER PANEL UNTIL CRXXXXXX1
	R11202380	1	COVER PANEL FROM CRXXXXXX2
11	R11402980	2	DRAINAGE PIPE PROTECTION
12	R58003100	2	FAN GUARD FASTENING SCREW
13	R70044110	1	FRONT GASKET

POS.	CODE	PIECES	DESCRIPTION
14	R75300090	1	FAN GUARD GRID Ø 350
15	R11201780	1	REMOVABLE RACK DX
16	R11201790	1	REMOVABLE RACK SX



POS.	CODE	PIECES	DESCRIPTION
1	R11101370	1	DOOR UNTIL CRXXXXX1
	R11101440	1	DOOR FROM CRXXXXX2
2	R11207360	1	INNER DOOR PANEL UNTIL CRXXXXX1
	R11202160	1	INNER DOOR PANEL FROM CRXXXXX2
3	R11100140	1	INNER DOOR GLASS
4	R69180000	1	DOOR DRIP TRAY DRAINAGE
5	R58001760	2	INNER GLASS SOLID HINGE
6	R58001770	2	INNER GLASS HINGE PIN
7	R58001780	2	INNER GLASS CATCH KIT
8	R11401340	1	TOP "C" PROFILE
9	R11401360	1	LOWER "C" PROFILE
10	R11207250	1	LOWER DOOR HINGE UNTIL CRXXXXX1
	R11207240	1	LOWER DOOR HINGE FROM CRXXXXX2
11	R58002520	1	LOWER HINGE PIN UNTIL CRXXXXX1
	R58002670	1	LOWER HINGE PIN FROM CRXXXXX2
12	R11200560	1	UPPER DOOR HINGE
13	R58002150	1	HINGE PIN
14	R58004050	2	NUT FOR UPPER DOOR HINGE
15	R10401710	1	WASHER FOR UPPER DOOR HINGE

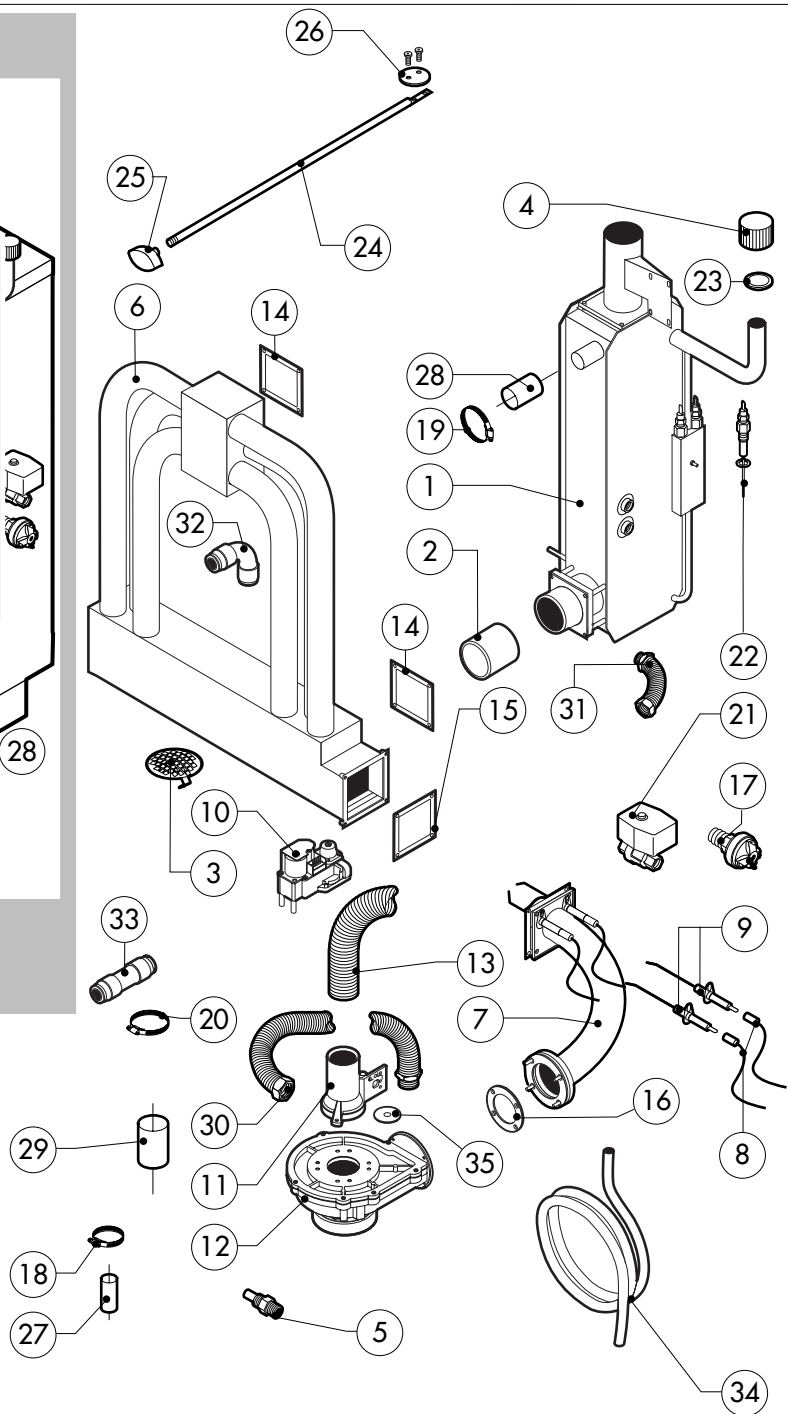
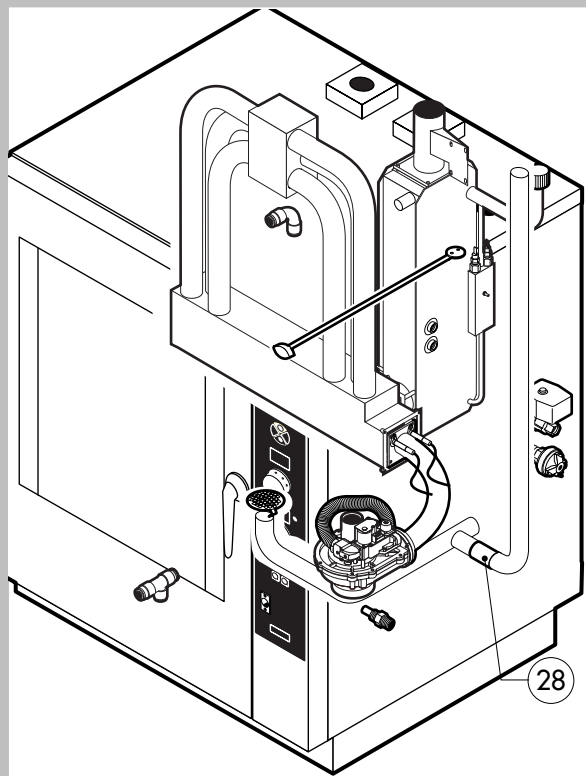
POS.	CODE	PIECES	DESCRIPTION
16	R70050100	6	GLASS SILICON SPACERS
17	R70044150	1	GLASS GASKET
18	R66110320	1	DOOR LAMPS CABLE SET
19	R11401440	2	LAMP COVER
20	R71500150	2	GLASS LAMP
21	R70044200	2	LAMP GASKET
22	R11401450	2	GLASS HOLDER LAMP FLANGE
23	R65270020	2	LIGHT 20W 12V G4
24	R65270450	2	LIGHT SOCKET
25	R65260750	1	LAMPS CONTACT BLOCK
26	R66110320	1	LAMPS CONTACT CABLE SET
27	R11100300	1	DOOR HANDLE ASSEMBLY
28	R69010260	1	DOOR LATCH 1 STEP
29	R69010270	1	DOOR LATCH 2 STEP
30	R69010250	1	DOOR CATCH KIT
31	R69010630	1	INNER DOOR CATCH PLASTIC COVER
32	R61620132	1	PRONG FLANGE



POS.	CODE	PIECES	DESCRIPTION
1	R58003840	1	MOTOR GASKET BRASS FLANGE
2	R58003850	1	MOTOR GASKET BRASS COUNTER FLANGE
3	R58004000	1	FAN SCREW M12x1.5 SX
4	R58004010	1	FAN WASHER Ø 30/12.5
5	R61020562	1	FAN SCREW TE A2 M6x55
6	*R65040550	1	MOTOR KW 055 F1 4P 200-240V KIT
7	R65060050	2	COMPONENTS VENTILATION MOTOR Ø 120
8	R65070350	1	CHAMBER SAFETY THERMOSTAT
9	R65070081	1	STEAM GENERATOR SAFETY THERMOSTAT
10	R65090240	1	DRAIN MOTOR
11	R65110200	1	SOLENOID VALVE 220V 50HZ
12	R65110210	1	SOLENOID VALVE 220V 50HZ WITH FLOW REDUCER
13	R65110510	1	15 LT/H WATER FLOW REDUCER
14	R63060120	1	BURNER IGNITION PANEL
15	R63130020	1	GAS BURNER FAN MOTOR PCBOARD
16	*R65140380	2	CONTACTOR 3RT1016-1AP02 240V
17	*R65160590	1	THERMIC PROTECTION 3RU1116-1EB0 2,8-4,0A
18	R65180770	1	TRANSFORMER 50VA
19	R65180430	1	TRANSFORMER 40VA
20	R65200200	1	FUSE 2A
21	R65200120	1	FUSE 1A
22	R65200040	1	FUSE 0.500A (T)

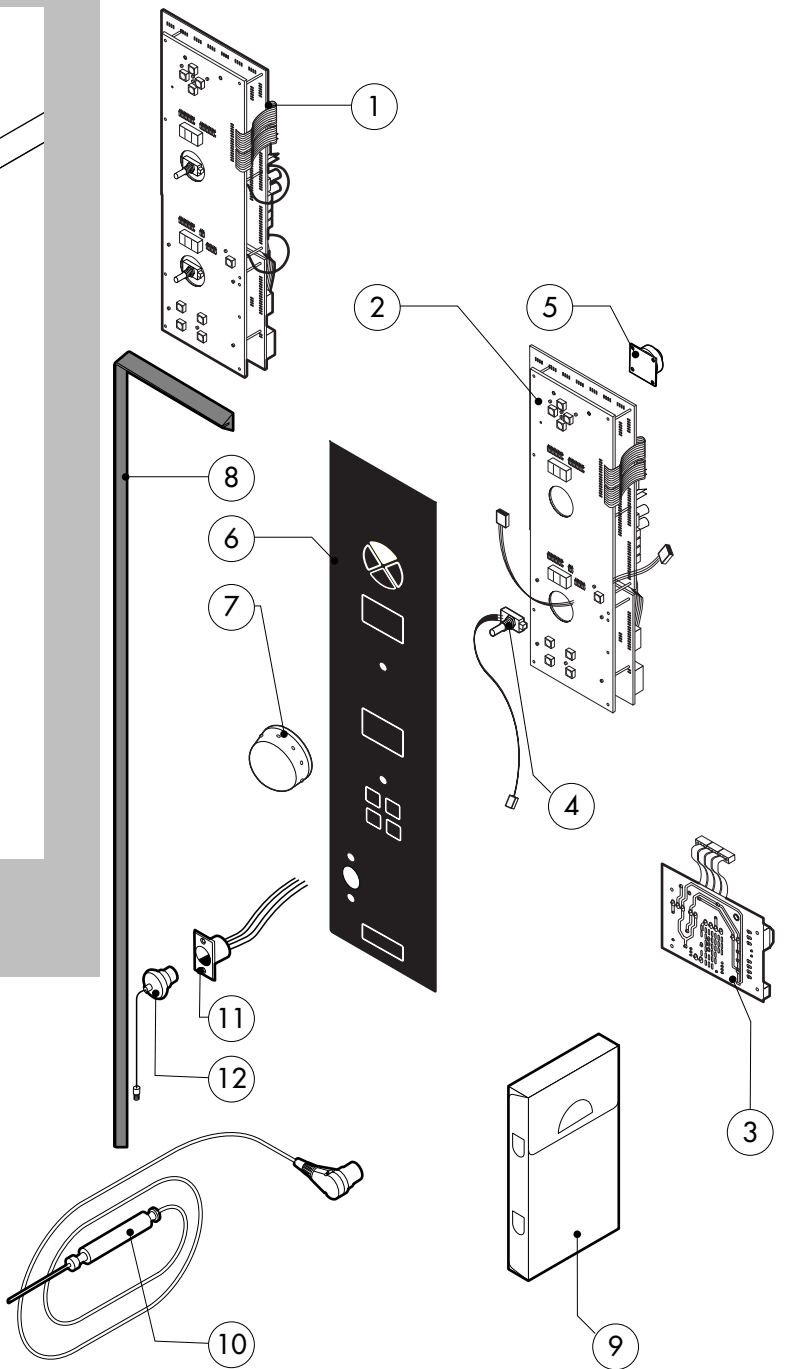
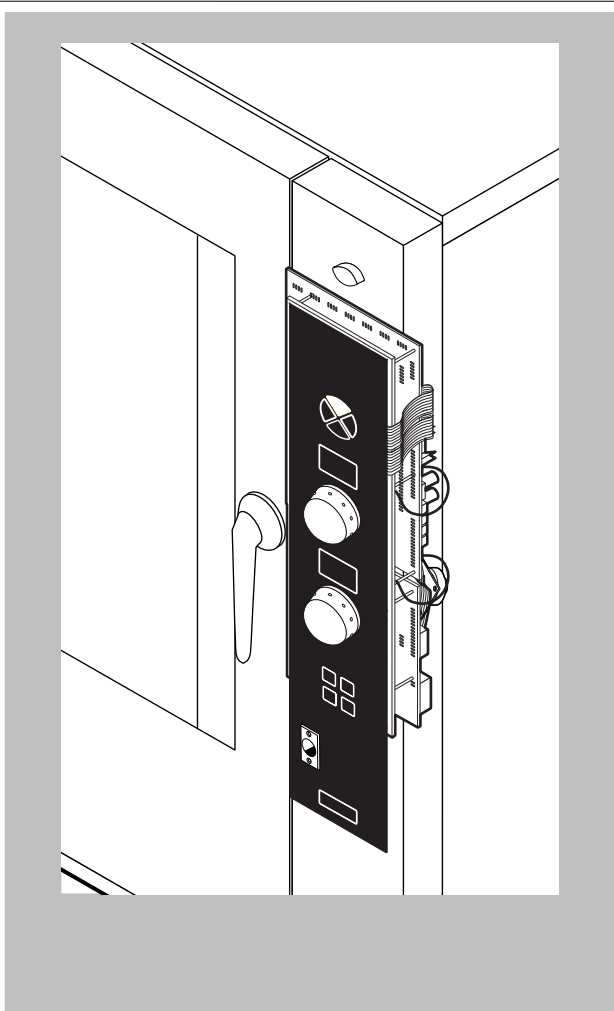
POS.	CODE	PIECES	DESCRIPTION
23	R65200090	1	FUSE 0.25 A(T)
24	R65200140	1	FUSE 0.1A
25	R65210020	5	FUSE CARRIER
26	R65220220	1	TERMINAL BOARD
27	*R65280210	1	INTERFERENCE SUPPRESSOR
28	*R65280450	1	FERRITE
29	R65325000	3	PROBE PT100
30	R70020050	1	MOTOR GASKET
31	*R75400440	1	FAN Ø 350x114/12 50HZ P.D. KIT
32	*R65190050	1	CAPACITOR 20 µF
33	R11402840	2	SMOKES OUTLET PLATE
34	R61660000	1	CARDAN JOINT
35	R65265100	1	DOOR SWITCH

*COMPONENT SUBMITTED TO CHANGEMENTS CAUSED BY TENSION DIFFERENT FROM THE STANDARD (AC 230V 50HZ)



POS.	CODE	PIECES	DESCRIPTION
1	R11100370	1	STEAM GENERATOR ASSEMBLY
2	R70080010	1	CERAMIC PROTECTION TUBE
3	R10201700	1	DRAIN FILTER
4	R58005680	1	STEAM GENERATOR DESCALING CAP 1"1/4 F
5	R58006130	1	STEAM QUENCHING NOZZLE Ø 1
6	R11202401	1	HEAT EXCHANGER ACCESSORIES INCLUDED
7	R11202480	1	BURNER ASSEMBLY
8	R66110370	1	FLAME IGNITION CABLE/FLAME SENSOR CABLE
9	R63050100	2	IGNITOR
10	R63020170	1	GAS SOLENOID VALVE
11	R63120010	1	VENTURI TUBE
12	R63130010	1	GAS BURNER FAN MOTOR
13	R77700046	1	AIR INLET FLEXIBLE PIPE
14	R63140020	4	STEAM GENERATOR/HEAT EXCHANGER GASKET
15	R63140060	2	BURNER/HEAT EXCHANGER GASKET
16	R63140050	1	BURNER/FAN MOTOR GASKET
17	R63070010	1	GAS SAFETY PRESSURE SWITCH PG 901.61
18	R61630011	2	METAL CLAMPS 12-22/9
19	R61630021	2	METAL CLAMPS 30-45/9

POS.	CODE	PIECES	DESCRIPTION
20	R61630100	2	METAL CLAMPS 32-44/12
21	R65110560	1	STEAM GENERATOR DRAIN MOTORIZED VALVE
22	R65320010	2	STEAM GENERATOR LEVEL PROBE
23	R70050040	1	STEAM GENERATOR CAP GASKET
24	R58003750	1	CHAMBER VENT ROD
25	R69010410	1	STEAM OUTLET KNOB
26	R04403460	1	CHAMBER VENT PLATE Ø 46
27	R70060080	1	SILICON COUPLING Ø 13
28	R70060010	1	SILICON COUPLING Ø 30
29	R70060030	1	SILICON COUPLING Ø 40
30	R62180082	1	GAS INLET FLEXIBLE PIPE
31	R62180022	1	FLEXIBLE PIPE FOR BOILER DESCALING
32	R62090478	5	ELBOW MIDDLING PIPE FITTING D.10
33	R62090458	1	STRAIGHT MIDDLING PIPE FITTING D.10
34	R70070050	1	PE D.10 MM X7 WATER FLEXIBLE PIPE (3 MT LONG)
35	R58004190	1	ORIFICE



POS.	CODE	PIECES	DESCRIPTION
1	R65301310	1	CONTROL PANEL P.C. BOARD
2	R65301320	1	RELAY PC BOARD "D" MOD
3	R65301480	1	BOILER CONTROL PC BOARD "H-P" MOD
4	R65301450	2	FRONT PC BOARD ENCODER
5	R65301440	1	PC BOARD BUZZER
6	R67012890	1	LAINOX PLATE
7	R69030260	2	KNOB
8	R70044260	1	CONTROL PANEL GASKET
9	R86020420	1	CORE TEMPERATURE PROBE BOX
10	R65321120	1	CORE TEMPERATURE PROBE
11	R65320920	1	CORE TEMPERATURE PROBE FEMALE CONNECTOR
12	R65321020	1	COVER FOR FEMALE CONNECTOR

POS.	CODE	PIECES	DESCRIPTION