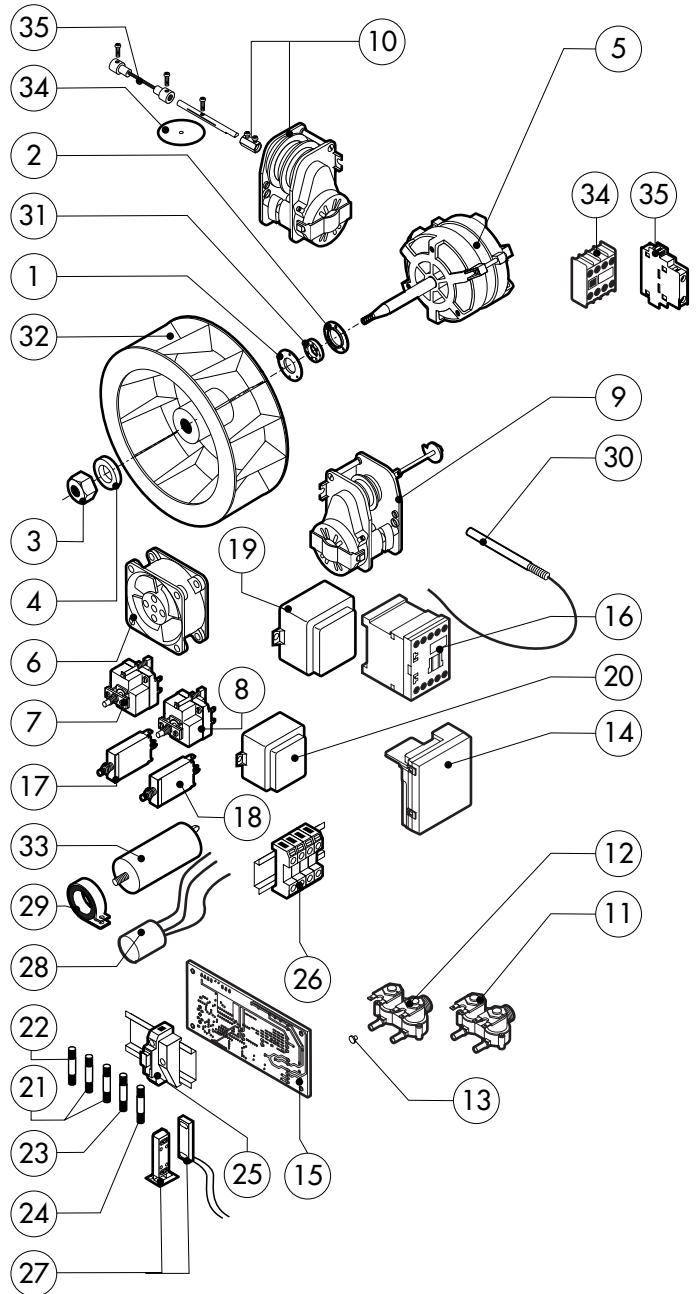
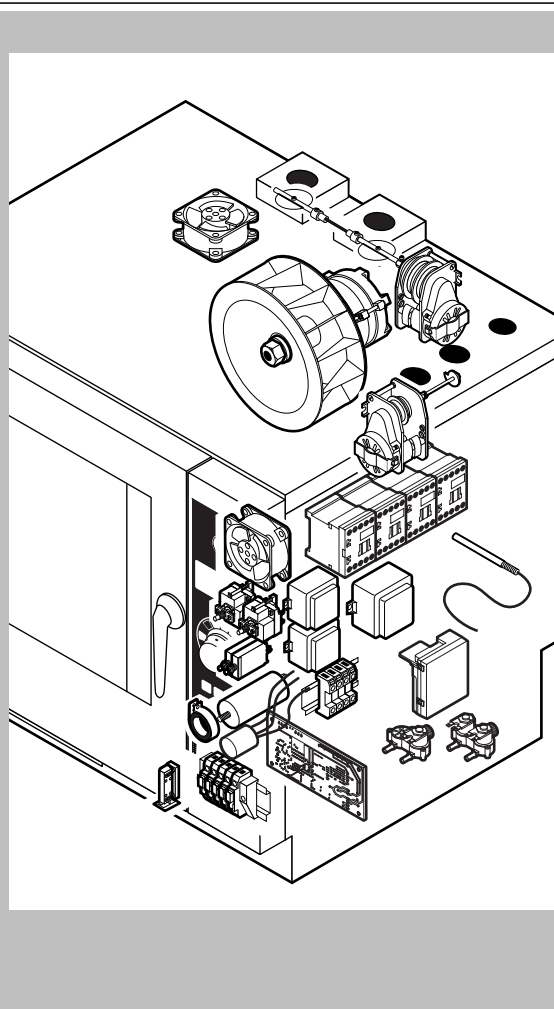


POS.	CODE	PIECES	DESCRIPTION
1	R11100160	1	DOOR UNTIL CRXXXXXX3
	R11101420	1	DOOR FROM CRXXXXXX4
2	R11200510	1	INNER DOOR PANEL UNTIL CRXXXXXX3
	R11200690	1	INNER DOOR PANEL FROM CRXXXXXX4
3	R11100130	1	INNER DOOR GLASS
4	R11200520	1	DOOR DRIP TRAY DRAINAGE
5	R58001760	2	INNER GLASS SOLID HINGE
6	R58001770	2	INNER GLASS HINGE PIN
7	R58001780	2	INNER GLASS CATCH KIT
8	R11401340	1	TOP "C" PROFILE
9	R11401360	1	LOWER "C" PROFILE
10	R11200550	1	LOWER DOOR HINGE UNTIL CRXXXXXX1
	R11200551	1	LOWER DOOR HINGE UNTIL CRXXXXXX2
	R11207240	1	LOWER DOOR HINGE FROM CRXXXXXX4
11	R58002670	1	LOWER HINGE PIN
12	R11200560	1	UPPER DOOR HINGE
13	R58002150	2	HINGE PIN
14	R58004050	1	NUT FOR UPPER DOOR HINGE
15	R10401710	1	WASHER FOR UPPER DOOR HINGE

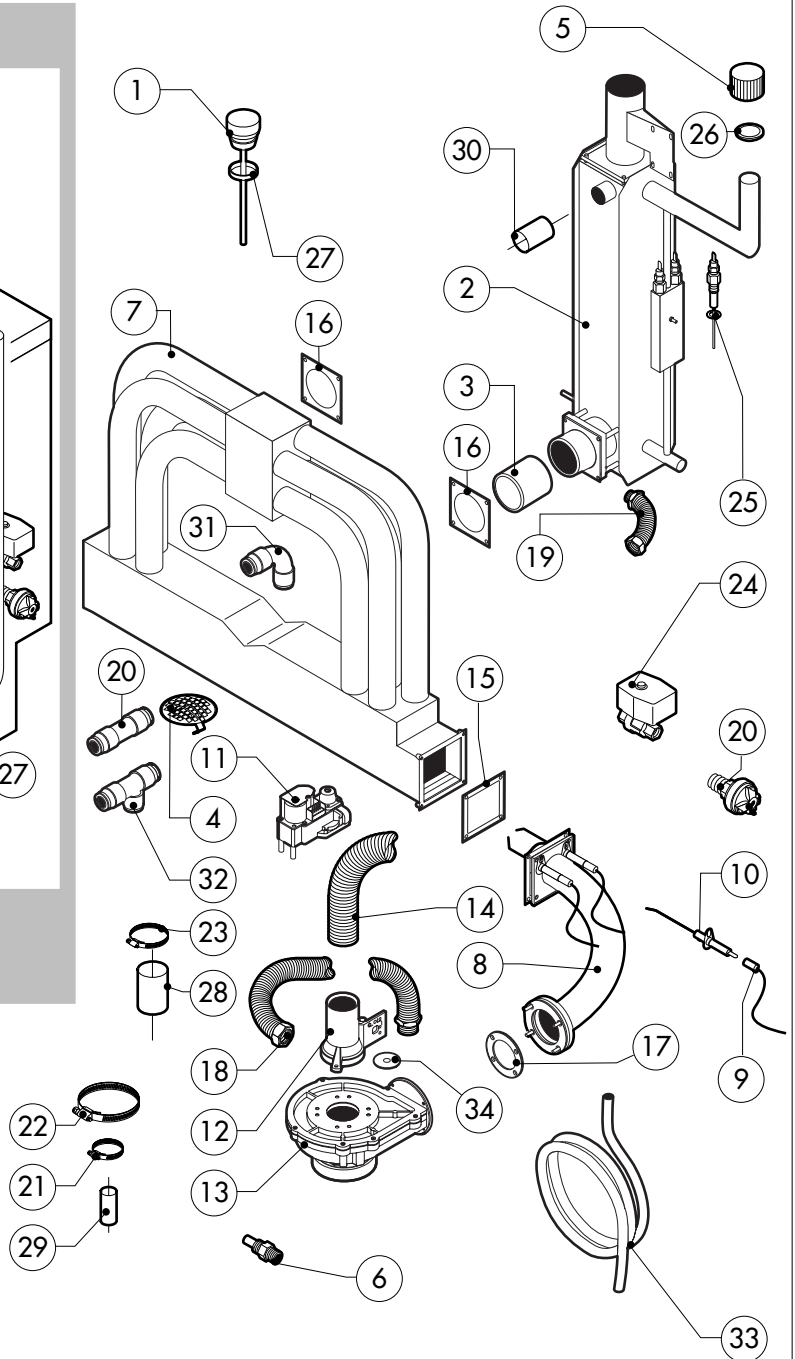
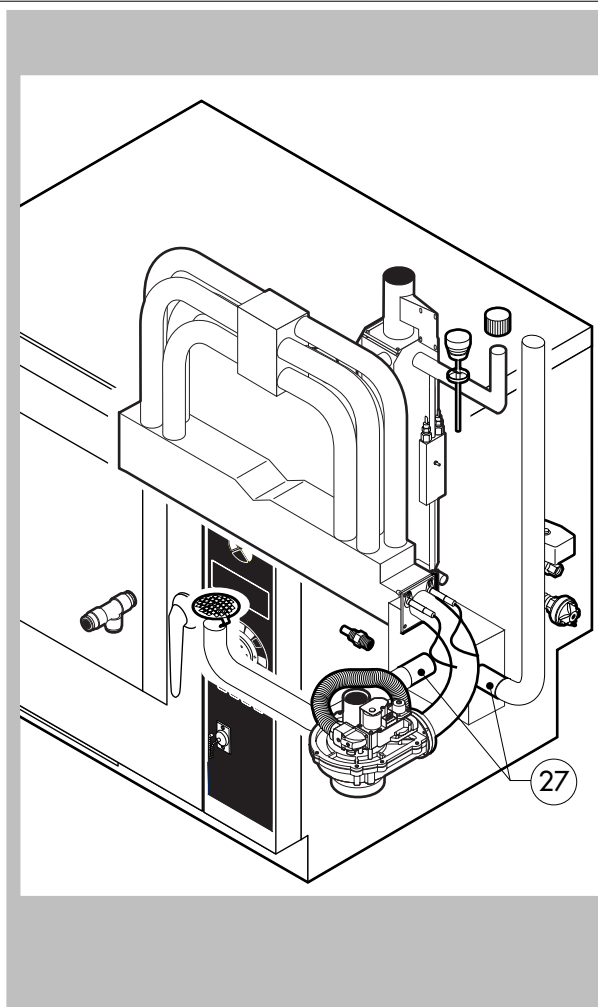
POS.	CODE	PIECES	DESCRIPTION
16	R70050100	6	GLASS SILICON SPACERS
17	R70044150	1	GLASS GASKET
18	R66110310	1	DOOR LAMPS CABLE SET
19	R11401440	1	LAMP COVER
20	R71500150	1	GLASS LAMP
21	R70044200	1	LAMP GASKET
22	R11401450	1	GLASS HOLDER LAMP FLANGE
23	R65270020	1	LIGHT 20W 12V G4
24	R65270450	1	LIGHT SOCKET
25	R65260750	1	LAMPS CONTACT BLOCK
26	R66110300	1	LAMPS CONTACT CABLE SET
27	R11100300	1	DOOR HANDLE ASSEMBLY
28	R69010260	1	DOOR LATCH 1 STEP
29	R69010270	1	DOOR LATCH 2 STEP
30	R69010250	1	DOOR CATCH KIT
31	R69010630	1	INNER DOOR CATCH PLASTIC COVER
32	R61620132	1	PRONG FLANGE



POS.	CODE	PIECES	DESCRIPTION
1	R58003860	1	MOTOR GASKET BRASS FLANGE
2	R58003870	1	MOTOR GASKET BRASS COUNTER FLANGE
3	R58004020	1	FAN SECURITY NUT M10 SX
4	R61400052	1	FAN WASHER Ø 21/10.5
5	*R65040431	1	MOTOR 025/005 KW KIT
6	R65060050	2	COMPONENTS VENTILATION MOTOR Ø 120
7	R65070350	1	CHAMBER SAFETY THERMOSTAT
8	R65070081	1	STEAM GENERATOR SAFETY THERMOSTAT
9	R65095000	1	DAMPER SYSTEM
10	R65090240	1	DRAIN MOTOR
11	R65110210	1	SOLENOID VALVE 220V 50HZ
12	R65110230	1	SOLENOID VALVE 220V 50HZ WITH FLOW REDUCER
13	R65110500	1	10 LT/H WATER FLOW REDUCER
14	R63060120	1	BURNER IGNITION PANEL
15	R63130020	1	GAS BURNER FAN MOTOR PCBOARD
16	*R65140380	4	CONTACTOR 3RT1016-1AP02 240V
17	*R65160300	1	THERMIC PROTECTION T12-211S-0.8A
18	*R65160320	1	THERMIC PROTECTION T12-211S-2A
19	R65180770	1	TRANSFORMER 50VA

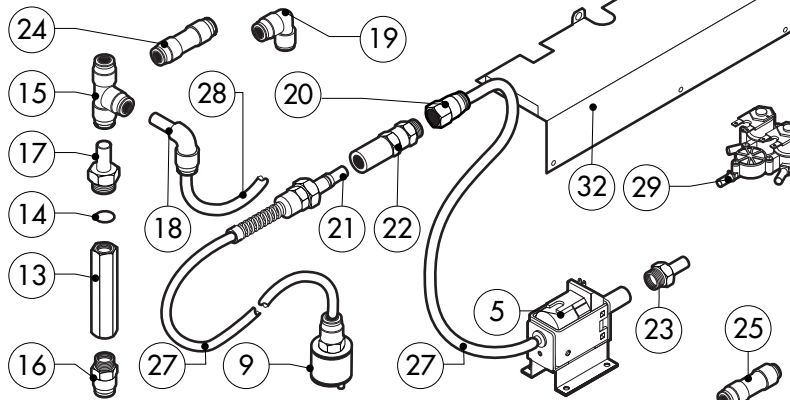
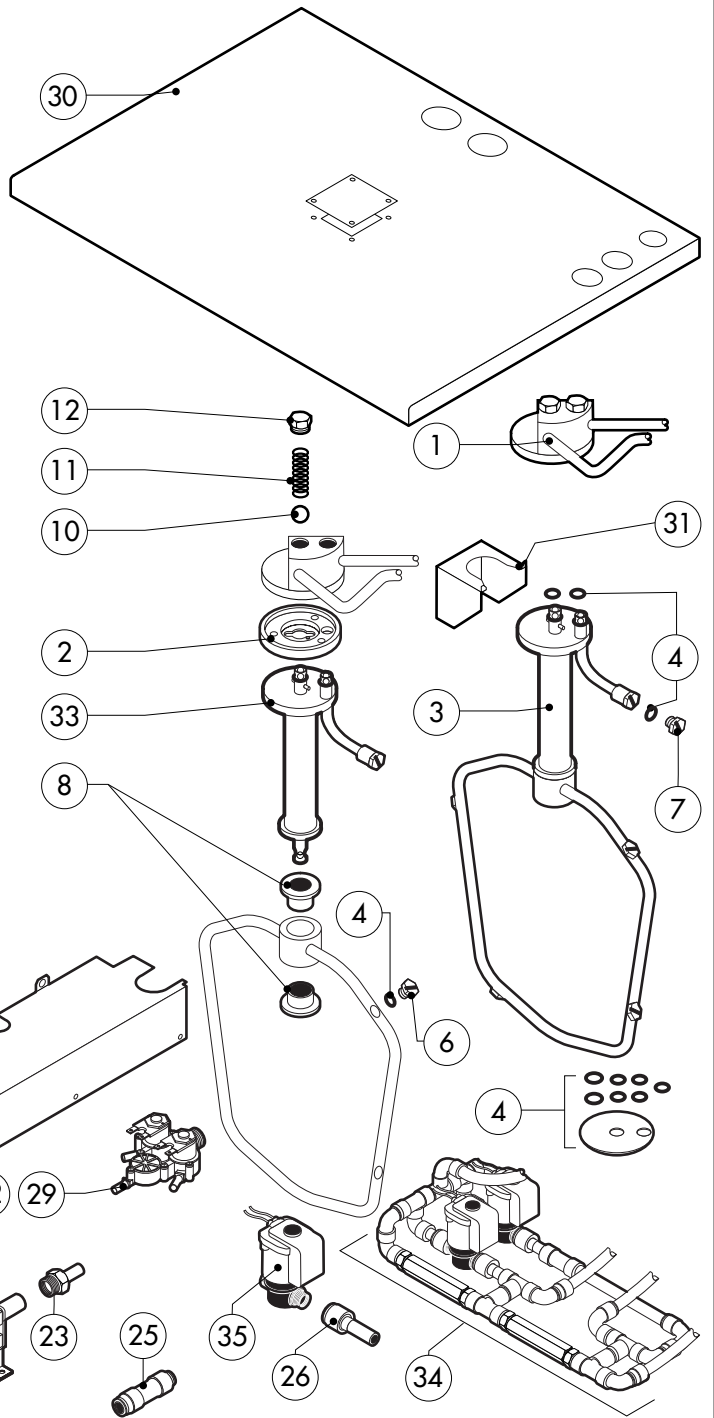
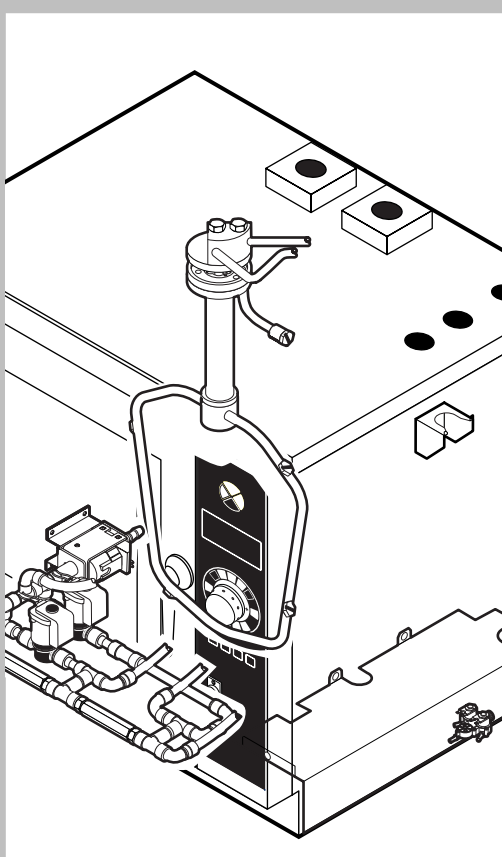
POS.	CODE	PIECES	DESCRIPTION
20	R65180420	2	TRANSFORMER 20VA
21	R65200086	2	FUSE 0.125A (T)
22	R65200200	1	FUSE 2A
23	R65200120	1	FUSE 1A
24	R65200040	1	FUSE 0.500A (T)
25	R65210020	5	FUSE CARRIER
26	R65220220	1	TERMINAL BOARD
27	R65265100	1	DOOR SWITCH
28	*R65280210	1	INTERFERENCE SUPPRESSOR
29	*R65280450	1	FERRITE
30	R65325000	3	PROBE PT100
31	R70020040	1	MOTOR GASKET
32	*R75400400	1	FAN Ø 220x78/12 50HZ P.D. KIT
33	*R65190180	1	CAPACITOR 10 µF
34	R11402840	2	SMOKES OUTKET PLATE
35	R61660000	1	CARDAN JOINT

*COMPONENT SUBMITTED TO CHANGEMENTS CAUSED BY TENSION DIFFERENT FROM THE STANDARD (AC 230V 50HZ)



POS.	CODE	PIECES	DESCRIPTION
1	R10100140	1	DAMPER SYSTEM CAP
2	R11100350	1	STEAM GENERATOR ASSEMBLY
3	R70080000	1	CERAMIC PROTECTION TUBE
4	R10201700	1	DRAIN FILTER
5	R58005680	1	STEAM GENERATOR DESCALING CAP 1"1/4 F
6	R58006130	2	STEAM QUENCHING NOZZLE Ø 1
7	R11201151	1	HEAT EXCHANGER ACCESSORIES INCLUDED
8	R11201260	1	BURNER ASSEMBLY
9	R66110370	1	FLAME IGNITION CABLE/FLAME SENSOR CABLE
10	R63050070	2	IGNITOR
11	R63020170	1	GAS SOLENOID VALVE
12	R63120020	1	VENTURI TUBE
13	R63130010	1	GAS BURNER FAN MOTOR
14	R77700046	1	AIR INLET FLEXIBLE PIPE
15	R63140000	2	BURNER/HEAT EXCHANGER GASKET
16	R63140010	4	BOILER/HEAT EXCHANGER GASKET
17	R63140050	1	BURNER/FAN MOTOR GASKET
18	R62180082	1	GAS INLET FLEXIBLE PIPE
19	R62180022	1	FLEXIBLE PIPE FOR BOILER DISCALING

POS.	CODE	PIECES	DESCRIPTION
20	R63070010	1	GAS SAFETY PRESSURE SWITCH PG 901.61
21	R61630011	2	METAL CLAMPS 12-22/9
22	R61630100	2	METAL CLAMPS 32-44/12
23	R61630031	4	METAL CLAMPS 40-60/9
24	R65110560	1	STEAM GENERATOR DRAIN MOTORIZED VALVE
25	R65320010	2	STEAM GENERATOR LEVEL PROBE
26	R70050040	1	STEAM GENERATOR CAP GASKET
27	R70060020	1	DAMPER SYSTEM CAP GASKET
28	R70060040	2	SILICON COUPLING Ø 50
29	R70060080	1	SILICON COUPLING Ø 13
30	R70060030	1	SILICON COUPLING Ø 40
31	R62090478	7	ELBOW MIDDLING PIPE FITTING D.10
32	R62090468	1	"T" MIDDLING PIPE FITTING D.10
33	R70070050	1	PE D.10 MM X7 WATER FLEXIBLE PIPE (3 MT LONG)
34	R58004180	1	ORIFICE (FOR VERSION LIQUID GAS)



POS.	CODE	PIECES	DESCRIPTION
1	R11200870	1	WASHING SYSTEM EXTERNAL ASSEMBLY - UNTIL №2904
	R11200871	1	WASHING SYSTEM EXTERNAL ASSEMBLY - FROM №3004
2	R58004960	1	WASHING SYSTEM INNER FLANGE
3	R11100500	1	WASHING DEVICE ASSEMBLY
4	R70045090	1	GASKETS KIT
5	R65110600	1	DETRGENT PUMP
6	R62210032	4	1,3 L/MIN RINSING JET
7	R62210042	1	0,56 L/MIN DETERGENT JET
8	R58004980	2	WASHING DEVICE ROTATION BUSH
9	R65110650	1	BOTTOM FILTER
10	R62220012	2	SPHERA D.14
11	R61620041	2	SPRING
12	R58005000	2	1/2" MALE COVER
13	R65110640	2	ANTI-BACK FLOW
14	R70010050	4	OR GASKETS
15	R62090468	5	1" MIDLING PIPE FITTING D.10
16	R62090508	1	10X1/4 STRAIGHT THREADED TERMINAL PIPE FITTING
17	R62090518	3	10X1/4 END SIDE PIPE FITTING (WITH TANG)
18	R62090528	10	ELBOW PIPE FITTING (WITH TANG) 10 X 10

POS.	CODE	PIECES	DESCRIPTION
19	R62090478	4	ELBOW MIDLING PIPE FITTING D.10
20	R62090538	1	1/4" FEMALE STRAIGHT PIPE FITTING FOR D.8X6 PIPE
21	R62090482	1	RAPID MALE PIPE FITTING
22	R62090492	1	RAPID FEMALE PIPE FITTING
23	R62090608	1	8X1/8 END SIDE PIPE FITTING (WITH TANG)
24	R62090458	1	STRAIGHT MIDLING PIPE FITTING D.10
25	R62090618	1	10-8 REDUCTION PIPE FITTING
26	R62090548	4	10-6 REDUCTION PIPE FITTING
27	R70070100	1	PE D.8 MM X 6 DETERGENT FLEXIBLE PIPE
28	R70070050	1	PE D.10 MM X7 WATER FLEXIBLE PIPE (3 MT LONG)
29	R65110240	1	SOLENOID VALVE 220V 50HZ WITH FLOW REDUCER
30	R11201100	1	COVER PANEL
31	R11402000	1	WASHING DEVICE EXTERNAL HOLDER
32	R11400680	1	PROTECTION PLATE
33	R11100560	1	TUBE DEVICE SUPPORT WASHING
34	R62300018	1	ANTI-BACK FLOW DEVICE ASSEMBLY - UNTIL №2904
	R62300028	1	ANTI-BACK FLOW DEVICE ASSEMBLY - FROM №3004
35	R65110260	2	SOLENOID VALVE D.6 220V 50HZ - FROM №3004