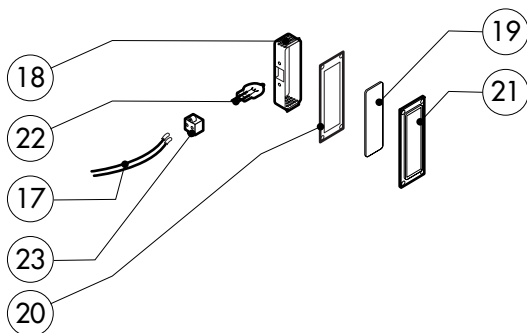
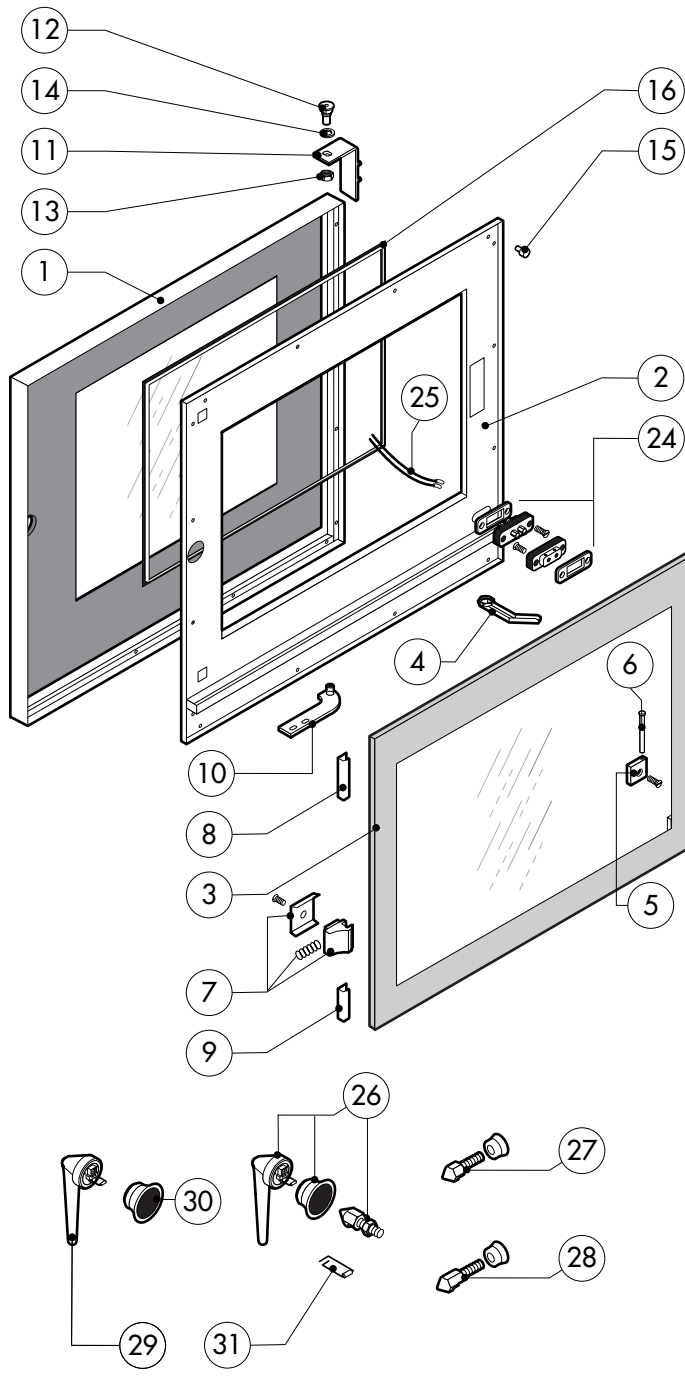
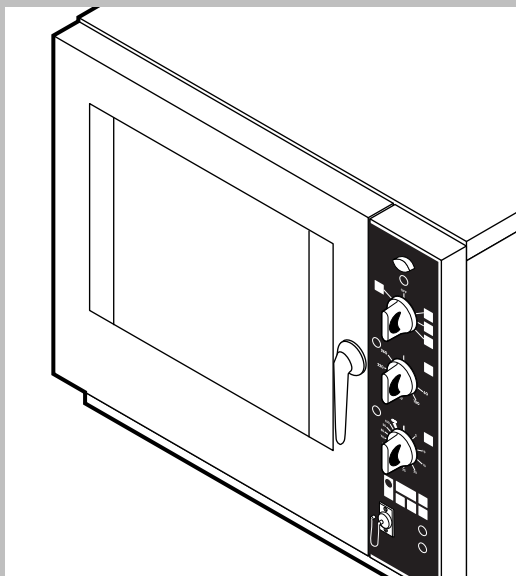


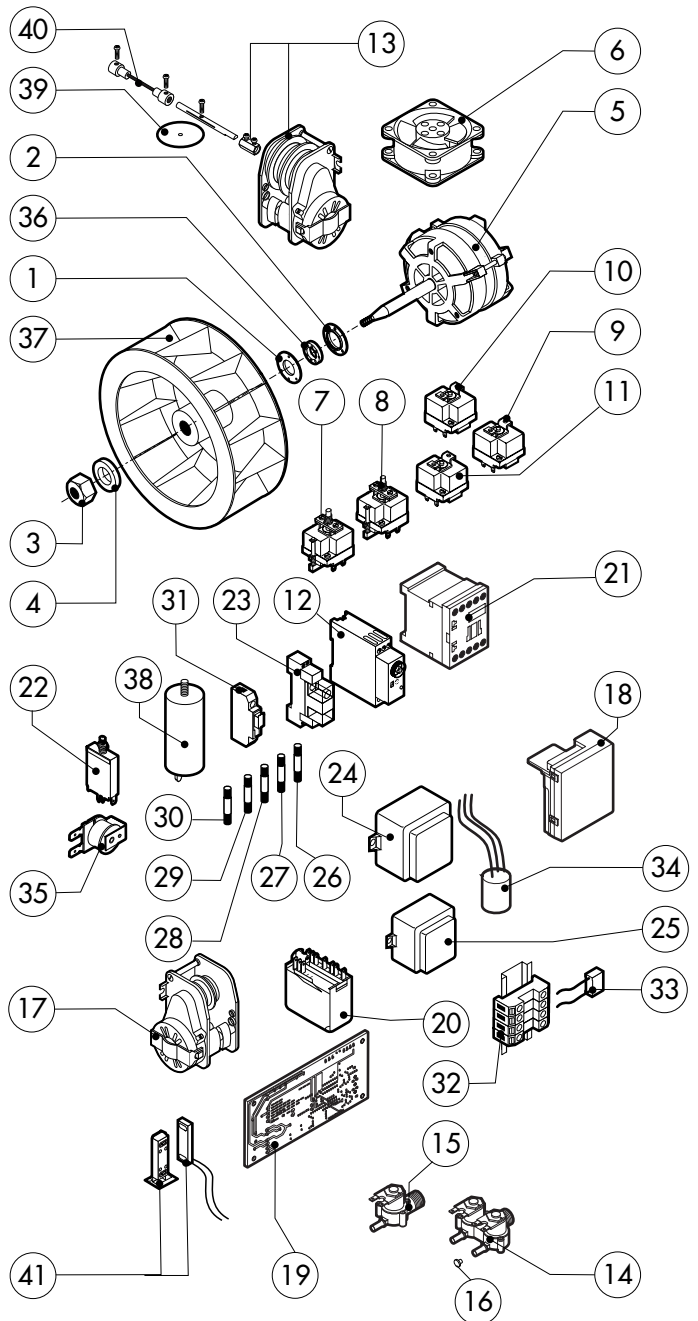
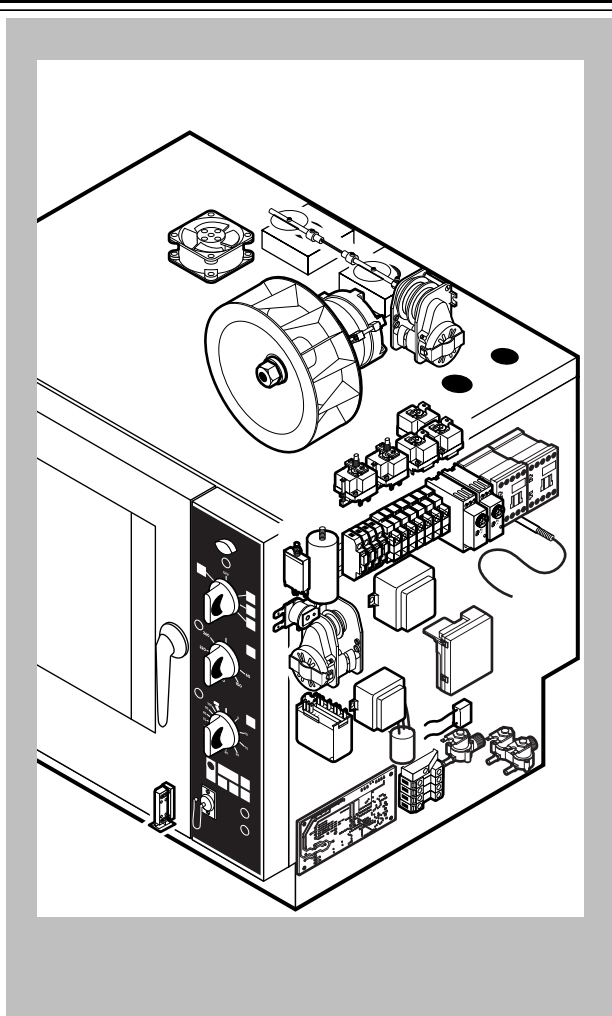
POS.	CODE	PIECES	DESCRIPTION
1	R11100100	1	DOOR ASSEMBLY
2	R11200740	1	CONTROL PANEL
3	R11200650	1	SPRITZER EXTENSION
4	R11200380	1	SPRITZER UNION
5	R11201000	1	COOKING CABINET ASSEMBLY
6	R11200350	1	FAN GUARD PANEL ASSEMBLY
7	R11200330	1	RIGHT SIDE PANEL
8	R11200340	1	LEFT SIDE PANEL
9	R11400950	1	REAR PANEL
10	R11201110	1	COVER PANEL
11	R11402980	2	DRAINAGE PIPE PROTECTION
12	R58003100	2	FAN GUARD FASTENING SCREW
13	R70044100	1	FRONT GASKET
14	R75300030	1	FAN GUARD GRID Ø 190
15	R11200420	1	REMOVABLE RACK DX
16	R11200430	1	REMOVABLE RACK SX

POS.	CODE	PIECES	DESCRIPTION



POS.	CODE	PIECES	DESCRIPTION
1	R11100160	1	DOOR
2	R11200510	1	INNER DOOR PANEL
3	R11100130	1	INNER DOOR GLASS
4	R11200520	1	DOOR DRIP TRAY DRAINAGE
5	R58001760	2	INNER GLASS SOLID HINGE
6	R58001770	2	INNER GLASS HINGE PIN
7	R58001780	2	INNER GLASS CATCH KIT
8	R11401340	1	TOP "C" PROFILE
9	R11401360	1	LOWER "C" PROFILE
10	R11200550	1	LOWER DOOR HINGE - UNTIL N°3503CRXXXXX1
	R11200551	1	LOWER DOOR HINGE - FROM N°3603CRXXXXX2
11	R11200560	1	UPPER DOOR HINGE
12	R58002150	1	HINGE PIN
13	R58004050	1	NUT FOR UPPER DOOR HINGE
14	R10401710	1	WASHER FOR UPPER DOOR HINGE
15	R70050100	6	GLASS SILICON SPACERS
16	R70044150	1	GLASS GASKET
17	R66110310	1	DOOR LAMPS CABLE SET
18	R11401440	1	LAMP COVER

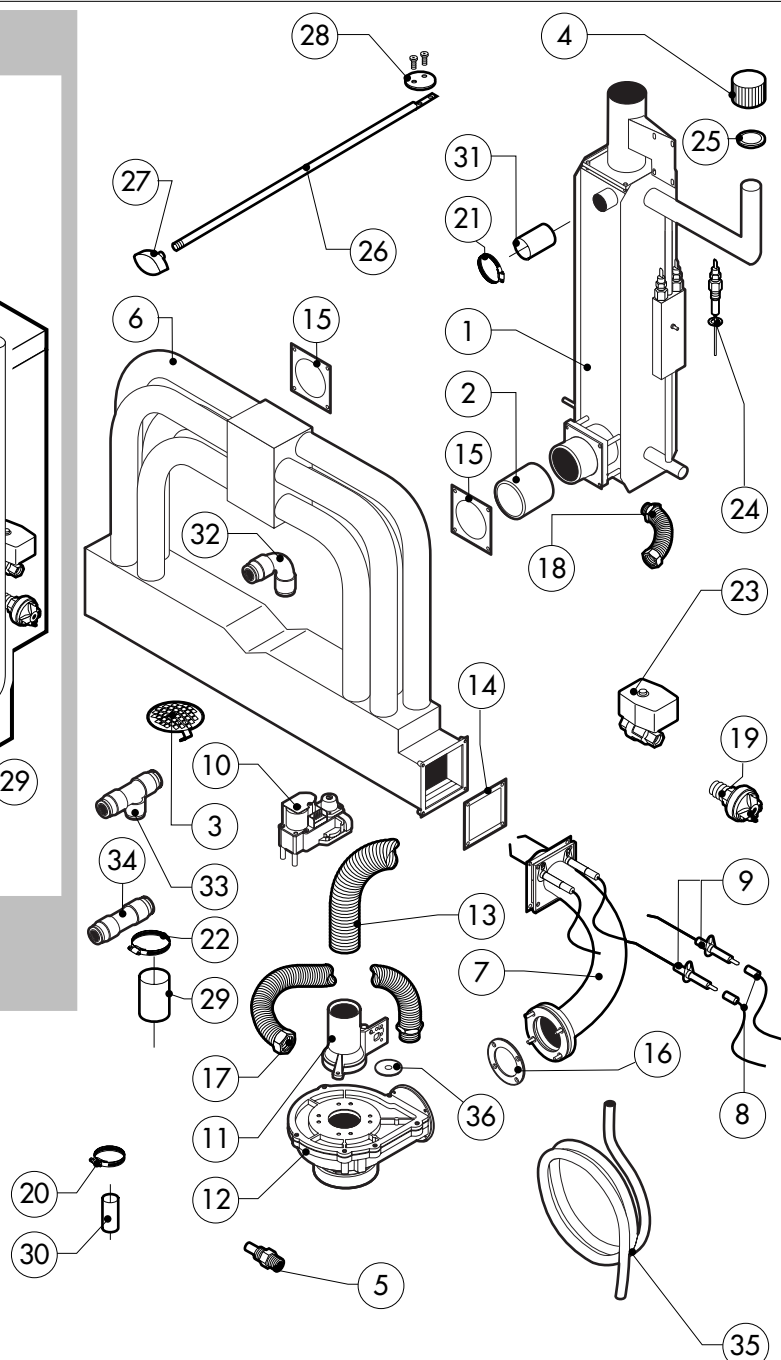
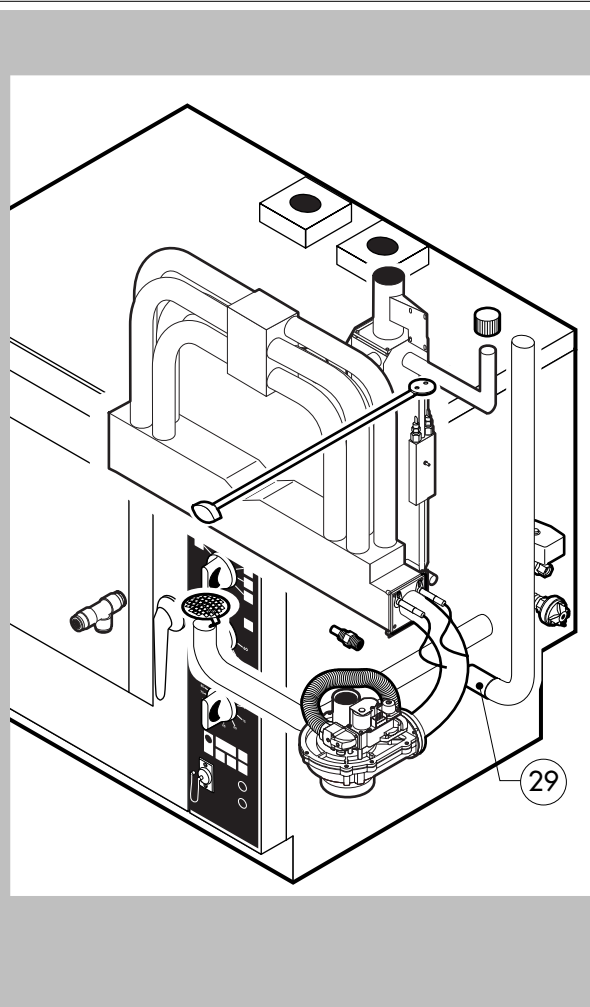
POS.	CODE	PIECES	DESCRIPTION
19	R71500150	1	GLASS LAMP
20	R70044200	1	LAMP GASKET
21	R11401450	1	GLASS HOLDER LAMP FLANGE
22	R65270020	1	LIGHT 20W 12V G4
23	R65270450	1	LIGHT SOCKET
24	R65260750	1	LAMPS CONTACT BLOCK
25	R66110300	1	LAMPS CONTACT CABLE SET
26	R11100300	1	DOOR HANDLE ASSEMBLY
27	R69010260	1	DOOR LATCH 1 STEP
28	R69010270	1	DOOR LATCH 2 STEP
29	R69010250	1	DOOR CATCH KIT
30	R69010630	1	INNER DOOR CATCH PLASTIC COVER
31	R61620132	1	PRONG FLANGE



POS.	CODE	PIECES	DESCRIPTION
1	R58003860	1	MOTOR GASKET BRASS FLANGE
2	R58003870	1	MOTOR GASKET BRASS COUNTER FLANGE
3	R58004020	1	FAN SECURITY NUT M10 SX
4	R61400052	1	FAN WASHER Ø 21/10.5
5	*R65040421	1	MOTOR KW 025 2P 220-240V KIT
6	R65060050	1	COMPONENTS VENTILATION MOTOR Ø 120
7	R65070350	1	CHAMBER SAFETY THERMOSTAT
8	R65070081	1	STEAM GENERATOR SAFETY THERMOSTAT
9	R65070100	1	THERMOSTAT 55°C
10	R65070165	1	THERMOSTAT 65°C
11	R65070240	1	THERMOSTAT 70°C
12	R65090450	2	S.GENERATOR DRAIN TIMER
13	R65090240	1	DRAIN MOTOR
14	R65110210	1	SOLENOID VALVE 220V 50HZ WITH FLOW REDUCER
15	R65110200	1	SOLENOID VALVE 220V 50HZ
16	R65110510	1	15 LT/H WATER FLOW REDUCER
17	R65090190	1	REVERSING SWITCH 8'
18	R63060120	1	BURNER IGNITION PANEL
19	R63130020	1	GAS BURNER FAN MOTOR PCBOARD
20	R65120010	1	LEVEL REGULATOR
21	*R65140380	2	CONTACTOR 3RT1016-1AP02 240V

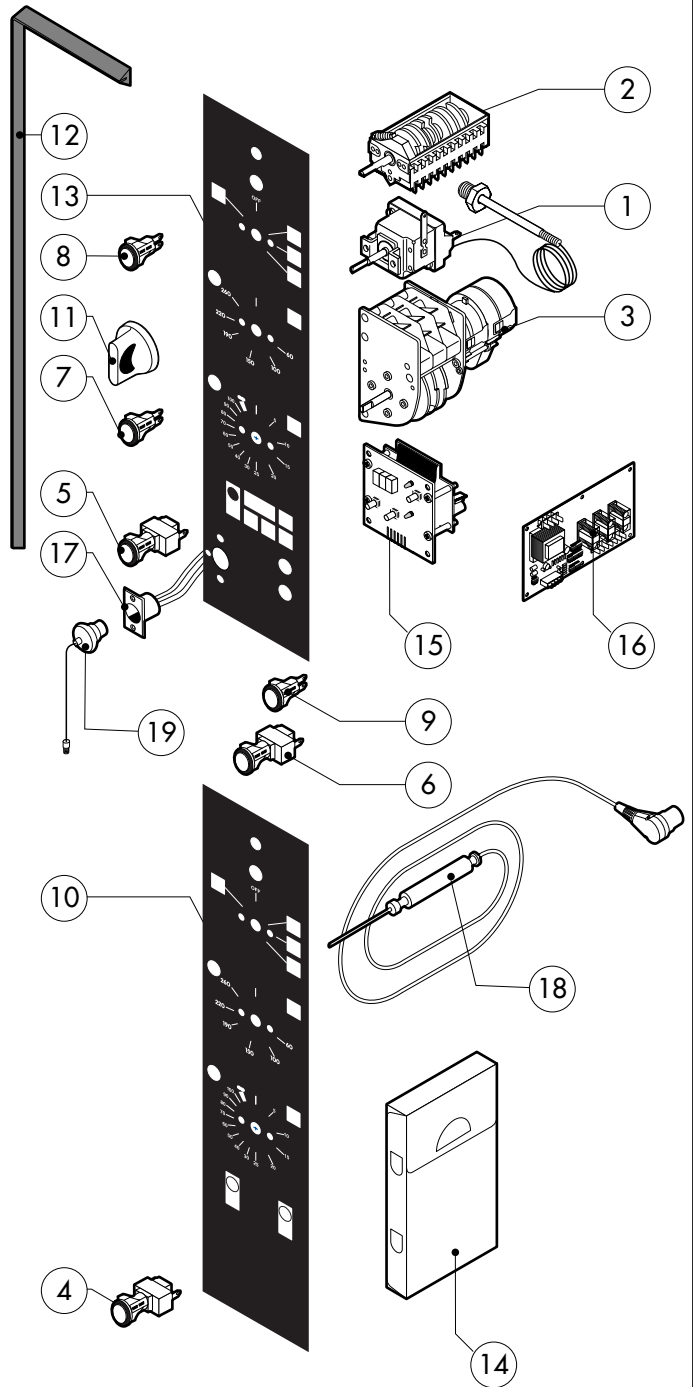
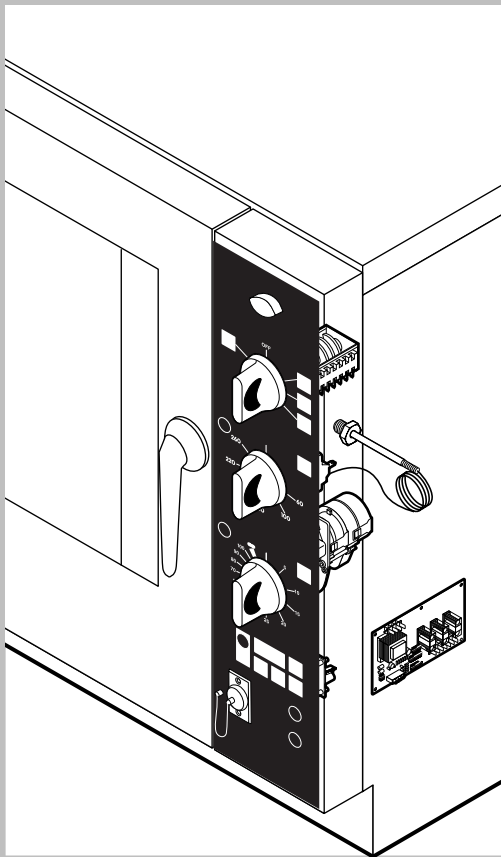
POS.	CODE	PIECES	DESCRIPTION
22	*R65160320	1	THERMIC PROTECTION T12-211S-2A
23	R65170050	7	RELAY 4052 240V AC 10A
24	R65180770	1	TRANSFORMER 50VA
25	R65180420	1	TRANSFORMER 20VA
26	R65200200	1	FUSE 2A
27	R65200120	1	FUSE 1A
28	R65200040	1	FUSE 0.500A (T)
29	R65200080	1	FUSE 0.125A (T)
30	R65200140	1	FUSE 0.1A
31	R65210020	5	FUSE CARRIER
32	R65220220	1	TERMINAL BOARD
33	*R65280130	1	INTERFERENCE SUPPRESSOR
34	*R65280210	1	INTERFERENCE SUPPRESSOR
35	R65330010	1	BUZZER
36	R70020040	1	MOTOR GASKET
37	*R75400400	1	FAN Ø 220x78/12 50HZ P.D. KIT
38	*R65190180	1	CAPACITOR 10 µF
39	R11402840	2	SMOKES OUTLET PLATE
40	R61660000	1	CARDAN JOINT
41	R65265100	1	DOOR SWITCH

*COMPONENT SUBMITTED TO CHANGEMENTS CAUSED BY TENSION DIFFERENT FROM THE STANDARD (AC 230V 50HZ)



POS.	CODE	PIECES	DESCRIPTION
1	R11100350	1	STEAM GENERATOR ASSEMBLY
2	R70080000	1	CERAMIC PROTECTION TUBE
3	R10201700	1	DRAIN FILTER
4	R58005680	1	STEAM GENERATOR DESCALING CAP 1"1/4 F
5	R58006130	2	STEAM QUENCHING NOZZLE Ø 1
6	R11201151	1	HEAT EXCHANGER ACCESSORIES INCLUDED
7	R11201260	1	BURNER ASSEMBLY
8	R66110370	1	FLAME IGNITION CABLE/FLAME SENSOR CABLE
9	R63050070	2	IGNITOR
10	R63020170	1	GAS SOLENOID VALVE
11	R63120020	1	VENTURI TUBE
12	R63130010	1	GAS BURNER FAN MOTOR
13	R77700046	1	AIR INLET FLEXIBLE PIPE
14	R63140000	2	BURNER/HEAT EXCHANGER GASKET
15	R63140010	4	BOILER/HEAT EXCHANGER GASKET
16	R63140050	1	BURNER/FAN MOTOR GASKET
17	R62180082	1	GAS INLET FLEXIBLE PIPE
18	R62180022	1	FLEXIBLE PIPE FOR BOILER DISCALING
19	R63070010	1	GAS SAFETY PRESSURE SWITCH PG 901.61

POS.	CODE	PIECES	DESCRIPTION
20	R61630011	2	METAL CLAMPS 12-22/9
21	R61630100	2	METAL CLAMPS 32-44/12
22	R61630031	2	METAL CLAMPS 40-60/9
23	R65110560	1	STEAM GENERATOR DRAIN MOTORIZED VALVE
24	R65320010	2	STEAM GENERATOR LEVEL PROBE
25	R70050040	1	STEAM GENERATOR CAP GASKET
26	R58003740	1	CHAMBER VENT ROD
27	R69010410	1	STEAM OUTLET KNOB
28	R04403460	1	CHAMBER VENT PLATE Ø 46
29	R70060040	1	SILICON COUPLING Ø 50
30	R70060080	1	SILICON COUPLING Ø 13
31	R70060030	1	SILICON COUPLING Ø 40
32	R62090478	7	ELBOW MIDDLING PIPE FITTING D.10
33	R62090468	1	"T" MIDDLING PIPE FITTING D.10
34	R62090458	1	STRAIGHT MIDDLING PIPE FITTING D.10
35	R70070050	1	PE D.10 MM X7 WATER FLEXIBLE PIPE (3 MT LONG)
36	R58004180	1	ORIFICE



POS.	CODE	PIECES	DESCRIPTION
1	R65070360	1	CABINET THERMOSTAT 50/270°C
2	R65080020	1	MAIN SELECTOR SWITCH
3	R65090200	1	TIMER
4	R65260600	1	SWITCH
5	R65260610	1	HUMIDIFIER PUSH BUTTON
6	R65260620	1	RESTORATION PUSH BUTTON
7	R65270150	2	ORANGE INDICATING LIGHT
8	R65270160	1	GREEN INDICATING LIGHT
9	R65270170	1	RED INDICATING LIGHT
10	R67012950	1	LAINOX PLATE
11	R69030150	3	KNOB - UNTIL N°2604 KNOB - FROM n°2704
	R69030170	3	
12	R70044250	1	CONTROL PANEL GASKET
13	R67012960	1	LAINOX PLATE
14	R86020420	1	CORE TEMPERATURE PROBE BOX
15	R65300540	1	CONTROL PANEL P.C. BOARD
16	R65300490	1	RELAYS P.C. BOARD
17	R65320920	1	CORE TEMPERATURE PROBE FEMALE CONNECTOR
18	R65320900	1	CORE TEMPERATURE PROBE

POS.	CODE	PIECES	DESCRIPTION
19	R65321020	1	COVER FOR FEMALE CONNECTOR