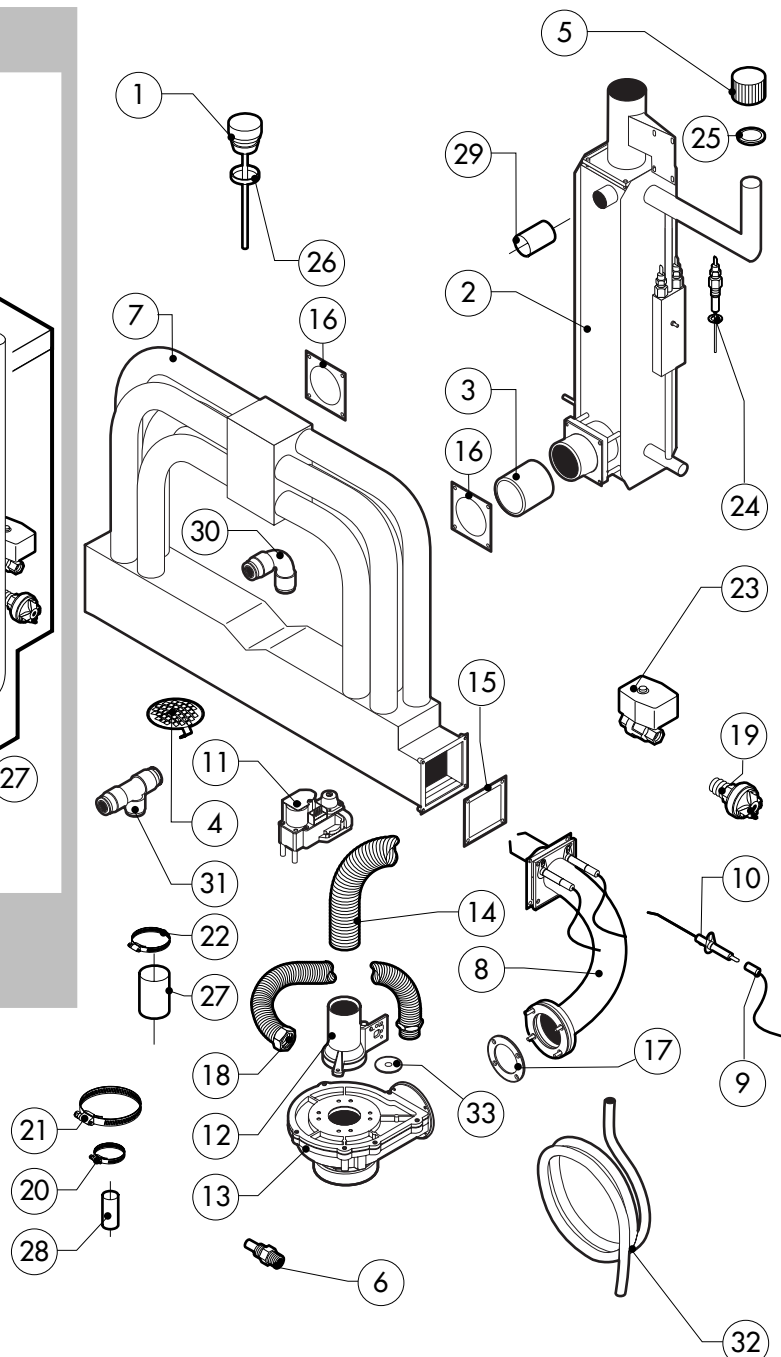
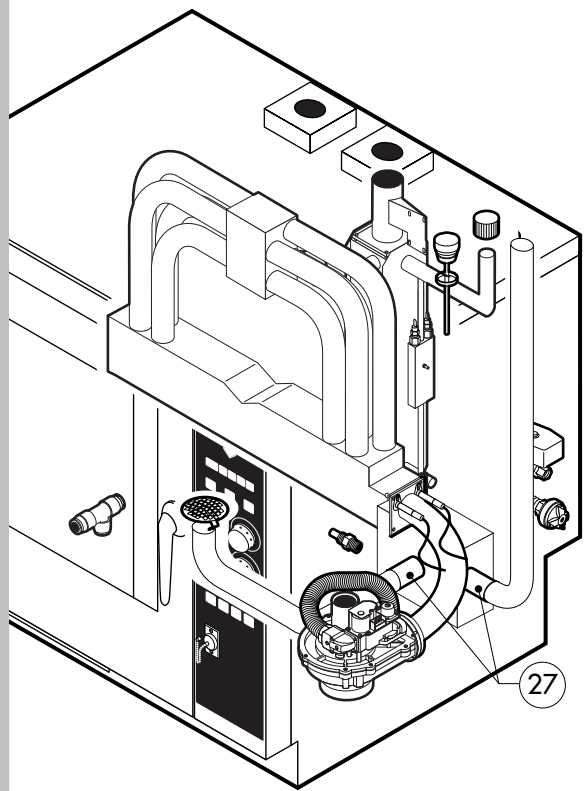


| POS. | CODE       | PIECES | DESCRIPTION                                |
|------|------------|--------|--|
| 1    | R58003860  | 1      | MOTOR GASKET BRASS FLANGE                  |
| 2    | R58003870  | 1      | MOTOR GASKET BRASS COUNTER FLANGE          |
| 3    | R58004020  | 1      | FAN SECURITY NUT M10 SX                    |
| 4    | R61400052  | 1      | FAN WASHER Ø 21/10.5                       |
| 5    | *R65040421 | 1      | MOTOR KW 025 2P 220-240V KIT               |
| 6    | R65060050  | 2      | COMPONENTS VENTILATION MOTOR Ø 120         |
| 7    | R65070350  | 1      | CHAMBER SAFETY THERMOSTAT                  |
| 8    | R65070081  | 1      | STEAM GENERATOR SAFETY THERMOSTAT          |
| 9    | R65095000  | 1      | DAMPER SYSTEM                              |
| 10   | R65090240  | 1      | DRAIN MOTOR                                |
| 11   | R65110210  | 1      | SOLENOID VALVE 220V 50HZ                   |
| 12   | R65110230  | 1      | SOLENOID VALVE 220V 50HZ WITH FLOW REDUCER |
| 13   | R65110510  | 1      | 15 LT/H WATER FLOW REDUCER                 |
| 14   | R63060120  | 1      | BURNER IGNITION PANEL                      |
| 15   | R63130020  | 1      | GAS BURNER FAN MOTOR PCBOARD               |
| 16   | *R65140380 | 3      | CONTACTOR 3RT1016-1AP02 240V               |
| 17   | *R65160310 | 1      | THERMIC PROTECTION T12-211S-2.5A           |
| 18   | R65180770  | 1      | TRANSFORMER 50VA                           |
| 19   | R65180420  | 2      | TRANSFORMER 20VA                           |

| POS. | CODE       | PIECES | DESCRIPTION                   |
|------|------------|--------|-------------------------------|
| 20   | R65200086  | 2      | FUSE 0.125A (T)               |
| 21   | R65200200  | 1      | FUSE 2A                       |
| 22   | R65200120  | 1      | FUSE 1A                       |
| 23   | R65200040  | 1      | FUSE 0.500A (T)               |
| 24   | R65210020  | 5      | FUSE CARRIER                  |
| 25   | R65220220  | 1      | TERMINAL BOARD                |
| 26   | R65265100  | 1      | DOOR SWITCH                   |
| 27   | *R65280210 | 1      | INTERFERENCE SUPPRESSOR       |
| 28   | *R65280450 | 1      | FERRITE                       |
| 29   | R65325000  | 3      | PROBE PT100                   |
| 30   | R70020040  | 1      | MOTOR GASKET                  |
| 31   | *R75400400 | 1      | FAN Ø 220x78/12 50HZ P.D. KIT |
| 32   | *R65190180 | 1      | CAPACITOR 10 µF               |
| 33   | R11402840  | 2      | SMOKES OUTKET PLATE           |
| 34   | R61660000  | 1      | CARDAN JOINT                  |

\*COMPONENT SUBMITTED TO CHANGEMENTS CAUSED BY TENSION DIFFERENT FROM THE STANDARD (AC 230V 50HZ)



| POS. | CODE      | PIECES | DESCRIPTION                             |
|------|-----------|--------|---|
| 1    | R10100140 | 1      | DAMPER SYSTEM CAP                       |
| 2    | R11100350 | 1      | STEAM GENERATOR ASSEMBLY                |
| 3    | R70080000 | 1      | CERAMIC PROTECTION TUBE                 |
| 4    | R10201700 | 1      | DRAIN FILTER                            |
| 5    | R58005680 | 1      | STEAM GENERATOR DESCALING CAP 1"1/4 F   |
| 6    | R58006130 | 2      | STEAM QUENCHING NOZZLE Ø 1              |
| 7    | R11201151 | 1      | HEAT EXCHANGER ACCESSORIES INCLUDED     |
| 8    | R11201260 | 1      | BURNER ASSEMBLY                         |
| 9    | R66605700 | 2      | FLAME IGNITION CABLE/FLAME SENSOR CABLE |
| 10   | R63050070 | 2      | IGNITOR                                 |
| 11   | R63020170 | 1      | GAS SOLENOID VALVE                      |
| 12   | R63120020 | 1      | VENTURI TUBE                            |
| 13   | R63130010 | 1      | GAS BURNER FAN MOTOR                    |
| 14   | R77700046 | 1      | AIR INLET FLEXIBLE PIPE                 |
| 15   | R63140000 | 2      | BURNER/HEAT EXCHANGER GASKET            |
| 16   | R63140010 | 4      | BOILER/HEAT EXCHANGER GASKET            |
| 17   | R63140050 | 1      | BURNER/FAN MOTOR GASKET                 |
| 18   | R62180082 | 1      | GAS INLET FLEXIBLE PIPE                 |
| 19   | R63070010 | 1      | GAS SAFETY PRESSURE SWITCH PG 901.61    |

| POS. | CODE      | PIECES | DESCRIPTION                                   |
|------|-----------|--------|---|
| 20   | R61630011 | 2      | METAL CLAMPS 12-22/9                          |
| 21   | R61630071 | 2      | METAL CLAMPS 110-130/9                        |
| 22   | R61630031 | 6      | METAL CLAMPS 40-60/9                          |
| 23   | R65110560 | 1      | STEAM GENERATOR DRAIN MOTORIZED VALVE         |
| 24   | R65320010 | 2      | STEAM GENERATOR LEVEL PROBE                   |
| 25   | R70050040 | 1      | STEAM GENERATOR CAP GASKET                    |
| 26   | R70060020 | 1      | DAMPER SYSTEM CAP GASKET                      |
| 27   | R70060040 | 2      | SILICON COUPLING Ø 50                         |
| 28   | R70060080 | 1      | SILICON COUPLING Ø 13                         |
| 29   | R70060030 | 1      | SILICON COUPLING Ø 40                         |
| 30   | R62090478 | 7      | ELBOW MIDDLING PIPE FITTING D.10              |
| 31   | R62090468 | 1      | "T" MIDDLING PIPE FITTING D.10                |
| 32   | R70070050 | 1      | PE D.10 MM X7 WATER FLEXIBLE PIPE (3 MT LONG) |
| 33   | R58004180 | 1      | ORIFICE                                       |

