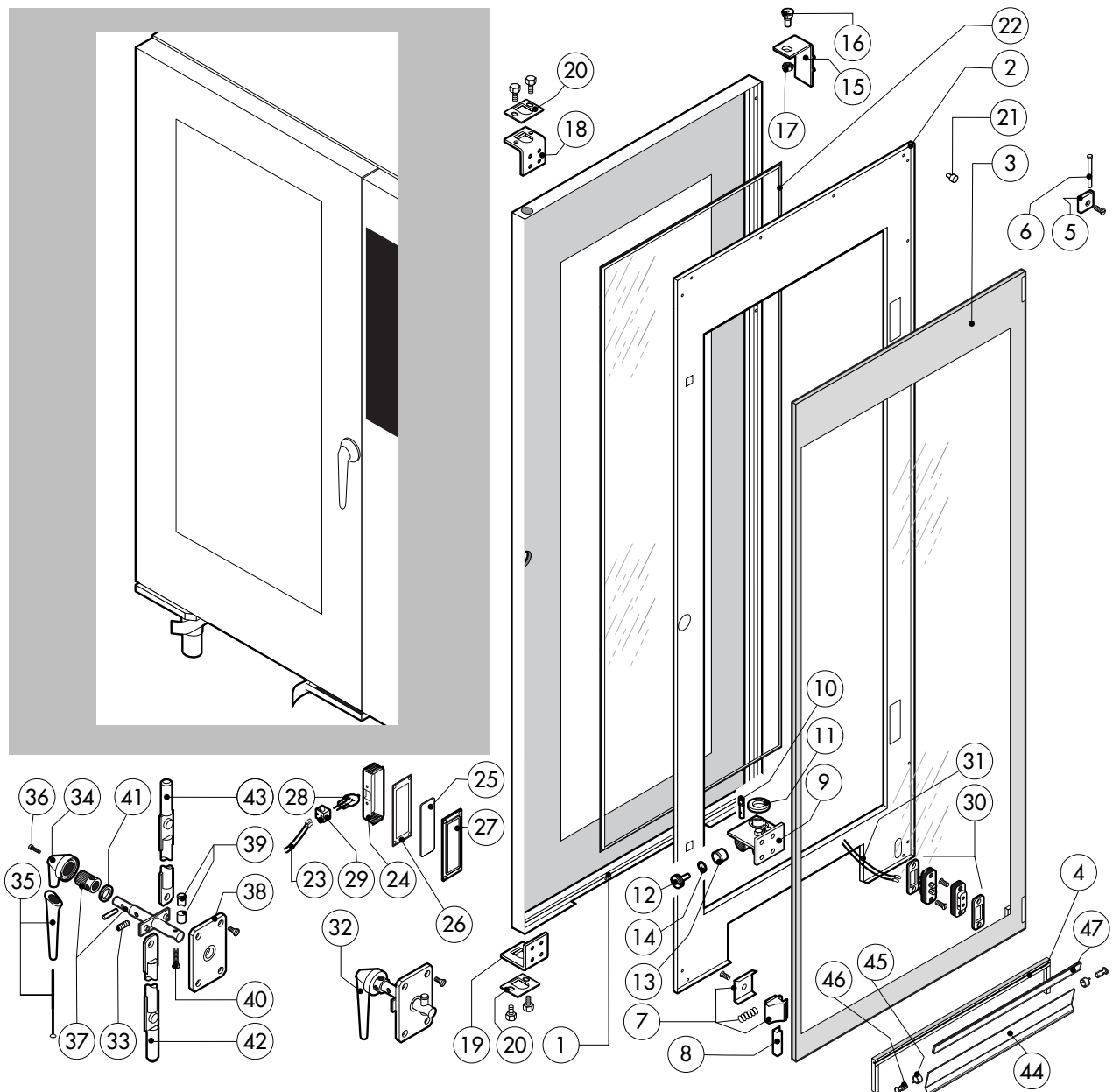


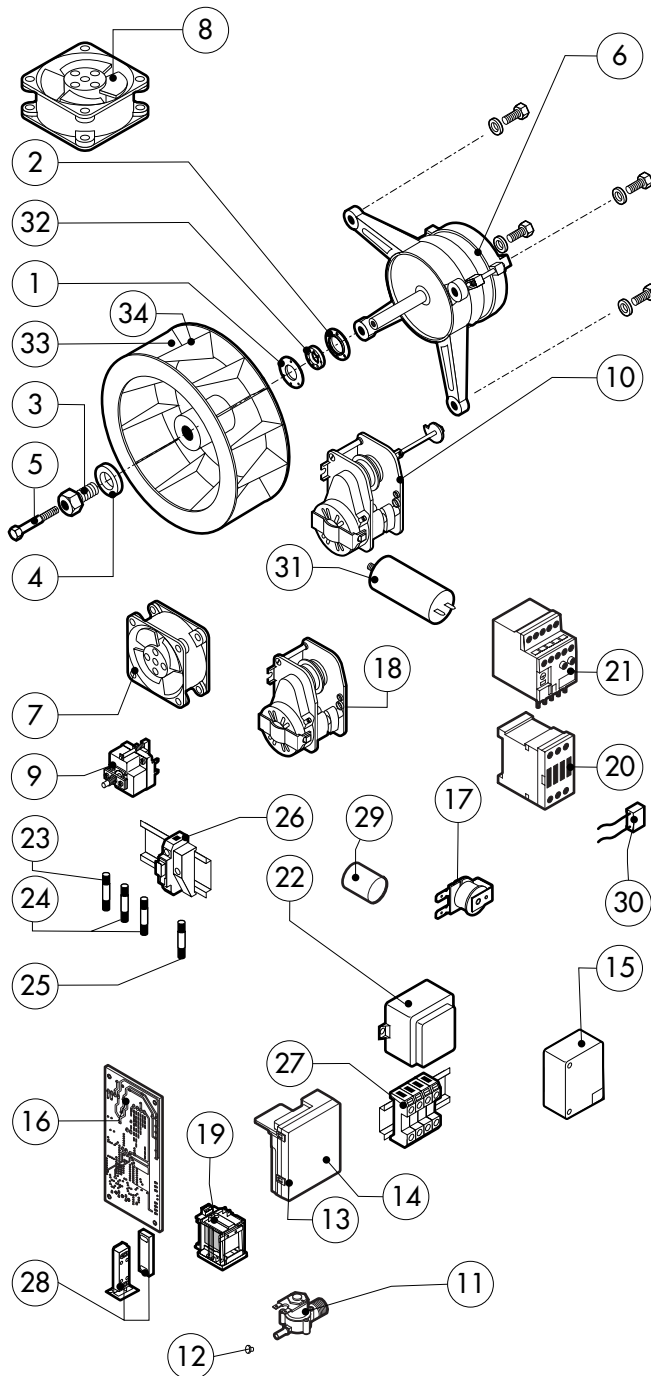
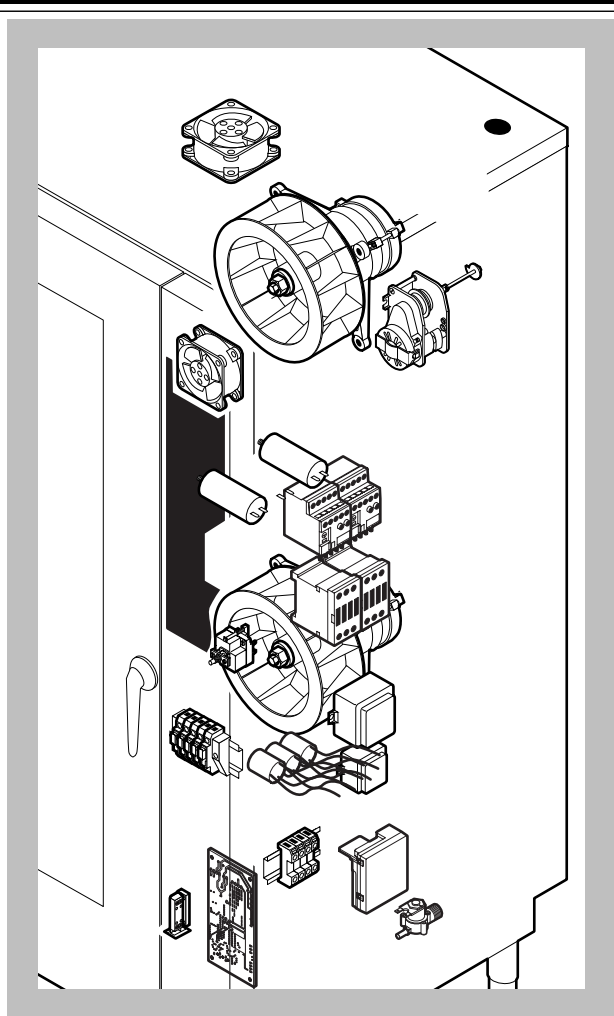
POS.	CODE	PIECES	DESCRIPTION
1	R11100260	1	DOOR ASSEMBLY
2	R11221520	1	CONTROL PANEL
3	R11201990	1	SPRITZER EXTENSION
4	R11202270	1	SPRITZER UNION
5	R11205702	1	COOKING CABINET ASSEMBLY
6	R11205280	1	FAN GUARD PANEL ASSEMBLY
7	R11205321	1	RIGHT SIDE PANEL
8	R11205311	1	LEFT SIDE PANEL
9	R11411350	1	REAR PANEL
10	R11222120	1	COVER PANEL
11	R58003100	2	FAN GUARD FASTENING SCREW
12	R70044130	1	FRONT GASKET
13	R75300090	2	FAN GUARD GRID Ø 350
14	R69070020	4	FOOT 1"1/2x130
15	R69090090	2	WHEEL
16	R69090100	2	WHEEL WITH BRAKE
17	R10457840	1	HANDLE FOR TROLLEY

POS.	CODE	PIECES	DESCRIPTION



POS.	CODE	PIECES	DESCRIPTION
1	R11205820	1	DOOR
2	R11205830	1	INNER DOOR PANEL
3	R11100150	1	INNER DOOR GLASS
4	R70044320	1	GASKET FOR TROLLEY
5	R58001760	2	INNER GLASS SOLID HINGE
6	R58001770	2	INNER GLASS HINGE PIN
7	R58001780	2	INNER GLASS CATCH KIT
8	R11411860	2	"C" PROFILE
9	R11205390	1	LOWER DOOR HINGE WITH RETAINER
10	R58002540	1	DOOR PIVOT SUNK KEY
11	R58002550	1	DOOR RETAINER GUIDE SHOE
12	R58002560	1	SCREW FOR LOWER DOOR HINGE
13	R58002570	1	WASHER Ø 30/15x3
14	R61620091	16	BELLEVILLE WASHER Ø 14/6,4
15	R11200560	1	UPPER DOOR HINGE
16	R58002150	1	HINGE PIN
17	R58004050	1	NUT FOR UPPER DOOR HINGE
18	R11411520	1	UPPER SQUARE FOR DOOR ROD
19	R11205400	1	LOWER SQUARE FOR DOOR ROD
20	R10207680	2	DOOR ROD ADJUSTABLE PLATE
21	R70050100	9	GLASS SILICON SPACERS
22	R70044160	1	GLASS GASKET (3,72MT)
23	R66110320	1	DOOR LAMPS CABLE SET
24	R11401440	2	LAMP COVER
25	R71500150	2	GLASS LAMP
26	R70044200	2	GLASS LAMP

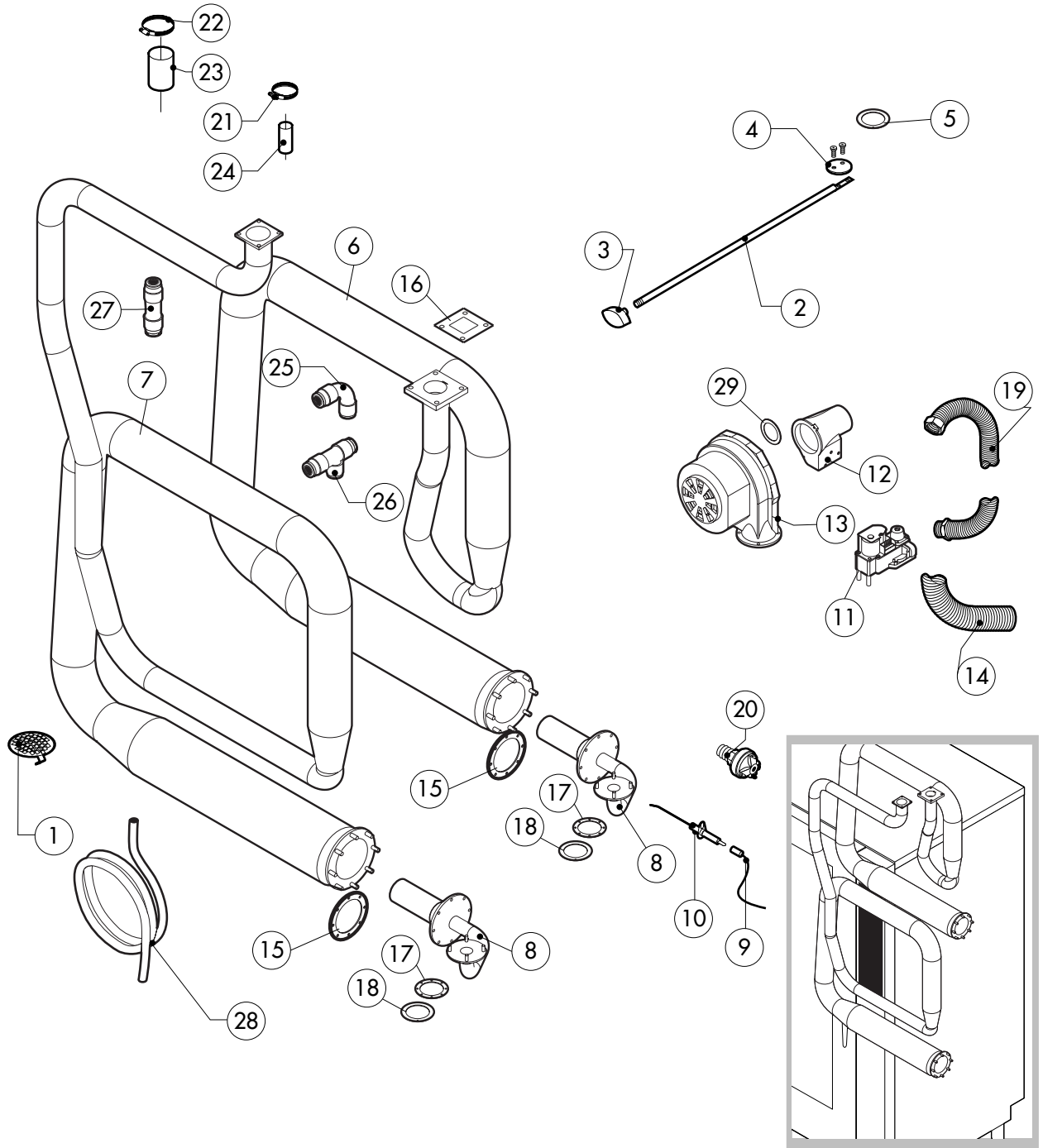
POS.	CODE	PIECES	DESCRIPTION
27	R11401450	2	GLASS HOLDER LAMP FLANGE
28	R65270020	2	LIGHT 20W 12V G4
29	R65270450	2	LIGHT SOCKET
30	R65260750	1	LAMPS CONTACT BLOCK
31	R66110300	1	LAMPS CONTACT CABLE SET
32	R11100310	1	DOOR HANDLE ASSEMBLY
33	R61090052	1	GRUB SCREW M6x16
34	R69010600	1	DOOR HANDLE
35	R69010610	1	HANDLE
36	R61030601	1	CYLINDRICAL HEAD SCREW
37	R11205340	1	DOOR HANDLE PIN
38	R03200970	1	DOOR LOCK REAR FLANGE
39	R58004781	1	DOOR HANDLE HOOK
40	R61040272	1	DOOR HANDLE HOOK SCREW
41	R61420021	1	ELASTIC WASHER
42	R11205381	1	LOWER DOOR ROD
43	R11205370	1	UPPER DOOR ROD
44	R11436300	1	CLOSING PLATE
45	R65491250	1	CLOSING PLATE SPRING ASSEMBLY
46	R58006860	2	CLOSING PLATE RORAZIONE PIVOT
47	R80100910	0,65mt	CLOSING PLATE GASKET



POS.	CODE	PIECES	DESCRIPTION
1	R58003840	2	MOTOR GASKET BRASS FLANGE
2	R58003850	2	MOTOR GASKET BRASS COUNTER FLANGE
3	R58004000	2	FAN SCREW M12x1.5 SX
4	R58004010	2	FAN WASHER Ø 30/12.5
5	R61020562	2	FAN SCREW TE A2 M6x55
6	*R65040550	2	MOTOR KW 055 F1 4P 200-240V KIT
7	R65060050	1	COMPONENTS VENTILATION MOTOR Ø 120
8	R65060060	1	COMPONENTS VENTILATION MOTOR Ø 150
9	R65070350	1	CHAMBER SAFETY THERMOSTAT
10	R65095000	1	DAMPER SYSTEM
11	R65110200	1	SOLENOID VALVE 220V 50HZ
12	R65110510	1	15 LT/H WATER FLOW REDUCER
13	R63060140	2	BURNER IGNITION PANEL UNTIL Nn0108
14	R63060160	2	BURNER IGNITION PANEL FROM Nn0108
15	R65180270	2	IGNITION TRANSFORMER FROM Nn0108
16	R63130050	2	GAS BURNER FAN MOTOR PCBOARD
17	R65330010	1	BUZZER
18	R65090190	1	REVERSING SWITCH 8'
19	R65170050	3	RELAY 240V AC 8/5A 4052
20	*R65140380	2	CONTACTOR 3RT1016-1AP02 240V

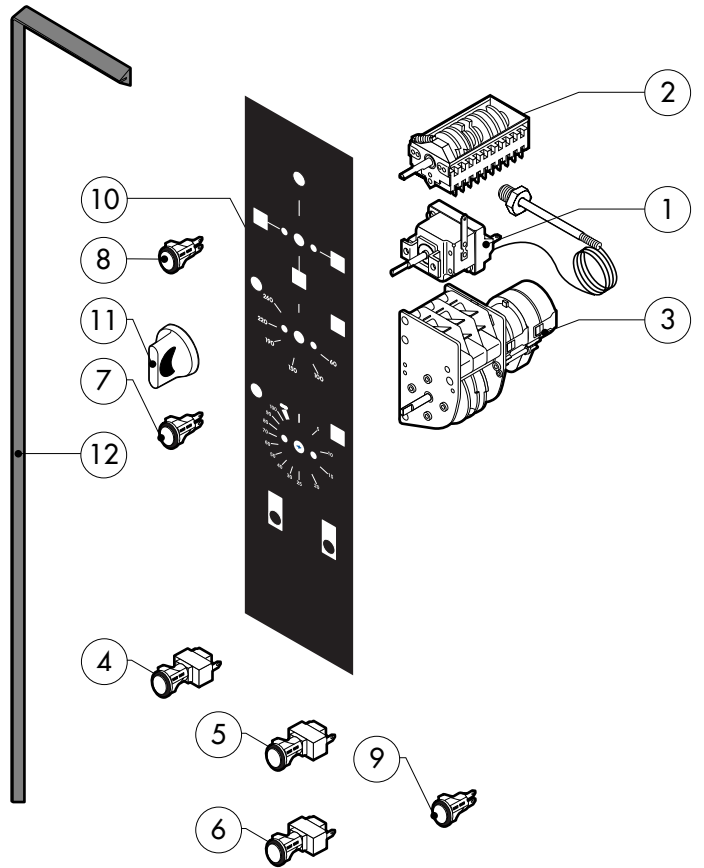
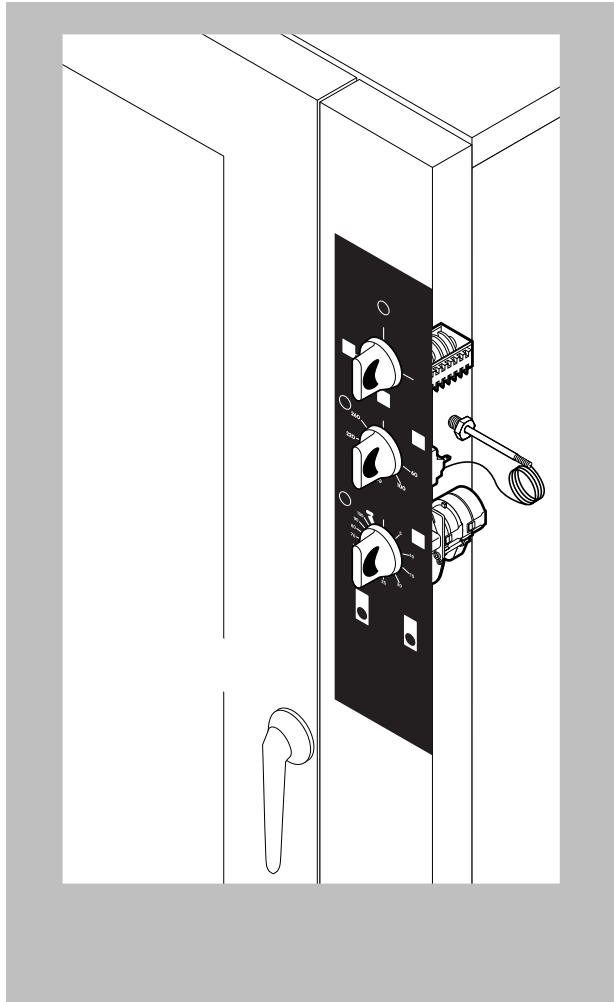
POS.	CODE	PIECES	DESCRIPTION
21	*R65160590	2	THERMIC PROTECTION 3RU1116-1EB0 2,8-4,0A
22	R65180430	1	TRANSFORMER 40VA
23	R65200200	1	FUSE 2A
24	R65200160	2	FUSE 1A
25	R65200350	1	FUSE 0.200A (T)
26	R65210020	4	FUSE CARRIER
27	R65220220	1	TERMINAL BOARD
28	R65265100	1	DOOR SWITCH
29	*R65280230	1	INTERFERENCE SUPPRESSOR
30	*R65280130	2	INTERFERENCE SUPPRESSOR
31	*R65190050	2	CAPACITOR 20 µF
32	R70020050	2	MOTOR GASKET
33	*R75400440	2	FAN Ø 350x114/12 50HZ P.D. KIT
34	R75400470	2	FAN Ø 350x114/12 60HZ P.D. KIT

*COMPONENT SUBMITTED TO CHANGEMENTS CAUSED BY TENSION DIFFERENT FROM THE STANDARD (AC 230V 50HZ)



POS.	CODE	PIECES	DESCRIPTION
1	R10201710	1	DRAIN FILTER
2	R58006780	1	CHAMBER VENT ROD
3	R69010410	1	STEAM OUTLET KNOB
4	R11429380	2	CHAMBER VENT PLATE
5	R70050130	1	DAMPER SYSTEM CAP GASKET
6	R11222050	1	TOP HEAT EXCHANGER ASSEMBLY
7	R11222060	1	LOWER HEAT EXCHANGER ASSEMBLY
8	R11205790	2	TOP BURNER ASSEMBLY
9	R66605820	2	FLAME IGNITION CABLE/FLAME SENSOR CABLE
10	R63050130	6	IGNITOR
11	R63020170	2	GAS SOLENOID VALVE
12	R63120030	2	VENTURI TUBE
13	R65060360	2	GAS BURNER FAN MOTOR
14	R77700056	2 MT	AIR INLET FLEXIBLE PIPE
15	R63140080	4	BURNER/HEAT EXCHANGER GASKET
16	R63140010	4	HEAT EXCHANGER GASKET
17	R63140050	4	BURNER/FAN MOTOR GASKET
18	R11430350	2	ORIFICE D.18
19	R62180082	2	GAS INLET FLEXIBLE PIPE
20	R63070010	1	GAS SAFETY PRESSURE SWITCH PG 901.61

POS.	CODE	PIECES	DESCRIPTION
21	R61630011	2	METAL CLAMPS 12-22/9
22	R61630031	4	METAL CLAMPS 40-60/9
23	R70060040	2	SILICON COUPLING Ø 50
24	R70060080	1	SILICON COUPLING Ø 13
25	R62090478	2	ELBOW MIDLING PIPE FITTING D.10
26	R62090468	1	"T" MIDLING PIPE FITTING D.10
27	R62090458	1	STRAIGHT MIDLING PIPE FITTING D.10
28	R70070040	1	PE D.10 MM X7 WATER FLEXIBLE PIPE (4 MT LONG)
29	R58004190	2	ORIFICE D.4



POS.	CODE	PIECES	DESCRIPTION
1	R65070360	1	CABINET THERMOSTAT 0°/300°C
2	R65080010	1	MAIN SELECTOR SWITCH
3	R65090020	1	TIMER
4	R65260600	1	SWITCH
5	R65260610	1	HUMIDIFIER PUSH BUTTON
6	R65260620	1	RESTORATION PUSH BUTTON
7	R65270150	2	ORANGE INDICATING LIGHT
8	R65270160	1	GREEN INDICATING LIGHT
9	R65270170	1	RED INDICATING LIGHT
10	-	1	PLATE
11	R69030170	3	KNOB
12	R70044280	1	CONTROL PANEL GASKET

POS.	CODE	PIECES	DESCRIPTION