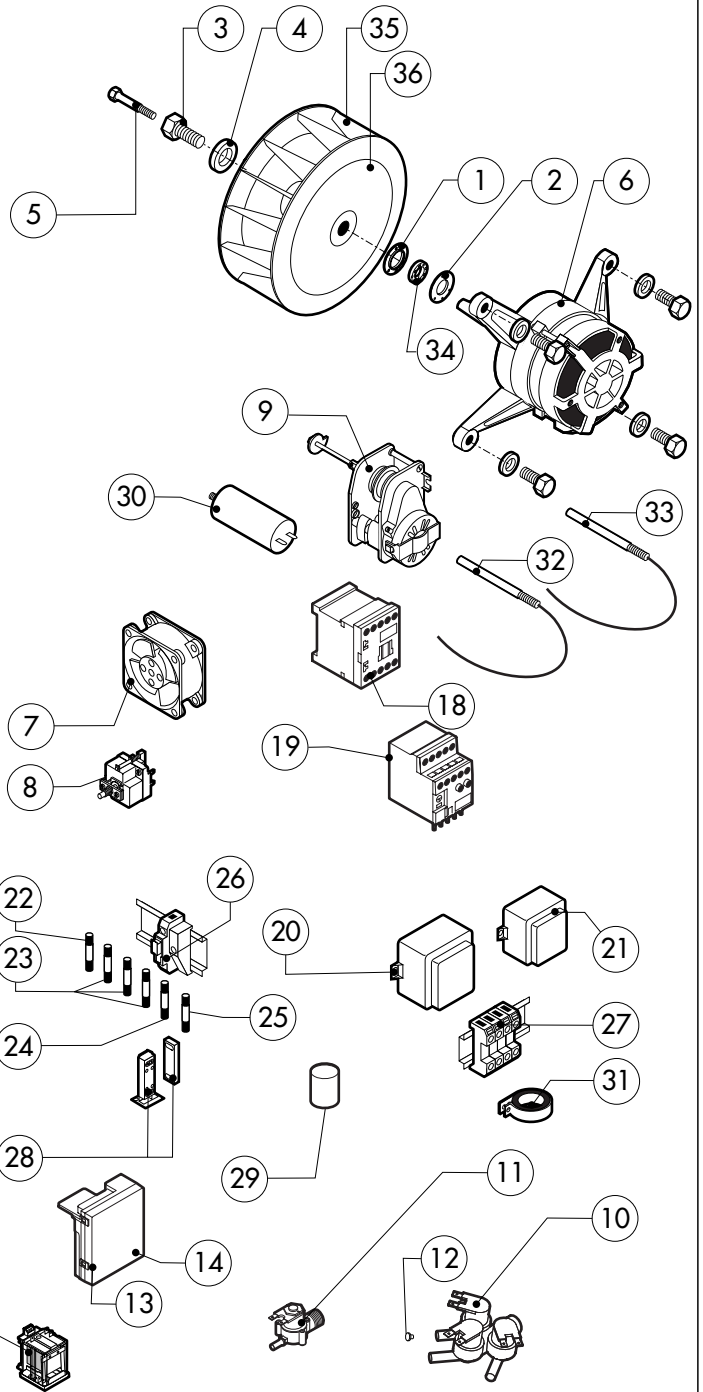
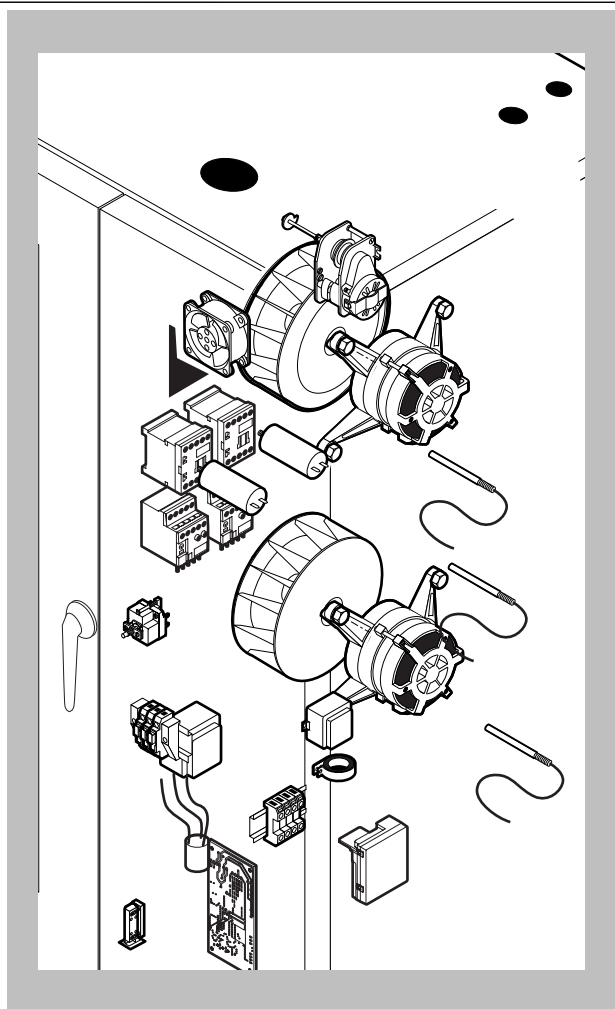


POS.	CODE	PIECES	DESCRIPTION
1	R11100181	1	DOOR UNTIL N α 2507
2	R11206180	1	DOOR FROM N α 2607
3	R11205361	1	INNER DOOR PANEL UNTIL N α 2507
4	R11206190	1	INNER DOOR PANEL FROM N α 2607
5	R11100150	1	INNER DOOR GLASS
6	R70044300	1	GASKET FOR TROLLEY(0,7MT) UNTIL N α 2507
7	R70044360	1	GASKET FOR TROLLEY FROM N α 2607
8	R58001760	2	INNER GLASS SOLID HINGE
9	R58001770	2	INNER GLASS HINGE PIN
10	R58001780	2	INNER GLASS CATCH KIT
11	R11411860	2	"C" PROFILE
12	R11205390	1	LOWER DOOR HINGE WITH RETAINER
13	R58002540	1	DOOR PIVOT SUNK KEY
14	R58002550	1	DOOR RETAINER GUIDE SHOE
15	R58002560	1	SCREW FOR LOWER DOOR HINGE
16	R58002570	1	WASHER \varnothing 30/15x3
17	R61620091	16	BELLEVILLE WASHER \varnothing 14/6.4
18	R11200560	1	UPPER DOOR HINGE
19	R58002150	1	HINGE PIN
20	R58004050	1	NUT FOR UPPER DOOR HINGE
21	R11411520	1	UPPER SQUARE FOR DOOR ROD
22	R11205400	1	LOWER SQUARE FOR DOOR ROD
23	R10207680	2	DOOR ROD ADJUSTABLE PLATE
24	R70050100	9	GLASS SILICON SPACERS
25	R70044160	1	GLASS GASKET (3,72MT)
26	R66110320	1	DOOR LAMPS CABLE SET

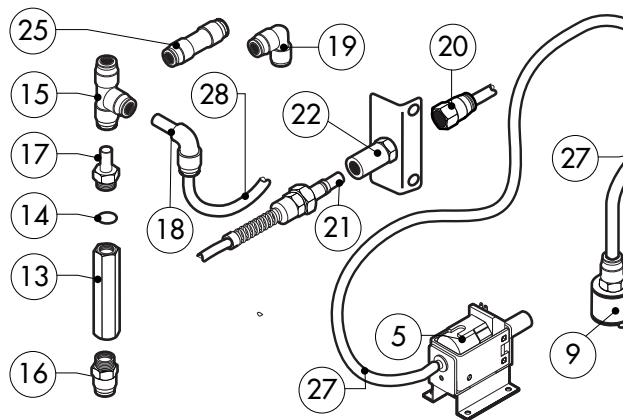
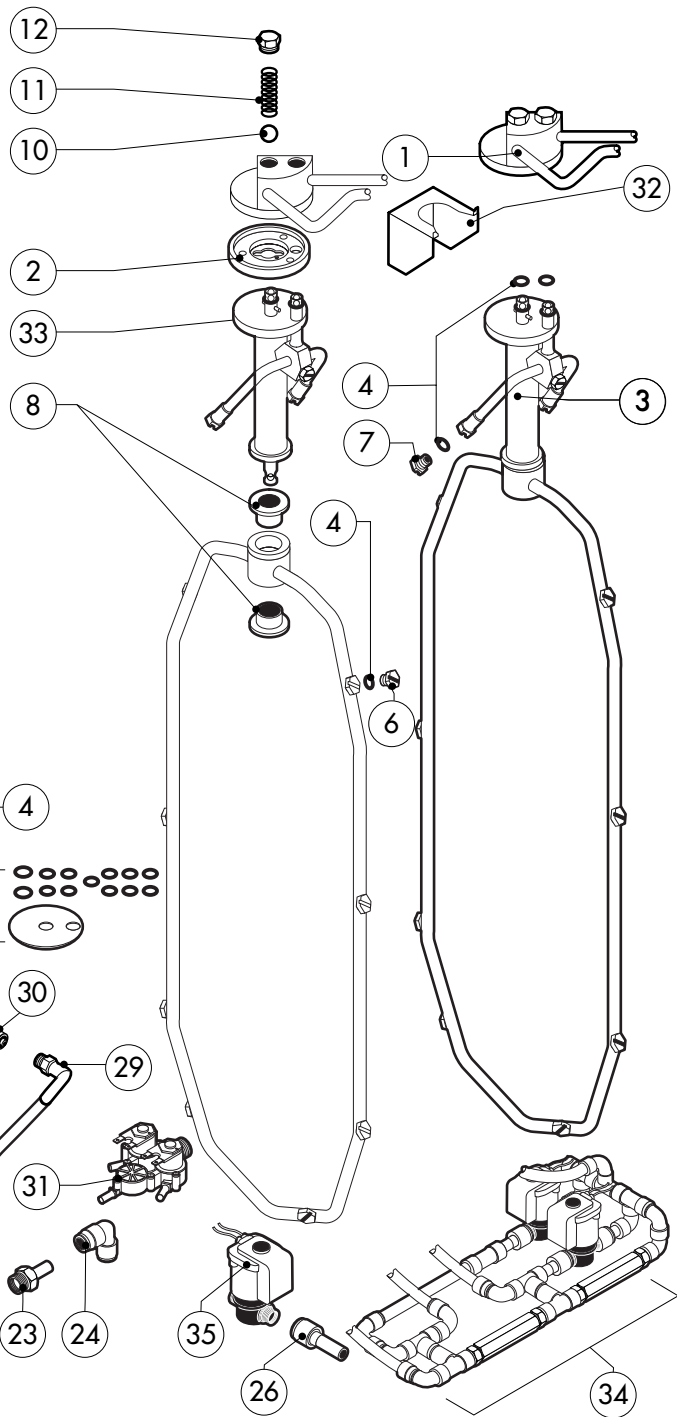
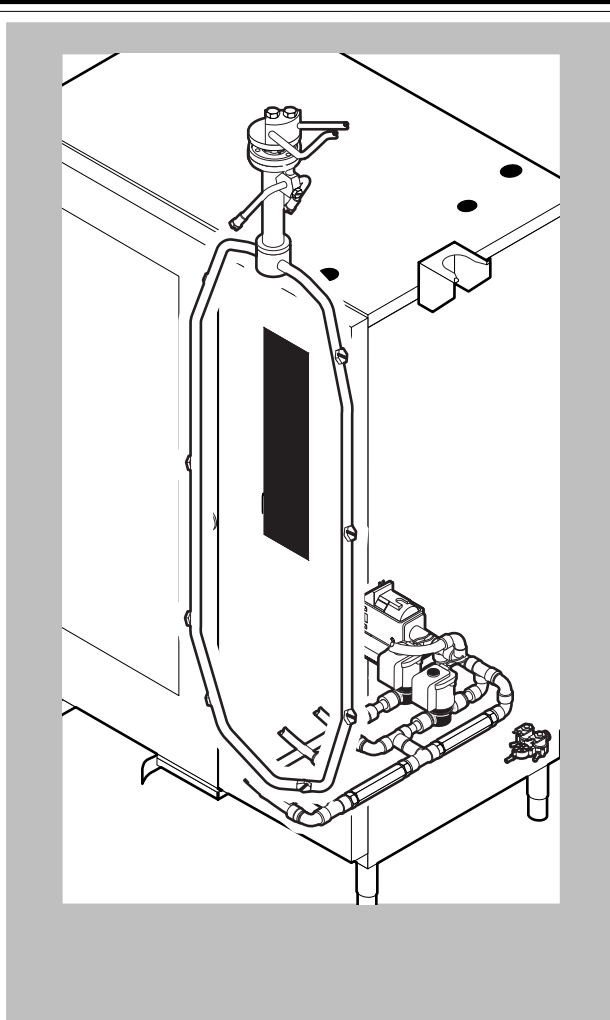
POS.	CODE	PIECES	DESCRIPTION
27	R11401440	2	LAMP COVER
28	R71500150	2	GLASS LAMP
29	R70044200	2	GLASS LAMP
30	R11401450	2	GLASS HOLDER LAMP FLANGE
31	R65270020	2	LIGHT 20W 12V G4
32	R65270450	2	LIGHT SOCKET
33	R65260750	1	LAMPS CONTACT BLOCK
34	R66110300	1	LAMPS CONTACT CABLE SET
35	R11100310	1	DOOR HANDLE ASSEMBLY
36	R61090052	1	GRUB SCREW M6x16
37	R69010600	1	DOOR HANDLE
38	R69010610	1	HANDLE
39	R61030601	1	CYLINDRICAL HEAD SCREW
40	R11205340	1	DOOR HANDLE PIN
41	R03200970	1	DOOR LOCK REAR FLANGE
42	R58004781	1	DOOR HANDLE HOOK
43	R61040272	1	DOOR HANDLE HOOK SCREW
44	R61420021	1	ELASTIC WASHER
45	R11205381	1	LOWER DOOR ROD
46	R11205370	1	UPPER DOOR ROD
47	R11437460	1	CLOSING PLATE
48	R65491250	1	CLOSING PLATE SPRING ASSEMBLY
49	R58006860	2	CLOSING PLATE RORAZIONE PIVOT
50	R80100910	0,65mt	CLOSING PLATE GASKET



POS.	CODE	PIECES	DESCRIPTION
1	R58003840	2	MOTOR GASKET BRASS FLANGE
2	R58003850	2	MOTOR GASKET BRASS COUNTER FLANGE
3	R58004000	2	FAN SCREW M12x1.5 SX
4	R58004010	2	FAN WASHER Ø 30/12.5
5	R61020562	2	FAN SCREW TE A2 M6x55
6	*R65040550	2	MOTOR KW 055 F1 4P 200-240V KIT
7	R65060050	4	COMPONENTS VENTILATION MOTOR Ø 120
8	R65070350	1	CHAMBER SAFETY THERMOSTAT
9	R65095000	1	DAMPER SYSTEM
10	R65110280	1	SOLENOID VALVE 220V 50HZ
11	R65110200	1	SOLENOID VALVE 220V 50HZ
12	R65110500	2	10 LT/H WATER FLOW REDUCER
13	R63060140	2	BURNER IGNITION PANEL UNTIL N°0108
14	R63060160	2	BURNER IGNITION PANEL FROM N°0108
15	R65180270	2	IGNITION TRANSFORMER FROM N°0108
16	R63130050	2	GAS BURNER FAN MOTOR PCBOARD
17	R65170100	1	RELAY 240V AC 16A 62.82300308
18	*R65140380	2	CONTACTOR 3RT1016-1AP02 240V
19	*R65160590	2	THERMIC PROTECTION 3RU1116-1EB0 2,8-4,0A

POS.	CODE	PIECES	DESCRIPTION
20	R65180430	1	TRANSFORMER 40VA
21	R65180420	1	TRANSFORMER 20VA
22	R65200200	1	FUSE 2A
23	R65200160	2	FUSE 1A
24	R65200350	1	FUSE 0.200A (T)
25	R65200086	1	FUSE 0.125A (T)
26	R65210020	5	FUSE CARRIER
27	R65220220	1	TERMINAL BOARD
28	R65265100	1	DOOR SWITCH
29	*R65280230	1	INTERFERENCE SUPPRESSOR
30	*R65190050	2	CAPACITOR 20 µF
31	*R65280490	1	FERRITE FT35
32	R65325000	1	PROBE PT100 1,5 MT
33	R65325010	1	PROBE PT100 3 MT
34	R70020050	2	MOTOR GASKET
35	*R75400440	2	FAN Ø 350x114/12 50HZ P.D. KIT
36	R75400470	2	FAN Ø 350x114/12 60HZ P.D. KIT

*COMPONENT SUBMITTED TO CHANGEMENTS CAUSED BY TENSION DIFFERENT FROM THE STANDARD (AC230V 50HZ)



POS.	CODE	PIECES	DESCRIPTION
1	R11206211	1	WASHING SYSTEM EXTERNAL ASSEMBLY
2	R58004960	1	WASHING SYSTEM INNER FLANGE
3	R11100540	1	WASHING DEVICE ASSEMBLY
4	R70045110	1	GASKETS KIT
5	R65110600	1	DETRGENT PUMP
6	R62210032	8	1,3 L/MIN RINSING JET
7	R62210042	3	0,56 L/MIN DETERGENT JET
8	R58004980	2	WASHING DEVICE ROTATION BUSH
9	R65110650	1	BOTTOM FILTER
10	R62220012	2	SPHERA D.14
11	R61620041	2	SPRING
12	R58005000	2	1/2" MALE COVER
13	R65110640	2	ANTI-BACK FLOW
14	R70010050	4	OR GASKETS
15	R62090468	5	"T" MIDLING PIPE FITTING D.10
16	R62090508	1	10X1/4 STRAIGHT THREADED TERMINAL PIPE FITTING
17	R62090518	3	10X1/4 END SIDE PIPE FITTING (WITH TANG)
18	R62090528	10	ELBOW PIPE FITTING (WITH TANG) 10 X 10
19	R62090478	4	ELBOW MIDLING PIPE FITTING D.10

POS.	CODE	PIECES	DESCRIPTION
20	R62090538	1	1/4" FEMALE STRAIGHT PIPE FITTING FOR D.8X6 PIPE
21	R62090482	1	RAPID MALE PIPE FITTING
22	R62090492	1	RAPID FEMALE PIPE FITTING
23	R62090608	2	8X1/8 END SIDE PIPE FITTING (WITH TANG)
24	R62090628	1	10-8 ELBOW REDUCTION
25	R62090458	2	STRAIGHT MIDLING PIPE FITTING D.10
26	R62090548	4	10-6 REDUCTION PIPE FITTING
27	R70070100	1	PE D.8 MM X 6 DETERGENT FLEXIBLE PIPE
28	R70070040	1	PE D.10 MM X7 WATER FLEXIBLE PIPE (4 MT LONG)
29	R62090648	1	ELBOW PIPE FITTING
30	R62090658	1	1/8" FEMALE STRAIGHT PIPE FITTING FOR D.8X6 PIPE
31	R65110240	1	SOLENOID VALVE 220V 50HZ WITH FLOW REDUCER
32	R11402000	1	WASHING DEVICE EXTERNAL HOLDER
33	R11100550	1	TUBE DEVICE SUPPORT WASHING
34	R62300038	1	ANTI-BACK FLOW DEVICE ASSEMBLY
35	R65110260	2	SOLENOID VALVE D.6 220V 50HZ