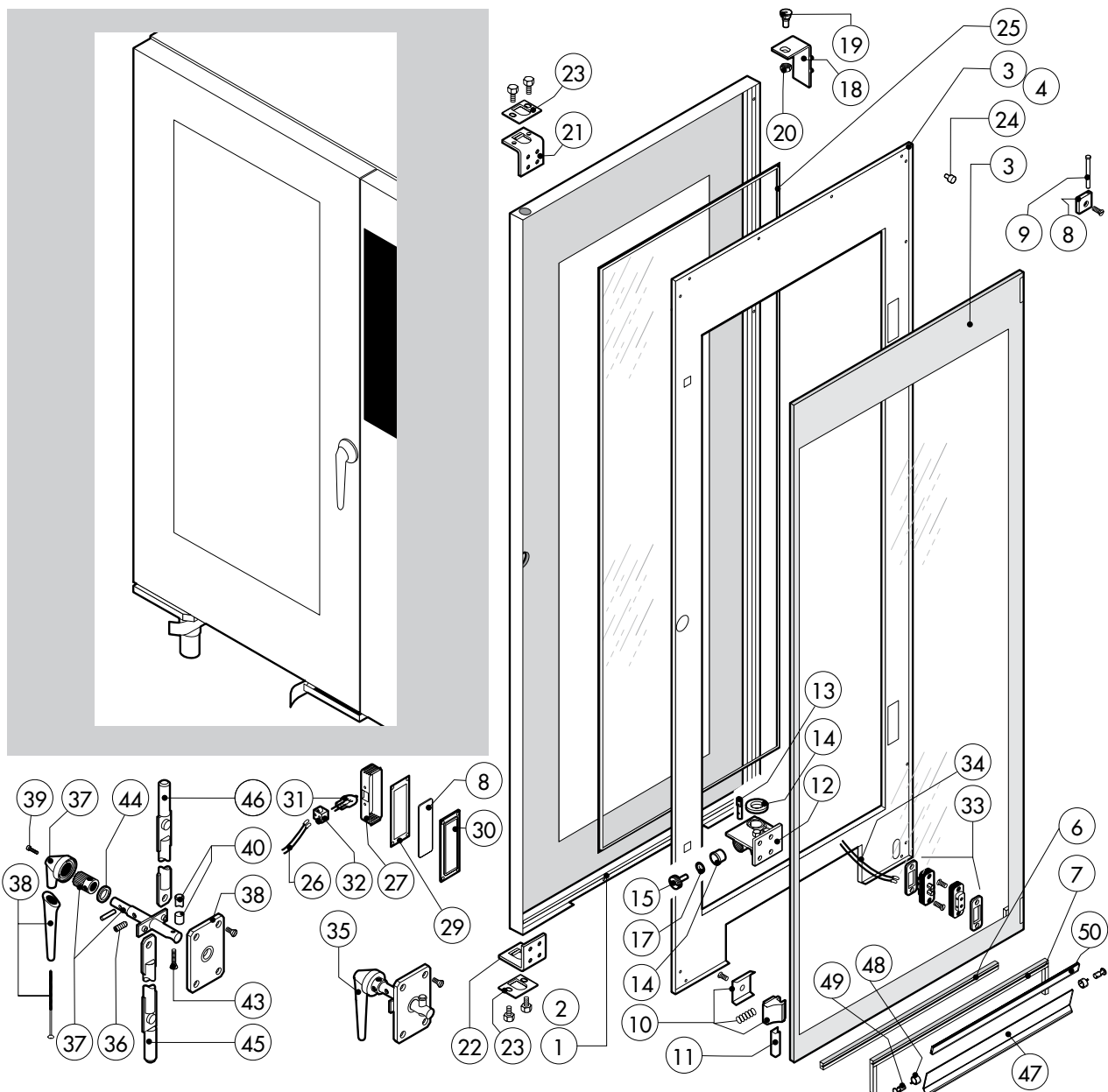


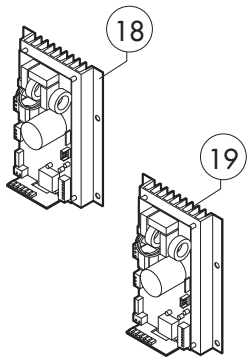
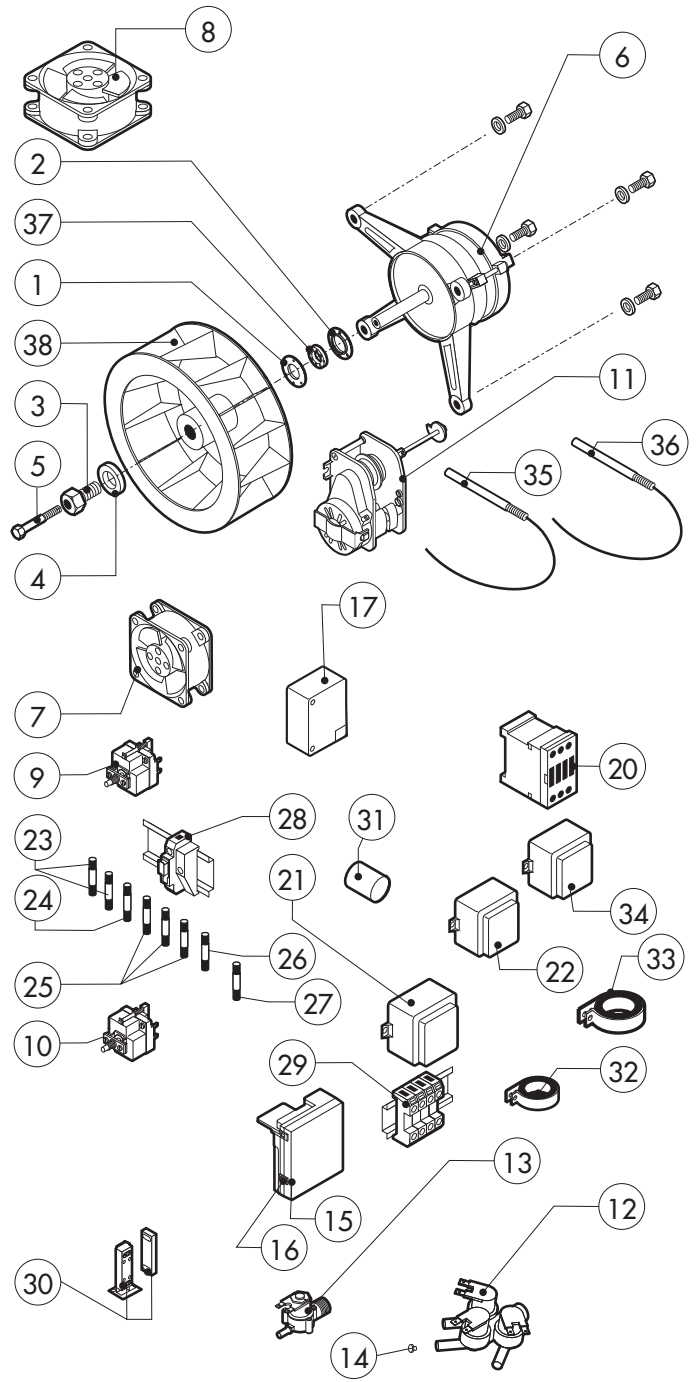
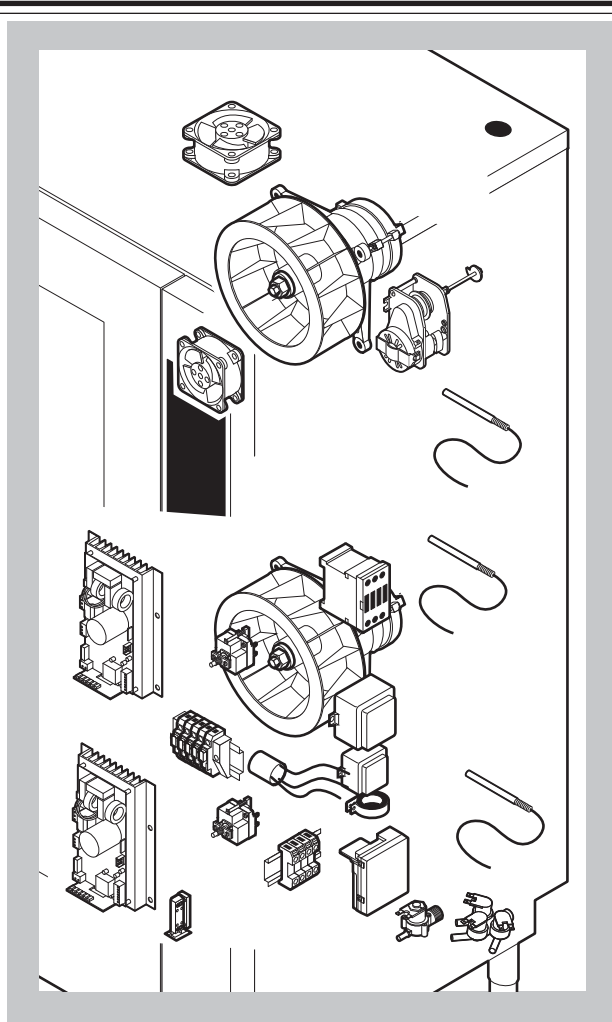
POS.	CODE	PIECES	DESCRIPTION
1	R11100120	1	DOOR ASSEMBLY UNTIL N° 2507
2	R11100260	1	DOOR ASSEMBLY FROM N° 2607
3	R11221500	1	CONTROL PANEL
4	R11201990	1	SPRITZER EXTENSION
5	R11202270	1	SPRITZER UNION
6	R11205702	1	COOKING CABINET ASSEMBLY
7	R11205712	1	WASHING SYSTEM COOKING CABINET ASSEMBLY
8	R11205280	1	FAN GUARD PANEL ASSEMBLY
9	R11205321	1	RIGHT SIDE PANEL
10	R11205311	1	LEFT SIDE PANEL
11	R11411350	1	REAR PANEL
12	R11222100	1	COVER PANEL
13	R58003100	2	FAN GUARD FASTENING SCREW
14	R70044130	1	FRONT GASKET
15	R75300090	2	FAN GUARD GRID Ø 350
16	R69070020	4	FOOT 1"1/2x130
17	R69090090	2	WHEEL
18	R69090100	2	WHEEL WITH BRAKE
19	R10457840	1	HANDLE FOR TROLLEY

POS.	CODE	PIECES	DESCRIPTION
20	R62200058	1	FLEXIBLE PIPE SHOWER
21	R62200028	1	SHOWER HANDLE



POS.	CODE	PIECES	DESCRIPTION
1	R11100181	1	DOOR UNTIL N° 2507
2	R11205820	1	DOOR FROM N° 2607
3	R11205361	1	INNER DOOR PANEL UNTIL N° 2507
4	R11205830	1	INNER DOOR PANEL FROM N° 2607
5	R11100150	1	INNER DOOR GLASS
6	R70044300	1	GASKET FOR TROLLEY(0,7MT) UNTIL N° 2507
7	R70044320	1	GASKET FOR TROLLEY FROM N° 2607
8	R58001760	2	INNER GLASS SOLID HINGE
9	R58001770	2	INNER GLASS HINGE PIN
10	R58001780	2	INNER GLASS CATCH KIT
11	R11411860	2	"C" PROFILE
12	R11205390	1	LOWER DOOR HINGE WITH RETAINER
13	R58002540	1	DOOR PIVOT SUNK KEY
14	R58002550	1	DOOR RETAINER GUIDE SHOE
15	R58002560	1	SCREW FOR LOWER DOOR HINGE
16	R58002570	1	WASHER Ø 30/15x3
17	R61620091	16	BELLEVILLE WASHER Ø 14/6.4
18	R11200560	1	UPPER DOOR HINGE
19	R58002150	1	HINGE PIN
20	R58004050	1	NUT FOR UPPER DOOR HINGE
21	R11411520	1	UPPER SQUARE FOR DOOR ROD
22	R11205400	1	LOWER SQUARE FOR DOOR ROD
23	R10207680	2	DOOR ROD ADJUSTABLE PLATE
24	R70050100	9	GLASS SILICON SPACERS
25	R70044160	1	GLASS GASKET (3,72MT)
26	R66110320	1	DOOR LAMPS CABLE SET

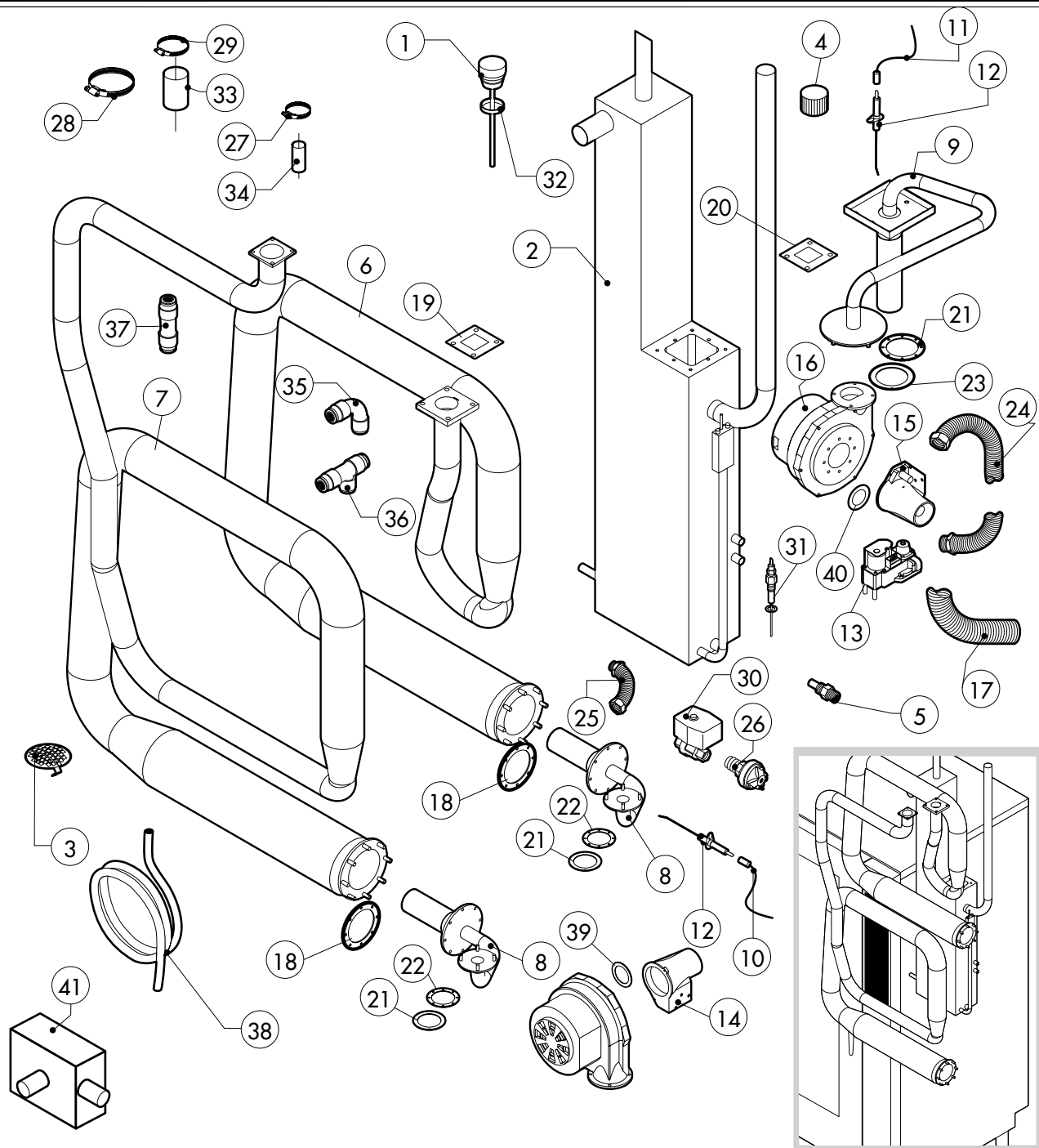
POS.	CODE	PIECES	DESCRIPTION
27	R11401440	2	LAMP COVER
28	R71500150	2	GLASS LAMP
29	R70044200	2	GLASS LAMP
30	R11401450	2	GLASS HOLDER LAMP FLANGE
31	R65270020	2	LIGHT 20W 12V G4
32	R65270450	2	LIGHT SOCKET
33	R65260750	1	LAMPS CONTACT BLOCK
34	R66110300	1	LAMPS CONTACT CABLE SET
35	R11100310	1	DOOR HANDLE ASSEMBLY
36	R61090052	1	GRUB SCREW M6x16
37	R69010600	1	DOOR HANDLE
38	R69010610	1	HANDLE
39	R61030601	1	CYLINDRICAL HEAD SCREW
40	R11205340	1	DOOR HANDLE PIN
41	R03200970	1	DOOR LOCK REAR FLANGE
42	R58004781	1	DOOR HANDLE HOOK
43	R61040272	1	DOOR HANDLE HOOK SCREW
44	R61420021	1	ELASTIC WASHER
45	R11205381	1	LOWER DOOR ROD
46	R11205370	1	UPPER DOOR ROD
47	R11436300	1	CLOSING PLATE
48	R65491250	1	CLOSING PLATE SPRING ASSEMBLY
49	R58006860	2	CLOSING PLATE RORAZIONE PIVOT
50	R80100910	0,65mt	CLOSING PLATE GASKET



POS.	CODE	PIECES	DESCRIPTION
1	R58003840	2	MOTOR GASKET BRASS FLANGE
2	R58003850	2	MOTOR GASKET BRASS COUNTER FLANGE
3	R58004000	2	FAN SCREW M12x1.5 SX
4	R58004010	2	FAN WASHER Ø 30/12.5
5	R61020562	2	FAN SCREW TE A2 M6x55
6	*R65040530	2	MOTOR 055 KW 200/440V KIT
7	R65060050	1	COMPONENTS VENTILATION MOTOR Ø 120
8	R65060060	1	COMPONENTS VENTILATION MOTOR Ø 150
9	R65070350	1	CHAMBER SAFETY THERMOSTAT
10	R65070081	1	STEAM GENERATOR SAFETY THERMOSTAT
11	R65095000	1	DAMPER SYSTEM
12	R65110280	1	SOLENOID VALVE 220V 50HZ
13	R65110200	1	SOLENOID VALVE 220V 50HZ
14	R65110510	1	15 LT/H WATER FLOW REDUCER
15	R63060140	3	BURNER IGNITION PANEL UNTIL N=5207
16	R63060160	3	BURNER IGNITION PANEL FROM N=0108
17	R65180270	3	IGNITION TRANSFORMER FROM N=0108
18	R65140830	1	TOP INVERTER 0,8KW
19	R65140890	1	INVERTER 0,8KW ECS P0010205-0 FROM 11/04/2011
19	R65140850	1	LOWER INVERTER 0,8KW

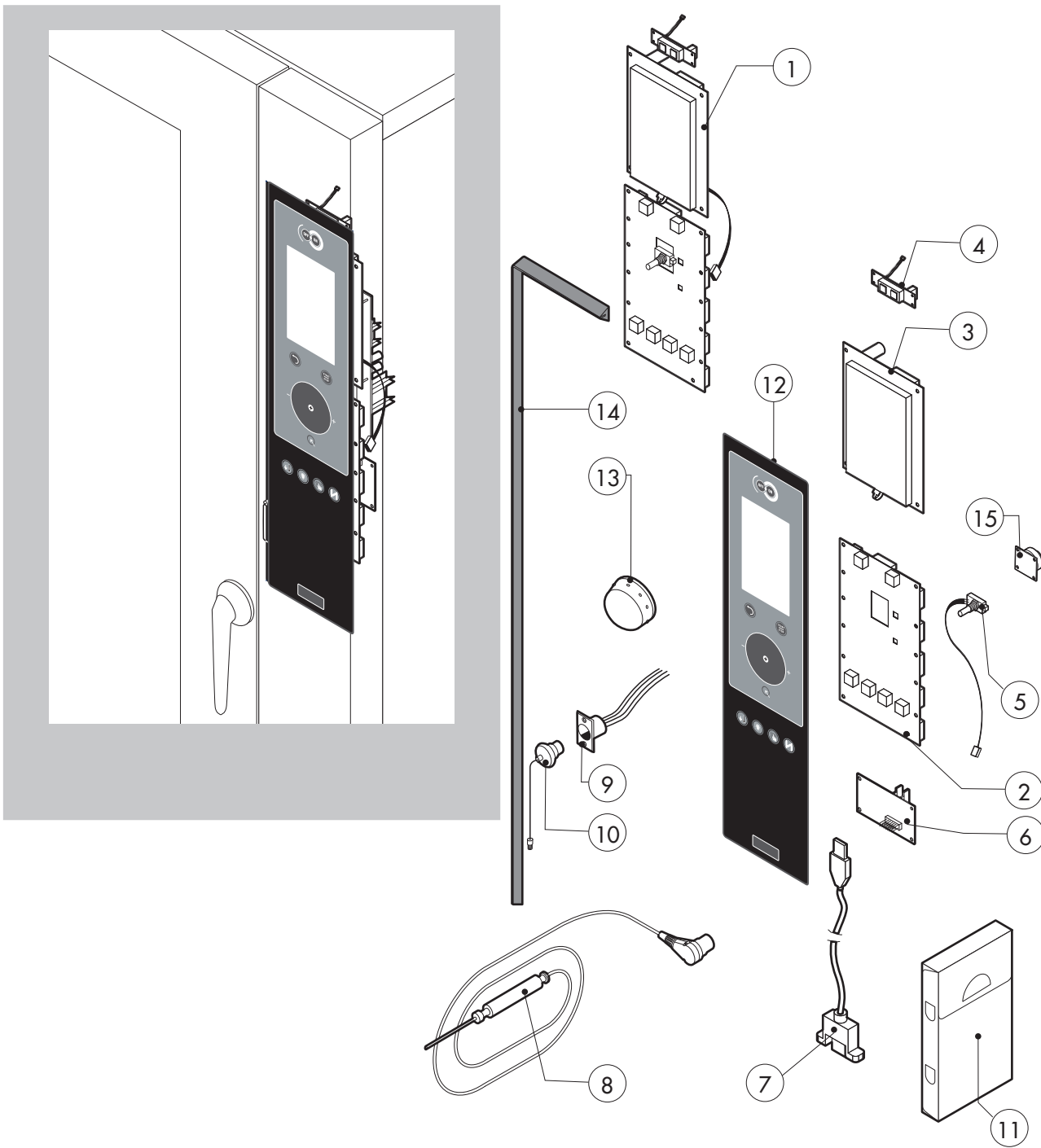
POS.	CODE	PIECES	DESCRIPTION
20	*R65140380	1	CONTACTOR 3RT1016-1AP02 240V
21	R65180430	1	TRANSFORMER 40VA
22	R65180420	2	TRANSFORMER 20VA
23	R65200380	2	FUSE 8A
24	R65200200	1	FUSE 2A
25	R65200160	3	FUSE 1A
26	R65200350	1	FUSE 0.400A (T)
27	R65200086	2	FUSE 0.125A (T)
28	R65210020	9	FUSE CARRIER
29	R65220220	1	TERMINAL BOARD
30	R65265100	1	DOOR SWITCH
31	*R65280230	1	INTERFERENCE SUPPRESSOR
32	*R65280480	2	FERRITE FT25
33	*R65280490	1	FERRITE FT35
34	*R65450200	2	INDUCTANCE
35	R65320220	2	PROBE K 1,5 MT
36	R65320230	1	PROBE K 3 MT
37	R70020050	2	MOTOR GASKET
38	*R75400440	2	FAN Ø 350x114/12 50HZ P.D. KIT

\*COMPONENT SUBMITTED TO CHANGEMENTS CAUSED BY TENSION DIFFERENT FROM THE STANDARD (3N AC 400V 50HZ)



POS.	CODE	PIECES	DESCRIPTION
1	R11100270	1	DAMPER SYSTEM CAP
2	R11222200	1	STEAM GENERATOR ASSEMBLY
3	R10201710	1	DRAIN FILTER
4	R69150110	1	STEAM GENERATOR DESCALING CAP 1"1/4 F
5	R58006130	2	STEAM QUENCHING NOZZLE Ø 1
6	R11222050	1	TOP HEAT EXCHANGER ASSEMBLY
7	R11222060	1	LOWER HEAT EXCHANGER ASSEMBLY
8	R11218001	2	BURNER ASSEMBLY
9	R18210581	1	STEAM GENERATOR BURNER
10	R66605820	2	FLAME IGNITION CABLE/FLAME SENSOR CABLE
11	R66605800	1	FLAME IGNITION CABLE/FLAME SENSOR CABLE
12	R63050130	9	IGNITOR
13	R63020170	3	GAS SOLENOID VALVE
14	R63120030	2	VENTURI TUBE
15	R63120040	1	VENTURI TUBE
16	R65060360	3	GAS BURNER FAN MOTOR
17	R77700056	3 MT	AIR INLET FLEXIBLE PIPE
18	R63140080	4	BURNER/HEAT EXCHANGER GASKET
19	R63140010	4	HEAT EXCHANGER GASKET
20	R63140060	1	BOILER/BURNER EXCHANGER GASKET

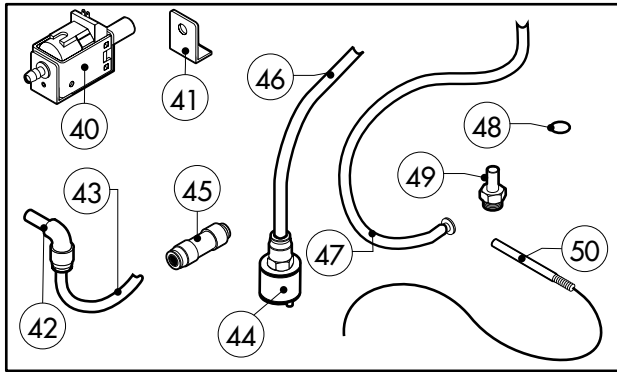
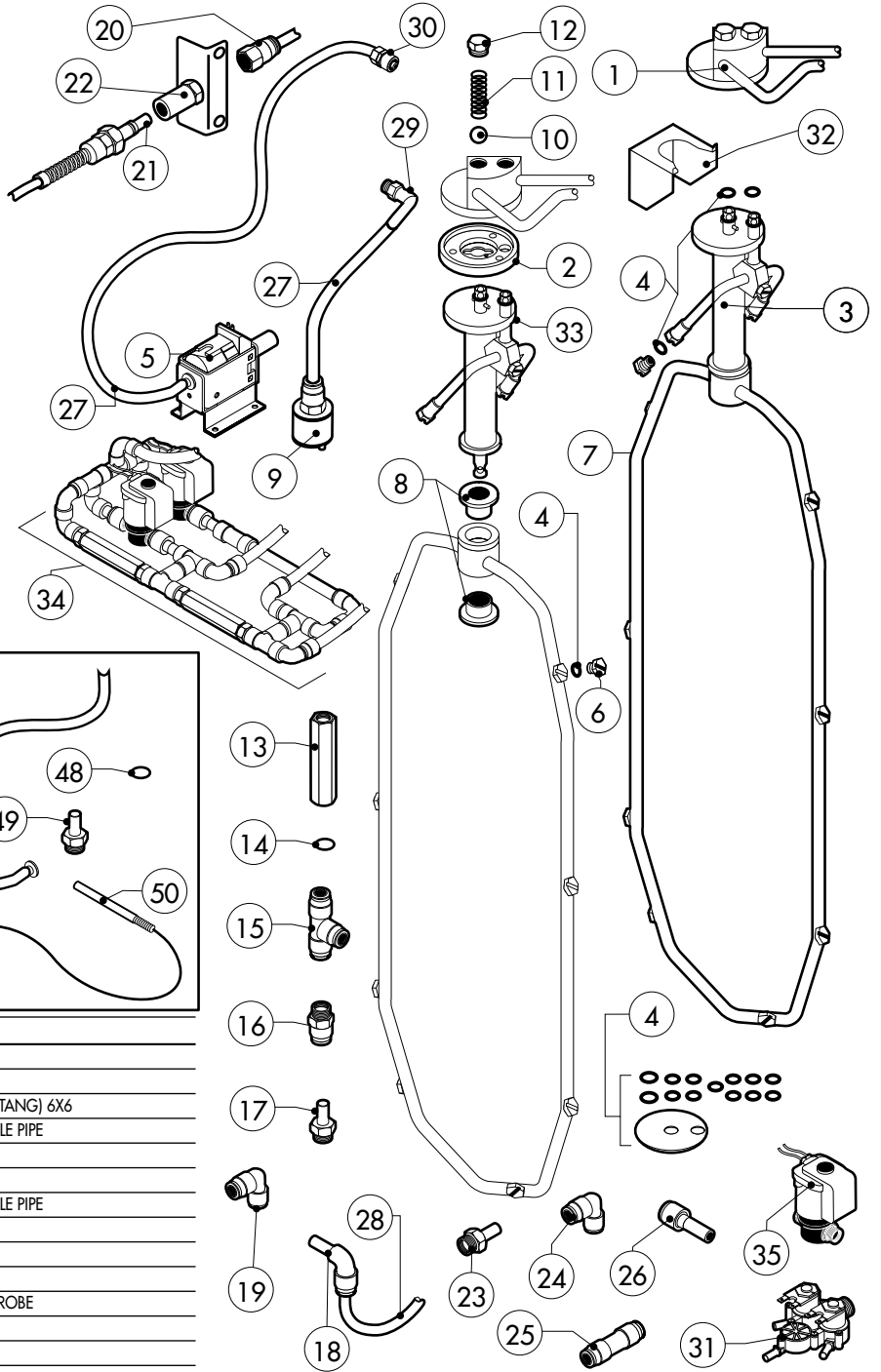
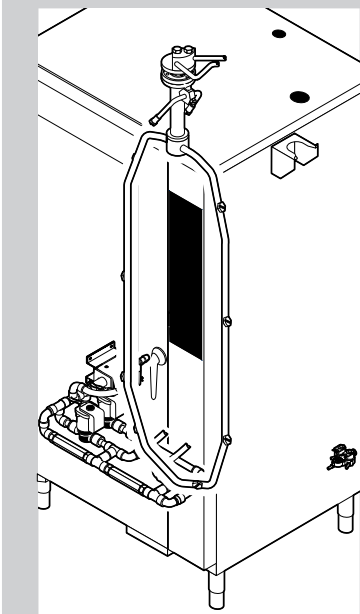
POS.	CODE	PIECES	DESCRIPTION
21	R63140050	6	BURNER/FAN MOTOR GASKET
22	R11430350	2	ORIFICE D.18
23	R11430340	1	ORIFICE D.22
24	R62180082	3	GAS INLET FLEXIBLE PIPE
25	R62180022	1	FLEXIBLE PIPE FOR BOILER DISCALING
26	R63070010	1	GAS SAFETY PRESSURE SWITCH PG 901.61
27	R61630011	2	METAL CLAMPS 12-22/9
28	R61630091	2	METAL CLAMPS 140-160/9
29	R61630031	4	METAL CLAMPS 40-60/9
30	R65110560	1	STEAM GENERATOR DRAIN MOTORIZED VALVE
31	R65320010	2	STEAM GENERATOR LEVEL PROBE
32	R70060100	1	DAMPER SYSTEM CAP GASKET
33	R70060040	2	SILICON COUPLING Ø 50
34	R70060080	1	SILICON COUPLING Ø 13
35	R62090478	6	ELBOW MIDDLING PIPE FITTING D.10
36	R62090468	1	"T" MIDDLING PIPE FITTING D.10
37	R62090458	1	STRAIGHT MIDDLING PIPE FITTING D.10
38	R70070040	1	PE D.10 MM X7 WATER FLEXIBLE PIPE (4 MT LONG)
39	R58004190	2	ORIFICE D.4
40	R58004220	1	ORIFICE D.4,2
41	R69180100	1	QUENCHING-DRAIN COLLECTOR



POS.	CODE	PIECES	DESCRIPTION
1	R65301900	1	iCONTROL PANEL P.C. BOARD "X" MOD
2	R65301910	1	MAIN PC BOARD "X" MOD
3	R65301920	1	LCD-DISPLAY PC BOARD
4	R65301930	1	ON/OFF PC BOARD
5	R65301940	1	FRONT PC BOARD ENCODER
6	R65301950	2	BOILER CONTROL PC BOARD
7	R65301970	1	PC BOARD CONNECTION USB
8	R65321100	1	CORE TEMPERATURE PROBE
9	R65321110	1	CORE TEMPERATURE PROBE FEMALE CONNECTOR
10	R65321020	1	COVER FOR FEMALE CONNECTOR
11	R86020420	1	CORE TEMPERATURE PROBE BOX
12	R67013900	1	LAINOX PLATE "X"
13	R69030270	1	KNOB
14	R70044280	1	CONTROL PANEL GASKET
15	R65301960	1	PC BOARD BUZZER

POS.	CODE	PIECES	DESCRIPTION





POS.	CODE	PIECES	DESCRIPTION
40	R65110620	1	PUMP
41	R65110630	2	PUMP HOLDER
42	R62090808	2	ELBOW PIPE FITTING (WITH TANG) 6X6
43	R80150050	1,6 mt	PE D.6 MM X4 WATER FLEXIBLE PIPE
44	R65110650	1	VALVE
45	R62090798	2	REDUCTION
46	R80150020	2	PE D.8 MM X6 WATER FLEXIBLE PIPE
47	R11429630	1	CALOUT FLEXIBLE PIPE
48	R62070023	1	BICONE D.6
49	R62060223	1	NUF D. 6
50	R65320010	1	STEAM GENERATOR LEVEL PROBE

POS.	CODE	PIECES	DESCRIPTION
1	R11200881	1	WASHING SYSTEM EXTERNAL ASSEMBLY
2	R58004960	1	WASHING SYSTEM INNER FLANGE
3	R11100530	1	WASHING DEVICE ASSEMBLY
4	R70045110	1	GASKETS KIT
5	R65110600	1	DETRGENT PUMP
6	R62210032	8	1,3 L/MIN RINSING JET
7	R62210042	3	0,56 L/MIN DETERGENT JET
8	R58004980	2	WASHING DEVICE ROTATION BUSH
9	R65110650	1	BOTTOM FILTER
10	R62220012	2	SPHERA D.14
11	R61620041	2	SPRING
12	R58005000	2	1/2" MALE COVER
13	R65110640	2	ANTI-BACK FLOW
14	R70010050	4	OR GASKETS
15	R62090468	5	"T" MIDDLING PIPE FITTING D.10
16	R62090508	1	10X1/4 STRAIGHT THREADED TERMINAL PIPE FITTING
17	R62090518	3	10X1/4 END SIDE PIPE FITTING (WITH TANG)
18	R62090528	10	ELBOW PIPE FITTING (WITH TANG) 10 X 10
19	R62090478	4	ELBOW MIDDLING PIPE FITTING D.10

POS.	CODE	PIECES	DESCRIPTION
20	R62090538	1	1/4" FEMALE STRAIGHT PIPE FITTING FOR D.8X6 PIPE
21	R62090482	1	RAPID MALE PIPE FITTING
22	R62090492	1	RAPID FEMALE PIPE FITTING
23	R62090608	2	8X1/8 END SIDE PIPE FITTING (WITH TANG)
24	R62090628	1	10-8 ELBOW REDUCTION
25	R62090458	2	STRAIGHT MIDDLING PIPE FITTING D.10
26	R62090548	4	10-6 REDUCTION PIPE FITTING
27	R70070100	1	PE D.8 MM X 6 DETERGENT FLEXIBLE PIPE
28	R70070040	1	PE D.10 MM X7 WATER FLEXIBLE PIPE (4 MT LONG)
29	R62090648	1	ELBOW PIPE FITTING
30	R62090658	1	1/8" FEMALE STRAIGHT PIPE FITTING FOR D.8X6 PIPE
31	R65110240	1	SOLENOID VALVE 220V 50HZ WITH FLOW REDUCER
32	R11402000	1	WASHING DEVICE EXTERNAL HOLDER
33	R11100580	1	TUBE DEVICE SUPPORT WASHING
34	R62300028	1	ANTI-BACK FLOW DEVICE ASSEMBLY
35	R65110260	2	SOLENOID VALVE D.6 220V 50HZ