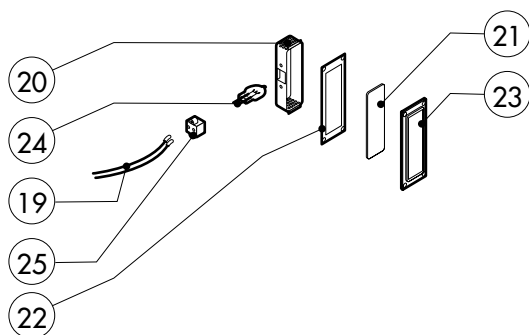
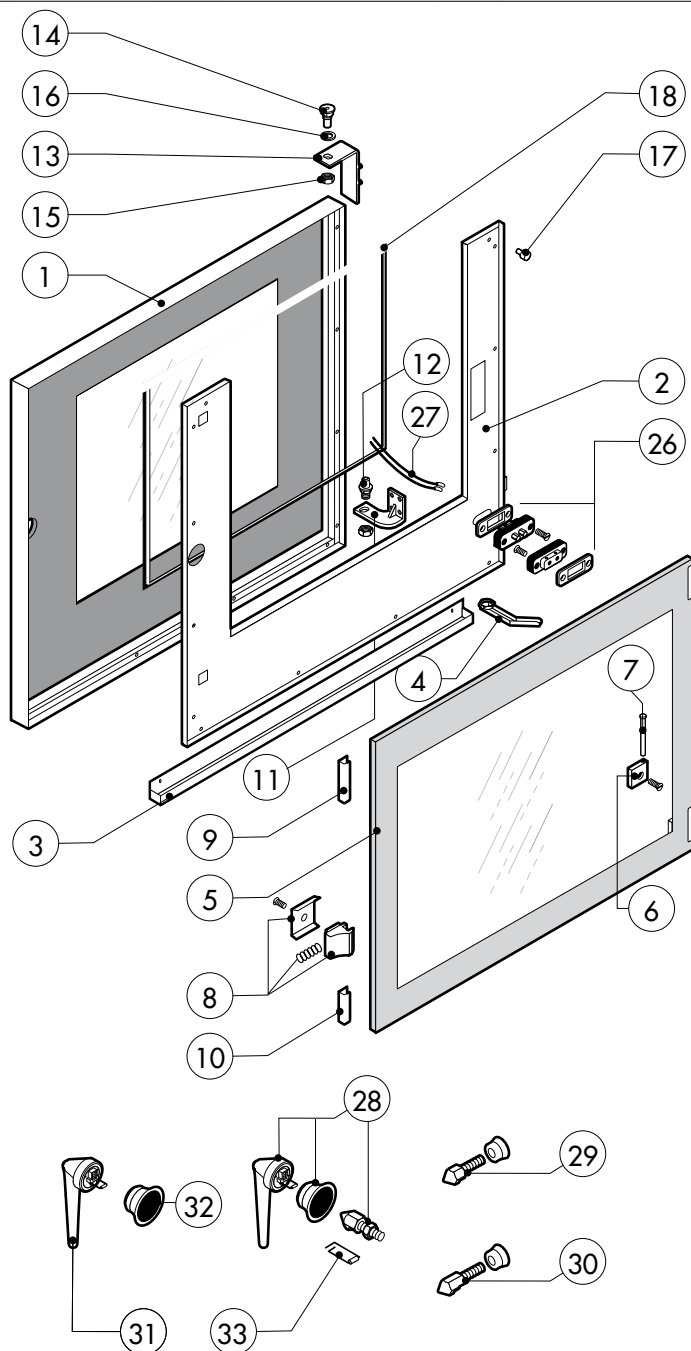
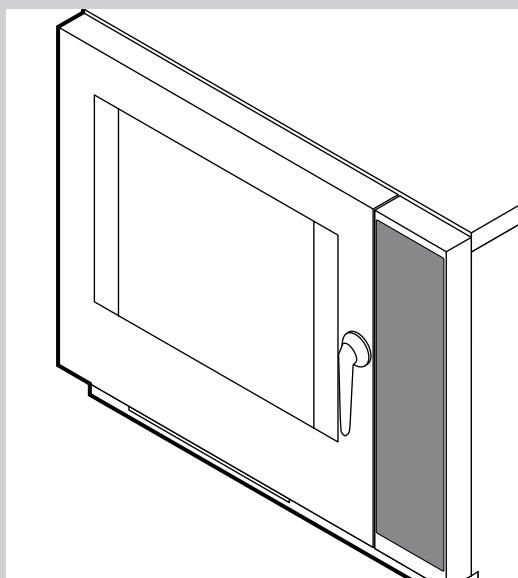


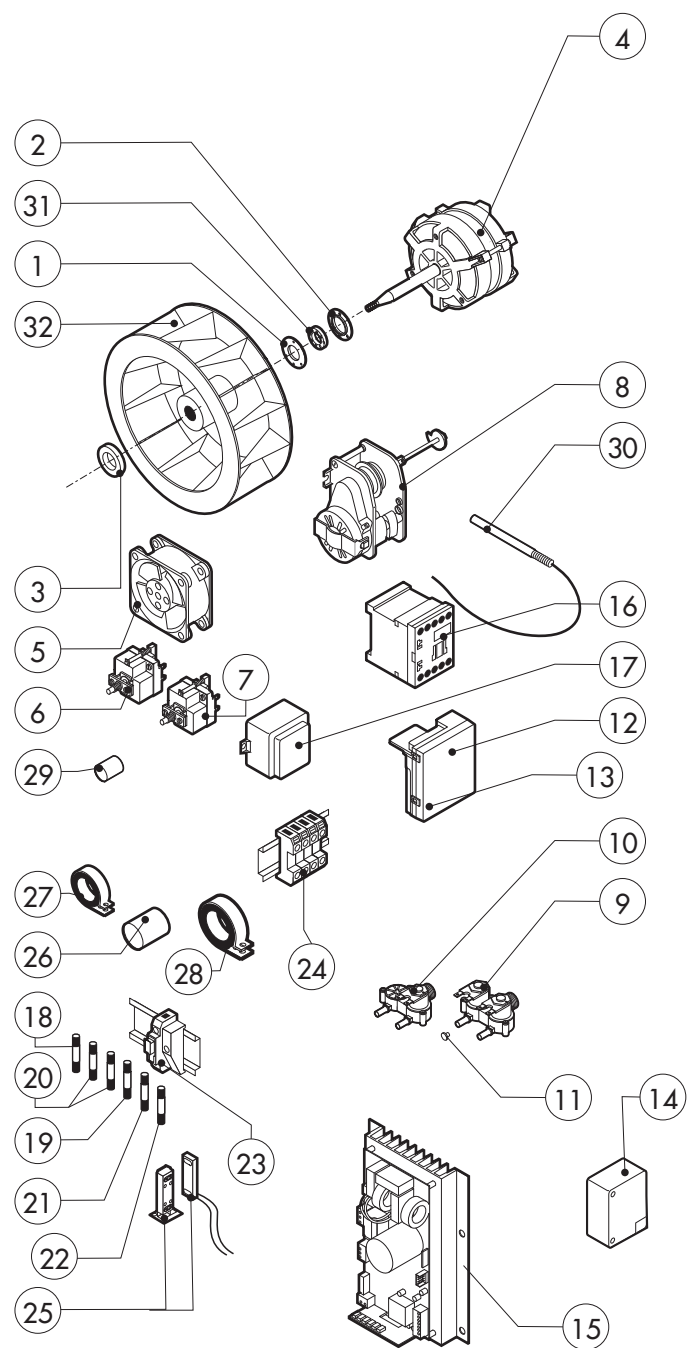
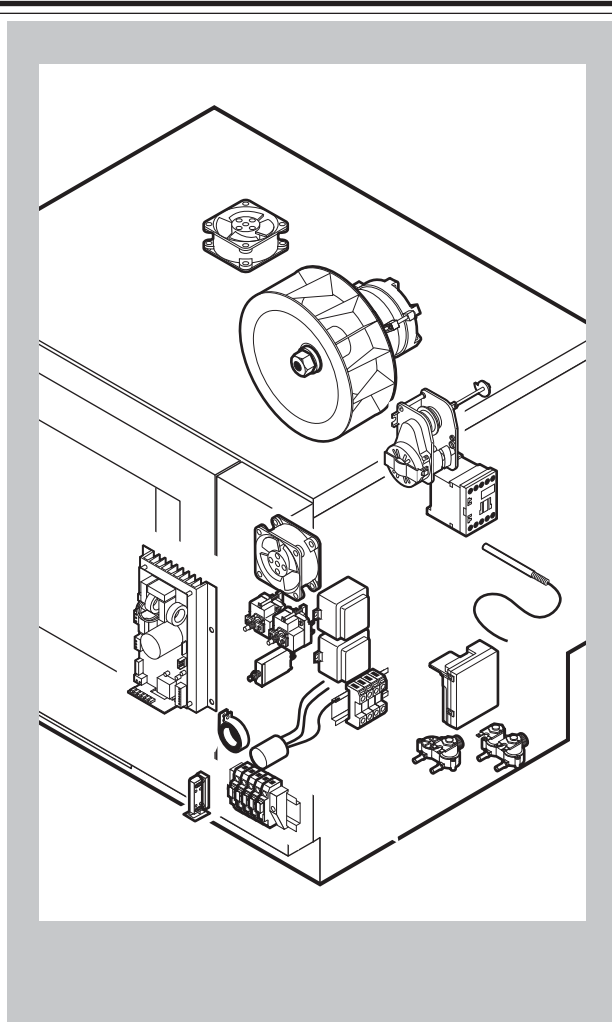
POS.	CODE	PIECES	DESCRIPTION
1	R11101120	1	DOOR ASSEMBLY
2	R11215500	1	CONTROL PANEL
3	R11200650	1	SPRITZER EXTENSION
4	R11202270	1	SPRITZER UNION
5	R11201001	1	COOKING CABINET ASSEMBLY
6	R11201011	1	COOKING CABINET ASSEMBLY
7	R11200350	1	FAN GUARD PANEL ASSEMBLY
8	R11200710	1	RIGHT SIDE PANEL
9	R11200750	1	LEFT SIDE PANEL
10	R11401970	1	REAR PANEL
11	R11216100	1	COVER PANEL
12	R58003110	2	FAN GUARD FASTENING SCREW
13	R70044100	1	FRONT GASKET
14	R75300030	1	FAN GUARD GRID Ø 190
15	R69180150	1	DRIP TRAY
16	R11200420	1	REMOVABLE RACK DX
17	R11200430	1	REMOVABLE RACK SX
18	R62200131	1	SHOWER KIT
19	R62200133	1	SHOWER HANDLE

POS.	CODE	PIECES	DESCRIPTION



POS.	CODE	PIECES	DESCRIPTION
1	R11101420	1	DOOR
2	R11215400	1	INNER DOOR PANEL
3	R69180160	1	INNER DOOR PANEL DRIP TRAY
4	R69180000	1	DOOR DRIP TRAY DRAINAGE
5	R11100130	1	INNER DOOR GLASS
6	R58001760	2	INNER GLASS SOLID HINGE
7	R58001770	2	INNER GLASS HINGE PIN
8	R58001780	2	INNER GLASS CATCH KIT
9	R11401340	1	TOP "C" PROFILE
10	R11401360	1	LOWER "C" PROFILE
11	R11207240	1	LOWER DOOR HINGE
12	R58002670	1	LOWER HINGE PIN
13	R11200560	1	UPPER DOOR HINGE
14	R58002150	2	HINGE PIN
15	R58004050	1	NUT FOR UPPER DOOR HINGE
16	R10401710	1	WASHER FOR UPPER DOOR HINGE
17	R70050100	6	GLASS SILICON SPACERS
18	R70044150	1	GLASS GASKET
19	R66110310	1	DOOR LAMPS CABLE SET

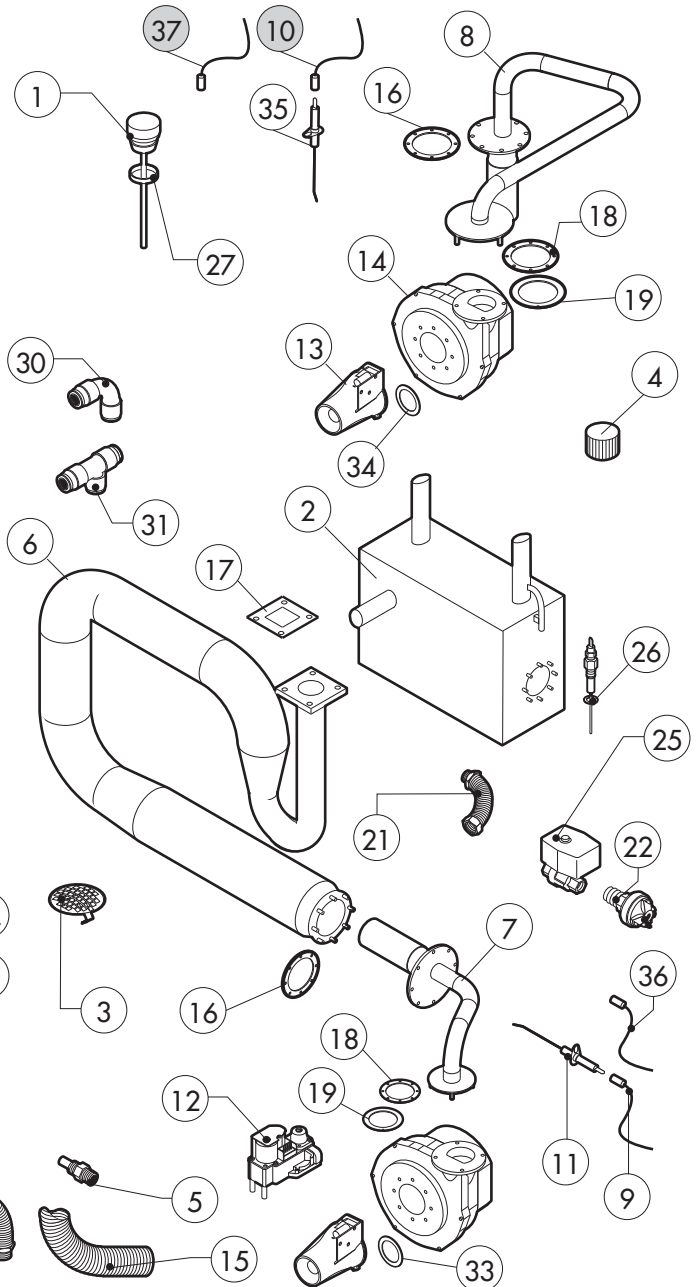
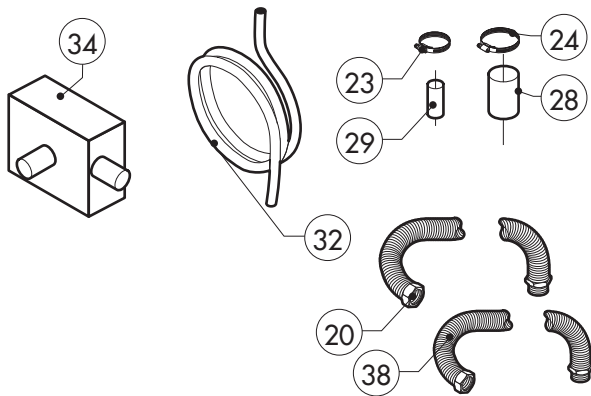
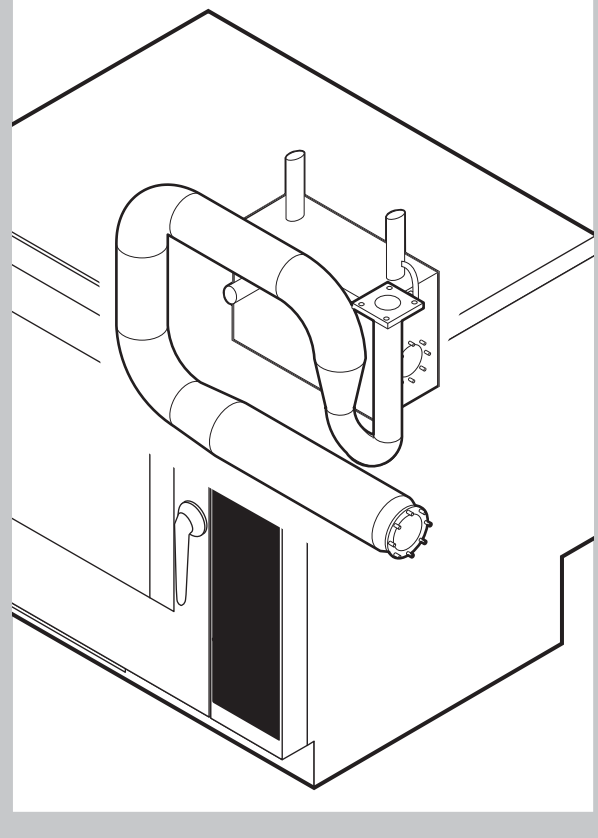
POS.	CODE	PIECES	DESCRIPTION
20	R11401440	1	LAMP COVER
21	R71500150	1	GLASS LAMP
22	R70044200	1	LAMP GASKET
23	R11401450	1	GLASS HOLDER LAMP FLANGE
24	R65270020	1	LIGHT 20W 12V G4
25	R65270450	1	LIGHT SOCKET
26	R65260750	1	LAMPS CONTACT BLOCK
27	R66110300	1	LAMPS CONTACT CABLE SET
28	R11100300	1	DOOR HANDLE ASSEMBLY
29	R69010260	1	DOOR LATCH 1 STEP
30	R69010270	1	DOOR LATCH 2 STEP
31	R69010250	1	DOOR CATCH KIT
32	R69010630	1	INNER DOOR CATCH PLASTIC COVER
33	R61620132	1	PRONG FLANGE



POS.	CODE	PIECES	DESCRIPTION
1	R58003860	1	MOTOR GASKET BRASS FLANGE
2	R58003870	1	MOTOR GASKET BRASS COUNTER FLANGE
3	R61400052	1	FAN WASHER Ø 21/10.5
4	*R65040600	1	MOTOR 025KW 220/240V KIT
5	R65060050	2	COMPONENTS VENTILATION MOTOR Ø 120
6	R65070350	1	CHAMBER SAFETY THERMOSTAT
7	R65070081	1	STEAM GENERATOR SAFETY THERMOSTAT
8	R65095000	1	DAMPER SYSTEM
9	R65110210	1	SOLENOID VALVE 220V 50HZ
10	R65110230	1	SOLENOID VALVE 220V 50HZ
11	R65110500	1	10 LT/H WATER FLOW REDUCER
12	R63060140	2	BURNER IGNITION PANEL UNTIL N=5207
13	R63060160	2	BURNER IGNITION PANEL FROM N=0108
14	R65180270	2	IGNITION TRANSFORMER FROM N=0108
15	R65140840	1	INVERTER 0,4KW
	R65140890	1	INVERTER 0,8KW ECS P0010205-0 FROM 11/04/2011
16	*R65140380	1	CONTACTOR 3RT1016-1AP02 240V
17	R65180420	3	TRANSFORMER 20VA
18	R65200240	1	FUSE 5A

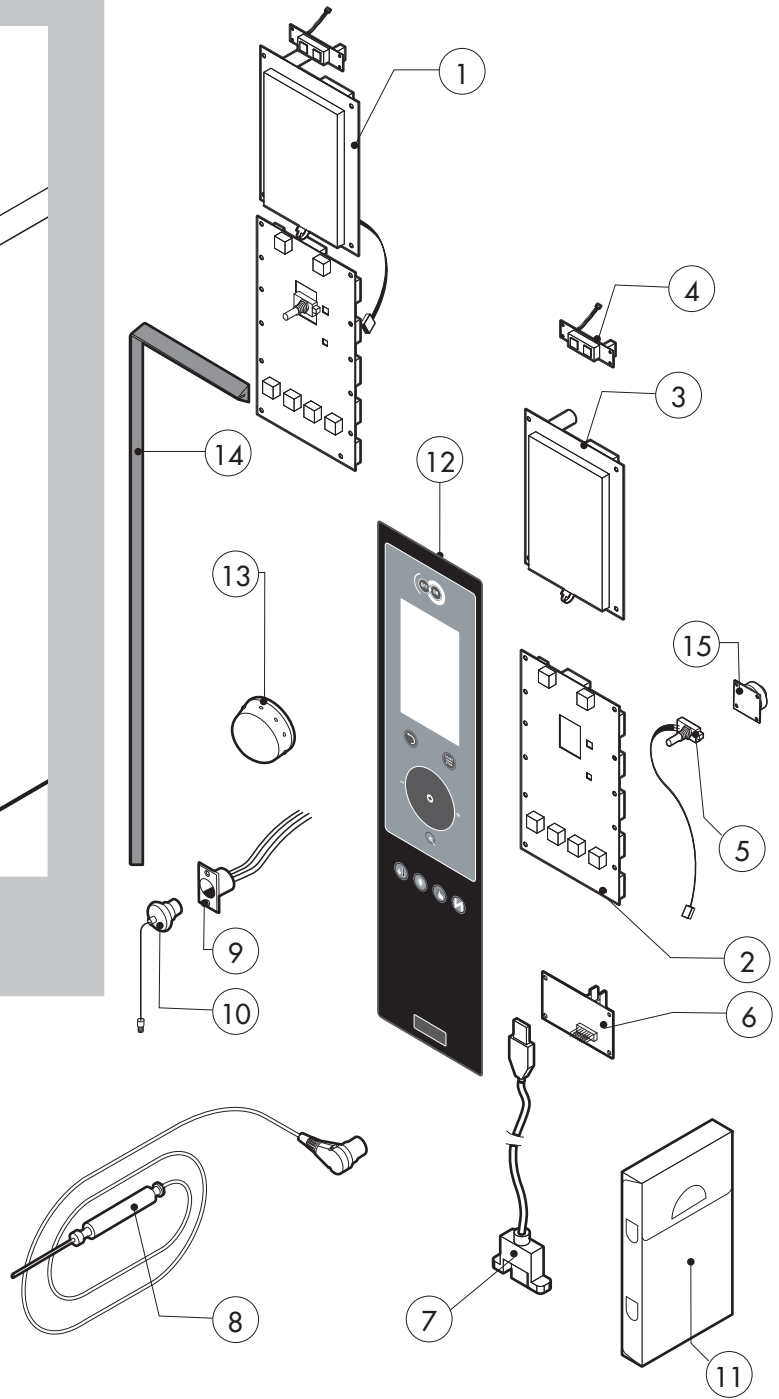
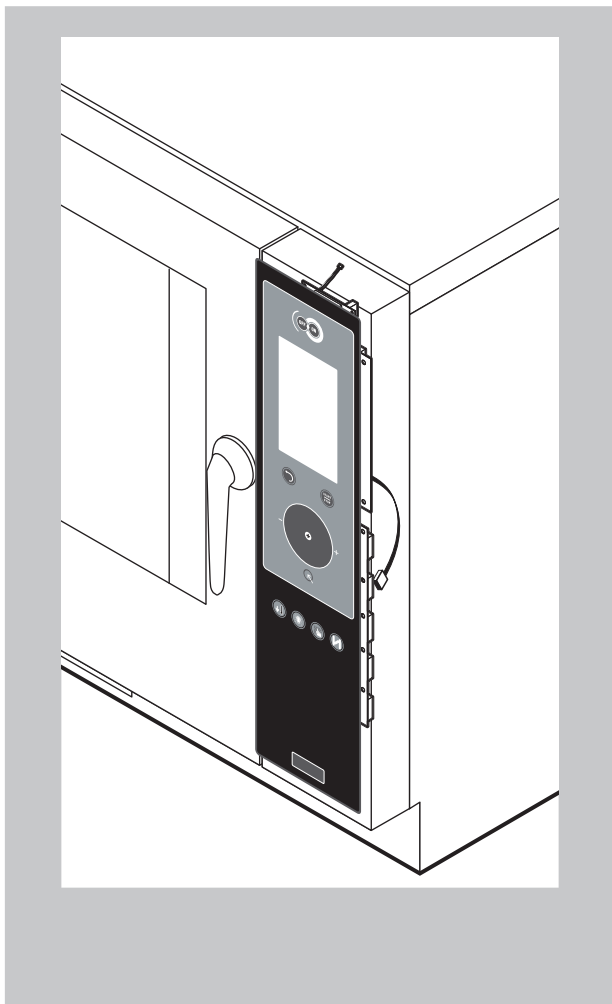
POS.	CODE	PIECES	DESCRIPTION
19	R65200200	1	FUSE 2A
20	R65200160	2	FUSE 1A
21	R65200320	1	FUSE 0.200A (T)
22	R65200086	2	FUSE 0.125A (T)
23	R65210020	7	FUSE CARRIER
24	R65220280	1	TERMINAL BOARD
25	R65265100	1	DOOR SWITCH
26	*R65280230	1	INTERFERENCE SUPPRESSOR
27	*R65280480	1	FERRITE FT25
28	*R65280490	1	FERRITE FT35
29	*R65450200	1	INDUCTANCE
30	R65320220	3	PROBE K
31	R70020040	1	MOTOR GASKET
32	*R75400490	1	FAN Ø 220x80/8 50HZ P.D. KIT

*COMPONENT SUBMITTED TO CHANGEMENTS CAUSED BY TENSION DIFFERENT FROM THE STANDARD (3N AC 400V 50HZ)



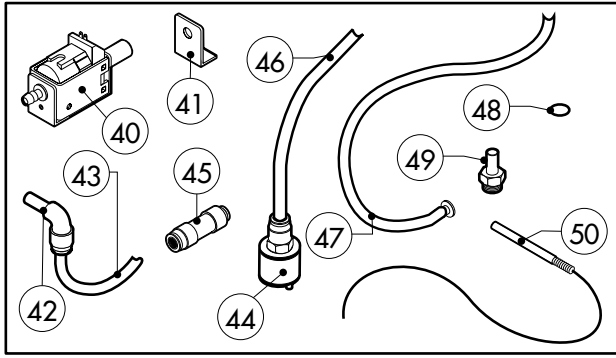
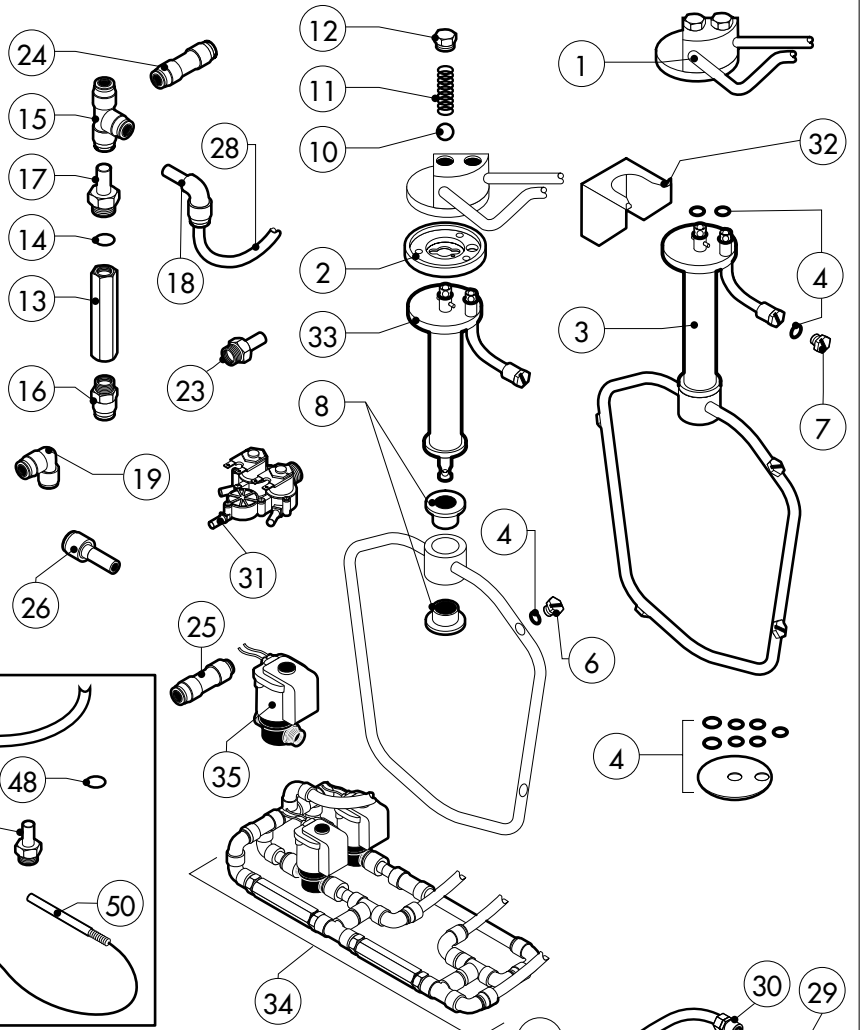
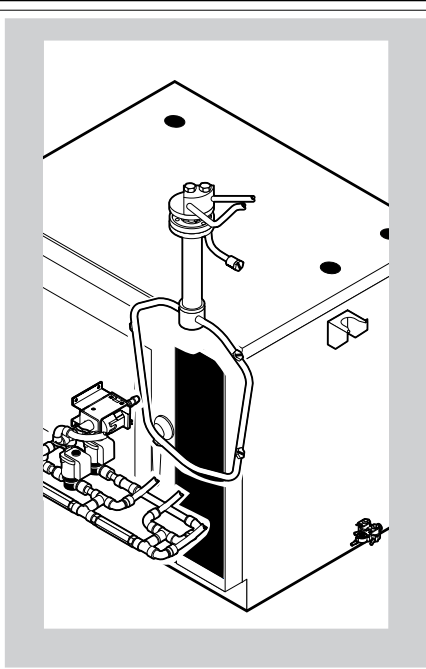
POS.	CODE	PIECES	DESCRIPTION
1	R10100140	1	DAMPER SYSTEM CAP
2	R11216000	1	STEAM GENERATOR ASSEMBLY
	R11216041	1	STEAM GENERATOR ASSEMBLY FROM 01.04.2010
3	R10201700	1	DRAIN FILTER
4	R69150110	1	STEAM GENERATOR DESCALING CAP 1"1/4 F
5	R58006130	2	STEAM QUENCHING NOZZLE Ø 1
6	R11216050	1	HEAT EXCHANGER ACCESSORIES INCLUDED
7	R11216021	1	COOKING CABINET BURNER
8	R11216011	1	STEAM GENERATOR BURNER
	R11216030	1	STEAM GENERATOR BURNER
9	R66605820	1	FLAME IGNITION CABLE/FLAME SENSOR CABLE FROM 01.02.2007 UNTIL 01.03.2007
	R66605821	1	FLAME IGNITION CABLE/FLAME SENSOR CABLE FROM 01.03.2007 UNTIL 01.04.2011
	R66605821	2	FLAME IGNITION CABLE/FLAME SENSOR CABLE FROM 01.04.2011
10	R66605800	1	FLAME IGNITION CABLE/FLAME SENSOR CABLE FROM 01.02.2007 UNTIL 01.03.2007
	R66605801	1	FLAME IGNITION CABLE/FLAME SENSOR CABLE FROM 01.03.2007 UNTIL 01.04.2011
11	R63050130	6	IGNITOR FROM 01.02.2007 UNTIL 01.06.2010
	R63050130	3	IGNITOR FROM 01.06.2010
12	R63020170	2	GAS SOLENOID VALVE
13	R63120020	2	VENTURI TUBE
14	R65060360	2	GAS BURNER FAN MOTOR
15	R77700056	2 MT	AIR INLET FLEXIBLE PIPE
	R77700056	1 MT	AIR INLET FLEXIBLE PIPE FROM 01.02.2011
16	R63140070	3	BURNER/HEAT EXCHANGER GASKET
17	R63140010	2	BOILER/HEAT EXCHANGER GASKET
18	R63140050	4	BURNER/FAN MOTOR GASKET

POS.	CODE	PIECES	DESCRIPTION
19	R11430360	2	ORIFICE D.13
20	R62180082	1	GAS INLET FLEXIBLE PIPE FROM 05.04.2002 UNTIL 12.01.2011
	R62180142	1	GAS INLET FLEXIBLE PIPE FROM 12.01.2011
21	R62180022	1	FLEXIBLE PIPE FOR BOILER DISCALING
22	R63070010	1	GAS SAFETY PRESSURE SWITCH PG 901.61
23	R61630011	2	METAL CLAMPS 12-22/9
24	R61630031	4	METAL CLAMPS 40-60/9
25	R65110560	1	STEAM GENERATOR DRAIN MOTORIZED VALVE
26	R65320010	2	STEAM GENERATOR LEVEL PROBE
27	R70060020	1	DAMPER SYSTEM CAP GASKET
28	R70060040	2	SILICON COUPLING Ø 50
29	R70060080	1	SILICON COUPLING Ø 13
30	R62090478	5	ELBOW MIDLING PIPE FITTING D.10
31	R62090468	1	"T" MIDLING PIPE FITTING D.10
32	R70070050	1	PE D.10 MM X7 WATER FLEXIBLE PIPE (3 MT LONG)
33	R58004170	2	ORIFICE
34	R69180100	1	QUENCHING-DRAIN COLLECTOR
35	R63050140	3	IGNITOR FROM 01.06.2010
36	R66605140	1	FLAME IGNITION CABLE/FLAME SENSOR CABLE FROM 01.03.2007 UNTIL 01.04.2011
	R66605140	2	FLAME IGNITION CABLE/FLAME SENSOR CABLE FROM 01.04.2011
37	R66605120	1	FLAME IGNITION CABLE/FLAME SENSOR CABLE FROM 01.03.2007 UNTIL 01.04.2011
38	R62180122	1	GAS INLET FLEXIBLE PIPE L=25-50CM FROM 05.04.2002 UNTIL 12.01.2011
	R62180152	1	GAS INLET FLEXIBLE PIPE L=100CM FROM 12.01.2011 UNTIL 01.02.2011
	R62180122	1	GAS INLET FLEXIBLE PIPE L=25-50CM FROM 01.02.2011



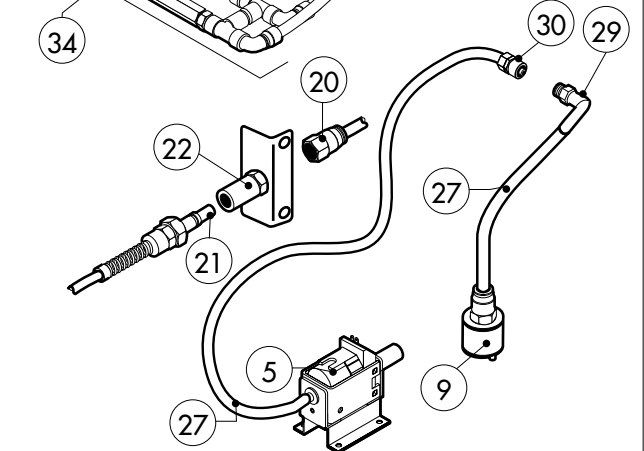
POS.	CODE	PIECES	DESCRIPTION
1	R65301900	1	CONTROL PANEL P.C. BOARD "X" MOD
2	R65301910	1	MAIN PC BOARD "X" MOD
3	R65301920	1	LCD-DISPLAY PC BOARD
4	R65301930	1	ON/OFF PC BOARD
5	R65301940	1	FRONT PC BOARD ENCODER
6	R65301950	1	BOILER CONTROL PC BOARD
7	R65301970	1	PC BOARD CONNECTION USB
8	R65321100	1	CORE TEMPERATURE PROBE
9	R65321110	1	CORE TEMPERATURE PROBE FEMALE CONNECTOR
10	R65321020	1	COVER FOR FEMALE CONNECTOR
11	R86020420	1	CORE TEMPERATURE PROBE BOX
12	R67013900	1	LAINOX PLATE "X"
13	R69030270	1	KNOB
14	R70044250	1	CONTROL PANEL GASKET
15	R65301960	1	PC BOARD BUZZER

POS.	CODE	PIECES	DESCRIPTION



POS.	CODE	PIECES	DESCRIPTION
40	R65110620	1	PUMP
41	R65110630	2	PUMP HOLDER
42	R62090808	2	ELBOW PIPE FITTING (WITH TANG) 6X6
43	R80150050	1,6 mt	PE D.6 MM X4 WATER FLEXIBLE PIPE
44	R65110650	1	VALVE
45	R62090798	2	REDUCTION
46	R80150020	2	PE D.8 MM X6 WATER FLEXIBLE PIPE
47	R11429630	1	CALOUT FLEXIBLE PIPE
48	R62070023	1	BICONE D.6
49	R62060223	1	NUFF D. 6
50	R65320010	1	STEAM GENERATOR LEVEL PROBE

POS.	CODE	PIECES	DESCRIPTION
1	R11200871	1	WASHING SYSTEM EXTERNAL ASSEMBLY
2	R58004960	1	WASHING SYSTEM INNER FLANGE
3	R11100500	1	WASHING DEVICE ASSEMBLY
4	R70045090	1	GASKETS KIT
5	R65110600	1	DETRGENT PUMP
6	R62210032	4	1,3 L/MIN RINSING JET
7	R62210042	1	0,56 L/MIN DETERGENT JET
8	R58004980	2	WASHING DEVICE ROTATION BUSH
9	R65110650	1	BOTTOM FILTER
10	R62220012	2	SPHERA D.14
11	R61620041	2	SPRING
12	R58005000	2	1/2" MALE COVER
13	R65110640	2	ANTI-BACK FLOW
14	R70010050	4	OR GASKETS
15	R62090468	5	"T" MIDLING PIPE FITTING D.10
16	R62090508	1	10X1/4 STRAIGHT THREADED TERMINAL PIPE FITTING
17	R62090518	3	10X1/4 END SIDE PIPE FITTING (WITH TANG)
18	R62090528	10	ELBOW PIPE FITTING (WITH TANG) 10 X 10
19	R62090478	4	ELBOW MIDLING PIPE FITTING D.10



POS.	CODE	PIECES	DESCRIPTION
20	R62090538	1	1/4" FEMALE STRAIGHT PIPE FITTING FOR D.8X6 PIPE
21	R62090482	1	RAPID MALE PIPE FITTING
22	R62090492	1	RAPID FEMALE PIPE FITTING
23	R62090608	1	8X1/8 END SIDE PIPE FITTING (WITH TANG)
24	R62090458	1	STRAIGHT MIDLING PIPE FITTING D.10
25	R62090618	1	10-8 REDUCTION PIPE FITTING
26	R62090548	4	10-6 REDUCTION PIPE FITTING
27	R70070100	1	PE D.8 MM X 6 DETERGENT FLEXIBLE PIPE
28	R70070050	1	PE D.10 MM X7 WATER FLEXIBLE PIPE (3 MT LONG)
29	R62090648	1	ELBOW PIPE FITTING
30	R62090658	1	1/8" FEMALE STRAIGHT PIPE FITTING FOR D.8X6 PIPE
31	R65110240	1	SOLENOID VALVE 220V 50HZ WITH FLOW REDUCER
32	R11402000	1	WASHING DEVICE EXTERNAL HOLDER
33	R11100560	1	TUBE DEVICE SUPPORT WASHING
34	R62300028	1	ANTI-BACK FLOW DEVICE ASSEMBLY
35	R65110260	2	SOLENOID VALVE D.6 220V 50HZ