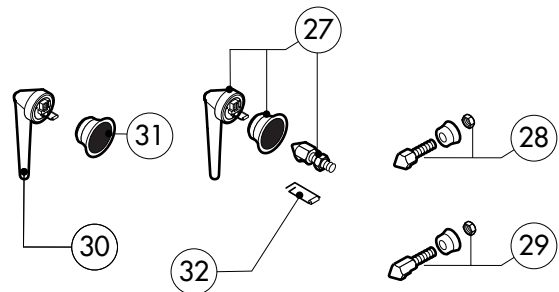
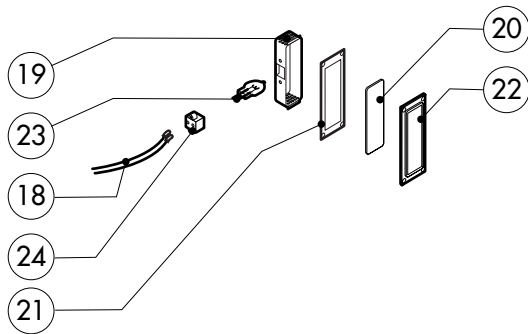
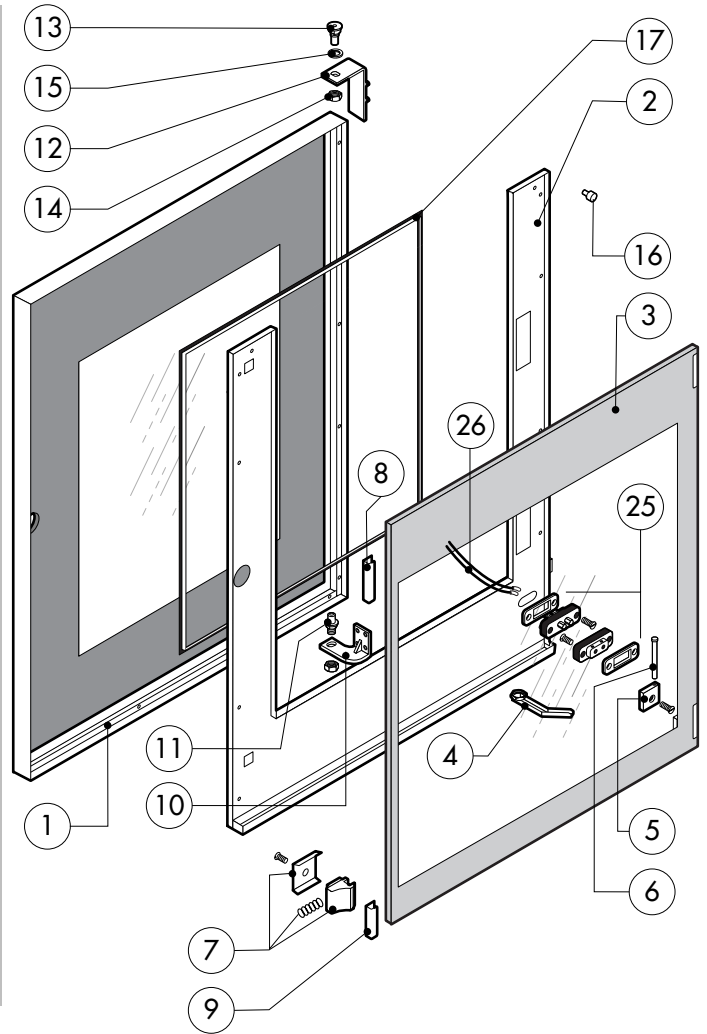
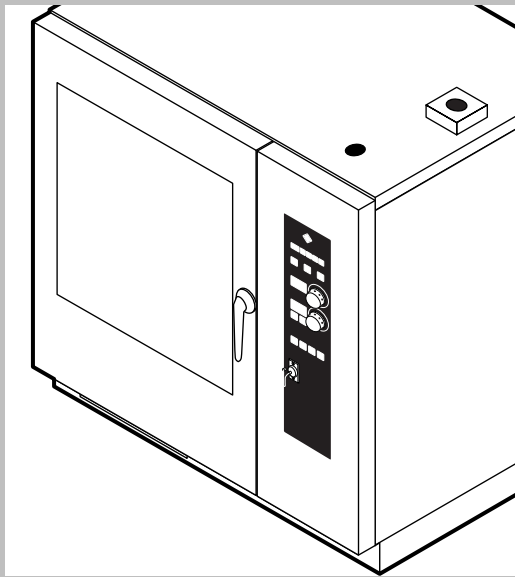


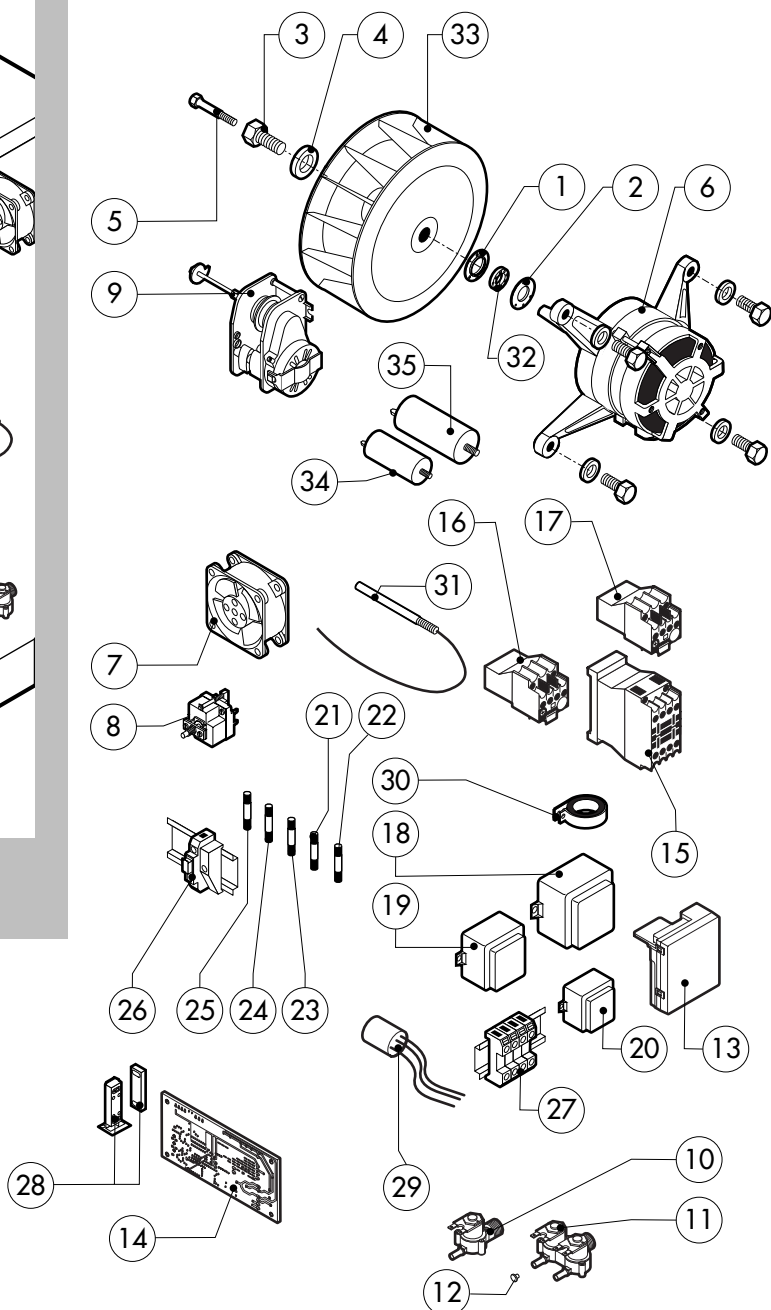
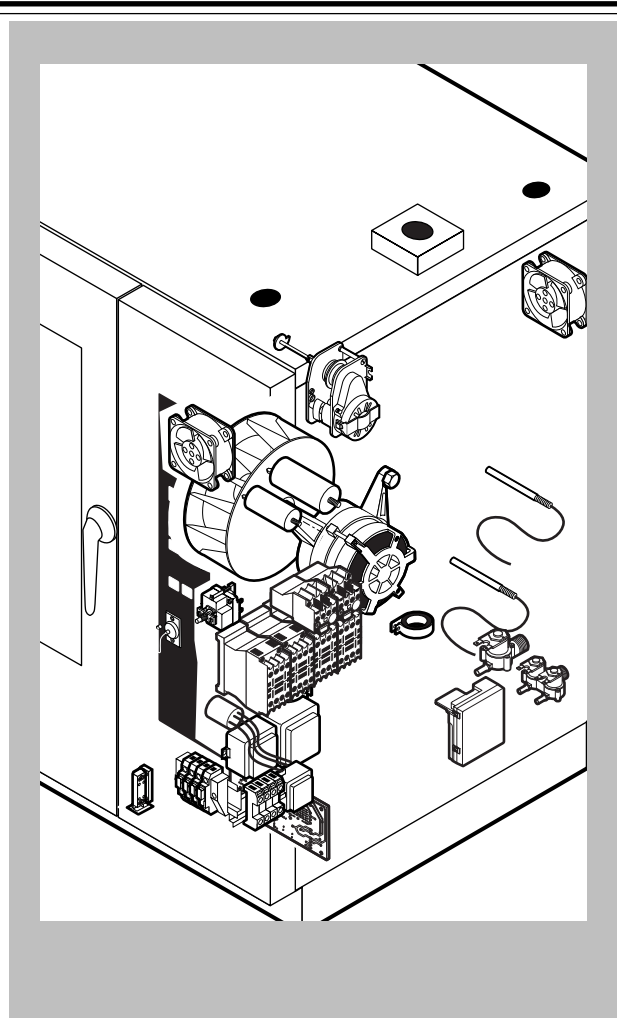
POS.	CODE	PIECES	DESCRIPTION
1	R11101060	1	DOOR ASSEMBLY UNTIL CRXXXXXX1
	R11101160	1	DOOR ASSEMBLY FROM CRXXXXXX2
2	R11207910	1	CONTROL PANEL UNTIL CRXXXXXX1
	R11203310	1	CONTROL PANEL FROM CRXXXXXX2
3	R11201980	1	SPRITZER EXTENSION
4	R11200380	1	SPRITZER UNION
5	R11203620	1	COOKING CABINET ASSEMBLY
6	R11203150	1	FAN GUARD PANEL ASSEMBLY
7	R11415690	1	RIGHT SIDE PANEL UNTIL CRXXXXXX1
	R11207760	1	RIGHT SIDE PANEL FROM CRXXXXXX2
8	R11415700	1	LEFT SIDE PANEL UNTIL CRXXXXXX1
	R11207770	1	LEFT SIDE PANEL FROM CRXXXXXX2
9	R11415720	1	REAR PANEL UNTIL CRXXXXXX1
	R11415730	1	REAR PANEL FROM CRXXXXXX2
10	R11208180	1	COVER PANEL UNTIL CRXXXXXX1
	R11208220	1	COVER PANEL FROM CRXXXXXX2
11	R11402980	1	DRAINAGE PIPE PROTECTION
12	R58003100	2	FAN GUARD FASTENING SCREW
13	R70044120	1	FRONT GASKET

POS.	CODE	PIECES	DESCRIPTION
14	R75300020	1	FAN GUARD GRID Ø 120
15	R75300090	1	FAN GUARD GRID Ø 350
16	R11203180	1	REMOVABLE RACK DX
17	R11203190	1	REMOVABLE RACK SX



POS.	CODE	PIECES	DESCRIPTION
1	R11101360	1	DOOR UNTIL CRXXXXXX1
	R11101450	1	DOOR FROM CRXXXXXX2
2	R11207360	1	INNER DOOR PANEL UNTIL CRXXXXXX1
	R11202160	1	INNER DOOR PANEL FROM CRXXXXXX2
3	R11100140	1	INNER DOOR GLASS
4	R69180000	1	DOOR DRIP TRAY DRAINAGE FROM CRXXXXXX2
5	R58001760	2	INNER GLASS SOLID HINGE
6	R58001770	2	INNER GLASS HINGE PIN
7	R58001780	2	INNER GLASS CATCH KIT
8	R11401340	1	TOP "C" PROFILE
9	R11401360	1	LOWER "C" PROFILE
10	R11207250	1	LOWER DOOR HINGE UNTIL CRXXXXXX1
	R11207240	1	LOWER DOOR HINGE FROM CRXXXXXX2
11	R58002520	1	LOWER HINGE PIN UNTIL CRXXXXXX1
	R58002670	1	LOWER HINGE PIN FROM CRXXXXXX2
12	R11200560	1	UPPER DOOR HINGE
13	R58002150	1	HINGE PIN
14	R58004050	2	NUT FOR UPPER DOOR HINGE
15	R10401710	1	WASHER FOR UPPER DOOR HINGE

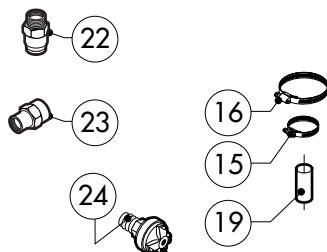
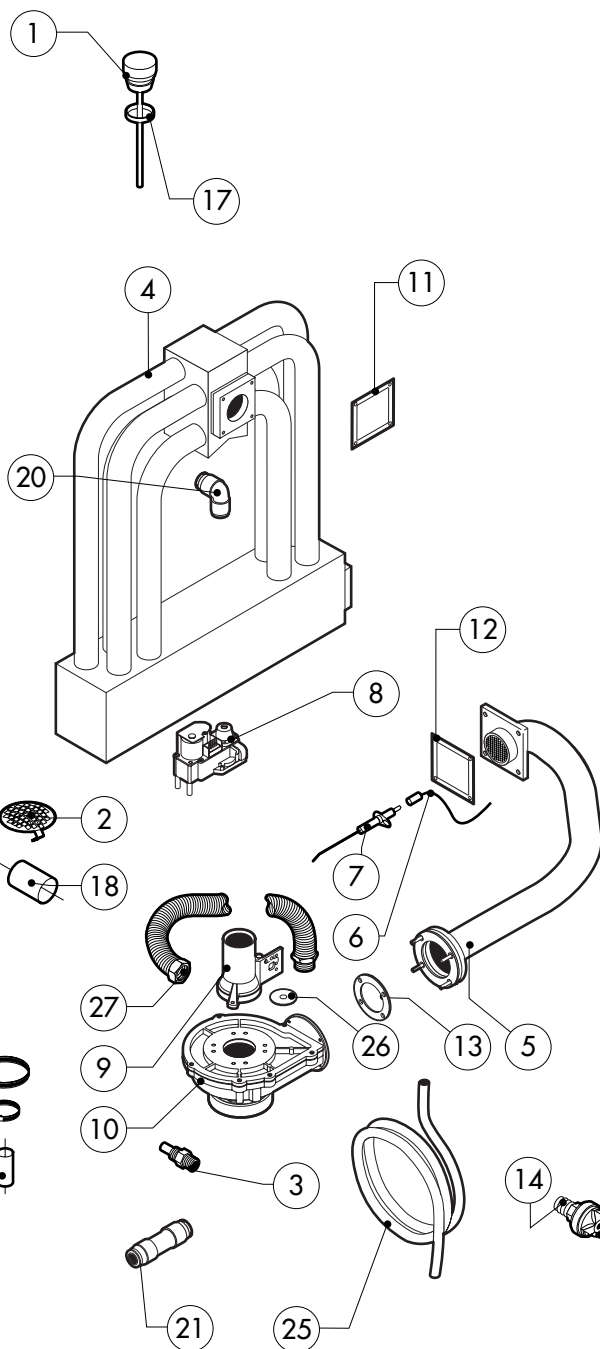
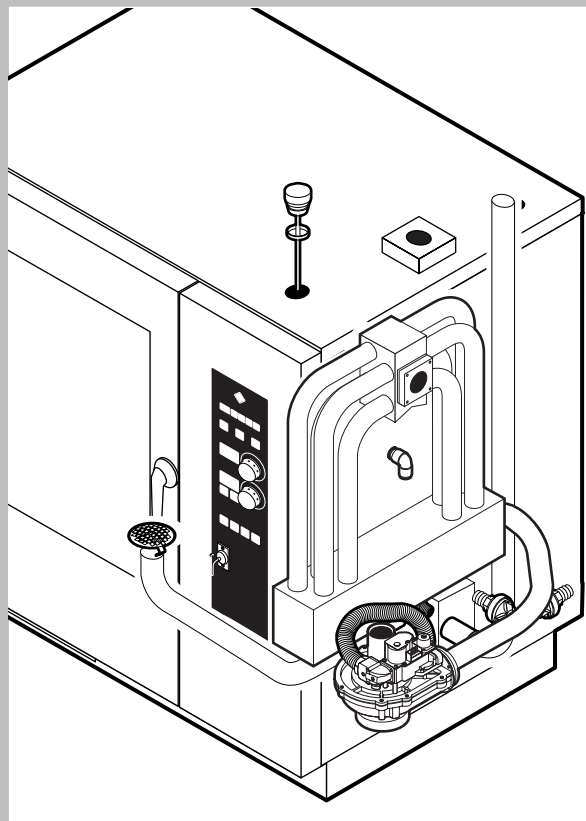
POS.	CODE	PIECES	DESCRIPTION
16	R70050100	6	GLASS SILICON SPACERS
17	R70044150	1	GLASS GASKET
18	R66110320	1	DOOR LAMPS CABLE SET
19	R11401440	2	LAMP COVER
20	R71500150	2	GLASS LAMP
21	R70044200	2	LAMP GASKET
22	R11401450	2	GLASS HOLDER LAMP FLANGE
23	R65270020	2	LIGHT 20W 12V G4
24	R65270450	2	LIGHT SOCKET
25	R65260750	1	LAMPS CONTACT BLOCK
26	R66110300	1	LAMPS CONTACT CABLE SET
27	R11100300	1	DOOR HANDLE ASSEMBLY
28	R69010260	1	DOOR LATCH 1 STEP
29	R69010270	1	DOOR LATCH 2 STEP
30	R69010250	1	DOOR CATCH KIT
31	R69010630	1	INNER DOOR CATCH PLASTIC COVER
32	R61620132	1	PRONG FLANGE



POS.	CODE	PIECES	DESCRIPTION
1	R58003840	1	MOTOR GASKET BRASS FLANGE
2	R58003850	1	MOTOR GASKET BRASS COUNTER FLANGE
3	R58004000	1	FAN SCREW M12x1.5 SX
4	R58004010	1	FAN WASHER Ø 30/12.5
5	R61020562	1	FAN SCREW TE A2 M6x55
6	*R65040031	1	MOTOR 055/015 KW KIT UNTIL Nn2005
	*R65040540	1	MOTOR 055/015 KW KIT FROM Nn2105
7	R65060050	2	COMPONENTS VENTILATION MOTOR Ø 120
8	R65070350	1	CHAMBER SAFETY THERMOSTAT
9	R65095000	1	DAMPER SYSTEM
10	R65110200	1	SOLENOID VALVE 220V 50HZ
11	R65110230	1	SOLENOID VALVE 220V 50HZ
12	R65110510	1	15 LT/H WATER FLOW REDUCER
13	R63060120	1	BURNER IGNITION PANEL
14	R63130020	1	GAS BURNER FAN MOTOR PCBOARD
15	*R65140380	4	CONTACTOR 3RT1016-1AP02 240V
16	*R65160580	1	THERMIC PROTECTION 3RU1116-1CB0 1,8-2,5A UNTIL Nn2005
	*R65160620	1	THERMIC PROTECTION 3RU1116-1BB0 1,4-2,0A FROM Nn2105
17	*R65160600	1	THERMIC PROTECTION 3RU1116-1FB0 3,5-5,0A UNTIL Nn2005
	*R65160590	1	THERMIC PROTECTION 3RU1116-1EB0 2,8-4,0A FROM Nn2105
18	R65180770	1	TRANSFORMER 50VA

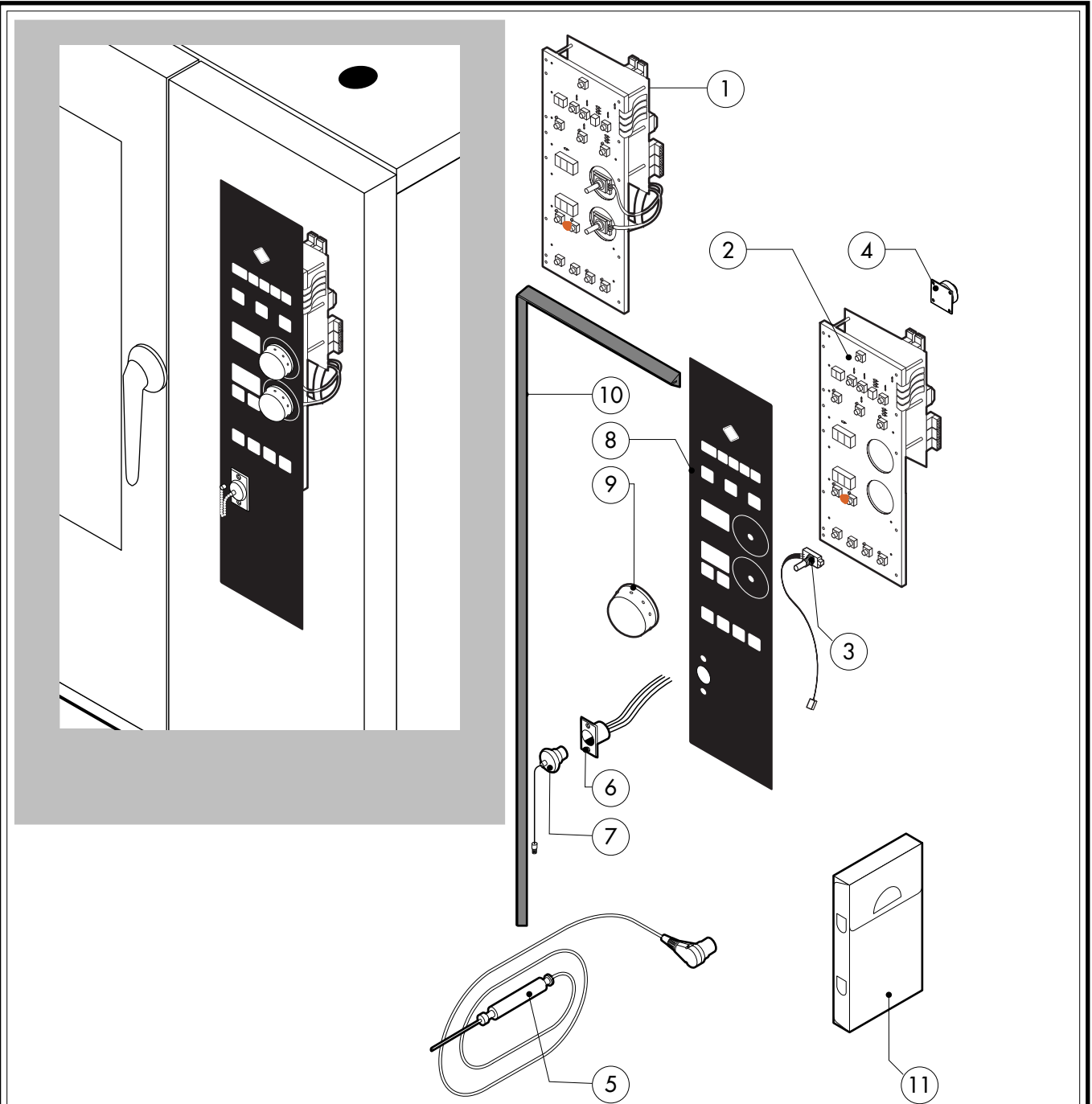
POS.	CODE	PIECES	DESCRIPTION
19	R65180430	1	TRANSFORMER 40VA
20	R65180420	2	TRANSFORMER 20VA
21	R65200086	1	FUSE 0.125A (T)
22	R65200200	1	FUSE 2A
23	R65200120	1	FUSE 1A
24	R65200040	1	FUSE 0.500A (T)
25	R65200110	1	FUSE 0.25A (T)
26	R65210020	5	FUSE CARRIER
27	R65220220	1	TERMINAL BOARD
28	R65265100	1	DOOR SWITCH
29	*R65280210	1	INTERFERENCE SUPPRESSOR
30	*R65280450	1	FERRITE
31	R65325000	2	PROBE PT100
32	R70020050	1	MOTOR GASKET
33	*R75400440	1	FAN Ø 350x114/12 50HZ P.D. KIT
34	*R65190030	1	CAPACITOR 16 µF
35	*R65190090	1	CAPACITOR 12.5 µF

*COMPONENT SUBMITTED TO CHANGEMENTS CAUSED BY TENSION DIFFERENT FROM THE STANDARD [AC 230V 50HZ]



POS.	CODE	PIECES	DESCRIPTION
1	R11100270	1	DAMPER SYSTEM CAP
2	R10201700	1	DRAIN FILTER
3	R58006130	1	STEAM QUENCHING NOZZLE Ø 1
4	R11208160	1	HEAT EXCHANGER ACCESSORIES INCLUDED
5	R14213250	1	BURNER ASSEMBLY
6	R66110390	1	FLAME IGNITION CABLE/FLAME SENSOR CABLE
7	R63050100	2	IGNITOR
8	R63020170	1	GAS SOLENOID VALVE
9	R63120040	1	VENTURI TUBE
10	R63130010	1	GAS BURNER FAN MOTOR
11	R63140020	2	STEAM GENERATOR/HEAT EXCHANGER GASKET
12	R63140060	2	BURNER/HEAT EXCHANGER GASKET
13	R63140050	1	BURNER/FAN MOTOR GASKET
14	R63070010	1	GAS SAFETY PRESSURE SWITCH PG 901.61
15	R61630011	2	METAL CLAMPS 12-22/9
16	R61630021	2	METAL CLAMPS 30-45/9
17	R70060100	1	DAMPER SYSTEM CAP GASKET
18	R70060010	1	SILICON COUPLING Ø 30
19	R70060080	1	SILICON COUPLING Ø 13

POS.	CODE	PIECES	DESCRIPTION
20	R62090478	3	ELBOW MIDLING PIPE FITTING D.10
21	R62090458	1	STRAIGHT MIDLING PIPE FITTING D.10
22	R62090508	1	10X1/4 STRAIGHT THREADED TERMINAL PIPE FITTING
23	R62030118	1	1/8"-1/4" FEMALE REDUCTION COUPLING
24	R63070050	1	WATER SAFETY PRESSURE SWITCH 1/8" 0,5-0,35 BAR
25	R70070060	1	PE D.10 MM X7 WATER FLEXIBLE PIPE (2 MT LONG)
26	R58004200	1	ORIFICE (FOR VERSION LIQUID GAS)
27	R62180082	1	GAS INLET FLEXIBLE PIPE



POS.	CODE	PIECES	DESCRIPTION
1	R65301400	1	CONTROL PANEL P.C. BOARD
2	R65301370	1	FRONT+RELAY PC BOARD "H-P" MOD
3	R65301450	2	FRONT PC BOARD ENCODER
4	R65301440	1	PC BOARD BUZZER
5	R65321120	1	CORE TEMPERATURE PROBE
6	R65320920	1	CORE TEMPERATURE PROBE FEMALE CONNECTOR
7	R65321020	1	COVER FOR FEMALE CONNECTOR
8	R67013140	1	PLATE
9	R69030260	2	KNOB
10	R70044270	1	CONTROL PANEL GASKET
11	R86020420	1	CORE TEMPERATURE PROBE BOX

POS.	CODE	PIECES	DESCRIPTION