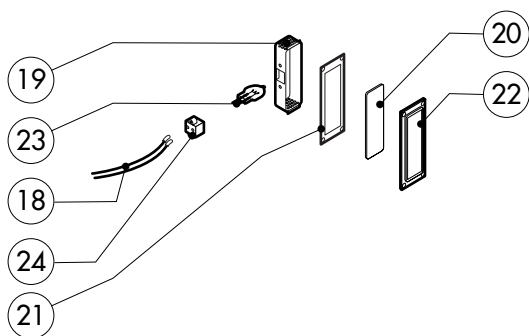
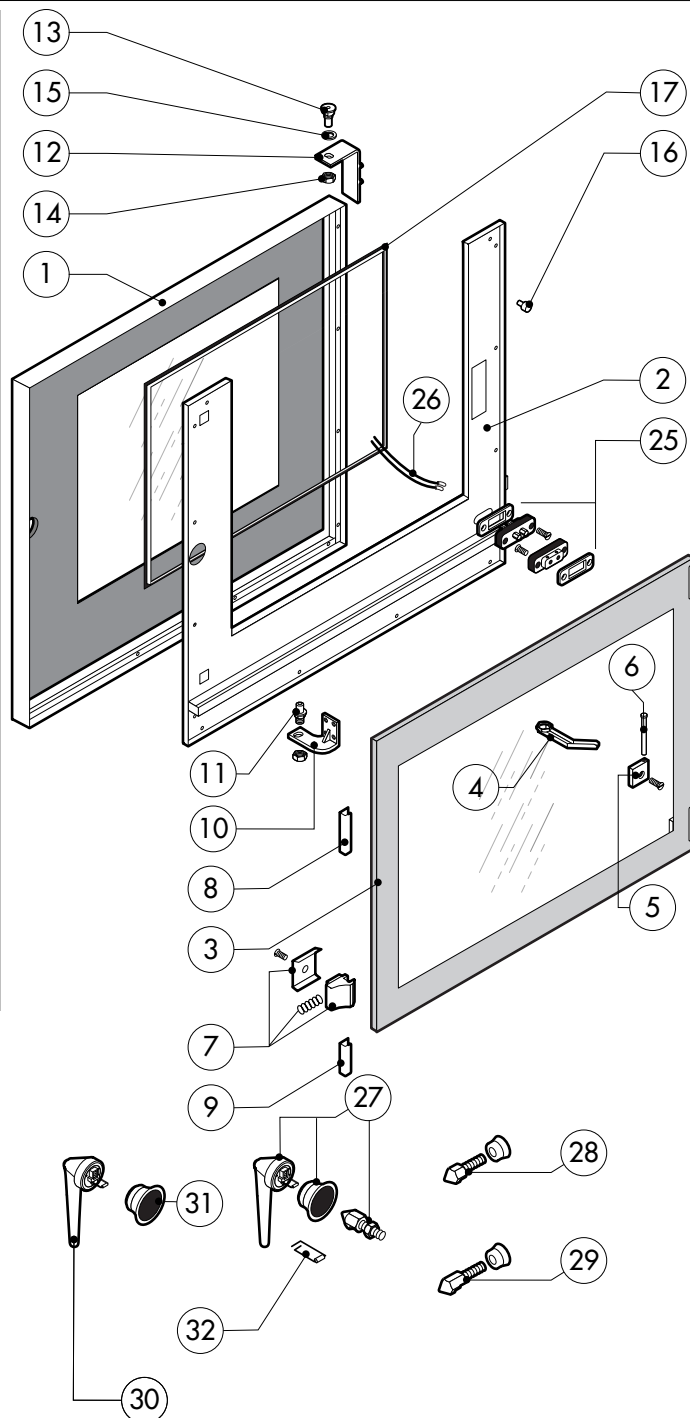
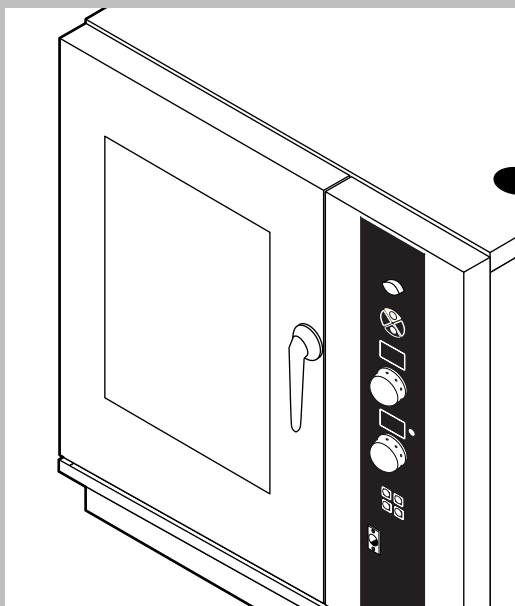


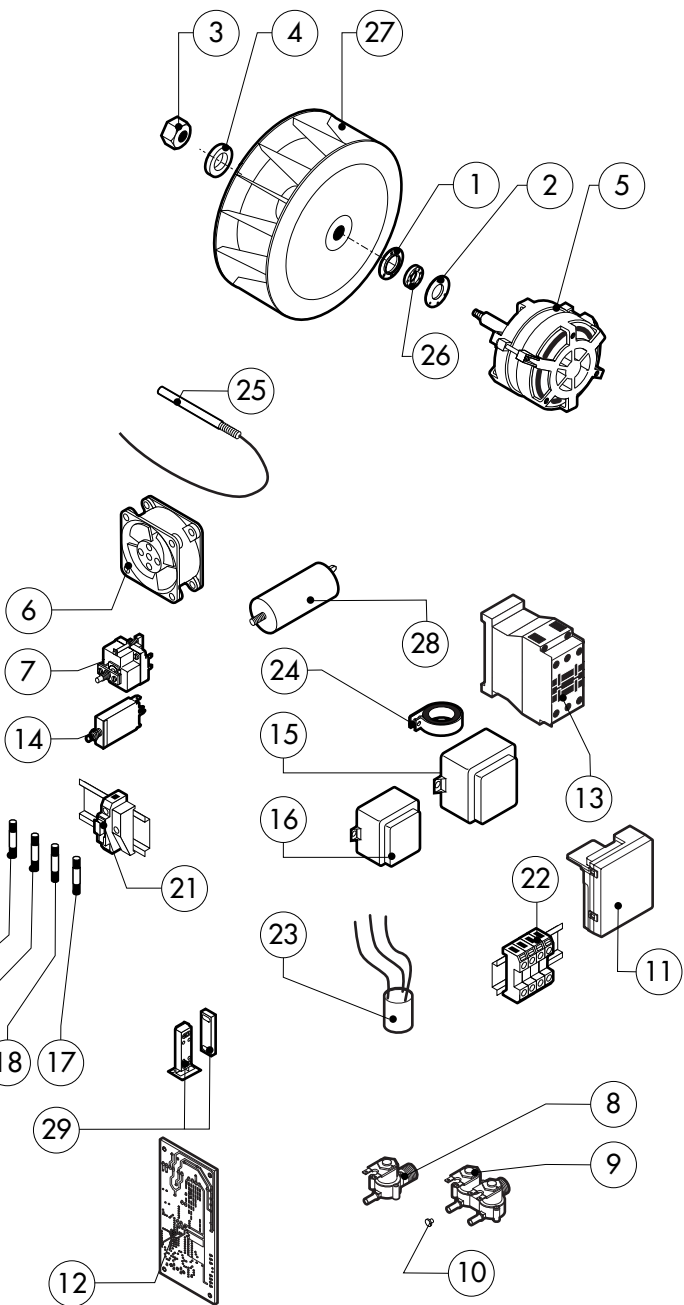
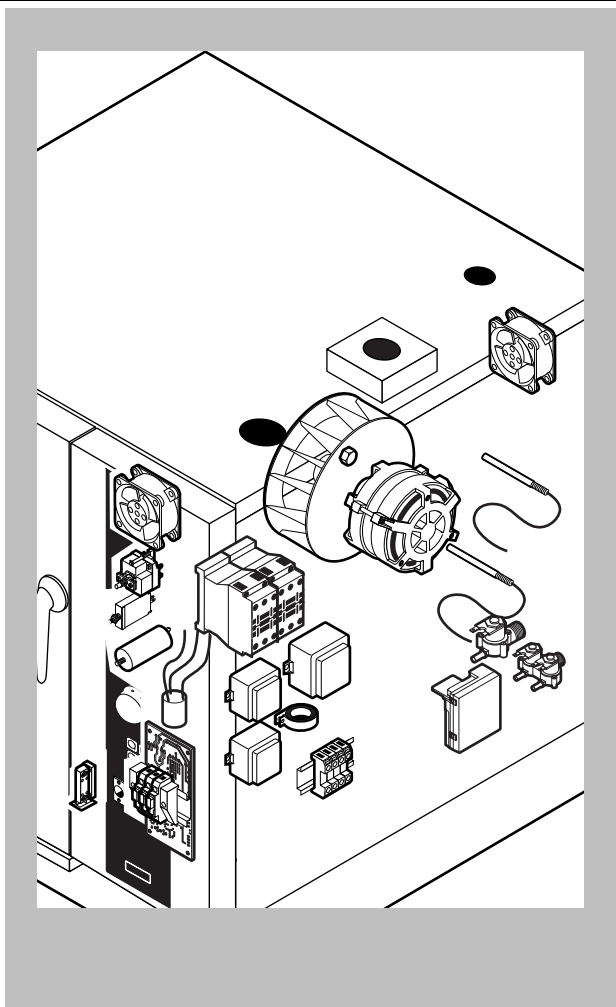
POS.	CODE	PIECES	DESCRIPTION
1	R14102000	1	DOOR ASSEMBLY UNTIL CRXXXXXX0
	R14102010	1	DOOR ASSEMBLY FROM CRXXXXXX1
2	R14210820	1	CONTROL PANEL UNTIL CRXXXXXX0
	R14214350	1	CONTROL PANEL FROM CRXXXXXX1
3	R11200650	1	SPRITZER EXTENSION
4	R11200380	1	SPRITZER UNION
5	R14102110	1	COOKING CABINET ASSEMBLY
6	R14210640	1	FAN GUARD PANEL ASSEMBLY
7	R14421010	1	RIGHT SIDE PANEL UNTIL CRXXXXXX0
	R14214250	1	RIGHT SIDE PANEL FROM CRXXXXXX1
8	R14421020	1	LEFT SIDE PANEL UNTIL CRXXXXXX0
	R14214260	1	LEFT SIDE PANEL FROM CRXXXXXX1
9	R14210760	1	REAR PANEL UNTIL CRXXXXXX0
	R14214270	1	REAR PANEL FROM CRXXXXXX1
10	R14210280	1	COVER PANEL UNTIL CRXXXXXX0
	R14214130	1	COVER PANEL FROM CRXXXXXX1
11	R11402980	1	DRAINAGE PIPE PROTECTION
12	R58003100	2	FAN GUARD FASTENING SCREW
13	R70044210	1	FRONT GASKET

POS.	CODE	PIECES	DESCRIPTION
14	R75300020	1	FAN GUARD GRID Ø 120
15	R75300030	1	FAN GUARD GRID Ø 190
16	R14210680	1	REMOVABLE RACK DX
17	R14210690	1	REMOVABLE RACK SX



POS.	CODE	PIECES	DESCRIPTION
1	R14210150	1	DOOR UNTIL CRXXXXXX0
	R14214200	1	DOOR FROM CRXXXXXX1
2	R14210200	1	INNER DOOR PANEL UNTIL CRXXXXXX0
	R14214210	1	INNER DOOR PANEL FROM CRXXXXXX1
3	R71201650	1	INNER DOOR GLASS
4	R69180000	1	DOOR DRIP TRAY DRAINAGE FROM CRXXXXXX1
5	R58001760	2	INNER GLASS SOLID HINGE
6	R58001770	2	INNER GLASS HINGE PIN
7	R58001780	2	INNER GLASS CATCH KIT
8	R11401340	1	TOP "C" PROFILE
9	R11401360	1	LOWER "C" PROFILE
10	R11207250	1	LOWER DOOR HINGE UNTIL CRXXXXXX0
	R11207240	1	LOWER DOOR HINGE FROM CRXXXXXX1
11	R58002520	1	LOWER HINGE PIN UNTIL CRXXXXXX0
	R58002670	1	LOWER HINGE PIN FROM CRXXXXXX1
12	R11200560	1	UPPER DOOR HINGE
13	R58002150	1	HINGE PIN
14	R58004050	2	NUT FOR UPPER DOOR HINGE
15	R10401710	1	WASHER FOR UPPER DOOR HINGE

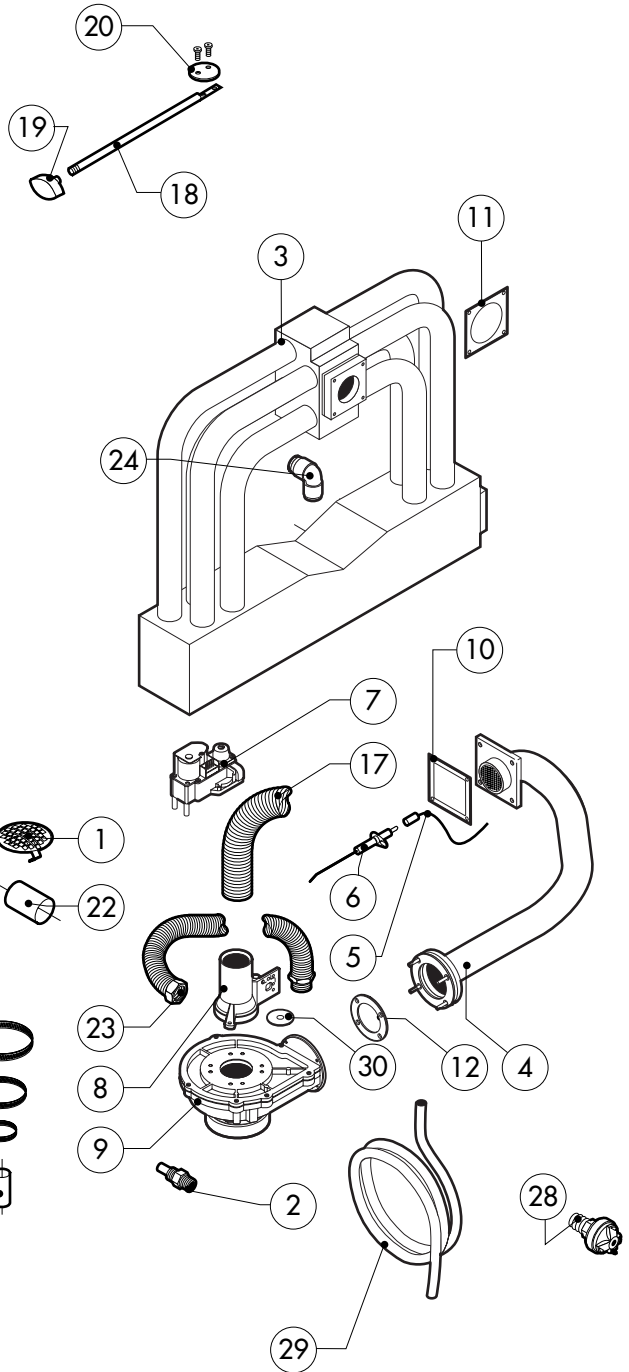
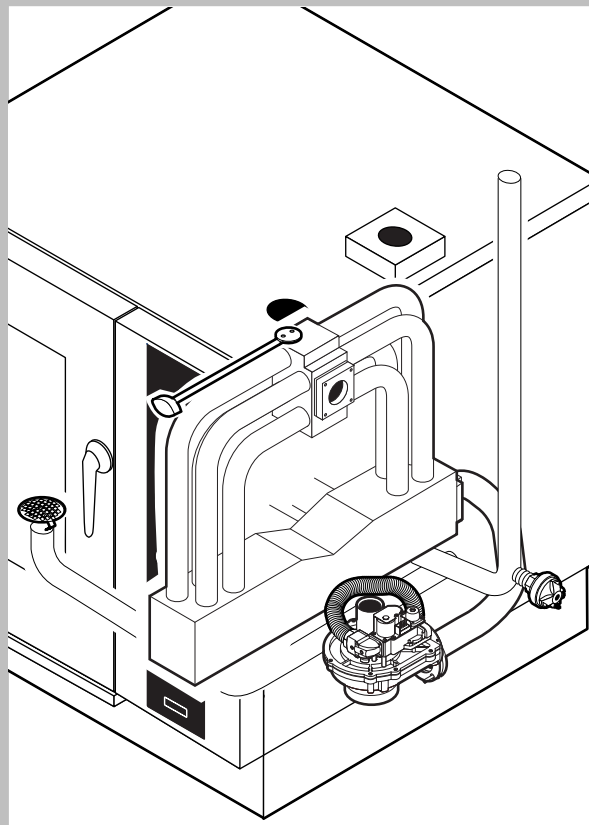
POS.	CODE	PIECES	DESCRIPTION
16	R70050100	6	GLASS SILICON SPACERS
17	R70042760	1	GLASS GASKET
18	R66110310	1	DOOR LAMPS CABLE SET
19	R11401440	1	LAMP COVER
20	R71500150	1	GLASS LAMP
21	R70044200	1	LAMP GASKET
22	R11401450	1	GLASS HOLDER LAMP FLANGE
23	R65270020	1	LIGHT 20W 12V G4
24	R65270450	1	LIGHT SOCKET
25	R65260750	1	LAMPS CONTACT BLOCK
26	R66110300	1	LAMPS CONTACT CABLE SET
27	R11100300	1	DOOR HANDLE ASSEMBLY
28	R69010260	1	DOOR LATCH 1 STEP
29	R69010270	1	DOOR LATCH 2 STEP
30	R69010250	1	DOOR CATCH KIT
31	R69010630	1	INNER DOOR CATCH PLASTIC COVER
32	R61620132	1	PRONG FLANGE



POS.	CODE	PIECES	DESCRIPTION
1	R58003860	1	MOTOR GASKET BRASS FLANGE
2	R58003870	1	MOTOR GASKET BRASS COUNTER FLANGE
3	R58004020	1	FAN SECURITY NUT M10 SX
4	R61400052	1	FAN WASHER Ø 21/10.5
5	*R65040421	1	MOTOR KW 025 2P 220-240V KIT
6	R65060050	2	COMPONENTS VENTILATION MOTOR Ø 120
7	R65070350	1	CHAMBER SAFETY THERMOSTAT
8	R65110200	1	SOLENOID VALVE 220V 50HZ
9	R65110230	1	SOLENOID VALVE 220V 50HZ
10	R65110510	1	1.5 LT/H WATER FLOW REDUCER
11	R63060120	1	BURNER IGNITION PANEL
12	R63130020	1	GAS BURNER FAN MOTOR PCBOARD
13	*R65140550	2	CONTACTOR DIL 00 M-01 4KW
14	*R65160320	1	THERMIC PROTECTION T12-211S-2A
15	R65180770	1	TRANSFORMER 50VA
16	R65180420	2	TRANSFORMER 20VA
17	R65200200	1	FUSE 2A
18	R65200120	1	FUSE 1A
19	R65200040	1	FUSE 0.500A (T)

POS.	CODE	PIECES	DESCRIPTION
20	R65200080	2	FUSE 0.125A (T)
21	R65210020	5	FUSE CARRIER
22	R65220220	1	TERMINAL BOARD
23	*R65280210	1	INTERFERENCE SUPPRESSOR
24	*R65280450	1	FERRITE
25	R65325000	2	PROBE PT100
26	R70020040	1	MOTOR GASKET
27	*R75400400	1	FAN Ø 220x78/12 50HZ P.D. KIT
28	*R65190180	1	CAPACITOR 10 µF
29	R65265100	1	DOOR SWITCH

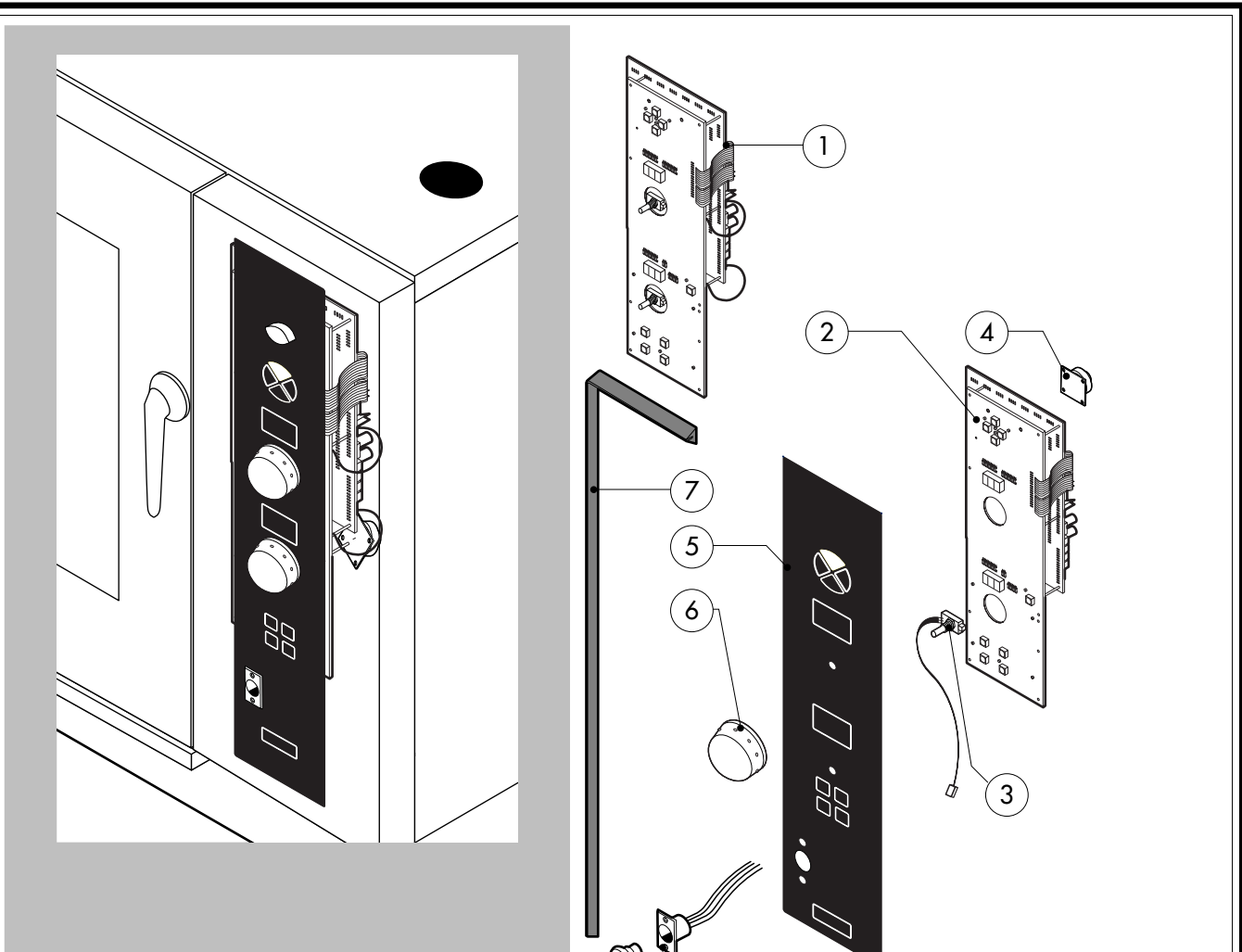
*COMPONENT SUBMITTED TO CHANGEMENTS CAUSED BY TENSION DIFFERENT FROM THE STANDARD (3N AC400V 50HZ)



POS.	CODE	PIECES	DESCRIPTION
1	R10201710	1	DRAIN FILTER
2	R58006130	1	STEAM QUENCHING NOZZLE Ø 1
3	R14210470	1	HEAT EXCHANGER ACCESSORIES INCLUDED
4	R14210500	1	BURNER ASSEMBLY
5	R66110390	1	FLAME IGNITION CABLE/FLAME SENSOR CABLE
6	R63050100	2	IGNITOR
7	R63020170	1	GAS SOLENOID VALVE
8	R63120020	1	VENTURI TUBE
9	R63130010	1	GAS BURNER FAN MOTOR
10	R63140000	2	BURNER/HEAT EXCHANGER GASKET
11	R63140010	2	BOILER/HEAT EXCHANGER GASKET
12	R63140050	1	BURNER/FAN MOTOR GASKET
13	R63070010	1	GAS SAFETY PRESSURE SWITCH PG 901.61
14	R61630011	2	METAL CLAMPS 12-22/9
15	R61630021	2	METAL CLAMPS 30-45/9
16	R61630031	4	METAL CLAMPS 40-60/9
17	R77700046	1	AIR INLET FLEXIBLE PIPE
18	R58003790	1	CHAMBER VENT ROD
19	R69010410	1	STEAM OUTLET KNOB

POS.	CODE	PIECES	DESCRIPTION
20	R04403460	1	CHAMBER VENT PLATE Ø 46
21	R70060080	1	SILICON COUPLING Ø 13
22	R70060010	1	SILICON COUPLING Ø 30
23	R62180082	1	GAS INLET FLEXIBLE PIPE
24	R62090478	4	ELBOW MIDLING PIPE FITTING D.10
25	R62090458	1	STRAIGHT MIDLING PIPE FITTING D.10
26	R62090508	1	10X1/4 STRAIGHT THREADED TERMINAL PIPE FITTING
27	R62030118	1	1/8"-1/4" FEMALE REDUCTION COUPLING
28	R63070050	1	WATER SAFETY PRESSURE SWITCH 1/8" 0,5-0,35 BAR
29	R70070050	1	PE D.10 MM X7 WATER FLEXIBLE PIPE (3 MT LONG)
30	R58004180	1	ORIFICE (FOR VERSION LIQUID GAS)

*COMPONENT SUBMITTED TO CHANGEMENTS CAUSED BY TENSION DIFFERENT FROM THE STANDARD (3N AC400V 50HZ)



POS.	CODE	PIECES	DESCRIPTION
1	R65301300	1	CONTROL PANEL P.C. BOARD
2	R65301320	1	RELAY PC BOARD "D" MOD
3	R65301450	2	FRONT PC BOARD ENCODER
4	R65301440	1	PC BOARD BUZZER
5	R67013090	1	PLATE
6	R69030260	2	KNOB
7	R70042910	1	CONTROL PANEL GASKET
8	R86020420	1	CORE TEMPERATURE PROBE BOX
9	R65321120	1	CORE TEMPERATURE PROBE
10	R65320920	1	CORE TEMPERATURE PROBE FEMALE CONNECTOR
11	R65321020	1	COVER FOR FEMALE CONNECTOR

POS.	CODE	PIECES	DESCRIPTION