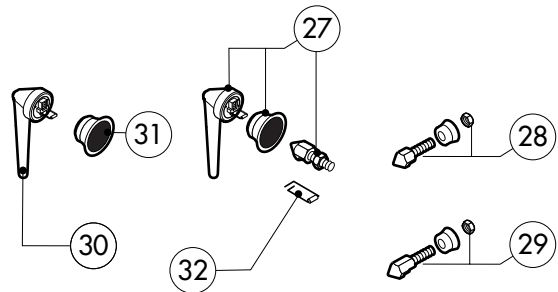
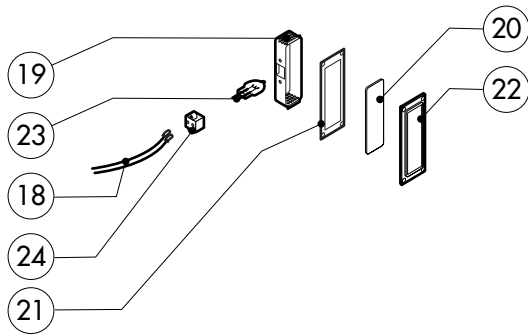
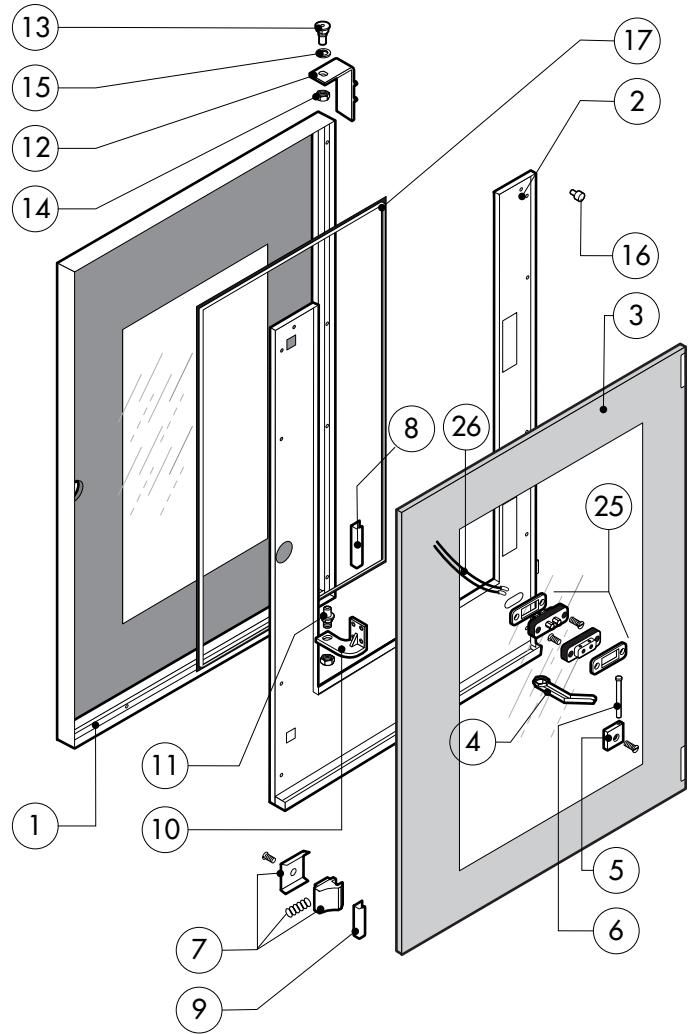
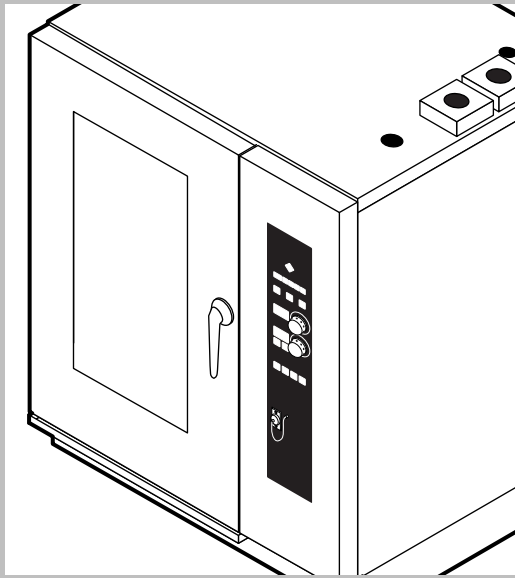


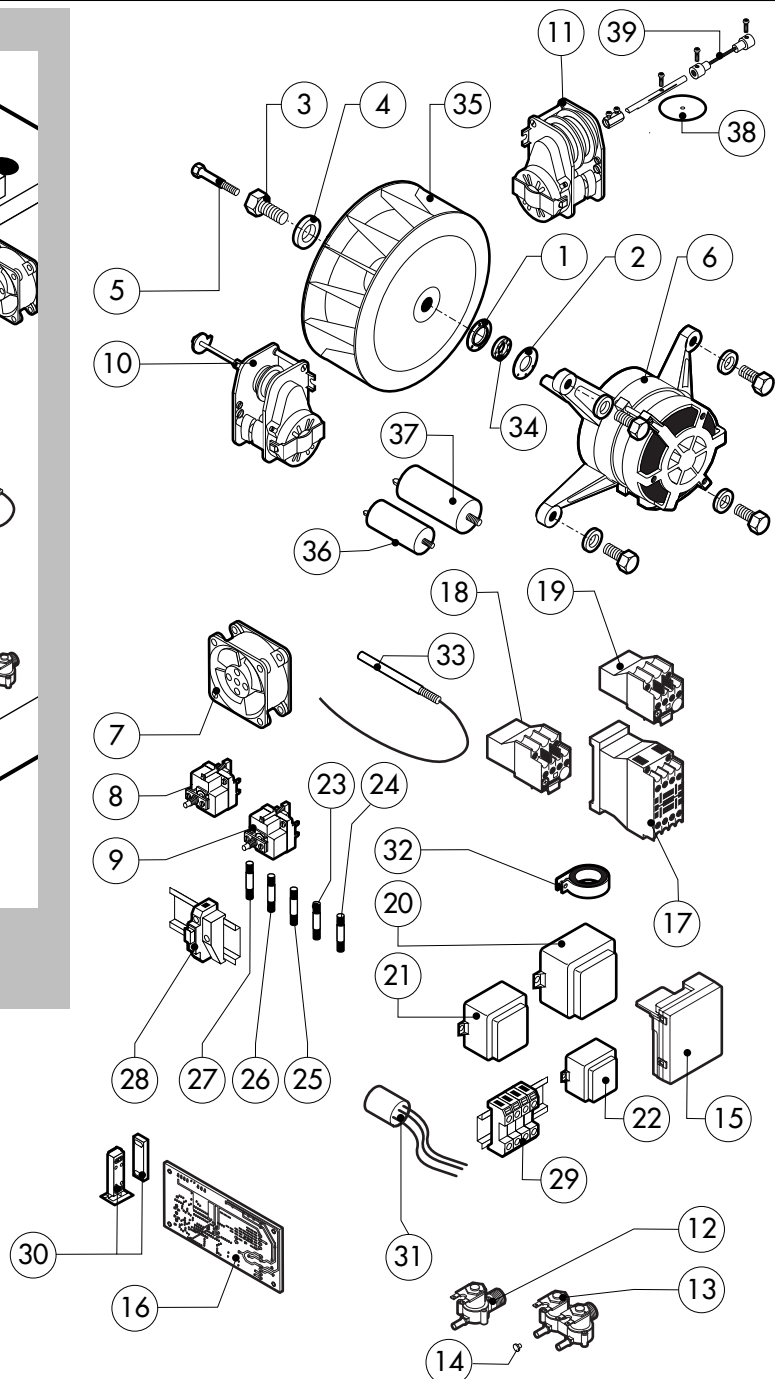
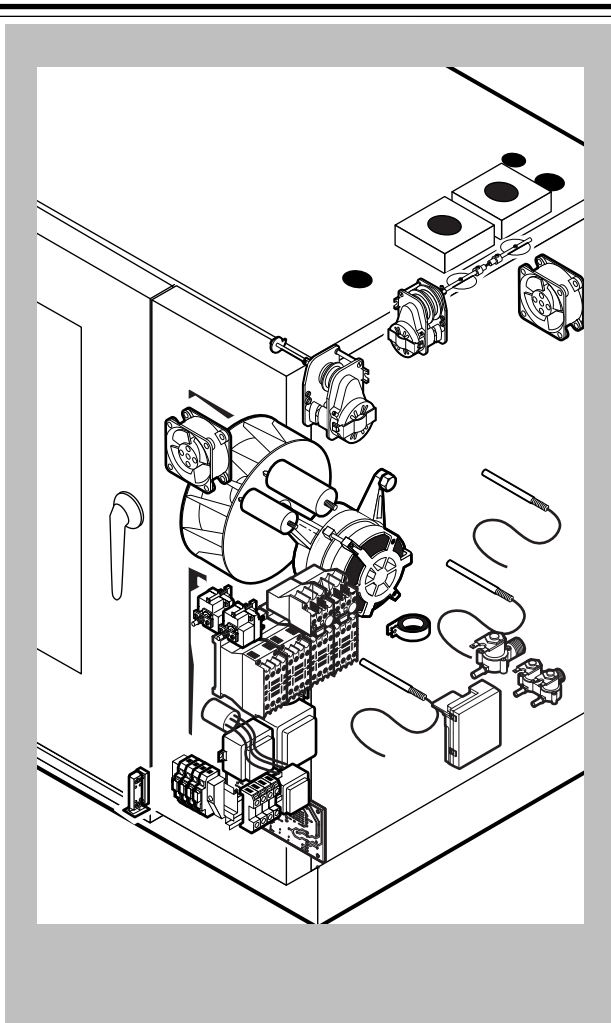
POS.	CODE	PIECES	DESCRIPTION
1	R14102020	1	DOOR ASSEMBLY UNTIL CRXXXXXX1
	R14102030	1	DOOR ASSEMBLY FROM CRXXXXXX2
2	R14211810	1	CONTROL PANEL UNTIL CRXXXXXX1
	R11203310	1	CONTROL PANEL FROM CRXXXXXX2
3	R11201970	1	SPRITZER EXTENSION
4	R11200380	1	SPRITZER UNION
5	R14102180	1	COOKING CABINET ASSEMBLY
6	R14102200	1	WASHING SYSTEM COOKING CABINET ASSEMBLY
7	R14211640	1	FAN GUARD PANEL ASSEMBLY
8	R14422100	1	RIGHT SIDE PANEL UNTIL CRXXXXXX1
	R14214750	1	RIGHT SIDE PANEL FROM CRXXXXXX2
9	R14422110	1	LEFT SIDE PANEL UNTIL CRXXXXXX1
	R14214760	1	LEFT SIDE PANEL FROM CRXXXXXX2
10	R14211760	1	REAR PANEL UNTIL CRXXXXXX1
	R14214770	1	REAR PANEL FROM CRXXXXXX2
11	R14211260	1	COVER PANEL UNTIL CRXXXXXX1
	R14214620	1	COVER PANEL FROM CRXXXXXX2
12	R11402980	2	DRAINAGE PIPE PROTECTION
13	R58003100	2	FAN GUARD FASTENING SCREW

POS.	CODE	PIECES	DESCRIPTION
14	R70044220	1	FRONT GASKET
15	R75300020	1	FAN GUARD GRID Ø 120
16	R75300090	1	FAN GUARD GRID Ø 350
17	R14211680	1	REMOVABLE RACK DX
18	R14211690	1	REMOVABLE RACK SX



POS.	CODE	PIECES	DESCRIPTION
1	R14211150	1	DOOR UNTIL CRXXXXX1
	R14214700	1	DOOR FROM CRXXXXX2
2	R14211200	1	INNER DOOR PANEL UNTIL CRXXXXX1
	R14214710	1	INNER DOOR PANEL FROM CRXXXXX2
3	R71201660	1	INNER DOOR GLASS
4	R69180000	1	DOOR DRIP TRAY DRAINAGE FROM CRXXXXX2
5	R58001760	2	INNER GLASS SOLID HINGE
6	R58001770	2	INNER GLASS HINGE PIN
7	R58001780	2	INNER GLASS CATCH KIT
8	R11401340	1	TOP "C" PROFILE
9	R11401360	1	LOWER "C" PROFILE
10	R11207250	1	LOWER DOOR HINGE UNTIL CRXXXXX1
	R11207240	1	LOWER DOOR HINGE FROM CRXXXXX2
11	R58002520	1	LOWER HINGE PIN UNTIL CRXXXXX1
	R58002670	1	LOWER HINGE PIN FROM CRXXXXX2
12	R11200560	1	UPPER DOOR HINGE
13	R58002150	1	HINGE PIN
14	R58004050	2	NUT FOR UPPER DOOR HINGE
15	R10401710	1	WASHER FOR UPPER DOOR HINGE

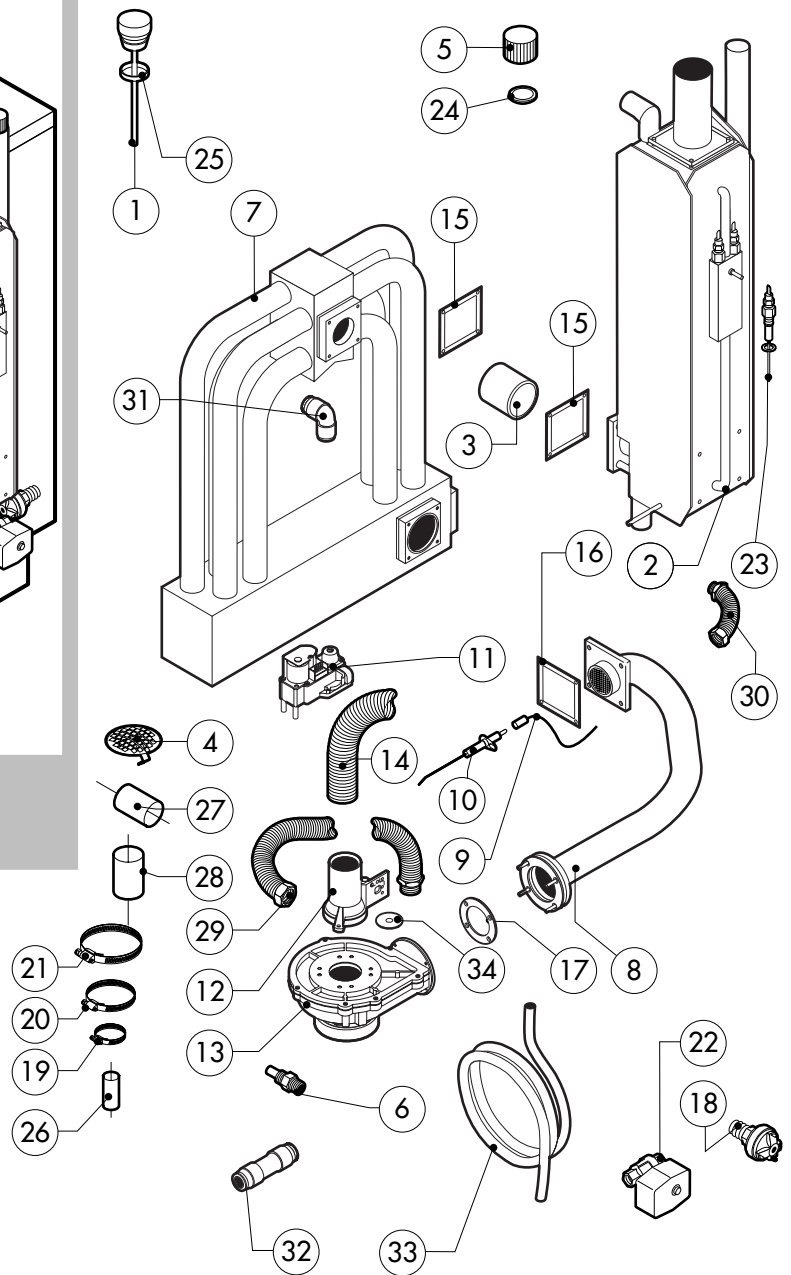
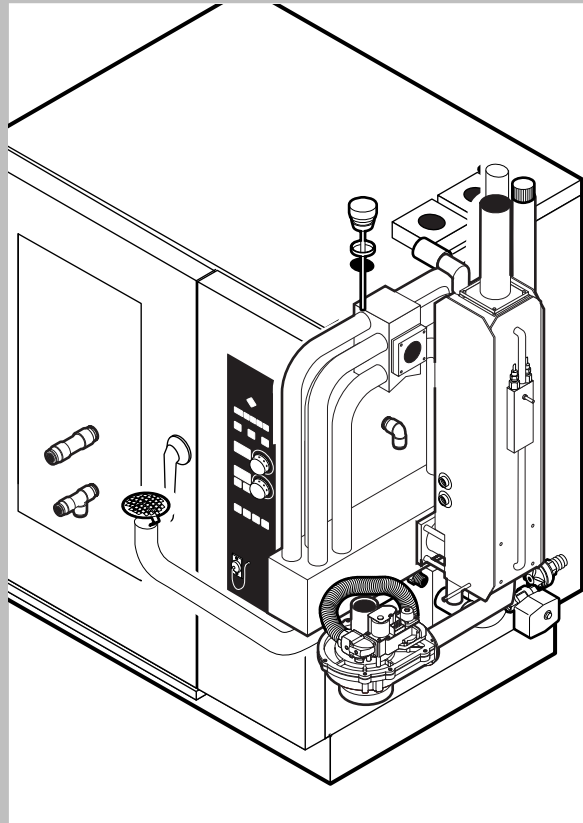
POS.	CODE	PIECES	DESCRIPTION
16	R70050100	6	GLASS SILICON SPACERS
17	R70040640	1	GLASS GASKET
18	R66110320	1	DOOR LAMPS CABLE SET
19	R11401440	2	LAMP COVER
20	R71500150	2	GLASS LAMP
21	R70044200	2	LAMP GASKET
22	R11401450	2	GLASS HOLDER LAMP FLANGE
23	R65270020	2	LIGHT 20W 12V G4
24	R65270450	2	LIGHT SOCKET
25	R65260750	1	LAMPS CONTACT BLOCK
26	R66110300	1	LAMPS CONTACT CABLE SET
27	R11100300	1	DOOR HANDLE ASSEMBLY
28	R69010260	1	DOOR LATCH 1 STEP
29	R69010270	1	DOOR LATCH 2 STEP
30	R69010250	1	DOOR CATCH KIT
31	R69010630	1	INNER DOOR CATCH PLASTIC COVER
32	R61620132	1	PRONG FLANGE



POS.	CODE	PIECES	DESCRIPTION
1	R58003840	1	MOTOR GASKET BRASS FLANGE
2	R58003850	1	MOTOR GASKET BRASS COUNTER FLANGE
3	R58004000	1	FAN SCREW M12x1.5 SX
4	R58004010	1	FAN WASHER Ø 30/12.5
5	R61020562	1	FAN SCREW TE A2 M6x55
6	*R65040031	1	MOTOR HP 1/0.3 KIT UNTIL N <sub>o</sub> 2105
	*R65040540	1	MOTOR KW 055/015 KIT FROM N <sub>o</sub> 2105
7	R65060050	2	COMPONENTS VENTILATION MOTOR Ø 120
8	R65070350	1	CHAMBER SAFETY THERMOSTAT
9	R65070081	1	STEAM GENERATOR SAFETY THERMOSTAT
10	R65095000	1	DAMPER SYSTEM
11	R65090240	1	DRAIN MOTOR
12	R65110200	1	SOLENOID VALVE 220V 50HZ
13	R65110210	1	SOLENOID VALVE 220V 50HZ
14	R65110510	1	15 LT/H WATER FLOW REDUCER
15	R63060120	1	BURNER IGNITION PANEL
16	R63130020	1	GAS BURNER FAN MOTOR PCBOARD
17	*R65140550	4	CONTACTOR DIL 00 M-01 4KW
18	*R65160460	1	THERMIC PROTECTION Z 00-2,4 UNTIL N <sub>o</sub> 2005
	*R65160420	1	THERMIC PROTECTION Z 00-1,6 FROM N <sub>o</sub> 2105
19	*R65160470	1	THERMIC PROTECTION Z 00-4

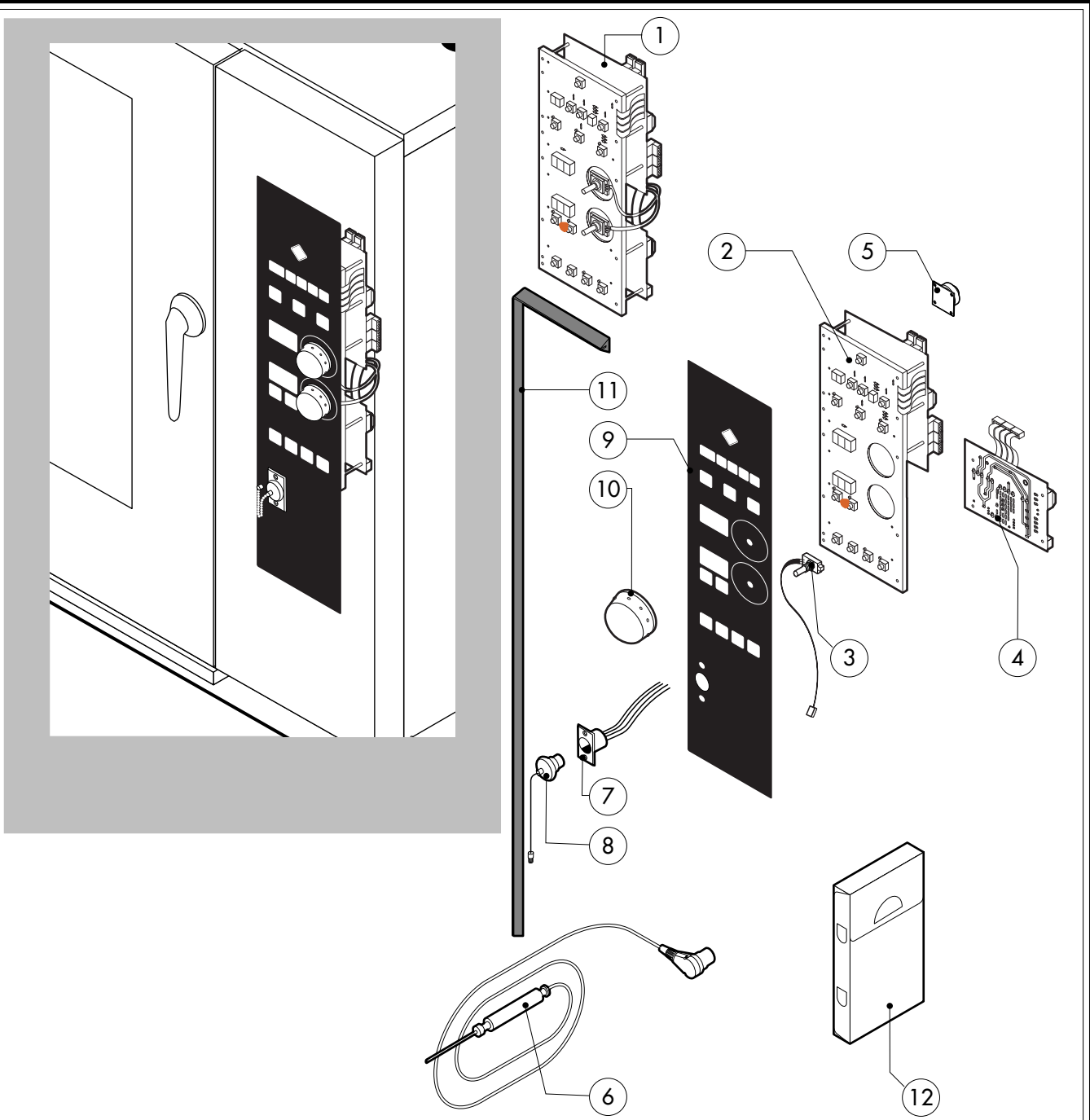
POS.	CODE	PIECES	DESCRIPTION
20	R65180770	1	TRANSFORMER 50VA
21	R65180430	1	TRANSFORMER 40VA
22	R65180420	2	TRANSFORMER 20VA
23	R65200086	1	FUSE 0.125A (T)
24	R65200200	1	FUSE 2A
25	R65200120	1	FUSE 1A
26	R65200040	1	FUSE 0.500A (T)
27	R65200110	1	FUSE 0.25A (T)
28	R65210020	5	FUSE CARRIER
29	R65220220	1	TERMINAL BOARD
30	R65265100	1	DOOR SWITCH
31	*R65280210	1	INTERFERENCE SUPPRESSOR
32	*R65280450	1	FERRITE
33	R65325000	3	PROBE PT100
34	R70020050	1	MOTOR GASKET
35	*R75400440	1	FAN Ø 350x114/12 50HZ P.D. KIT
36	*R65190180	1	CAPACITOR 10 µF
37	*R65190180	1	CAPACITOR 20 µF
38	R11402840	2	SMOKES OUTKET PLATE
39	R61660000	1	CARDAN JOINT

\*COMPONENT SUBMITTED TO CHANGEMENTS CAUSED BY TENSION DIFFERENT FROM THE STANDARD (AC 230V 50HZ)



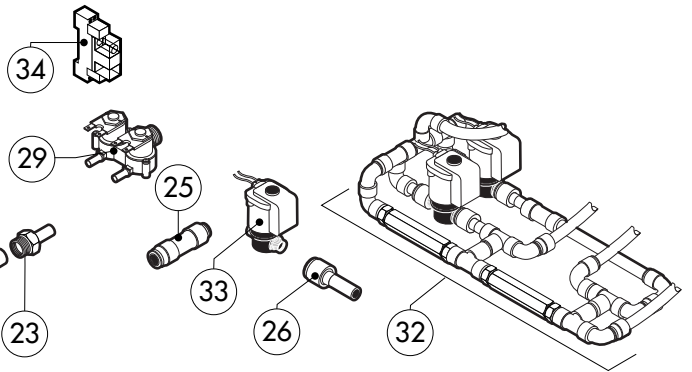
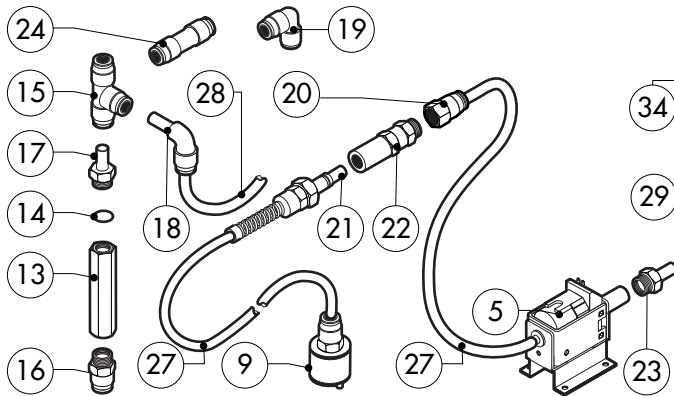
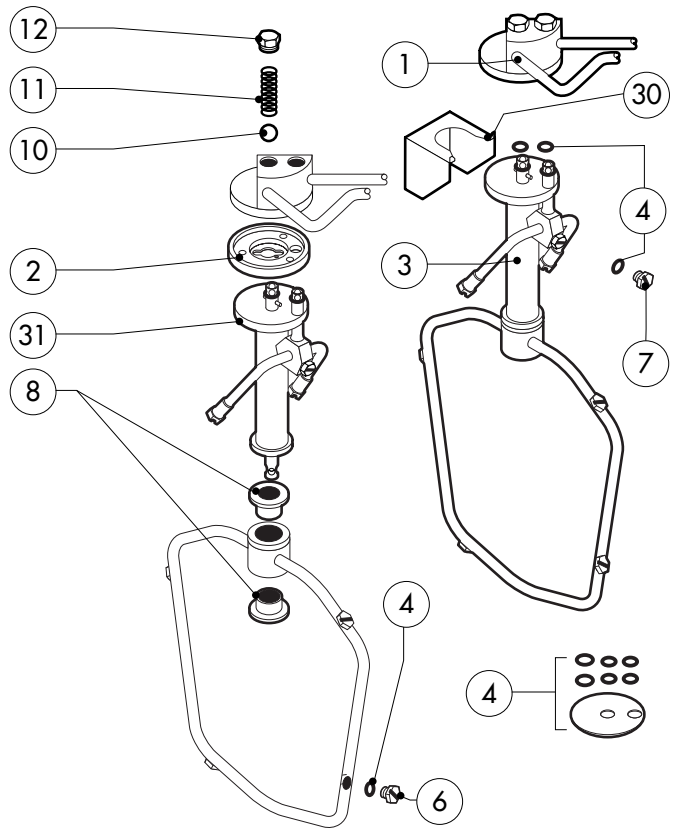
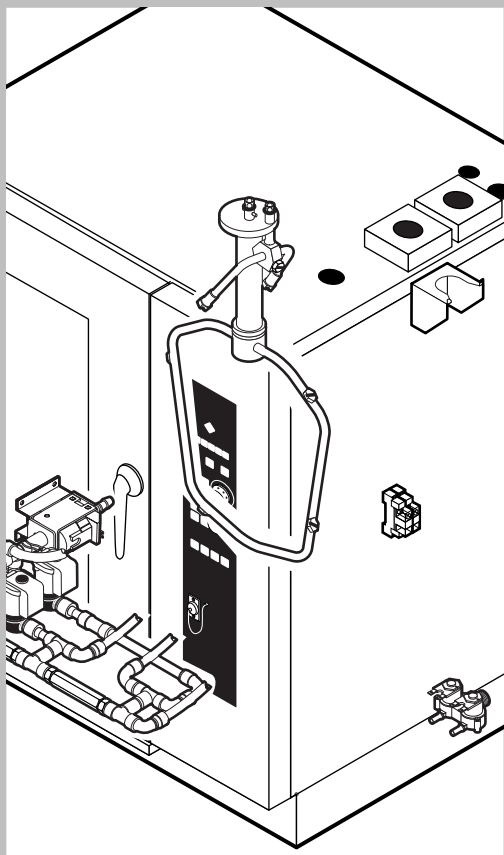
POS.	CODE	PIECES	DESCRIPTION
1	R10100140	1	DAMPER SYSTEM CAP
2	R14102360	1	STEAM GENERATOR ASSEMBLY
3	R70080010	1	CERAMIC PROTECTION TUBE
4	R10201710	1	DRAIN FILTER
5	R58005680	1	STEAM GENERATOR DESCALING CAP 1"1/4 F
6	R58006130	1	STEAM QUENCHING NOZZLE Ø 1
7	R14211450	1	HEAT EXCHANGER ACCESSORIES INCLUDED
8	R14211500	1	BURNER ASSEMBLY
9	R66110390	1	FLAME IGNITION CABLE/FLAME SENSOR CABLE
10	R63050100	2	IGNITOR
11	R63020170	1	GAS SOLENOID VALVE
12	R63120010	1	VENTURI TUBE
13	R63130010	1	GAS BURNER FAN MOTOR
14	R77700046	1	AIR INLET FLEXIBLE PIPE
15	R63140020	4	STEAM GENERATOR/HEAT EXCHANGER GASKET
16	R63140060	2	BURNER/HEAT EXCHANGER GASKET
17	R63140050	1	BURNER/FAN MOTOR GASKET
18	R63070010	1	GAS SAFETY PRESSURE SWITCH PG 901.61
19	R61630011	2	METAL CLAMPS 12-22/9

POS.	CODE	PIECES	DESCRIPTION
20	R61630021	2	METAL CLAMPS 30-45/9
21	R61630100	2	METAL CLAMPS 32-44/12
22	R65110560	1	STEAM GENERATOR DRAIN MOTORIZED VALVE
23	R65320010	2	STEAM GENERATOR LEVEL PROBE
24	R70050040	1	STEAM GENERATOR CAP GASKET
25	R70060020	1	DAMPER SYSTEM CAP GASKET
26	R70060080	1	SILICON COUPLING Ø 13
27	R70060010	1	SILICON COUPLING Ø 30
28	R70060030	1	SILICON COUPLING Ø 40
29	R62180082	1	GAS INLET FLEXIBLE PIPE
30	R62180022	1	FLEXIBLE PIPE FOR BOILER DESCALING
31	R62090478	6	ELBOW MIDLING PIPE FITTING D.10
32	R62090458	1	STRAIGHT MIDLING PIPE FITTING D.10
33	R70070050	1	PE D.10 MM X7 WATER FLEXIBLE PIPE (3 MT LONG)
34	R58004190	1	ORIFICE (FOR VERSION LIQUID GAS)



POS.	CODE	PIECES	DESCRIPTION
1	R65301390	1	CONTROL PANEL P.C. BOARD
2	R65301370	1	FRONT+RELAY PC BOARD "H-P" MOD
3	R65301450	2	FRONT PC BOARD ENCODER
4	R65301480	1	BOILER CONTROL PC BOARD "H-P" MOD
5	R65301440	1	PC BOARD BUZZER
6	R65321120	1	CORE TEMPERATURE PROBE
7	R65320920	1	CORE TEMPERATURE PROBE FEMALE CONNECTOR
8	R65321020	1	COVER FOR FEMALE CONNECTOR
9	R67013140	1	PLATE
10	R69030260	2	KNOB
11	R70044400	1	CONTROL PANEL GASKET
12	R86020420	1	CORE TEMPERATURE PROBE BOX

POS.	CODE	PIECES	DESCRIPTION



POS.	CODE	PIECES	DESCRIPTION
1	R14212310	1	WASHING SYSTEM EXTERNAL ASSEMBLY
2	R58004960	1	WASHING SYSTEM INNER FLANGE
3	R14102500	1	WASHING DEVICE ASSEMBLY
4	R70045100	1	GASKETS KIT
5	R65110600	1	DETRGENT PUMP
6	R62210032	4	1,3 L/MIN RINSING JET
7	R62210042	3	0,56 L/MIN DETERGENT JET
8	R58004980	2	WASHING DEVICE ROTATION BUSH
9	R65110650	1	BOTTOM FILTER
10	R62220012	2	SPHERA D.14
11	R61620041	2	SPRING
12	R58005000	2	1/2" MALE COVER
13	R65110640	2	ANTI-BACK FLOW
14	R70010050	4	OR GASKETS
15	R62090468	5	"T" MIDLING PIPE FITTING D.10
16	R62090508	1	10X1/4 STRAIGHT THREADED TERMINAL PIPE FITTING
17	R62090518	3	10X1/4 END SIDE PIPE FITTING (WITH TANG)
18	R62090528	10	ELBOW PIPE FITTING (WITH TANG) 10 X 10
19	R62090478	4	ELBOW MIDLING PIPE FITTING D.10

POS.	CODE	PIECES	DESCRIPTION
20	R62090538	1	1/4" FEMALE STRAIGHT PIPE FITTING FOR D.8X6 PIPE
21	R62090482	1	RAPID MALE PIPE FITTING
22	R62090492	1	RAPID FEMALE PIPE FITTING
23	R62090608	1	8X1/8 END SIDE PIPE FITTING (WITH TANG)
24	R62090458	1	STRAIGHT MIDLING PIPE FITTING D.10
25	R62090618	1	10-8 REDUCTION PIPE FITTING
26	R62090548	4	10-6 REDUCTION PIPE FITTING
27	R70070100	1	PE D.8 MM X 6 DETERGENT FLEXIBLE PIPE
28	R70070050	1	PE D.10 MM X7 WATER FLEXIBLE PIPE (3 MT LONG)
29	R65110210	1	SOLENOID VALVE 220V 50HZ
30	R11402000	1	WASHING DEVICE EXTERNAL HOLDER
31	R11100550	1	TUBE DEVICE SUPPORT WASHING
32	R62300028	1	ANTI-BACK FLOW DEVICE ASSEMBLY
33	R65110260	2	SOLENOID VALVE D.6 220V 50HZ
34	R65170050	2	RELAY 4052 240V AC 10A