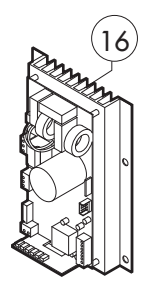
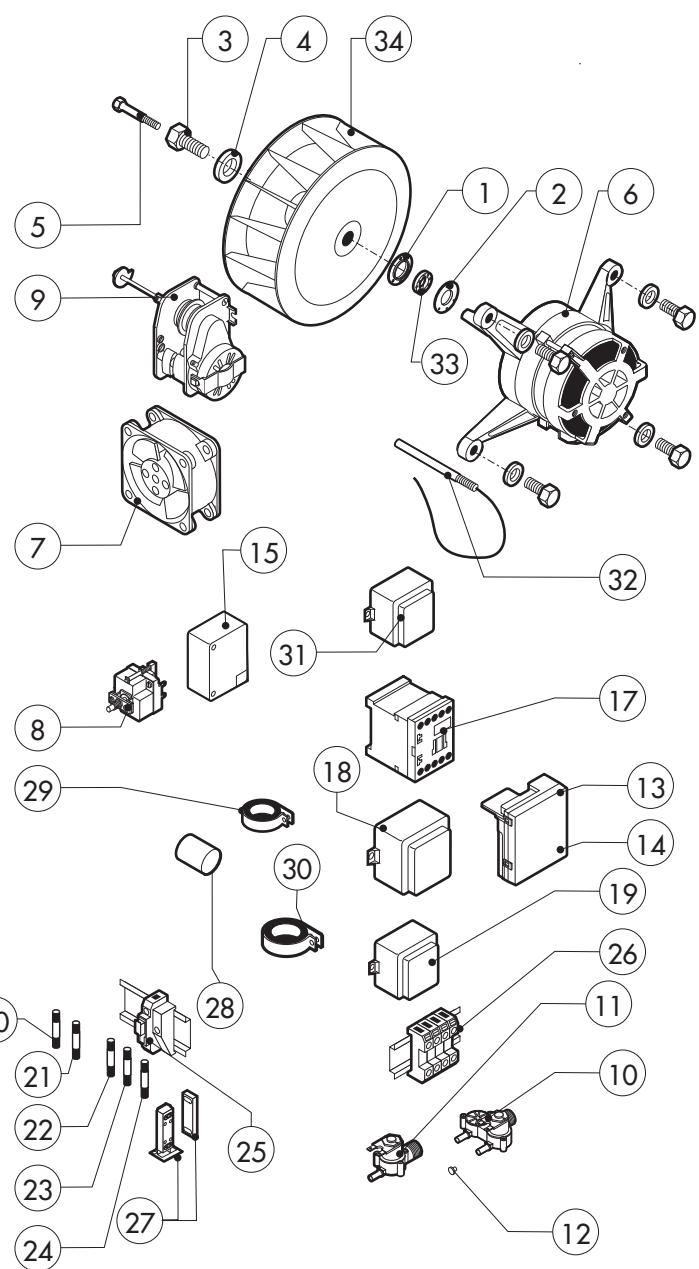
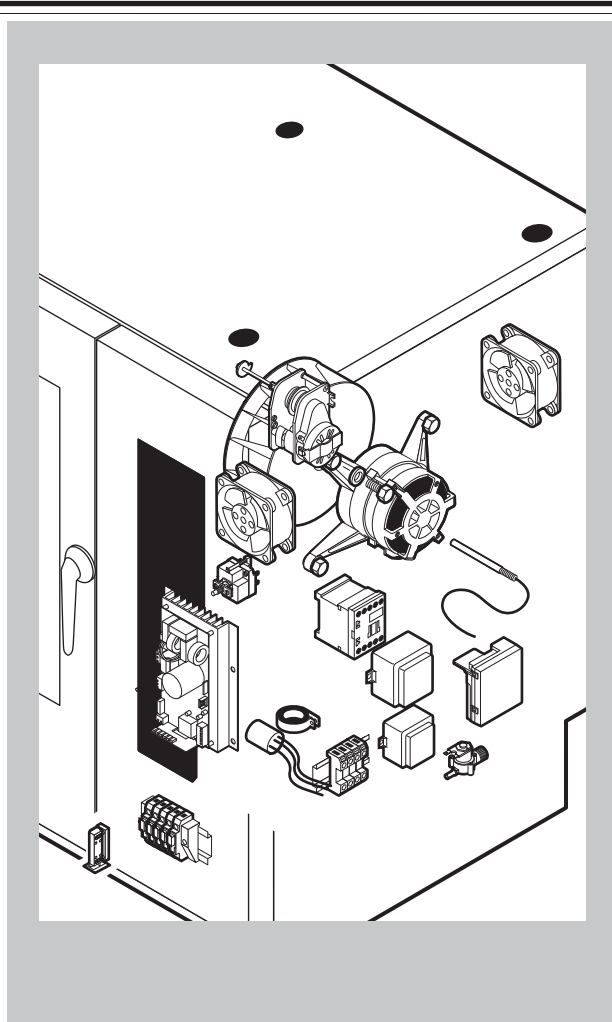


POS.	CODE	PIECES	DESCRIPTION
1	R14214700	1	DOOR
2	R14214440	1	INNER DOOR PANEL
3	R69180200	1	INNER DOOR PANEL DRIP TRAY
4	R71201660	1	INNER DOOR GLASS
5	R69180000	1	DOOR DRIP TRAY DRAINAGE
6	R58001760	2	INNER GLASS SOLID HINGE
7	R58001770	2	INNER GLASS HINGE PIN
8	R58001780	2	INNER GLASS CATCH KIT
9	R11401340	1	TOP "C" PROFILE
10	R11401360	1	LOWER "C" PROFILE
11	R11207240	1	LOWER DOOR HINGE
12	R58002670	1	LOWER HINGE PIN
13	R11200560	1	UPPER DOOR HINGE
14	R58002150	1	HINGE PIN
15	R58004050	2	NUT FOR UPPER DOOR HINGE
16	R10401710	1	WASHER FOR UPPER DOOR HINGE
17	R70050100	6	GLASS SILICON SPACERS
18	R70040640	1	GLASS GASKET
19	R66110320	1	DOOR LAMPS CABLE SET

POS.	CODE	PIECES	DESCRIPTION
20	R11401440	2	LAMP COVER
21	R71500150	2	GLASS LAMP
22	R70044200	2	LAMP GASKET
23	R11401450	2	GLASS HOLDER LAMP FLANGE
24	R65270020	2	LIGHT 20W 12V G4
25	R65270450	2	LIGHT SOCKET
26	R65260750	1	LAMPS CONTACT BLOCK
27	R66110300	1	LAMPS CONTACT CABLE SET
28	R11100300	1	DOOR HANDLE ASSEMBLY
29	R69010260	1	DOOR LATCH 1 STEP
30	R69010270	1	DOOR LATCH 2 STEP
31	R69010250	1	DOOR CATCH KIT
32	R69010630	1	INNER DOOR CATCH PLASTIC COVER
33	R61620132	1	PRONG FLANGE



POS.	CODE	PIECES	DESCRIPTION
1	R58003840	1	MOTOR GASKET BRASS FLANGE
2	R58003850	1	MOTOR GASKET BRASS COUNTER FLANGE
3	R58004000	1	FAN SCREW M12x1.5 SX
4	R58004010	1	FAN WASHER Ø 30/12.5
5	R61020562	1	FAN SCREW TE A2 M6x55
6	*R65040530	1	MOTOR 055 KW 200/440V KIT
7	R65060050	2	COMPONENTS VENTILATION MOTOR Ø 120
8	R65070350	1	CHAMBER SAFETY THERMOSTAT
9	R65095000	1	DAMPER SYSTEM
10	R65110230	1	SOLENOID VALVE 220V 50HZ
11	R65110200	1	SOLENOID VALVE 220V 50HZ
12	R65110510	1	15 LT/H WATER FLOW REDUCER
13	R63060140	1	BURNER IGNITION PANEL UNTIL N=5207
14	R63060160	1	BURNER IGNITION PANEL FROM N=0108
15	R65180270	1	IGNITION TRANSFORMER FROM N=0108
16	R65140830	1	INVERTER 0,8KW
	R65140890	1	INVERTER 0,8KW ECS P0010205-0 FROM 11/04/2011
17	*R65140700	1	CONTACTOR DIL M9-01 4KW-20A
18	R65180430	1	TRANSFORMER 40VA
19	R65180420	1	TRANSFORMER 20VA
20	R65200370	1	FUSE 8A
21	R65200200	1	FUSE 2A

POS.	CODE	PIECES	DESCRIPTION
22	R65200160	1	FUSE 1A
23	R65200350	1	FUSE 0.200A (T)
24	R65200086	1	FUSE 0.125A (T)
25	R65210020	5	FUSE CARRIER
26	R65220280	1	TERMINAL BOARD
27	R65265100	1	DOOR SWITCH
28	*R65280230	1	INTERFERENCE SUPPRESSOR
29	*R65280480	1	FERRITE FT25
30	*R65280490	1	FERRITE FT35
31	*R65450200	1	INDUCTANCE
32	R65320150	2	PROBE PT100
33	R70020050	1	MOTOR GASKET
34	*R75400440	1	FAN Ø 350x114/12 50HZ P.D. KIT

\*COMPONENT SUBMITTED TO CHANGEMENTS CAUSED BY TENSION DIFFERENT FROM THE STANDARD (AC 230V 50HZ)





