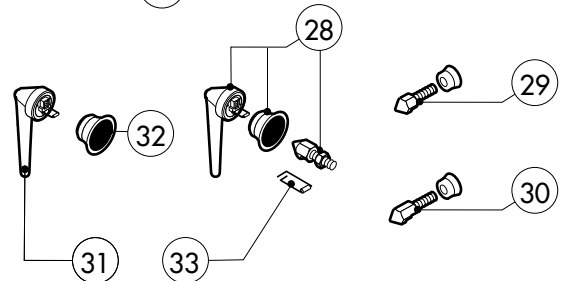
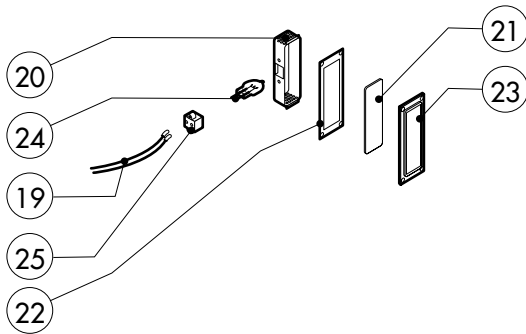
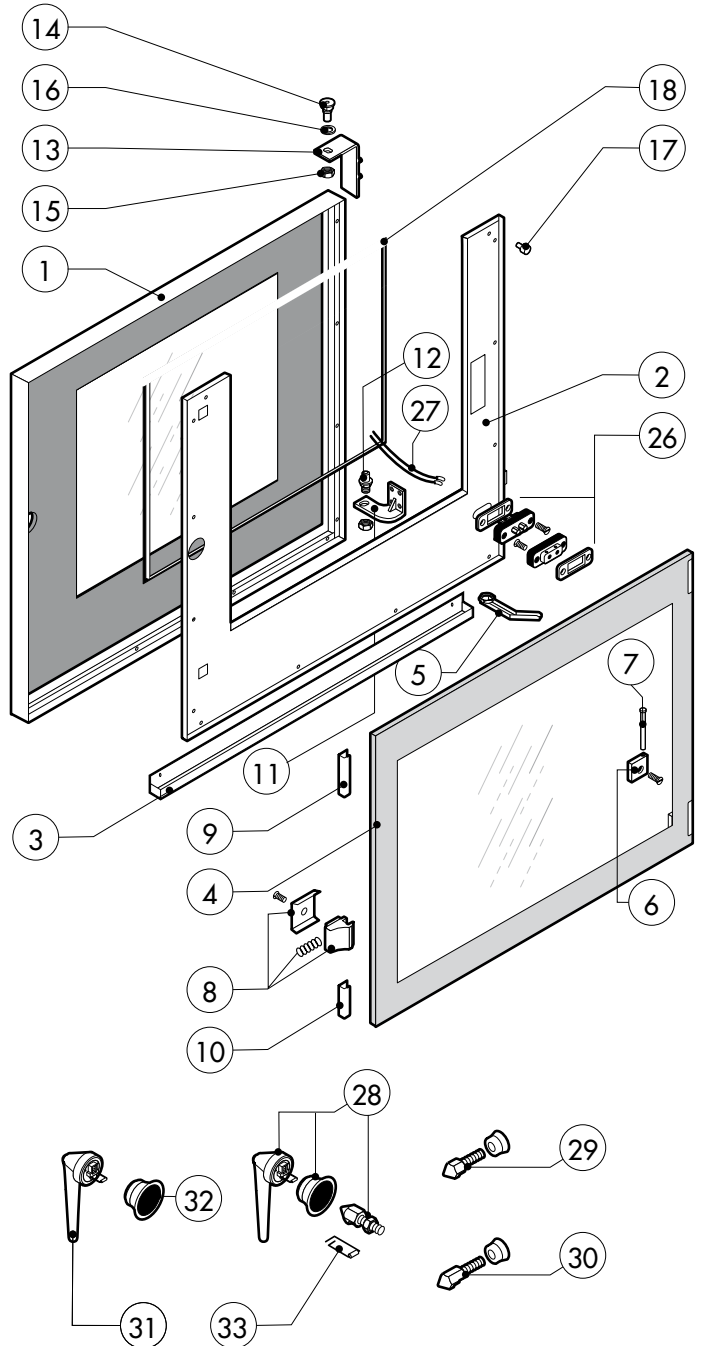
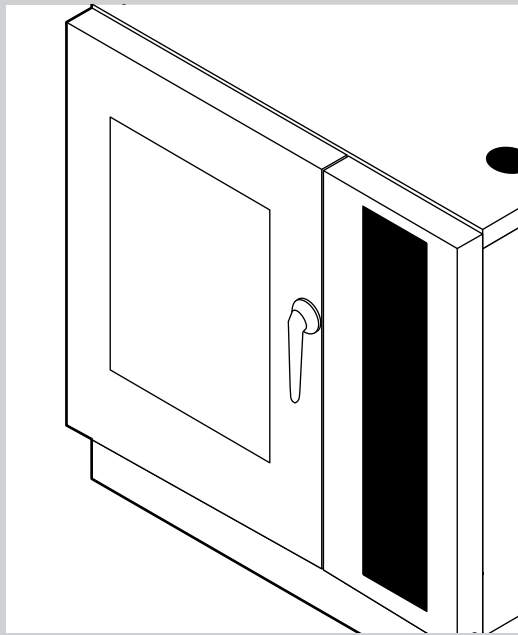


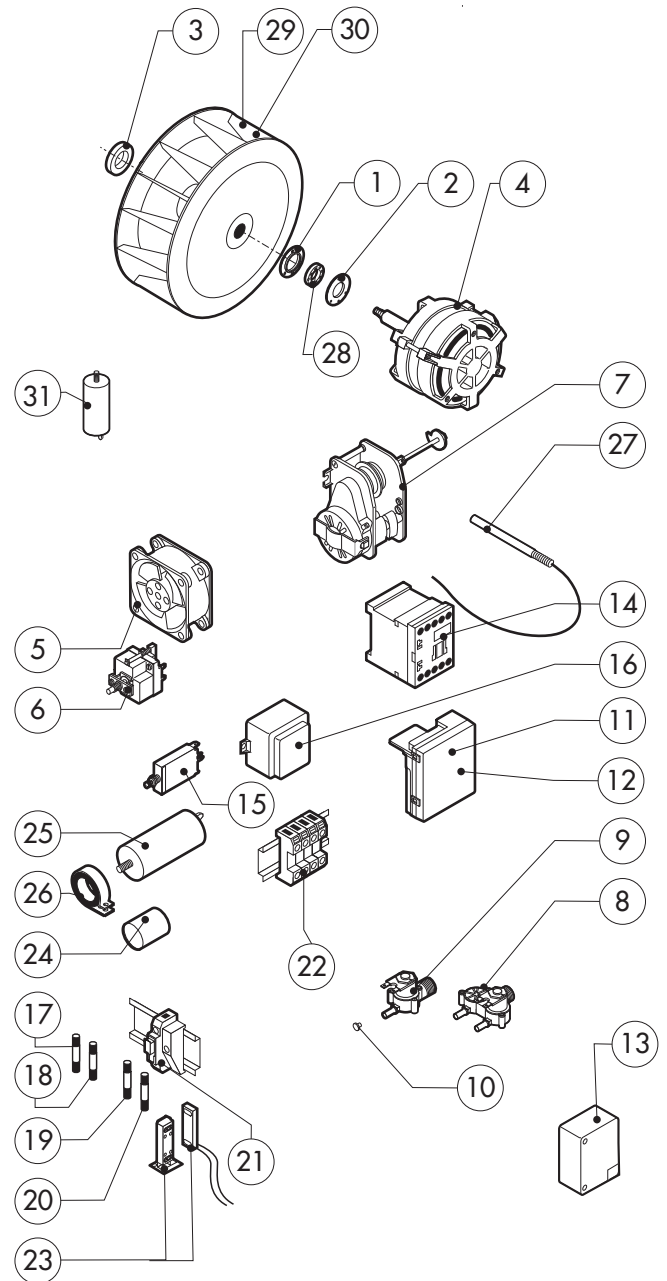
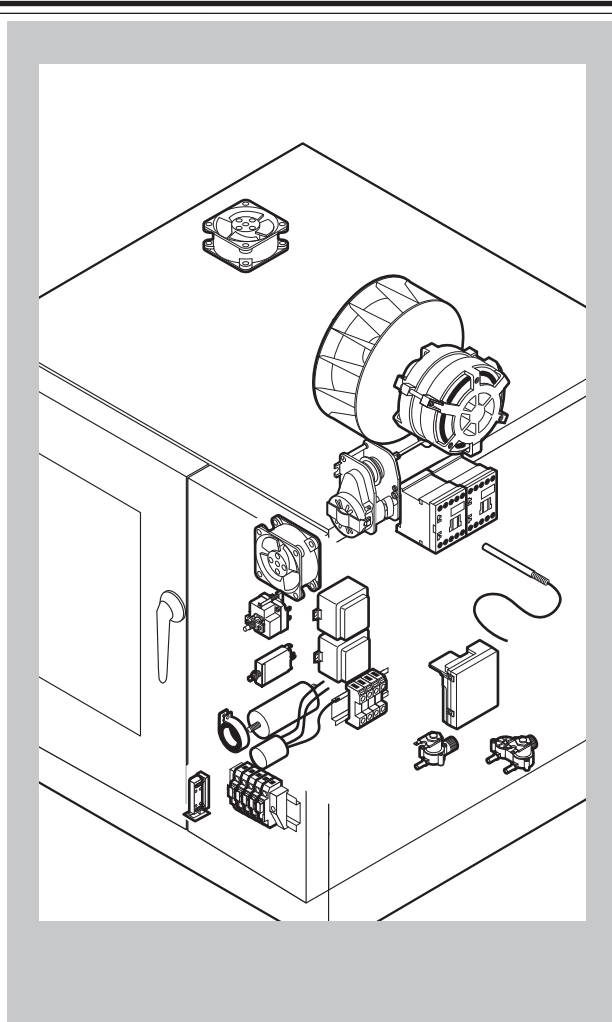
POS.	CODE	PIECES	DESCRIPTION
1	R14102010	1	DOOR ASSEMBLY
2	R14214470	1	CONTROL PANEL
3	R11200650	1	SPRITZER EXTENSION
4	R11200380	1	SPRITZER UNION
5	R14102121	1	COOKING CABINET ASSEMBLY
6	R14102141	1	COOKING CABINET ASSEMBLY
7	R14210641	1	FAN GUARD PANEL ASSEMBLY
8	R14214380	1	RIGHT SIDE PANEL
9	R14214390	1	LEFT SIDE PANEL
10	R14214400	1	REAR PANEL
11	R14214180	1	COVER PANEL
12	R58003110	2	FAN GUARD FASTENING SCREW
13	R70044210	1	FRONT GASKET
14	R75300030	1	FAN GUARD GRID Ø 190
15	R69180190	1	DRIP TRAY
16	R14210680	1	REMOVABLE RACK DX
17	R14210690	1	REMOVABLE RACK SX

POS.	CODE	PIECES	DESCRIPTION



POS.	CODE	PIECES	DESCRIPTION
1	R14214200	1	DOOR
2	R14214430	1	INNER DOOR PANEL
3	R69180200	1	INNER DOOR PANEL DRIP TRAY
4	R71201650	1	INNER DOOR GLASS
5	R69180000	1	DOOR DRIP TRAY DRAINAGE
6	R58001760	2	INNER GLASS SOLID HINGE
7	R58001770	2	INNER GLASS HINGE PIN
8	R58001780	2	INNER GLASS CATCH KIT
9	R11401340	1	TOP "C" PROFILE
10	R11401360	1	LOWER "C" PROFILE
11	R11207240	1	LOWER DOOR HINGE
12	R58002670	1	LOWER HINGE PIN
13	R11200560	1	UPPER DOOR HINGE
14	R58002150	1	HINGE PIN
15	R58004050	2	NUT FOR UPPER DOOR HINGE
16	R10401710	1	WASHER FOR UPPER DOOR HINGE
17	R70050100	6	GLASS SILICON SPACERS
18	R70042760	1	GLASS GASKET
19	R66110310	1	DOOR LAMPS CABLE SET

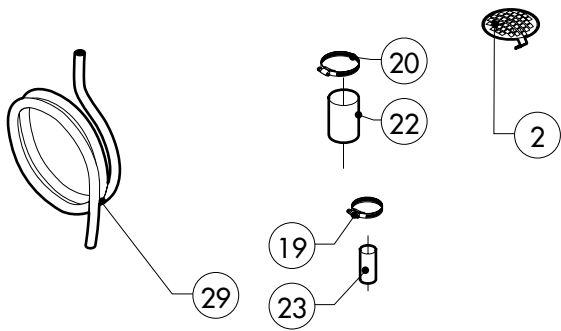
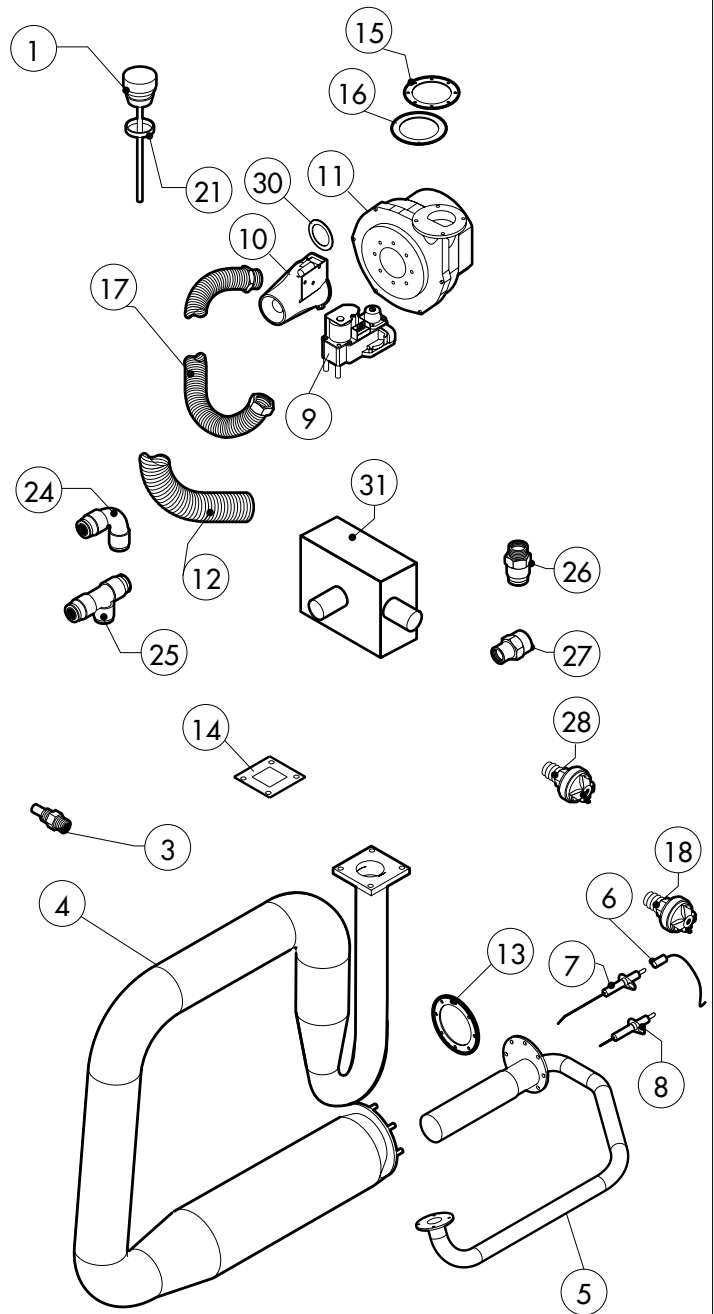
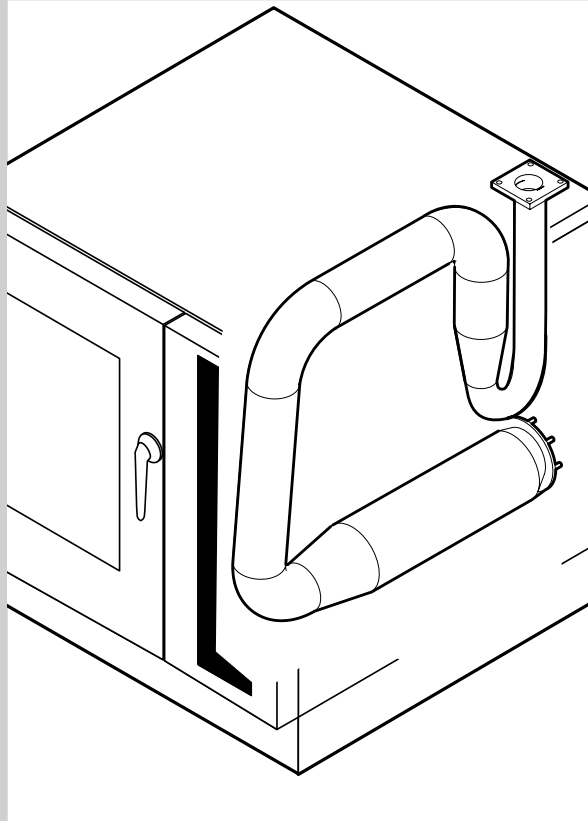
POS.	CODE	PIECES	DESCRIPTION
20	R11401440	1	LAMP COVER
21	R71500150	1	GLASS LAMP
22	R70044200	1	LAMP GASKET
23	R11401450	1	GLASS HOLDER LAMP FLANGE
24	R65270020	1	LIGHT 20W 12V G4
25	R65270450	1	LIGHT SOCKET
26	R65260750	1	LAMPS CONTACT BLOCK
27	R66110300	1	LAMPS CONTACT CABLE SET
28	R11100300	1	DOOR HANDLE ASSEMBLY
29	R69010260	1	DOOR LATCH 1 STEP
30	R69010270	1	DOOR LATCH 2 STEP
31	R69010250	1	DOOR CATCH KIT
32	R69010630	1	INNER DOOR CATCH PLASTIC COVER
33	R61620132	1	PRONG FLANGE



POS.	CODE	PIECES	DESCRIPTION
1	R58003860	1	MOTOR GASKET BRASS FLANGE
2	R58003870	1	MOTOR GASKET BRASS COUNTER FLANGE
3	R61400052	1	FAN WASHER Ø 21/10.5
4	*R65040421	1	MOTOR KW 025 2P 220-240V KIT
5	R65060050	2	COMPONENTS VENTILATION MOTOR Ø 120
6	R65070350	1	CHAMBER SAFETY THERMOSTAT
7	R65095000	1	DAMPER SYSTEM
8	R65110230	1	SOLENOID VALVE 220V 50HZ
9	R65110200	1	SOLENOID VALVE 220V 50HZ
10	R65110500	1	10 LT/H WATER FLOW REDUCER
11	R63060140	1	BURNER IGNITION PANEL UNTIL N=5207
12	R63060160	1	BURNER IGNITION PANEL FROM N=0108
13	R65180270	1	IGNITION TRANSFORMER FROM N=0108
14	*R65140700	2	CONTACTOR DIL M9-01 4KW-20A
15	*R65160320	1	THERMIC PROTECTION T12-211S-2A
16	R65180420	2	TRANSFORMER 20VA
17	R65200200	1	FUSE 2A
18	R65200160	1	FUSE 1A
19	R65200320	1	FUSE 0.200A (T)

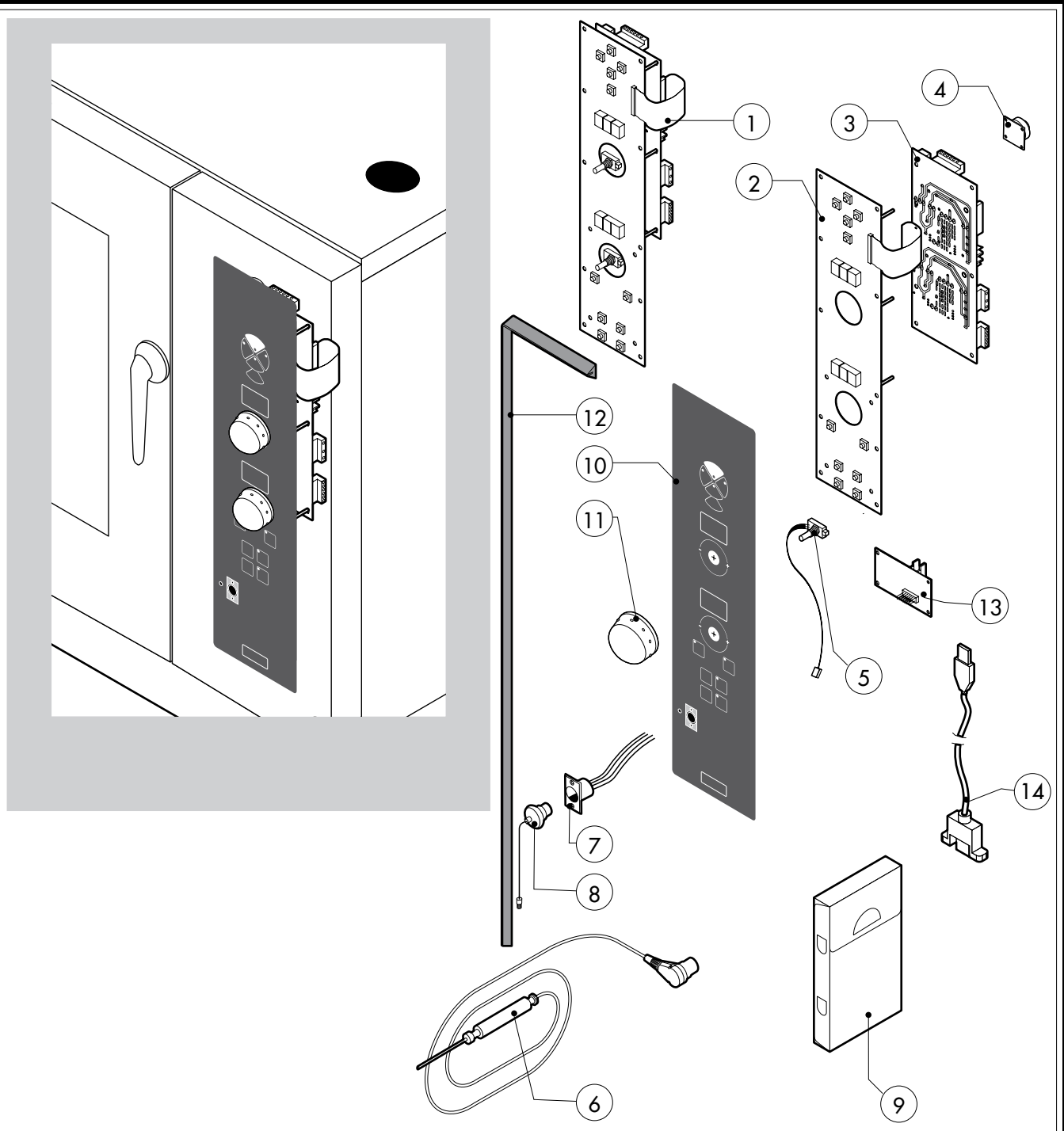
POS.	CODE	PIECES	DESCRIPTION
20	R65200086	1	FUSE 0.125A (T)
21	R65210020	4	FUSE CARRIER
22	R65220280	1	TERMINAL BOARD
23	R65265100	1	DOOR SWITCH
24	*R65280230	3	INTERFERENCE SUPPRESSOR
25	*R65190180	1	CAPACITOR 10 °F
26	*R65280490	1	FERRITE FT35
27	R65320220	2	PROBE "K" 6x80 1,5ml
28	R70020040	1	MOTOR GASKET
29	*R75400490	1	FAN Ø 220x78/12 50HZ P.D. KIT
30	R75400530	1	FAN Ø 220x78/8 60HZ P.D. KIT
31	R65190180	1	CAPACITOR 10 µF

*COMPONENT SUBMITTED TO CHANGEMENTS CAUSED BY TENSION DIFFERENT FROM THE STANDARD (AC 230V 50HZ)



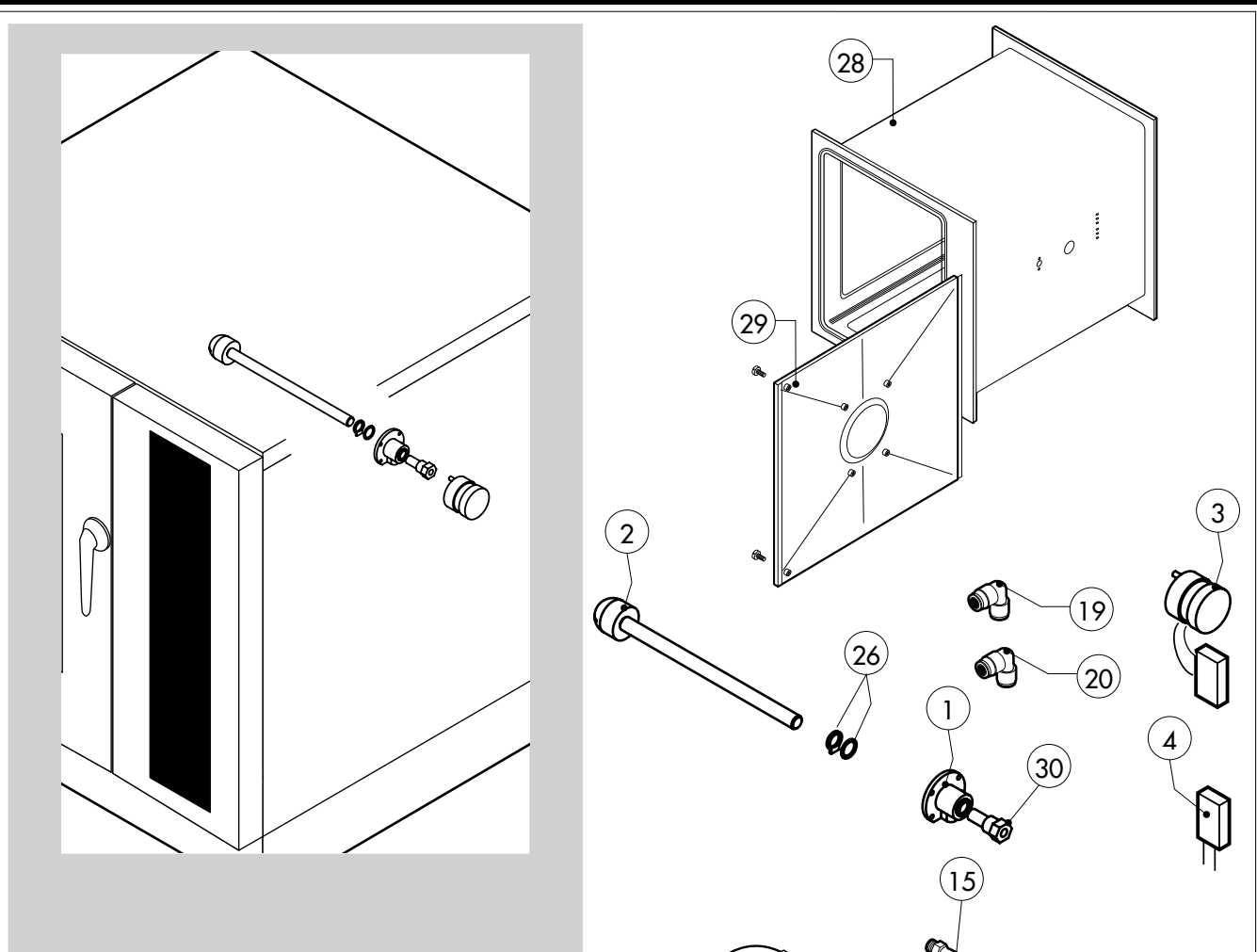
POS.	CODE	PIECES	DESCRIPTION
1	R10100140	1	DAMPER SYSTEM CAP
2	R10201700	1	DRAIN FILTER
3	R58006130	2	STEAM QUENCHING NOZZLE Ø 1
4	R14214190	1	HEAT EXCHANGER ACCESSORIES INCLUDED
5	R14214331	1	COOKING CABINET BURNER
6	R66605800	1	FLAME IGNITION CABLE/FLAME SENSOR CABLE
7	R63050100	1	IGNITOR
8	R63050130	2	IGNITOR
9	R63020170	1	GAS SOLENOID VALVE
10	R63120020	1	VENTURI TUBE
11	R65060360	1	GAS BURNER FAN MOTOR
12	R77700056	1 MT	AIR INLET FLEXIBLE PIPE
13	R63140070	2	BURNER/HEAT EXCHANGER GASKET
14	R63140010	2	BOILER/HEAT EXCHANGER GASKET
15	R63140050	2	BURNER/FAN MOTOR GASKET
16	R11430360	1	ORIFICE D.13
17	R62180082	1	GAS INLET FLEXIBLE PIPE
18	R63070010	1	GAS SAFETY PRESSURE SWITCH PG 901.61
19	R61630011	2	METAL CLAMPS 12-22/9

POS.	CODE	PIECES	DESCRIPTION
20	R61630031	4	METAL CLAMPS 40-60/9
21	R70060020	1	DAMPER SYSTEM CAP GASKET
22	R70060040	2	SILICON COUPLING Ø 50
23	R70060080	1	SILICON COUPLING Ø 13
24	R62090478	5	ELBOW MIDLING PIPE FITTING D.10
25	R62090468	1	"T" MIDLING PIPE FITTING D.10
26	R62090508	1	10X1/4 STRAIGHT THREADED TERMINAL PIPE FITTING
27	R62030118	1	1/8"-1/4" FEMALE REDUCTION COUPLING
28	R63070050	1	WATER SAFETY PRESSURE SWITCH 1/8" 0,5-0,35 BAR
29	R70070050	1	PE D.10 MM X7 WATER FLEXIBLE PIPE (3 MT LONG)
30	R58004170	2	ORIFICE
31	R69180120	1	QUENCHING-DRAIN COLLECTOR



POS.	CODE	PIECES	DESCRIPTION
1	R65302151	1	CONTROL PANEL P.C. BOARD "P" MOD
2	R65302181	1	RELAY PC BOARD "P" MOD
3	R65302191	1	MAIN PC BOARD "P" MOD
4	R65301960	1	PC BOARD BUZZER
5	R65301940	2	FRONT PC BOARD ENCODER
6	R65321120	1	CORE TEMPERATURE PROBE
7	R65320920	1	CORE TEMPERATURE PROBE FEMALE CONNECTOR
8	R65321020	1	COVER FOR FEMALE CONNECTOR
9	R86020420	1	CORE TEMPERATURE PROBE BOX
10	-	1	PLATE "P"
11	R69030260	2	KNOB
12	R70044250	1	CONTROL PANEL GASKET
13	R65301950	1	BOILER CONTROL PC BOARD
14	R65301970	1	PC BOARD CONNECTION USB

POS.	CODE	PIECES	DESCRIPTION



POS.	CODE	PIECES	DESCRIPTION
1	R58007020	1	WASHING SYSTEM FLANGE
2	R58007040	1	WASHING SYSTEM INNER ASSEMBLY
3	R65090250	1	WASHING GEARED MOTORS WITH CAPACITOR
4	R65190230	1	CAPACITOR 0,27 F
5	R65110600	1	DETRGENT PUMP
6	R65110650	1	BOTTOM FILTER
7	R62090508	1	10X1/4 STRAIGHT THREADED TERMINAL PIPE FITTING
8	R62090518	5	10X1/4 END SIDE PIPE FITTING (WITH TANG)
9	R70010050	6	OR GASKETS
10	R65110640	2	ANTI-BACK FLOW
11	R62090528	3	ELBOW PIPE FITTING (WITH TANG) 10 X 10
12	R62090608	1	8X1/8 END SIDE PIPE FITTING (WITH TANG)
13	R62090468	1	"T" MIDLING PIPE FITTING D.10
14	R62090618	1	10-8 REDUCTION PIPE FITTING
15	R62090648	1	ELBOW PIPE FITTING
16	R62090458	1	STRAIGHT MIDLING PIPE FITTING D.10
17	R62090482	1	RAPID MALE PIPE FITTING
18	R62090538	1	1/4" FEMALE STRAIGHT PIPE FITTING FOR D.8X6 PIPE
19	R62090633	1	ELBOW PIPE FITTING BRASS D.10

POS.	CODE	PIECES	DESCRIPTION
20	R62090663	1	ELBOW PIPE FITTING BRASS D.10x1/4"
21	R70070100	1	PE D.8 MM X 6 DETERGENT FLEXIBLE PIPE
22	R70070070	1	PE D.10 MM X7 WATER FLEXIBLE PIPE (3 MT LONG)
23	R70070080	1	PE D.23 MM X13 FLEXIBLE PIPE (1 MT LONG)
24	R70070090	1	PE D.12 MM X7 SILICONE PIPE (1 MT LONG)
25	R65110210	1	SOLENOID VALVE 220V 50HZ
26	R70045120	1	GASKETS KIT
27	R61630011	2	METAL CLAMPS 12-22/9
28	R14215650	1	COOKING CABINET ASSEMBLY
29	R14210630	1	FAN GUARD PANEL ASSEMBLY
30	R58007000	1	ROTATING PIVOT