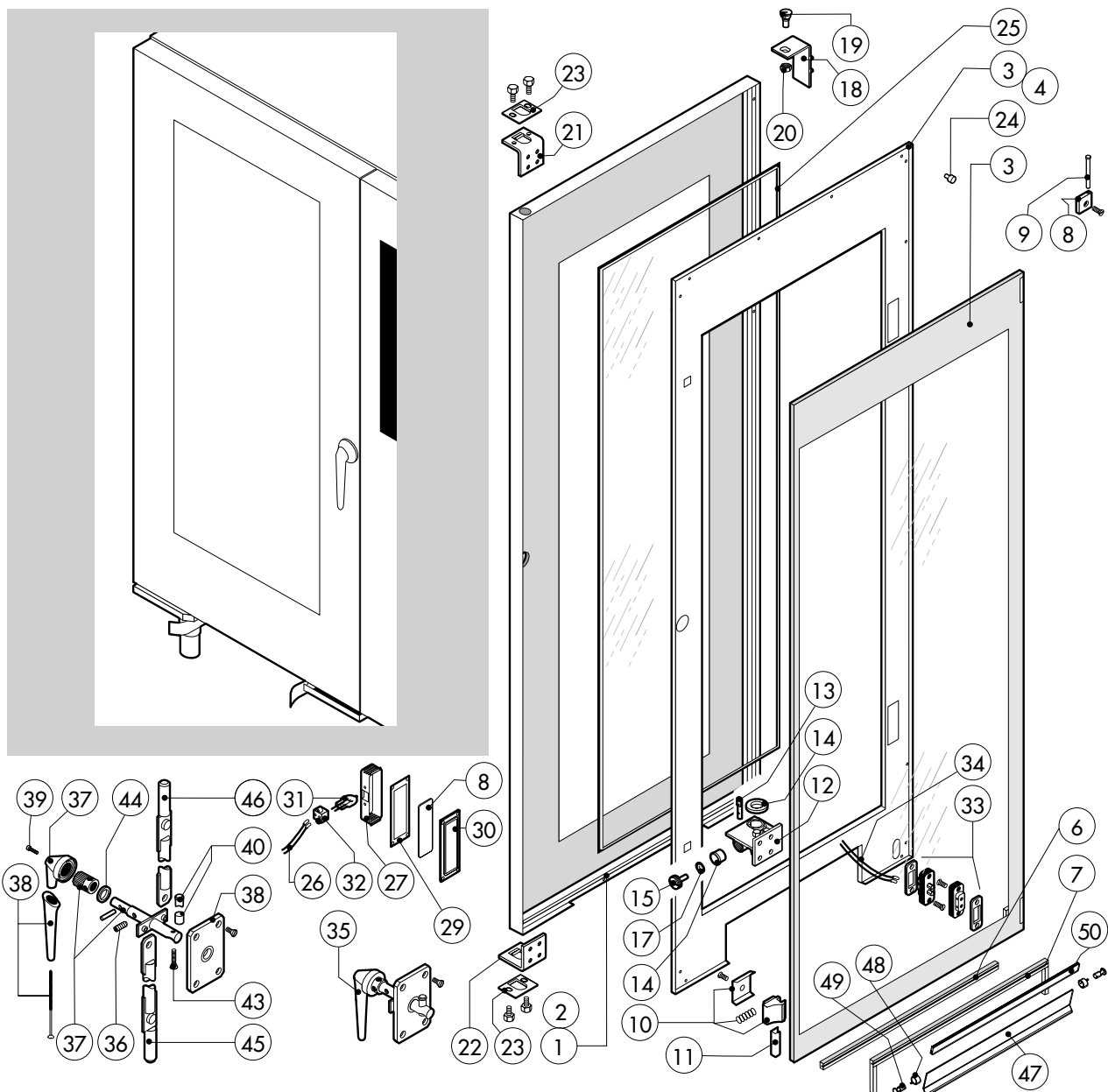


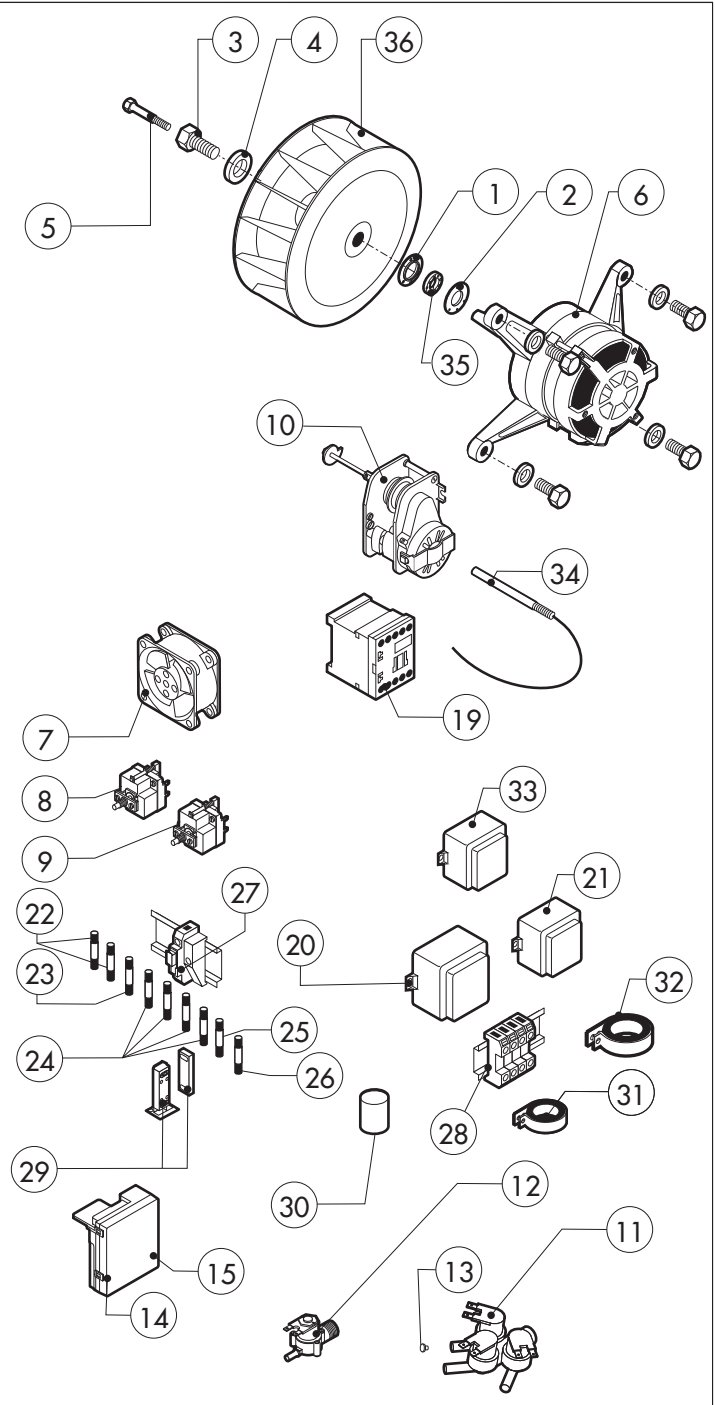
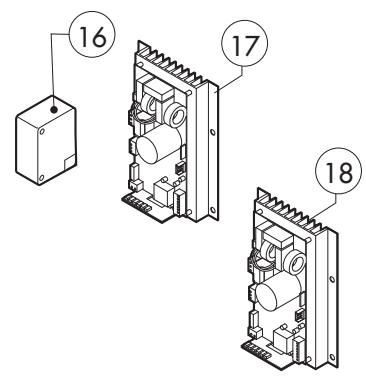
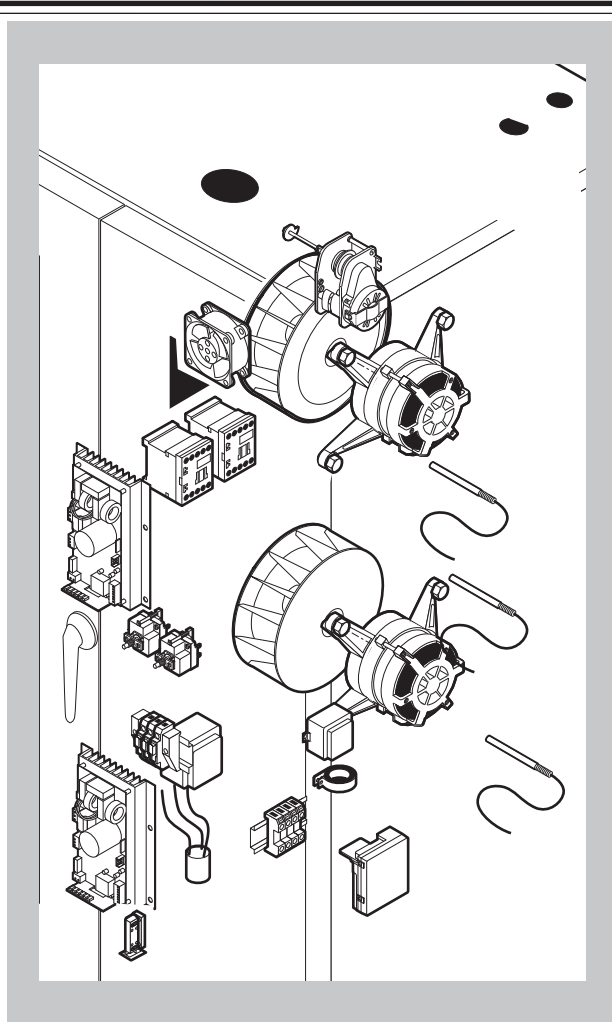
POS.	CODE	PIECES	DESCRIPTION
1	R11100120	1	DOOR ASSEMBLY UNTIL N° 2507
2	R11100280	1	DOOR ASSEMBLY FROM N° 2607
3	R11200910	1	CONTROL PANEL
4	R11201990	2	SPRITZER EXTENSION
5	R11202270	2	SPRITZER UNION
6	R11206292	1	COOKING CABINET ASSEMBLY
7	R11206442	1	WASHING SYSTEM COOKING CABINET ASSEMBLY
8	R11203150	1	TOP FAN GUARD PANEL ASSEMBLY
9	R11206100	1	LOWER FAN GUARD PANEL ASSEMBLY
10	R11206141	1	RIGHT SIDE PANEL
11	R11206131	1	LEFT SIDE PANEL
12	R11413950	1	REAR PANEL
13	R11224100	1	COVER PANEL
14	R58003100	4	FAN GUARD FASTENING SCREW
15	R70044140	1	FRONT GASKET
16	R75300090	2	FAN GUARD GRID Ø 350
17	R69070020	4	FOOT 1"1/2x130
18	R69090090	2	WHEEL
19	R69090100	2	WHEEL WITH BRAKE

POS.	CODE	PIECES	DESCRIPTION
20	R10457840	1	HANDLE FOR TROLLEY



POS.	CODE	PIECES	DESCRIPTION
1	R11100181	1	DOOR UNTIL N° 2507
2	R11206180	1	DOOR FROM N° 2607
3	R11205361	1	INNER DOOR PANEL UNTIL N° 2507
4	R11206190	1	INNER DOOR PANEL FROM N° 2607
5	R11100150	1	INNER DOOR GLASS
6	R70044300	1	GASKET FOR TROLLEY(0,7MT) UNTIL N° 2507
7	R70044360	1	GASKET FOR TROLLEY FROM N° 2607
8	R58001760	2	INNER GLASS SOLID HINGE
9	R58001770	2	INNER GLASS HINGE PIN
10	R58001780	2	INNER GLASS CATCH KIT
11	R11411860	2	"C" PROFILE
12	R11205390	1	LOWER DOOR HINGE WITH RETAINER
13	R58002540	1	DOOR PIVOT SUNK KEY
14	R58002550	1	DOOR RETAINER GUIDE SHOE
15	R58002560	1	SCREW FOR LOWER DOOR HINGE
16	R58002570	1	WASHER Ø 30/15x3
17	R61620091	16	BELLEVILLE WASHER Ø 14/6.4
18	R11200560	1	UPPER DOOR HINGE
19	R58002150	1	HINGE PIN
20	R58004050	1	NUT FOR UPPER DOOR HINGE
21	R11411520	1	UPPER SQUARE FOR DOOR ROD
22	R11205400	1	LOWER SQUARE FOR DOOR ROD
23	R10207680	2	DOOR ROD ADJUSTABLE PLATE
24	R70050100	9	GLASS SILICON SPACERS
25	R70044160	1	GLASS GASKET (3,72MT)
26	R66110320	1	DOOR LAMPS CABLE SET

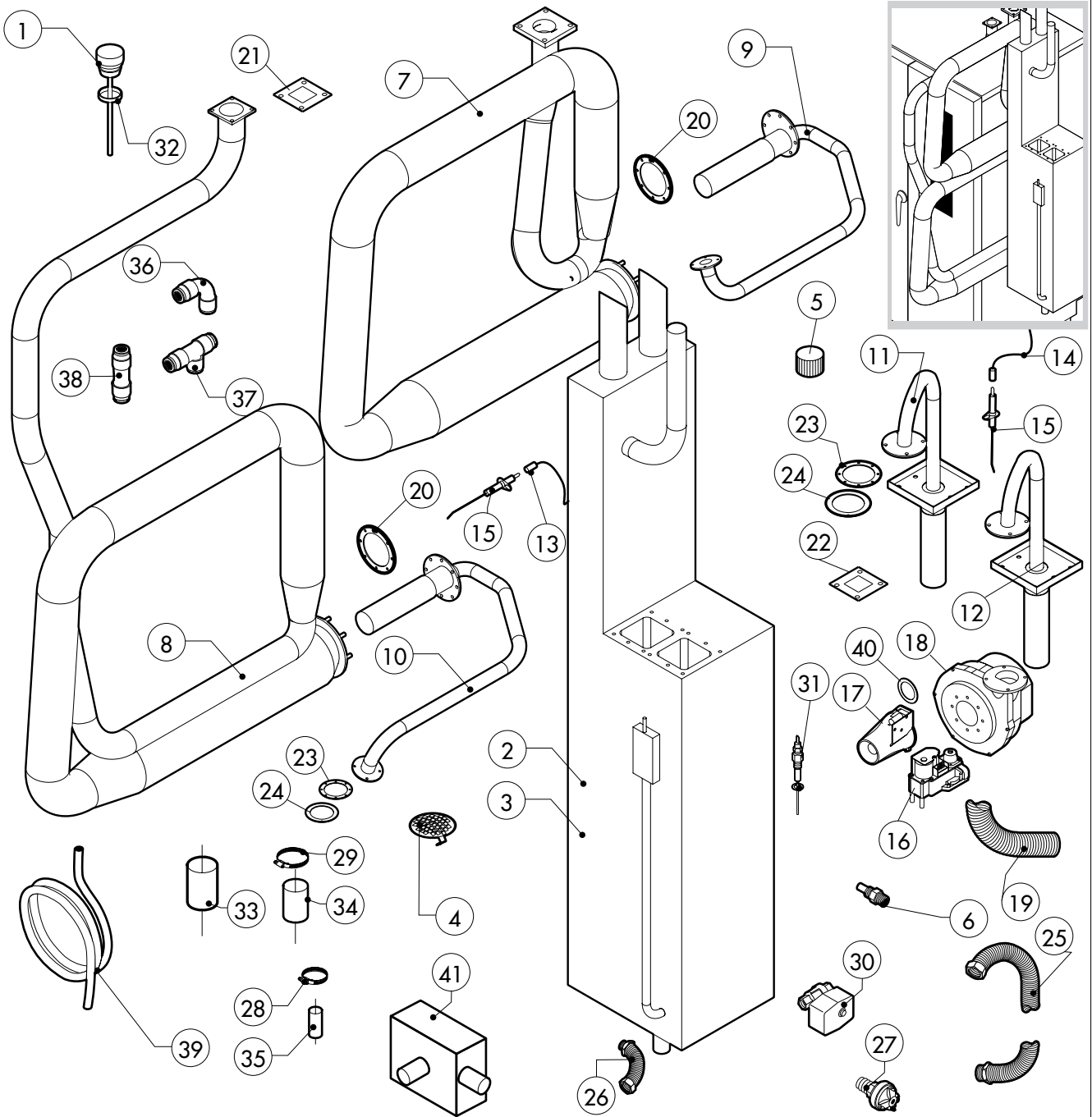
POS.	CODE	PIECES	DESCRIPTION
27	R11401440	2	LAMP COVER
28	R71500150	2	GLASS LAMP
29	R70044200	2	GLASS LAMP
30	R11401450	2	GLASS HOLDER LAMP FLANGE
31	R65270020	2	LIGHT 20W 12V G4
32	R65270450	2	LIGHT SOCKET
33	R65260750	1	LAMPS CONTACT BLOCK
34	R66110300	1	LAMPS CONTACT CABLE SET
35	R11100310	1	DOOR HANDLE ASSEMBLY
36	R61090052	1	GRUB SCREW M6x16
37	R69010600	1	DOOR HANDLE
38	R69010610	1	HANDLE
39	R61030601	1	CYLINDRICAL HEAD SCREW
40	R11205340	1	DOOR HANDLE PIN
41	R03200970	1	DOOR LOCK REAR FLANGE
42	R58004781	1	DOOR HANDLE HOOK
43	R61040272	1	DOOR HANDLE HOOK SCREW
44	R61420021	1	ELASTIC WASHER
45	R11205381	1	LOWER DOOR ROD
46	R11205370	1	UPPER DOOR ROD
47	R11437460	1	CLOSING PLATE
48	R65491250	1	CLOSING PLATE SPRING ASSEMBLY
49	R58006860	2	CLOSING PLATE RORAZIONE PIVOT
50	R80100910	0,65mt	CLOSING PLATE GASKET



POS.	CODE	PIECES	DESCRIPTION
1	R58003840	2	MOTOR GASKET BRASS FLANGE
2	R58003850	2	MOTOR GASKET BRASS COUNTER FLANGE
3	R58004000	2	FAN SCREW M12x1.5 SX
4	R58004010	2	FAN WASHER Ø 30/12.5
5	R61020562	2	FAN SCREW TE A2 M6x55
6	*R65040530	2	MOTOR 055 KW 200/440V KIT
7	R65060050	4	COMPONENTS VENTILATION MOTOR Ø 120
8	R65070350	1	CHAMBER SAFETY THERMOSTAT
9	R65070081	1	STEAM GENERATOR SAFETY THERMOSTAT
10	R65095000	1	DAMPER SYSTEM
11	R65110280	1	SOLENOID VALVE 220V 50HZ
12	R65110200	1	SOLENOID VALVE 220V 50HZ
13	R65110500	2	10 LT/H WATER FLOW REDUCER
14	R63060140	4	BURNER IGNITION PANEL UNTIL N=5207
15	R63060160	4	BURNER IGNITION PANEL FROM N=0108
16	R65180270	4	IGNITION TRANSFORMER FROM N=0108
17	R65140830	1	TOP INVERTER 0,8KW
	R65140890	1	INVERTER 0,8KW ECS P0010205-0 FROM 11/04/2011
18	R65140850	1	LOWER INVERTER 0,8KW

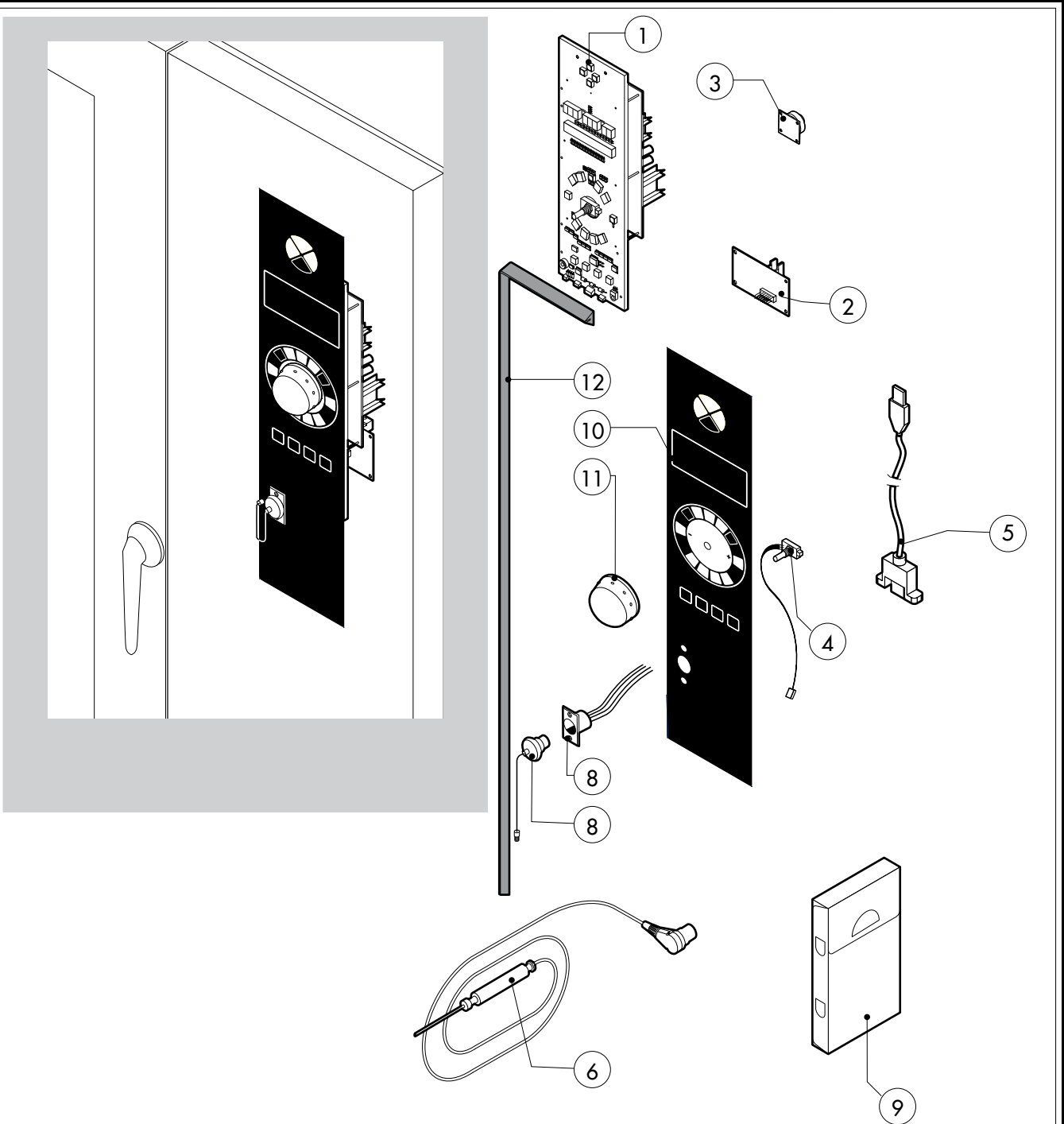
POS.	CODE	PIECES	DESCRIPTION
19	*R65140380	1	CONTACTOR 3RT1016-1AP02 240V
20	R65180430	1	TRANSFORMER 40VA
21	R65180420	1	TRANSFORMER 20VA
22	R65200370	2	FUSE 8A
23	R65200200	1	FUSE 2A
24	R65200160	4	FUSE 1A
25	R65200350	1	FUSE 0.200A (T)
26	R65200086	1	FUSE 0.125A (T)
27	R65210020	9	FUSE CARRIER
28	R65220220	1	TERMINAL BOARD
29	R65265100	1	DOOR SWITCH
30	*R65280230	1	INTERFERENCE SUPPRESSOR
31	*R65280480	2	FERRITE FT25
32	*R65280490	1	FERRITE FT35
33	*R65450200	2	INDUCTANCE
34	R65320150	3	PROBE PT100 1,5 MT
35	R70020050	2	MOTOR GASKET
36	*R75400440	2	FAN Ø 350x114/12 50HZ P.D. KIT

*COMPONENT SUBMITTED TO CHANGEMENTS CAUSED BY TENSION DIFFERENT FROM THE STANDARD (AC 230V 50HZ)



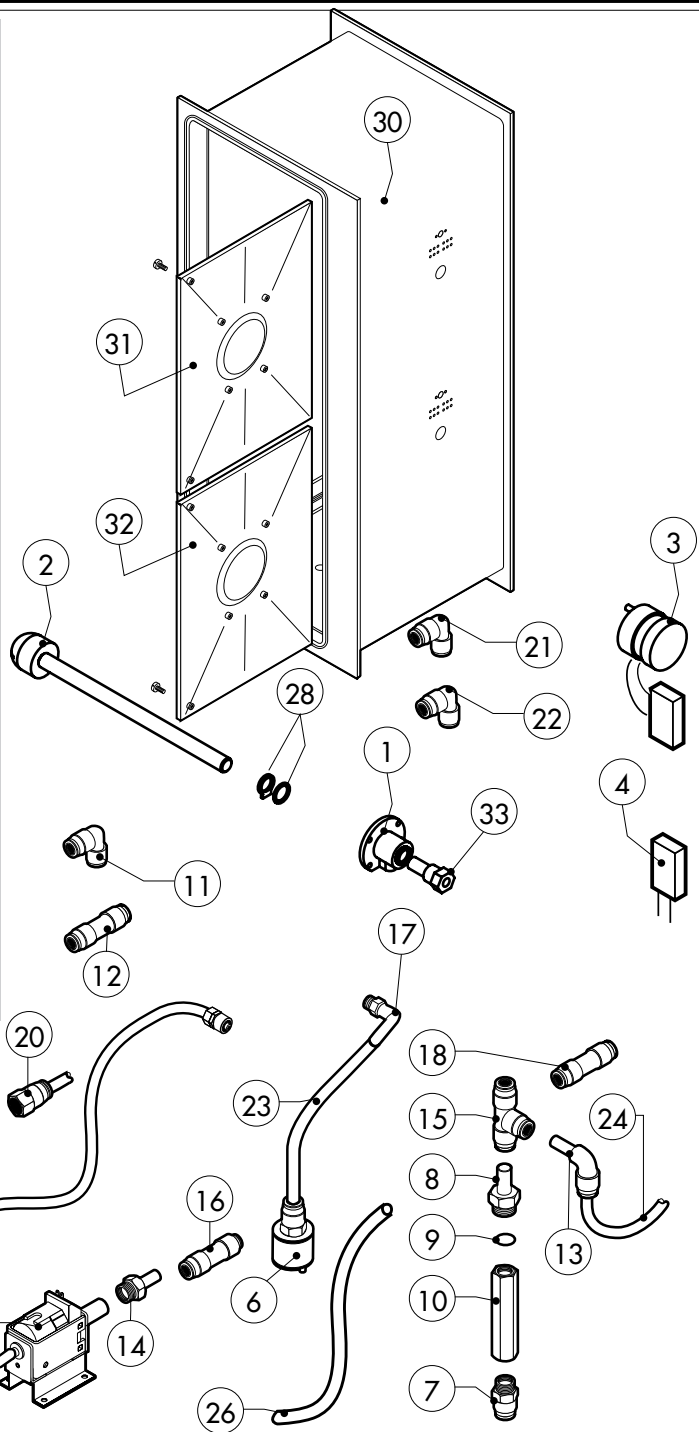
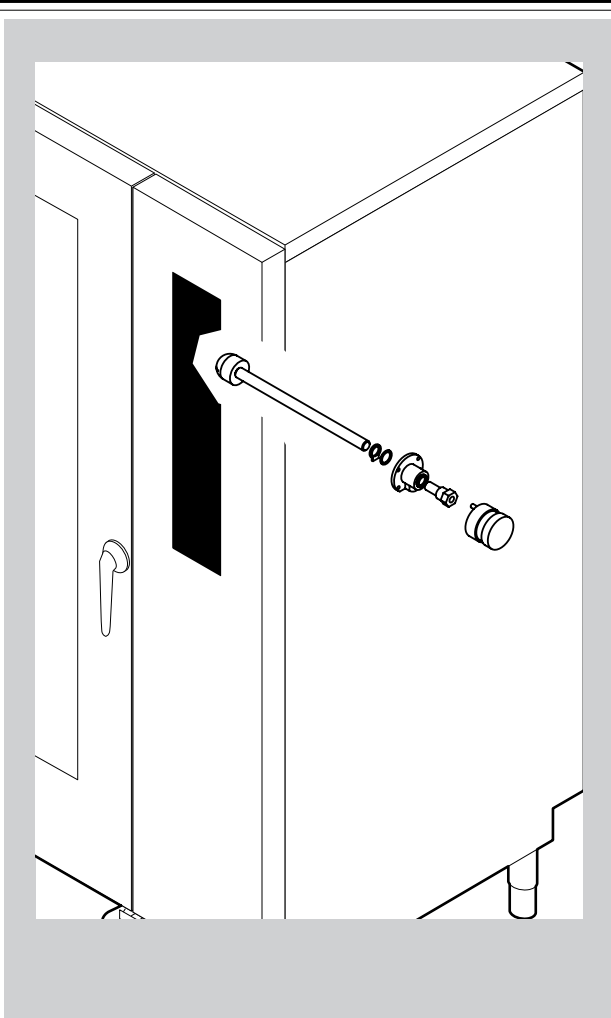
POS.	CODE	PIECES	DESCRIPTION
1	R11100270	1	DAMPER SYSTEM CAP
2	R11224190	1	STEAM GENERATOR ASSEMBLY UNTIL N° 5007
3	R11224191	1	STEAM GENERATOR ASSEMBLY FROM N° 5107
4	R10201710	1	DRAIN FILTER
5	R69150110	1	STEAM GENERATOR DESCALING CAP 1"1/4 F
6	R58006130	2	STEAM QUENCHING NOZZLE Ø 1
7	R11224050	1	TOP HEAT EXCHANGER ASSEMBLY
8	R11224060	1	LOWER HEAT EXCHANGER ASSEMBLY
9	R11224151	1	TOP BURNER ASSEMBLY
10	R11224161	1	LOWER BURNER ASSEMBLY
11	R11224171	1	IN STEAM GENERATOR BURNER
12	R11224181	1	OUT STEAM GENERATOR BURNER
13	R66605810	2	FLAME IGNITION CABLE/FLAME SENSOR CABLE
14	R66605920	2	FLAME IGNITION CABLE/FLAME SENSOR CABLE
15	R63050130	12	IGNITOR
16	R63020170	4	GAS SOLENOID VALVE
17	R63120040	4	VENTURI TUBE
18	R65060360	4	GAS BURNER FAN MOTOR
19	R77700056	4 MT	AIR INLET FLEXIBLE PIPE
20	R63140080	4	BURNER/HEAT EXCHANGER GASKET

POS.	CODE	PIECES	DESCRIPTION
21	R63140010	4	HEAT EXCHANGER GASKET
22	R63140060	2	BOILER/BURNER EXCHANGER GASKET
23	R63140050	8	BURNER/FAN MOTOR GASKET
24	R11430340	4	ORIFICE D.22
25	R62180082	4	GAS INLET FLEXIBLE PIPE
26	R62180022	1	FLEXIBLE PIPE FOR BOILER DISCALING
27	R63070010	1	GAS SAFETY PRESSURE SWITCH PG 901.61
28	R61630011	2	METAL CLAMPS 12-22/9
29	R61630031	6	METAL CLAMPS 40-60/9
30	R65110560	1	STEAM GENERATOR DRAIN MOTORIZED VALVE
31	R65320010	2	STEAM GENERATOR LEVEL PROBE
32	R70060100	1	DAMPER SYSTEM CAP GASKET
33	R70060050	1	SILICON COUPLING Ø 60
34	R70060040	2	SILICON COUPLING Ø 50
35	R70060080	1	SILICON COUPLING Ø 13
36	R62090478	6	ELBOW MIDLING PIPE FITTING D.10
37	R62090468	1	"T" MIDLING PIPE FITTING D. 10
38	R62090458	1	STRAIGHT MIDLING PIPE FITTING D.10
39	R70070040	1	PE D.10 MM X7 WATER FLEXIBLE PIPE (4 MT LONG)
40	R58004220	4	ORIFICE D.4,2
41	R69180110	1	QUENCHING-DRAIN COLLECTOR



POS.	CODE	PIECES	DESCRIPTION
1	R65302200	1	CONTROL PANEL P.C. BOARD "T" MOD
2	R65301950	1	BOILER CONTROL PC BOARD
3	R65301440	1	PC BOARD BUZZER
4	R65301940	1	FRONT PC BOARD ENCODER
5	R65301970	1	PC BOARD CONNECTION USB
6	R65321100	1	CORE TEMPERATURE PROBE
7	R65321110	1	CORE TEMPERATURE PROBE FEMALE CONNECTOR
8	R65321020	1	COVER FOR FEMALE CONNECTOR
9	R86020420	1	CORE TEMPERATURE PROBE BOX
10	-	1	PLATE "T"
11	R69030250	1	KNOB
12	R70044290	1	CONTROL PANEL GASKET

POS.	CODE	PIECES	DESCRIPTION



POS.	CODE	PIECES	DESCRIPTION
1	R58007020	2	WASHING SYSTEM FLANGE
2	R58007030	2	WASHING SYSTEM INNER ASSEMBLY
3	R65090250	2	WASHING GEARED MOTORS WITH CAPACITOR
4	R65190230	2	CAPACITOR 0,27 F
5	R65110600	1	DETRGENT PUMP
6	R65110650	1	BOTTOM FILTER
7	R62090508	1	10X1/4 STRAIGHT THREADED TERMINAL PIPE FITTING
8	R62090518	5	10X1/4 END SIDE PIPE FITTING (WITH TANG)
9	R70010050	6	OR GASKETS
10	R65110640	3	ANTI-BACK FLOW
11	R62090478	1	ELBOW MIDLING PIPE FITTING D.10
12	R62090458	1	STRAIGHT MIDLING PIPE FITTING D.10
13	R62090528	8	ELBOW PIPE FITTING (WITH TANG) 10 X 10
14	R62090608	1	8X1/8 END SIDE PIPE FITTING (WITH TANG)
15	R62090468	4	"T" MIDLING PIPE FITTING D.10
16	R62090618	1	10-8 REDUCTION PIPE FITTING
17	R62090648	1	ELBOW PIPE FITTING
18	R62090458	1	STRAIGHT MIDLING PIPE FITTING D.10
19	R62090482	1	RAPID MALE PIPE FITTING

POS.	CODE	PIECES	DESCRIPTION
20	R62090538	1	1/4" FEMALE STRAIGHT PIPE FITTING FOR D.8X6 PIPE
21	R62090633	2	ELBOW PIPE FITTING BRASS D.10
22	R62090663	2	ELBOW PIPE FITTING BRASS D.10x1/4"
23	R70070100	1	PE D.8 MM X 6 DETERGENT FLEXIBLE PIPE
24	R70070070	1	PE D.10 MM X 7 WATER FLEXIBLE PIPE (3 MT LONG)
25	R70070080	1	PE D.23 MM X 13 FLEXIBLE PIPE (1 MT LONG)
26	R70070090	1	PE D.12 MM X 7 SILICONE PIPE (1 MT LONG)
27	R65110280	1	SOLENOID VALVE 220V 50HZ
28	R70045120	1	GASKETS KIT
29	R61630011	2	METAL CLAMPS 12-22/9
30	R11203230	1	COOKING CABINET ASSEMBLY
31	R11203140	1	TOP FAN GUARD PANEL ASSEMBLY
32	R11206160	1	LOWER FAN GUARD PANEL ASSEMBLY
33	R58007000	1	ROTATING PIVOT