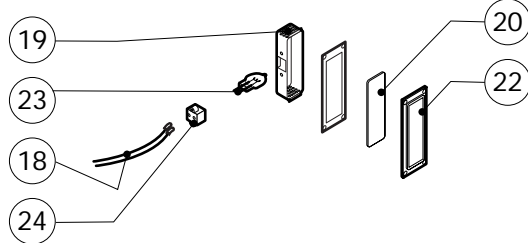
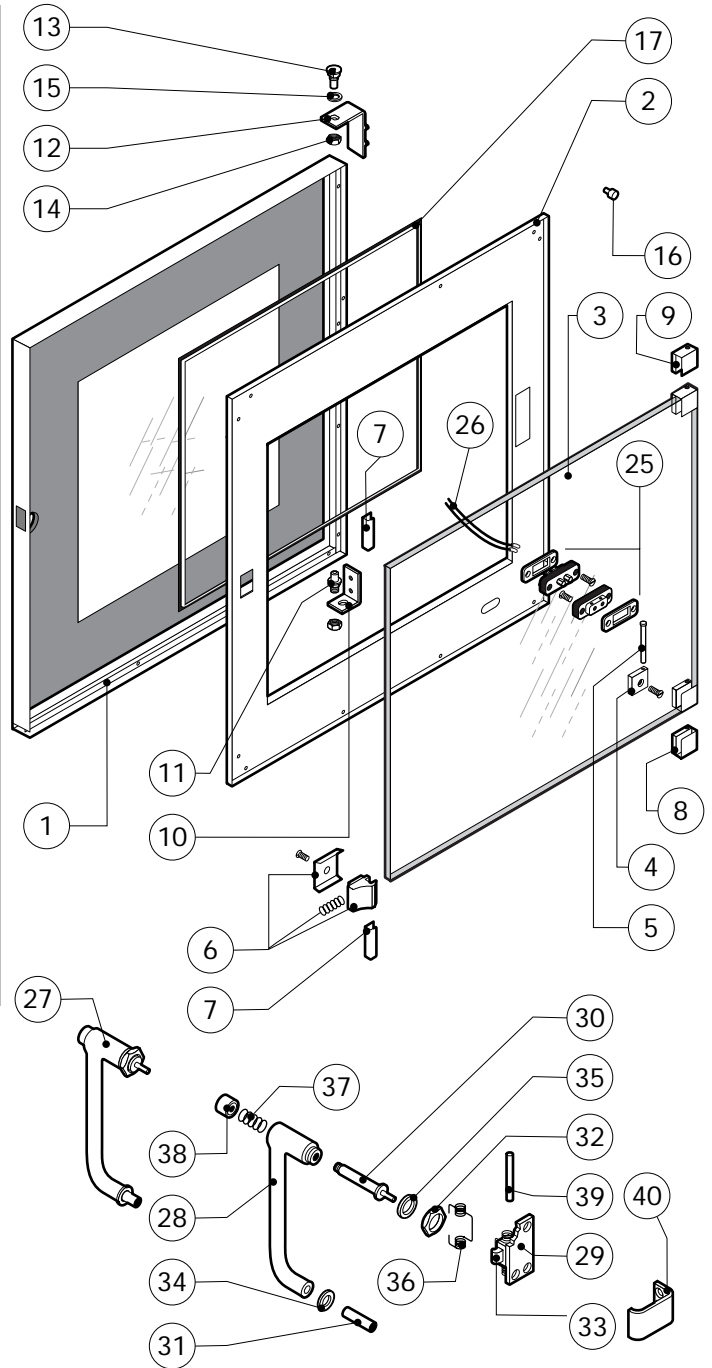
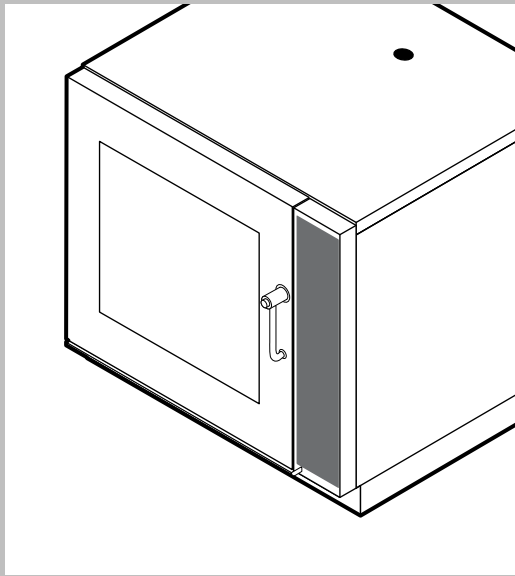


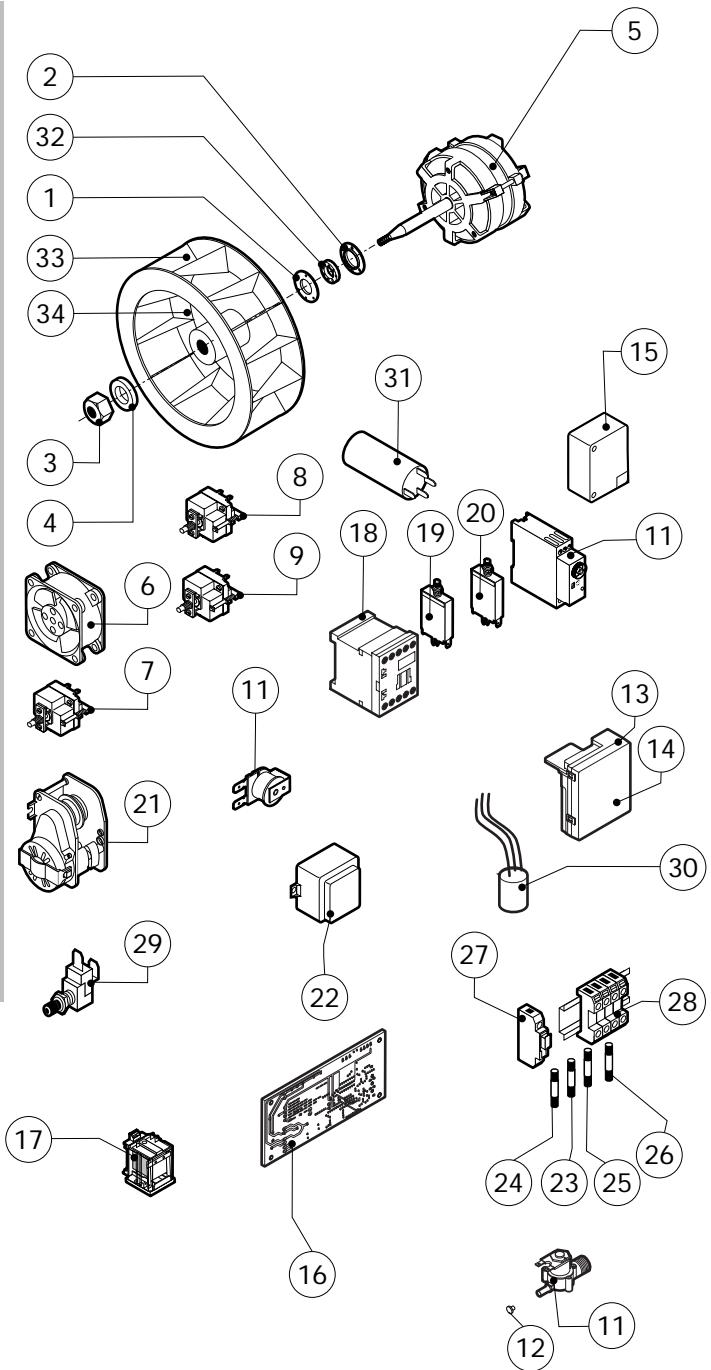
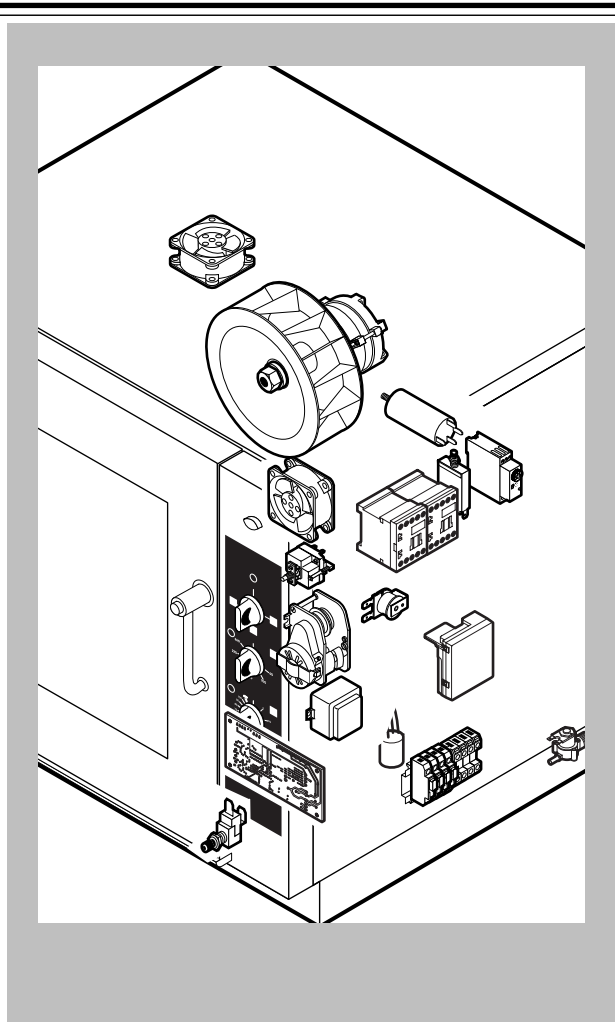
POS.	CODE	PIECES	DESCRIPTION
1	R18100040	1	DOOR ASSEMBLY
2	R18201890	1	CONTROL PANEL
3	R11200650	1	SPRITZER EXTENSION
4	R11202270	1	SPRITZER UNION
5	R18210830	1	COOKING CABINET ASSEMBLY
6	R18404240	1	FAN GUARD PANEL ASSEMBLY
7	R18404330	2	SIDE PANEL
8	R18404320	1	REAR PANEL
9	R18418940	1	COVER PANEL
10	R58006400	4	FAN GUARD FASTENING SCREW
11	R70044230	1	FRONT GASKET
12	R18201810	1	REMOVABLE RACK
13	R18201820	1	REMOVABLE RACK

POS.	CODE	PIECES	DESCRIPTION



POS.	CODE	PIECES	DESCRIPTION
1	R18202060	1	DOOR
2	R18202010	1	INNER DOOR PANEL
3	R71201500	1	INNER DOOR GLASS
4	R58001760	2	INNER GLASS SOLID HINGE
5	R58001770	2	INNER GLASS HINGE PIN
6	R58001780	2	INNER GLASS CATCH KIT
7	R11401340	2	TOP "C" PROFILE
8	R18203910	1	LOWER SUPPORT GLASS
9	R18203920	1	TOP SUPPORT GLASS
10	R18404500	1	LOWER DOOR HINGE
11	R58002520	1	LOWER HINGE PIN
12	R11200560	1	UPPER DOOR HINGE
13	R58002150	1	HINGE PIN
14	R58004050	2	NUT FOR UPPER DOOR HINGE
15	R10401710	1	WASHER FOR UPPER DOOR HINGE
16	R70050100	6	GLASS SILICON SPACERS
17	R70044650	1	GLASS GASKET
18	R66110320	1	DOOR LAMPS CABLE SET
19	R11401440	1	LAMP COVER
20	R71500150	1	GLASS LAMP
21	R70044200	1	LAMP GASKET

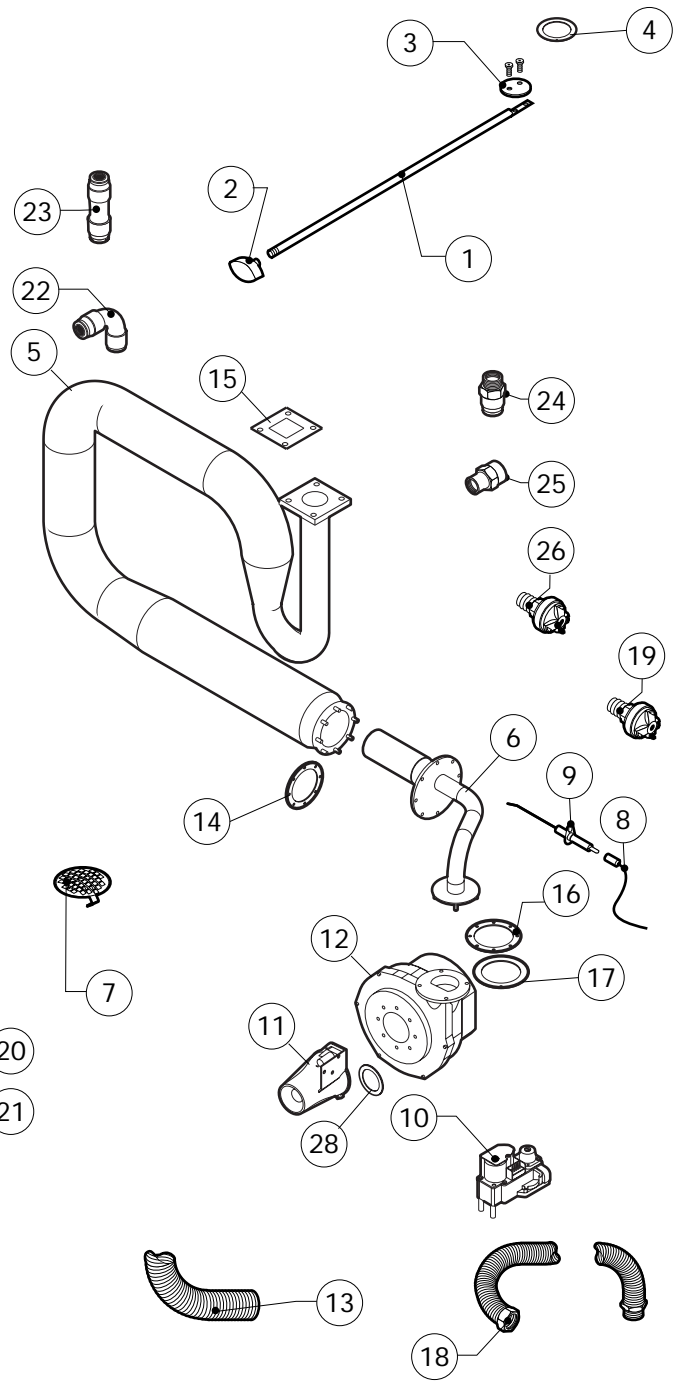
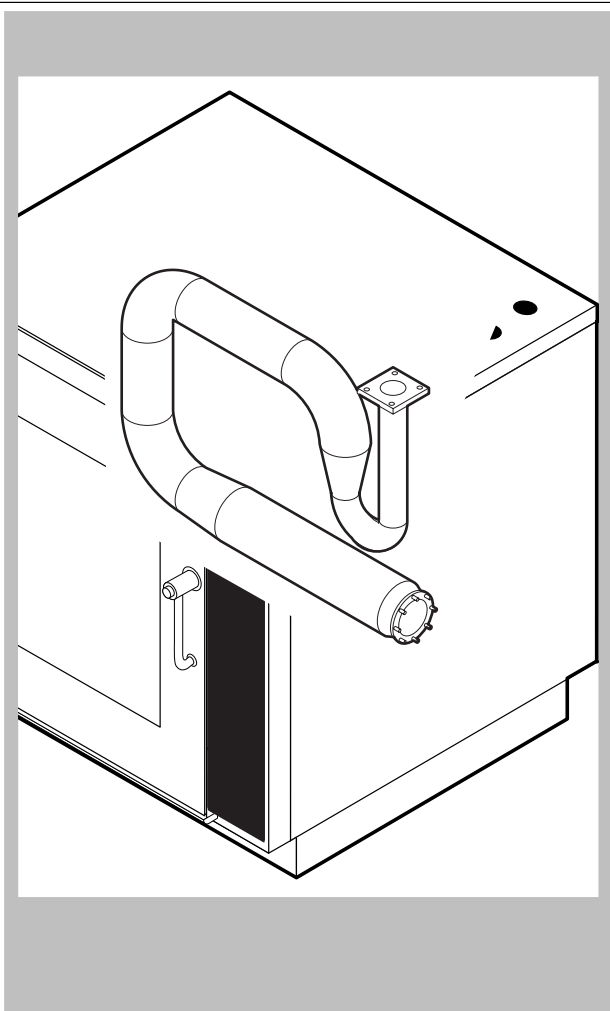
POS.	CODE	PIECES	DESCRIPTION
22	R11401450	1	GLASS HOLDER LAMP FLANGE
23	R65270020	1	LIGHT 20W 12V G4
24	R65270450	1	LIGHT SOCKET
25	R65260750	1	LAMPS CONTACT BLOCK
26	R66110300	1	LAMPS CONTACT CABLE SET
27	R69015000	1	DOOR HANDLE ASSEMBLY
28	R09200230	1	DOOR HANDLE
29	R10100110	1	PRONG FLANGE
30	R58003240	1	DOOR HANDLE BUTTON ROD
31	R58004270	1	DOOR HANDLE SPACER
32	R58004830	1	RING NUT M18x1
33	R58005050	1	DOOR HANDLE PRONG
34	R58005340	1	DOOR HANDLE LOWER INSULATION WASHER
35	R58005350	1	DOOR HANDLE UPPER INSULATION WASHER
36	R61620012	1	DOOR HANDLE CATCH SPRING
37	R61620041	1	DOOR HANDLE BUTTON SPRING
38	R69031190	1	DOOR HANDLE PUSH BUTTON
39	R58002160	1	DOOR HANDLE PRONG PIN
40	R18202020	1	DOOR HANDLE PRONG COUPLER



POS.	CODE	PIECES	DESCRIPTION
1	R58003860	1	MOTOR GASKET BRASS FLANGE
2	R58003870	1	MOTOR GASKET BRASS COUNTER FLANGE
3	R58004020	1	FAN SECURITY NUT M10 SX
4	R61400052	1	FAN WASHER Ø 21/10.5
5	*R65040431	1	MOTOR KW 025/005 2-4P 220-240V KIT
6	R65060050	1	COMPONENTS VENTILATION MOTOR Ø 120
7	R65070350	1	CHAMBER SAFETY THERMOSTAT
8	R65070165	1	THERMOSTAT 65°C
9	R65070240	1	THERMOSTAT 70°C
10	R65090450	1	S.GENERATOR DRAIN TIMER
11	R65110200	1	SOLENOID VALVE 220V 50HZ
12	R65110500	1	10 LT/H WATER FLOW REDUCER
13	R63060140	1	BURNER IGNITION PANEL UNTIL N°0108
14	R63060160	1	BURNER IGNITION PANEL FROM N°0108
15	R65180270	1	IGNITION TRANSFORMER FROM N°0108
16	R63130050	1	GAS BURNER FAN MOTOR PCBOARD
17	R65170100	1	RELAY 240V AC 16A 62.82300308
18	*R65140700	4	CONTACTOR DIL M9-01 4KW-20A
19	*R65160300	1	THERMIC PROTECTION T12-211S-0,8A
20	*R65160320	1	THERMIC PROTECTION T12-211S-2A
21	R65090190	1	REVERSING SWITCH 8°

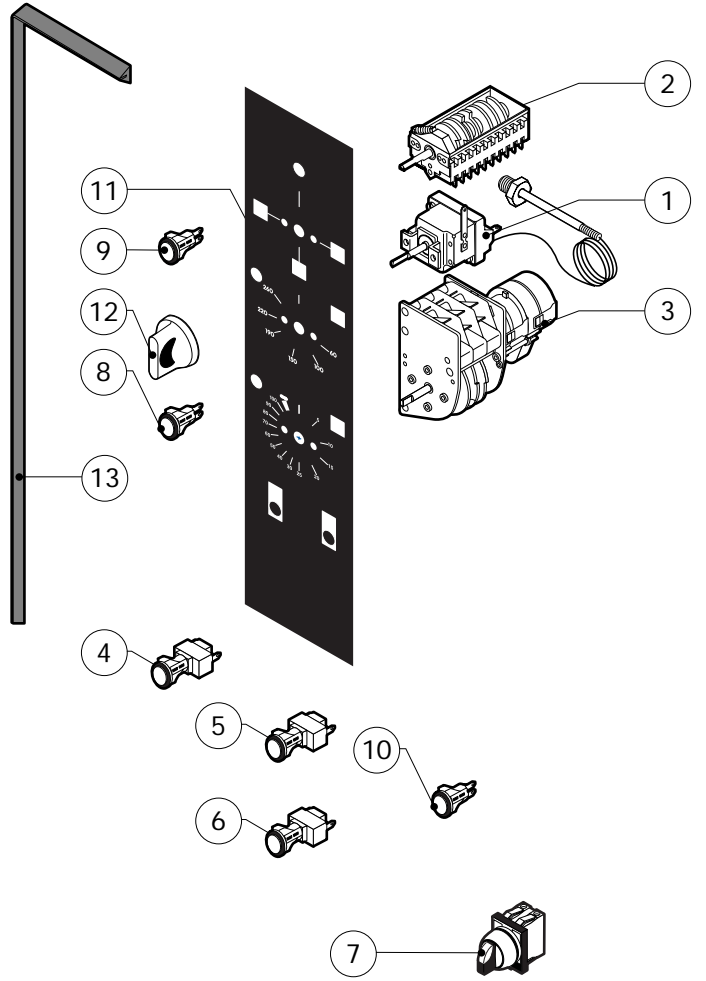
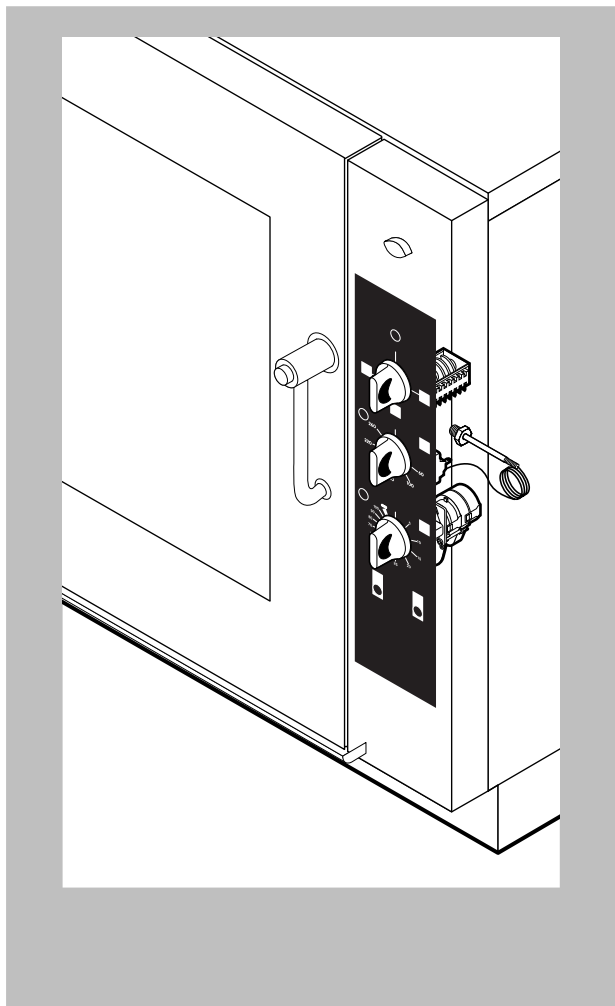
POS.	CODE	PIECES	DESCRIPTION
22	R65180420	1	TRANSFORMER 20VA
23	R65200200	1	FUSE 2A
24	R65200160	2	FUSE 1A
25	R65200120	1	FUSE 0.1A (T)
26	R65200086	1	FUSE 0.125A (T)
27	R65210020	5	FUSE CARRIER
28	R65220220	1	TERMINAL BOARD
29	R65260540	1	DOOR SWITCH
30	*R65280230	1	INTERFERENCE SUPPRESSOR
31	*R65190180	1	CAPACITOR 10 µF
32	R70020040	1	MOTOR GASKET
33	*R75400400	1	FAN Ø 220x78/12 50HZ P.D. KIT
34	R75400420	1	FAN Ø 220x78/8 60HZ P.D. KIT

\*COMPONENT SUBMITTED TO CHANGEMENTS CAUSED BY TENSION DIFFERENT FROM THE STANDARD (AC 230V 50HZ)



POS.	CODE	PIECES	DESCRIPTION
1	R58006710	1	CHAMBER VENT ROD
2	R69010410	1	STEAM OUTLET KNOB
3	R11429380	2	CHAMBER VENT PLATE
4	R70050130	1	DAMPER SYSTEM CAP GASKET
5	R18210790	1	HEAT EXCHANGER ACCESSORIES INCLUDED
6	R18211051	1	COOKING CABINET BURNER
7	R10201700	1	DRAIN FILTER
8	R66605820	1	FLAME IGNITION CABLE/FLAME SENSOR CABLE
9	R63050130	3	IGNITOR
10	R63020170	1	GAS SOLENOID VALVE
11	R63120020	1	VENTURI TUBE
12	R65060360	1	GAS BURNER FAN MOTOR
13	R77700056	1 MT	AIR INLET FLEXIBLE PIPE
14	R63140070	2	BURNER/HEAT EXCHANGER GASKET
15	R63140010	2	BOILER/HEAT EXCHANGER GASKET
16	R63140050	2	BURNER/FAN MOTOR GASKET
17	R11430360	1	ORIFICE D.13
18	R62180082	1	GAS INLET FLEXIBLE PIPE
19	R63070010	1	GAS SAFETY PRESSURE SWITCH PG 901.61

POS.	CODE	PIECES	DESCRIPTION
20	R61630021	2	METAL CLAMPS 30-45/9
21	R70060010	1	SILICON COUPLING Ø 30
22	R62090478	5	ELBOW MIDLING PIPE FITTING D.10
23	R62090458	1	STRAIGHT MIDLING PIPE FITTING D.10
24	R62090508	1	10X1/4 STRAIGHT THREADED TERMINAL PIPE FITTING
25	R62030118	1	1/8"-1/4" FEMALE REDUCTION COUPLING
26	R63070050	1	WATER SAFETY PRESSURE SWITCH 1/8" 0,5-0,35 BAR
27	R70070050	1	PE D.10 MM X7 WATER FLEXIBLE PIPE (3 MT LONG)
28	R58004170	1	ORIFICE



POS.	CODE	PIECES	DESCRIPTION
1	R65070360	1	CABINET THERMOSTAT 0/300mC
2	R65080010	1	MAIN SELECTOR SWITCH
3	R65090020	1	TIMER
4	R65260600	1	SWITCH
5	R65260610	1	HUMIDIFIER PUSH BUTTON
6	R65260620	1	RESTORATION PUSH BUTTON
7	R65080150	1	2 POSITIONS SELECTOR SWITCH
8	R65270150	2	ORANGE INDICATING LIGHT
9	R65270160	1	GREEN INDICATING LIGHT
10	R65270170	1	RED INDICATING LIGHT
11	R67013590	1	PLATE "M"
12	R69030170	3	KNOB
13	R70044250	1	CONTROL PANEL GASKET

POS.	CODE	PIECES	DESCRIPTION