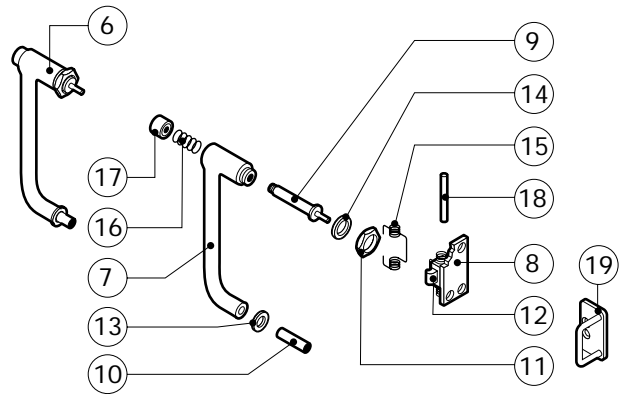
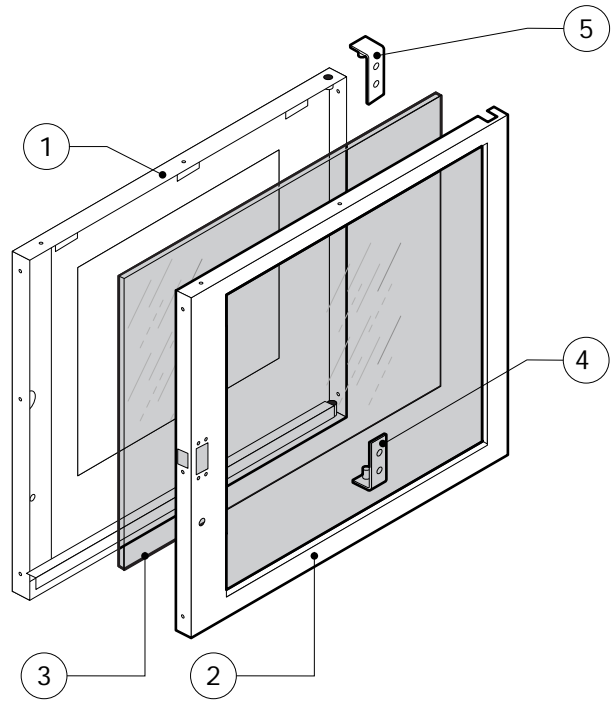
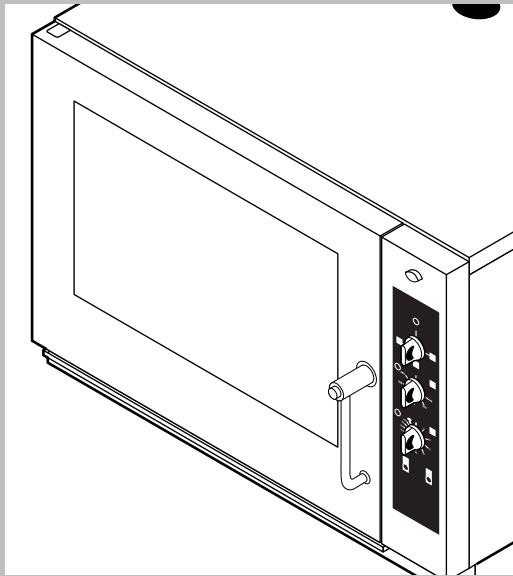


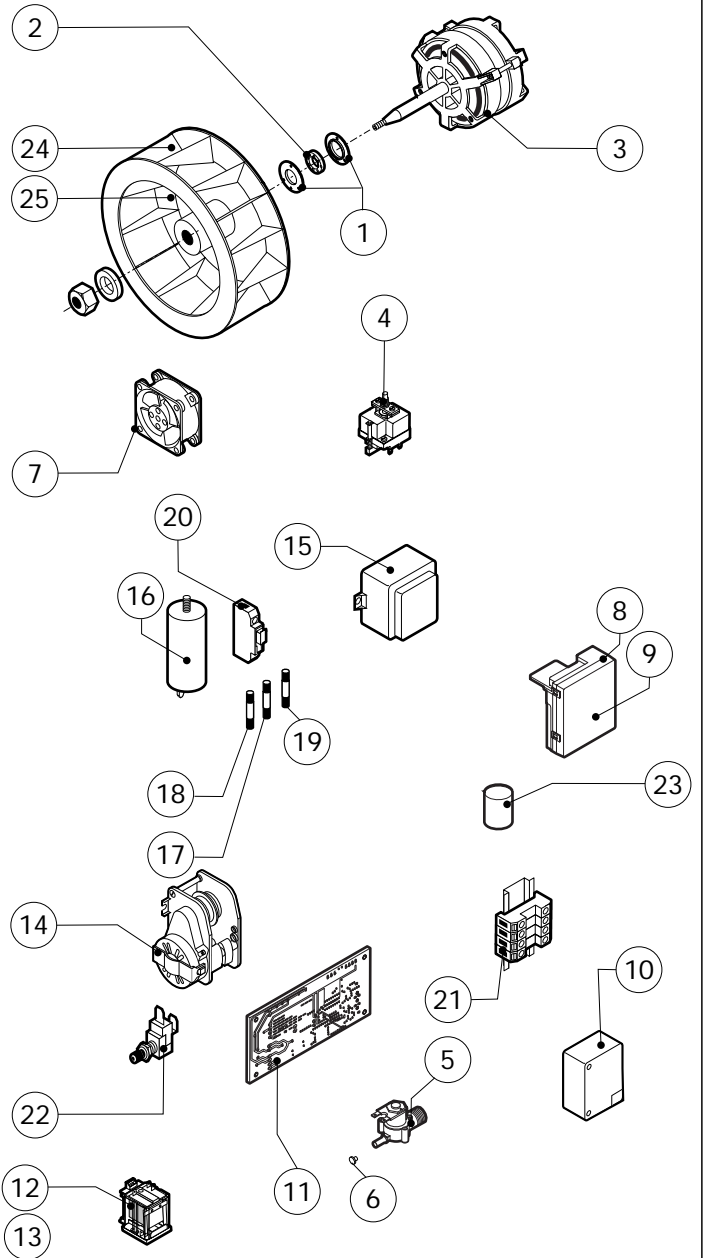
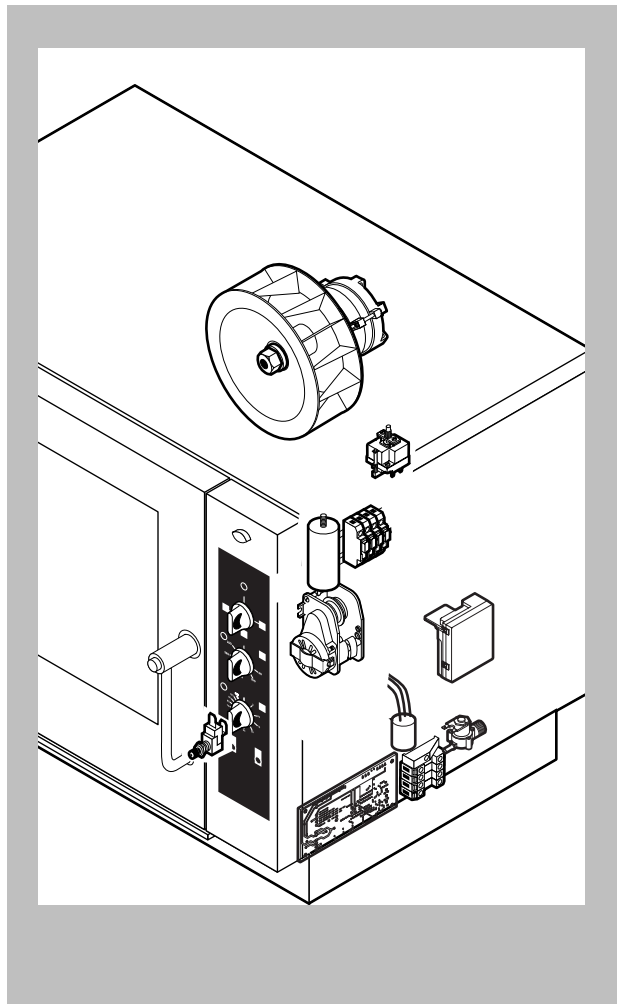
POS.	CODE	PIECES	DESCRIPTION
1	R18100120	1	DOOR ASSEMBLY
2	R18201110		CONTROL PANEL
3	R18200540	1	SPRITZER EXTENSION
4	R18201430	1	SPRITZER UNION
5	R18211210	1	COOKING CABINET ASSEMBLY
6	R65270510	1	LAMP COVER
7	R18402100	1	FAN GUARD PANEL ASSEMBLY
8	R18401760	2	SIDE PANEL
9	R18401770	1	REAR PANEL
10	R18419390	1	COVER PANEL
11	R58006400	2	FAN GUARD FASTENING SCREW
12	R70044340	1	FRONT GASKET
13	R17200420	2	REMOVABLE RACK
14	R17200330	2	REMOVABLE RACK

POS.	CODE	PIECES	DESCRIPTION



POS.	CODE	PIECES	DESCRIPTION
1	R18200960	1	DOOR
2	R18402370	1	INNER DOOR PANEL
3	R71201340	1	FRONTAL DOOR GLASS
4	R18201260	1	LOWER DOOR HINGE
5	R18201270	1	UPPER DOOR HINGE
6	R69015000	1	DOOR HANDLE ASSEMBLY
7	R09200230	1	DOOR HANDLE
8	R10100110	1	PRONG FLANGE
9	R58003240	1	DOOR HANDLE BUTTON ROD
10	R58004270	1	DOOR HANDLE SPACER
11	R58004830	1	RING NUT M18x1
12	R58005050	1	DOOR HANDLE PRONG
13	R58005340	1	DOOR HANDLE LOWER INSULATION WASHER
14	R58005350	1	DOOR HANDLE UPPER INSULATION WASHER
15	R61620012	1	DOOR HANDLE CATCH SPRING
16	R61620041	1	DOOR HANDLE BUTTON SPRING
17	R69031190	1	DOOR HANDLE PUSH BUTTON
18	R58002160	1	DOOR HANDLE PRONG PIN
19	R18200940	1	DOOR HANDLE PRONG COUPLER

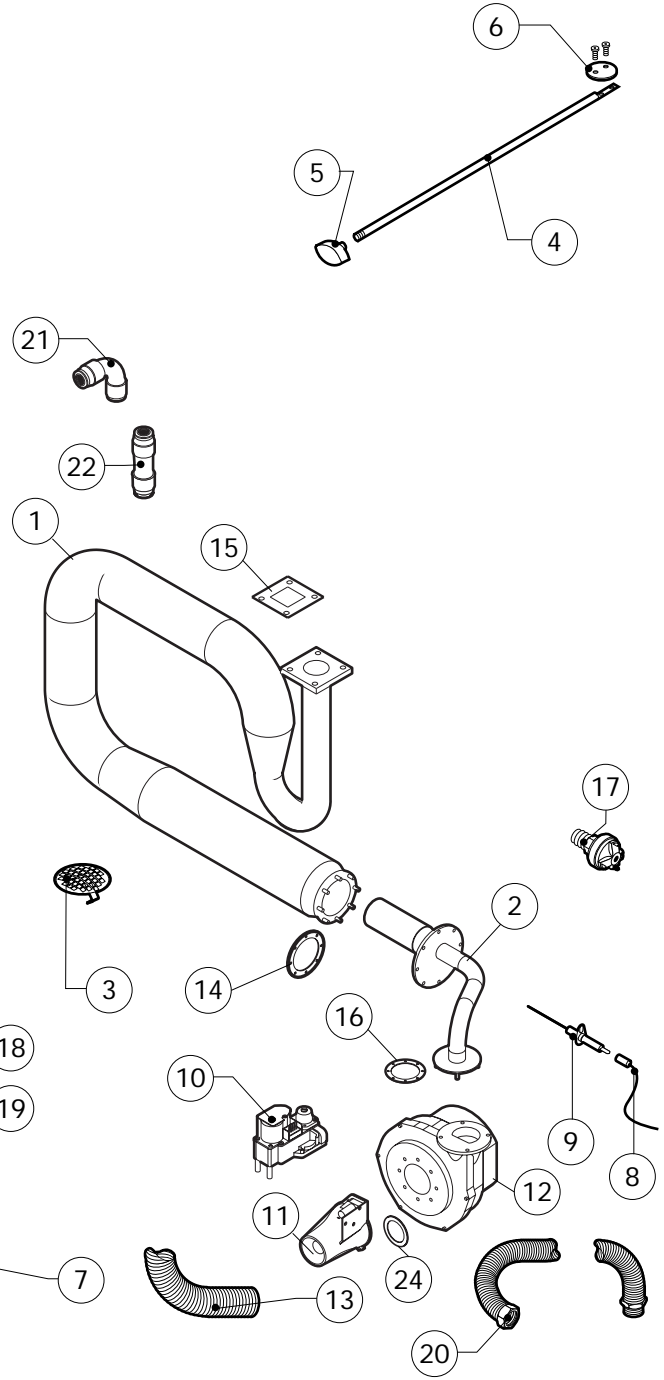
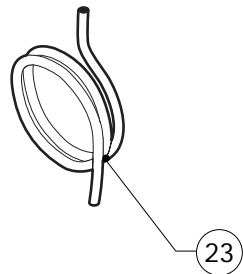
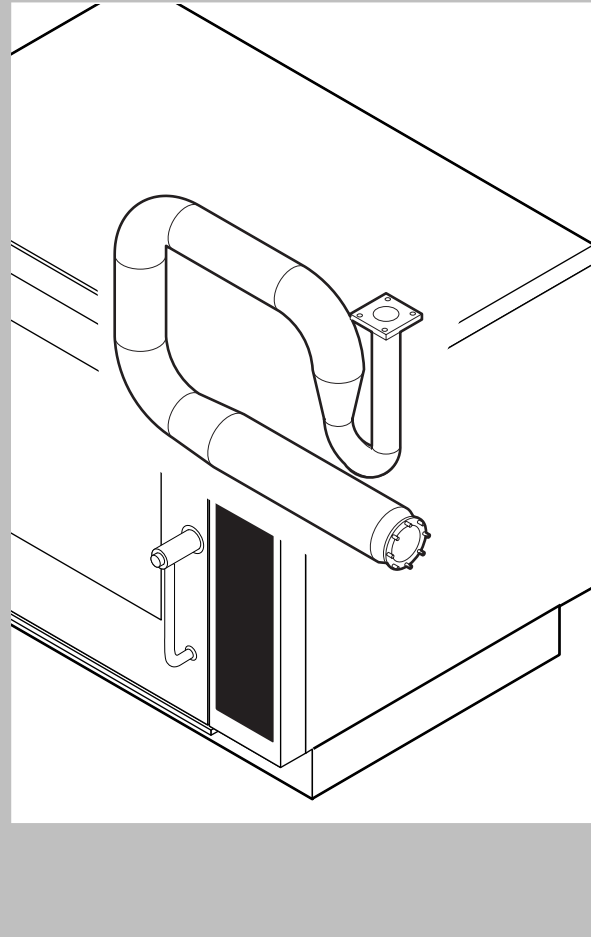
POS.	CODE	PIECES	DESCRIPTION



POS.	CODE	PIECES	DESCRIPTION
1	R58005500	1	MOTOR GASKET BRASS FLANGE
2	R70020020	1	MOTOR GASKET
3	*R65041000	1	MOTOR 200W
4	R65070350	1	CHAMBER SAFETY THERMOSTAT
5	R65110200	1	SOLENOID VALVE 220V 50HZ
6	R65110500	1	10 LT/H WATER FLOW REDUCER
7	R65060010	1	COMPONENTS VENTILATION MOTOR Ø 80
8	R63060140	1	BURNER IGNITION PANEL UNTIL Nn0108
9	R63060160	1	BURNER IGNITION PANEL FROM Nn0108
10	R65180270	1	IGNITION TRANSFORMER FROM Nn0108
11	R63130050	1	GAS BURNER FAN MOTOR PCBOARD
12	R65170100	3	RELAY 240V AC 16A 62.82300308
13	R65170100	1	RELAY 240V AC 16A 62.82300308
14	R65090190	1	REVERSING SWITCH 8'
15	R65180420	1	TRANSFORMER 20VA
16	*R65190180	1	CAPACITOR 10 µF
17	R65200200	1	FUSE 2A
18	R65200160	1	FUSE 1A
19	R65200086	1	FUSE 0.125A (T)

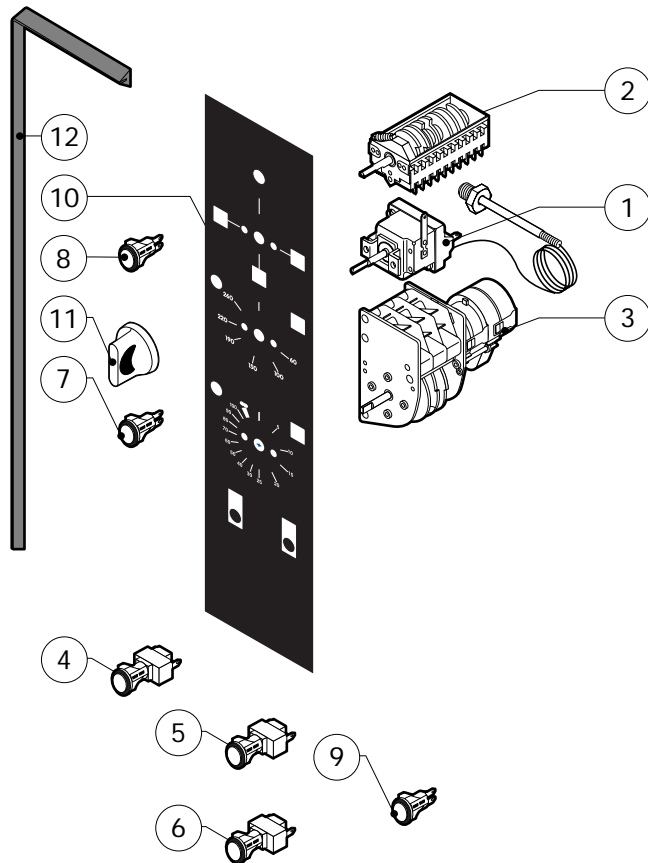
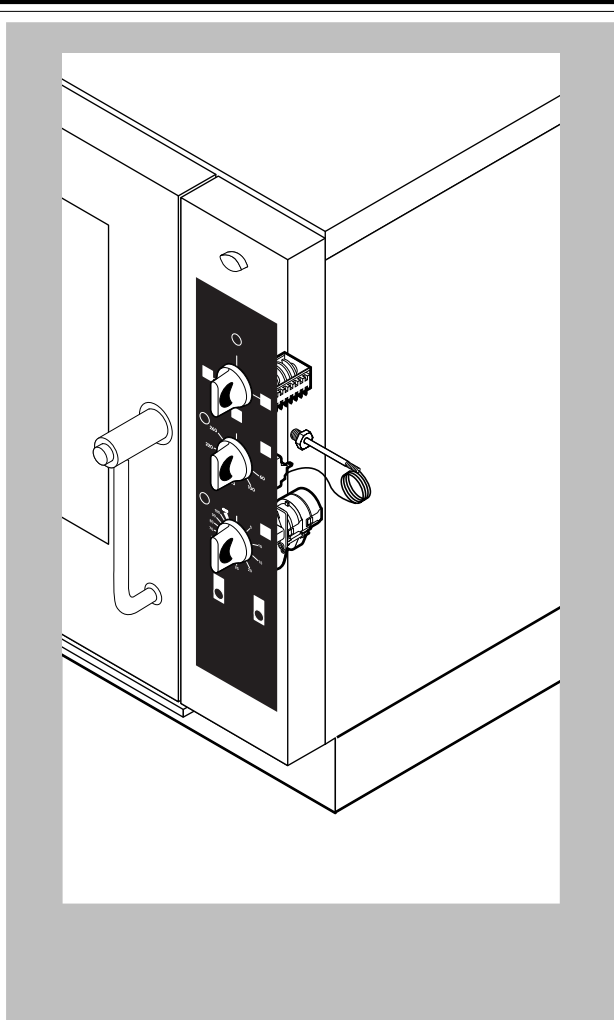
POS.	CODE	PIECES	DESCRIPTION
20	R65210020	3	FUSE CARRIER
21	R65220280	1	TERMINAL BOARD
22	R65260540	1	DOOR SWITCH
23	*R65280230	1	INTERFERENCE SUPPRESSOR
24	*R75400410	1	FAN Ø 180x77/12 50HZ P.D.
25	R75400430	1	FAN Ø 180x77/8 60HZ P.D.

*COMPONENT SUBMITTED TO CHANGEMENTS CAUSED BY TENSION DIFFERENT FROM THE STANDARD (3N AC400V 50HZ)



POS.	CODE	PIECES	DESCRIPTION
1	R18211040	1	HEAT EXCHANGER ACCESSORIES INCLUDED
2	R18211051	1	COOKING CABINET BURNER
3	R09201820	1	DRAIN FILTER
4	R58006884	1	CHAMBER VENT ROD
5	R69010410	1	STEAM OUTLET KNOB
6	R18400940	1	CHAMBER VENT PLATE
7	R58006130	1	STEAM QUENCHING NOZZLE Ø 1
8	R66605820	1	FLAME IGNITION CABLE/FLAME SENSOR CABLE
9	R63050130	3	IGNITOR
10	R63020170	1	GAS SOLENOID VALVE
11	R63120020	1	VENTURI TUBE
12	R65060360	1	GAS BURNER FAN MOTOR
13	R77700056	1 MT	AIR INLET FLEXIBLE PIPE
14	R63140070	2	BURNER/HEAT EXCHANGER GASKET
15	R63140010	2	BOILER/HEAT EXCHANGER GASKET
16	R63140050	2	BURNER/FAN MOTOR GASKET
17	R63070010	1	GAS SAFETY PRESSURE SWITCH PG 901.61
18	R61630081	2	METAL CLAMPS 20-32/9
19	R70060090	1	SILICON COUPLING Ø 25

POS.	CODE	PIECES	DESCRIPTION
20	R62180082	1	GAS INLET FLEXIBLE PIPE
21	R62090478	3	ELBOW MIDLING PIPE FITTING D.10
22	R62090458	1	STRAIGHT MIDLING PIPE FITTING D.10
23	R70070070	1	PE D.10 MM X7 WATER FLEXIBLE PIPE (1 MT LONG)
24	R58004170	1	ORIFICE (FOR VERSION LIQUID GAS)



POS.	CODE	PIECES	DESCRIPTION
1	R65070360	1	CABINET THERMOSTAT 0 \square /300 \square C
2	R65080010	1	MAIN SELECTOR SWITCH
3	R65090020	1	TIMER
4	R65260600	1	SWITCH
5	R65260610	1	HUMIDIFIER PUSH BUTTON
6	R65260620	1	RESTORATION PUSH BUTTON
7	R65270150	2	ORANGE INDICATING LIGHT
8	R65270160	1	GREEN INDICATING LIGHT
9	R65270170	1	RED INDICATING LIGHT
10	R67013570	1	PLATE "M"
11	R69030170	3	KNOB
12	R70044250	1	CONTROL PANEL GASKET

POS.	CODE	PIECES	DESCRIPTION