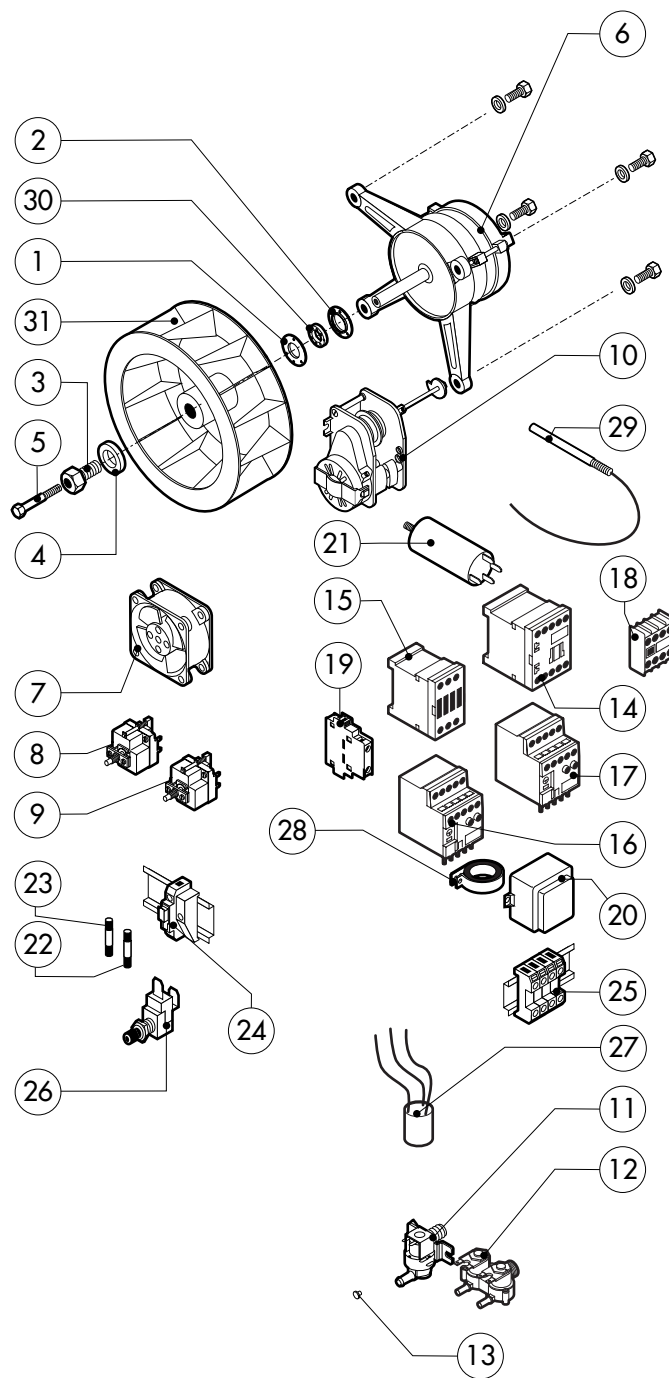
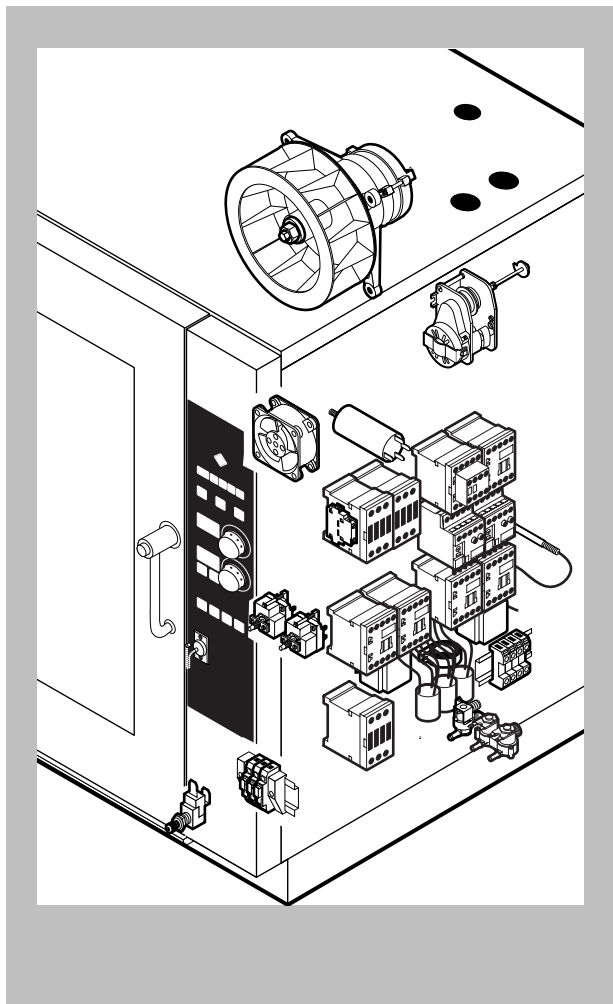


| POS. | CODE      | PIECES | DESCRIPTION                 |
|------|-----------|--------|-----------------------------|
| 1    | R18203970 | 1      | DOOR                        |
| 2    | R18203940 | 1      | INNER DOOR PANEL            |
| 3    | R71201510 | 1      | INNER DOOR GLASS            |
| 4    | R58001760 | 2      | INNER GLASS SOLID HINGE     |
| 5    | R58001770 | 2      | INNER GLASS HINGE PIN       |
| 6    | R58001780 | 2      | INNER GLASS CATCH KIT       |
| 7    | R11401340 | 2      | TOP "C" PROFILE             |
| 8    | R18203910 | 1      | LOWER SUPPORT GLASS         |
| 9    | R18203920 | 1      | TOP SUPPORT GLASS           |
| 10   | R18404500 | 1      | LOWER DOOR HINGE            |
| 11   | R58002520 | 1      | LOWER HINGE PIN             |
| 12   | R11200560 | 1      | UPPER DOOR HINGE            |
| 13   | R58002150 | 1      | HINGE PIN                   |
| 14   | R58004050 | 2      | NUT FOR UPPER DOOR HINGE    |
| 15   | R10401710 | 1      | WASHER FOR UPPER DOOR HINGE |
| 16   | R70050100 | 6      | GLASS SILICON SPACERS       |
| 17   | R70044150 | 1      | GLASS GASKET                |
| 18   | R66110320 | 1      | DOOR LAMPS CABLE SET        |
| 19   | R11401440 | 1      | LAMP COVER                  |
| 20   | R71500150 | 1      | GLASS LAMP                  |
| 21   | R70044200 | 1      | LAMP GASKET                 |

| POS. | CODE      | PIECES | DESCRIPTION                         |
|------|-----------|--------|-------------------------------------|
| 22   | R11401450 | 1      | GLASS HOLDER LAMP FLANGE            |
| 23   | R65270020 | 1      | LIGHT 20W 12V G4                    |
| 24   | R65270450 | 1      | LIGHT SOCKET                        |
| 25   | R65260750 | 1      | LAMPS CONTACT BLOCK                 |
| 26   | R66110300 | 1      | LAMPS CONTACT CABLE SET             |
| 27   | R69015000 | 1      | DOOR HANDLE ASSEMBLY                |
| 28   | R09200230 | 1      | DOOR HANDLE                         |
| 29   | R10100110 | 1      | PRONG FLANGE                        |
| 30   | R58003240 | 1      | DOOR HANDLE BUTTON ROD              |
| 31   | R58004270 | 1      | DOOR HANDLE SPACER                  |
| 32   | R58004830 | 1      | RING NUT M18x1                      |
| 33   | R58005050 | 1      | DOOR HANDLE PRONG                   |
| 34   | R58005340 | 1      | DOOR HANDLE LOWER INSULATION WASHER |
| 35   | R58005350 | 1      | DOOR HANDLE UPPER INSULATION WASHER |
| 36   | R61620012 | 1      | DOOR HANDLE CATCH SPRING            |
| 37   | R61620041 | 1      | DOOR HANDLE BUTTON SPRING           |
| 38   | R69031190 | 1      | DOOR HANDLE PUSH BUTTON             |
| 39   | R58002160 | 1      | DOOR HANDLE PRONG PIN               |
| 40   | R18202020 | 1      | DOOR HANDLE PRONG COUPLER           |



| POS. | CODE       | PIECES | DESCRIPTION                                |
|------|------------|--------|--|
| 1    | R58003840  | 1      | MOTOR GASKET BRASS FLANGE                  |
| 2    | R58003850  | 1      | MOTOR GASKET BRASS COUNTER FLANGE          |
| 3    | R58004000  | 1      | FAN SCREW M12x1.5 SX                       |
| 4    | R58004010  | 1      | FAN WASHER Ø 30/12.5                       |
| 5    | R61020562  | 1      | FAN SCREW TE A2 M6x55                      |
| 6    | *R65040520 | 1      | MOTOR 055/015 KW KIT                       |
| 7    | R65060050  | 2      | COMPONENTS VENTILATION MOTOR Ø 120         |
| 8    | R65070350  | 1      | CHAMBER SAFETY THERMOSTAT                  |
| 9    | R65070081  | 1      | STEAM GENERATOR SAFETY THERMOSTAT          |
| 10   | R65095000  | 1      | DAMPER SYSTEM                              |
| 11   | R65110200  | 1      | SOLENOID VALVE 220V 50HZ                   |
| 12   | R65110210  | 1      | SOLENOID VALVE 220V 50HZ WITH FLOW REDUCER |
| 13   | R65110510  | 1      | 15 LT/H WATER FLOW REDUCER                 |
| 14   | *R65140550 | 6      | CONTACTOR DIL 00 M-01 4KW                  |
| 15   | *R65140560 | 3      | CONTACTOR DIL 0 M 7,5KW                    |
| 16   | *R65160420 | 1      | THERMIC PROTECTION Z 00-1,6                |
| 17   | *R65160450 | 1      | THERMIC PROTECTION Z 00-1,0                |
| 18   | *R65140600 | 1      | AUX.CONTACT 1L+1R 11S DIL M 7,5-15KW       |
| 19   | *R65140610 | 1      | AUX.CONTACT 1L+1R 11 DIL M 4KW             |

| POS. | CODE       | PIECES | DESCRIPTION                    |
|------|------------|--------|--------------------------------|
| 20   | R65180420  | 2      | TRANSFORMER 20VA               |
| 21   | *R65190180 | 1      | CAPACITOR 10 µF                |
| 22   | R65200200  | 1      | FUSE 2A                        |
| 23   | R65200080  | 2      | FUSE 0.25A (T)                 |
| 24   | R65210020  | 3      | FUSE CARRIER                   |
| 25   | R65220080  | 1      | TERMINAL BOARD                 |
| 26   | R65260540  | 1      | DOOR SWITCH                    |
| 27   | *R65280200 | 3      | INTERFERENCE SUPPRESSOR        |
| 28   | *R65280450 | 1      | FERRITE                        |
| 29   | R65325000  | 3      | PROBE PT100                    |
| 30   | R70020050  | 1      | MOTOR GASKET                   |
| 31   | *R75400440 | 1      | FAN Ø 350x114/12 50HZ P.D. KIT |

\*COMPONENT SUBMITTED TO CHANGEMENTS CAUSED BY TENSION DIFFERENT FROM THE STANDARD [3N AC400V 50HZ]



