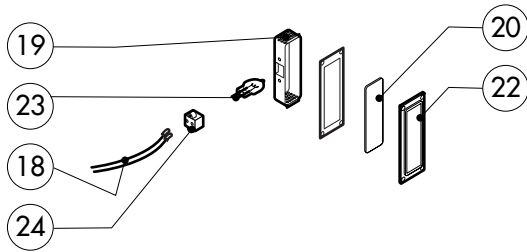
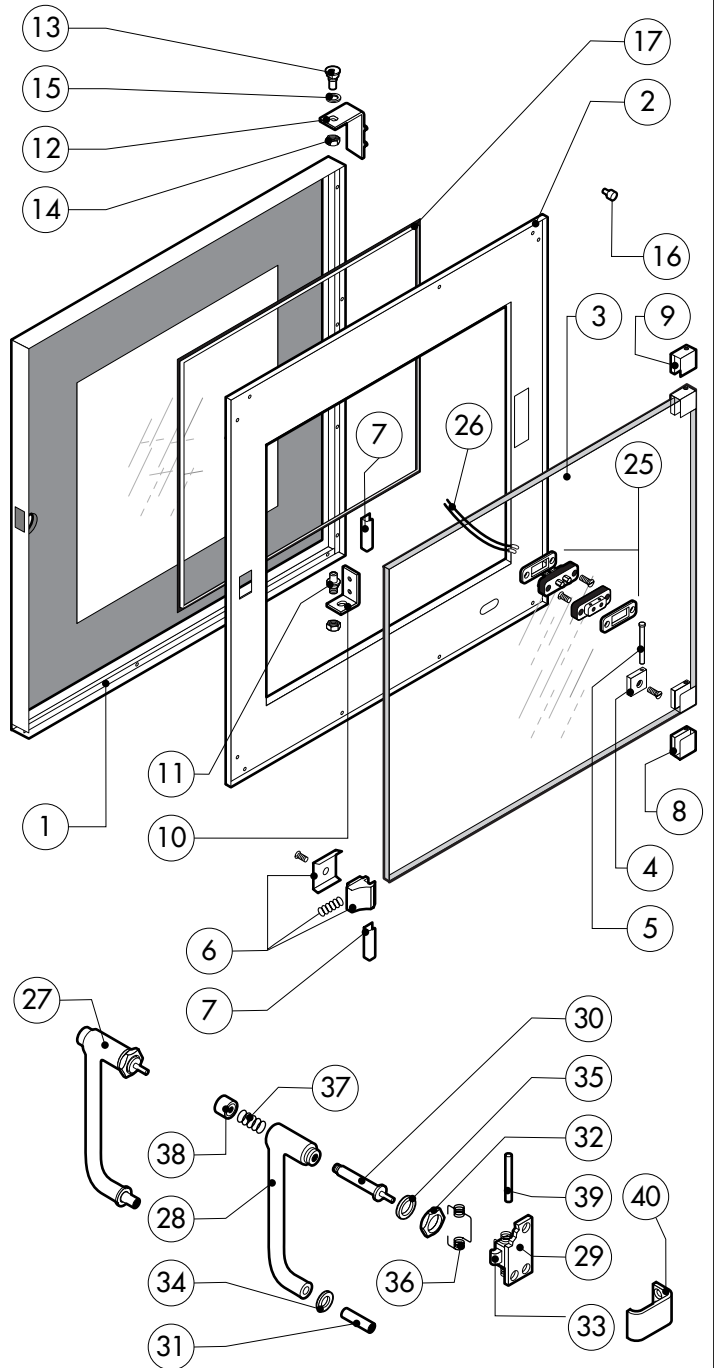
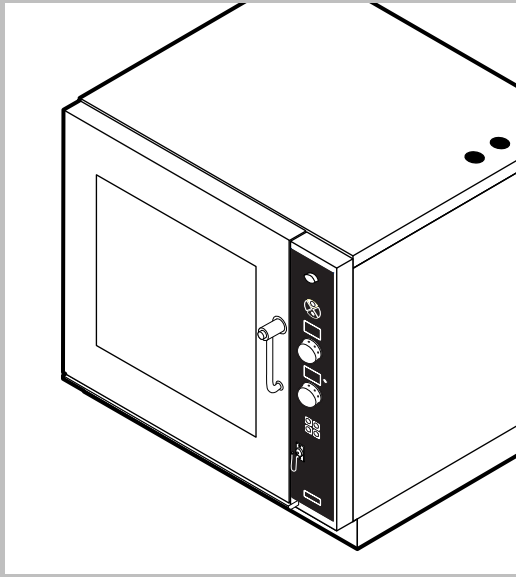


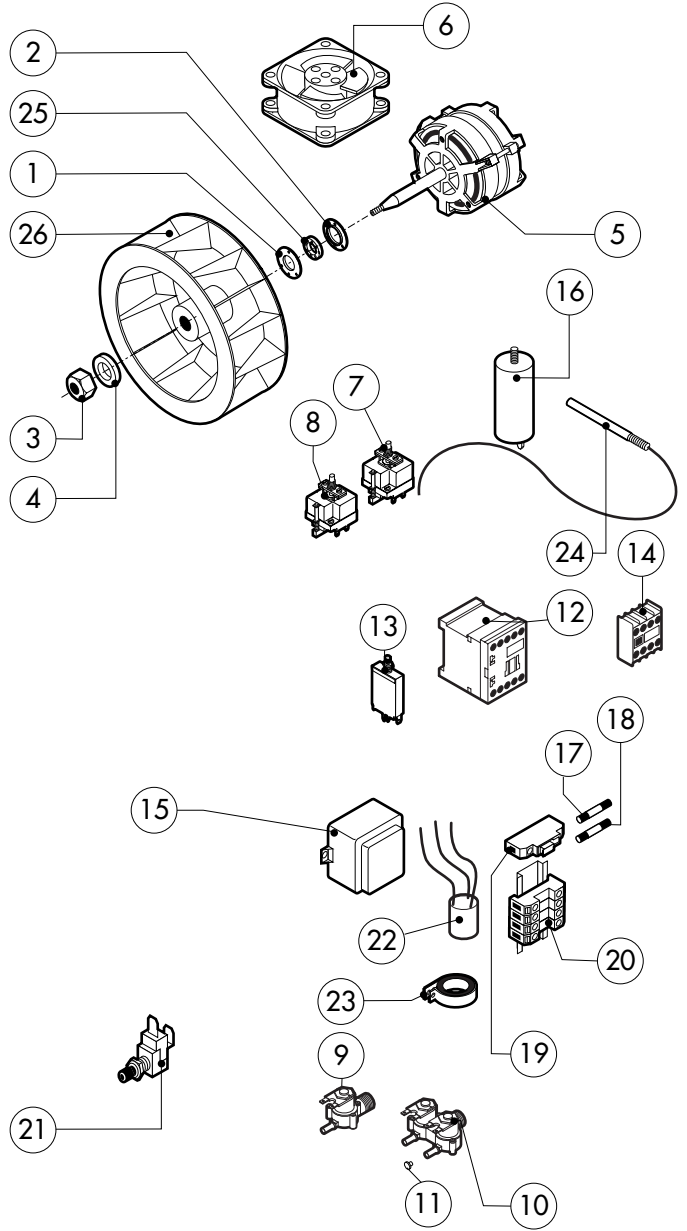
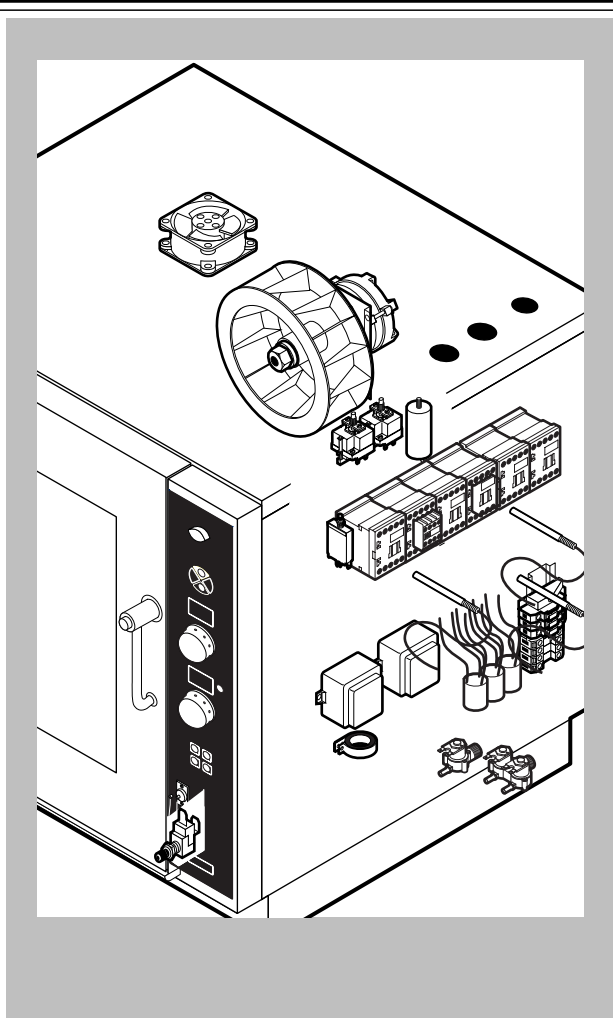
POS.	CODE	PIECES	DESCRIPTION
1	R18100040	1	DOOR ASSEMBLY
2	R18201910	1	CONTROL PANEL
3	R11200650	1	SPRITZER EXTENSION
4	R11200380	1	SPRITZER UNION
5	R18100390	1	COOKING CABINET ASSEMBLY
6	R18404240	1	FAN GUARD PANEL ASSEMBLY
7	R18404330	2	SIDE PANEL
8	R18404320	1	REAR PANEL
9	R18404350	1	COVER PANEL
10	R58006400	4	FAN GUARD FASTENING SCREW
11	R70044230	1	FRONT GASKET
12	R18201830	1	REMOVABLE RACK DX
13	R18201840	1	REMOVABLE RACK SX

POS.	CODE	PIECES	DESCRIPTION



POS.	CODE	PIECES	DESCRIPTION
1	R18202060	1	DOOR
2	R18202070	1	INNER DOOR PANEL
3	R71201500	1	INNER DOOR GLASS
4	R58001760	2	INNER GLASS SOLID HINGE
5	R58001770	2	INNER GLASS HINGE PIN
6	R58001780	2	INNER GLASS CATCH KIT
7	R11401340	1	TOP "C" PROFILE
8	R18203910	1	LOWER SUPPORT GLASS
9	R18203920	1	TOP SUPPORT GLASS
10	R18404500	1	LOWER DOOR HINGE
11	R58002520	1	LOWER HINGE PIN
12	R11200560	1	UPPER DOOR HINGE
13	R58002150	1	HINGE PIN
14	R58004050	2	NUT FOR UPPER DOOR HINGE
15	R10401710	1	WASHER FOR UPPER DOOR HINGE
16	R70050100	6	GLASS SILICON SPACERS
17	R70044650	1	GLASS GASKET
18	R66110320	1	DOOR LAMPS CABLE SET
19	R11401440	1	LAMP COVER
20	R71500150	1	GLASS LAMP
21	R70044200	1	LAMP GASKET

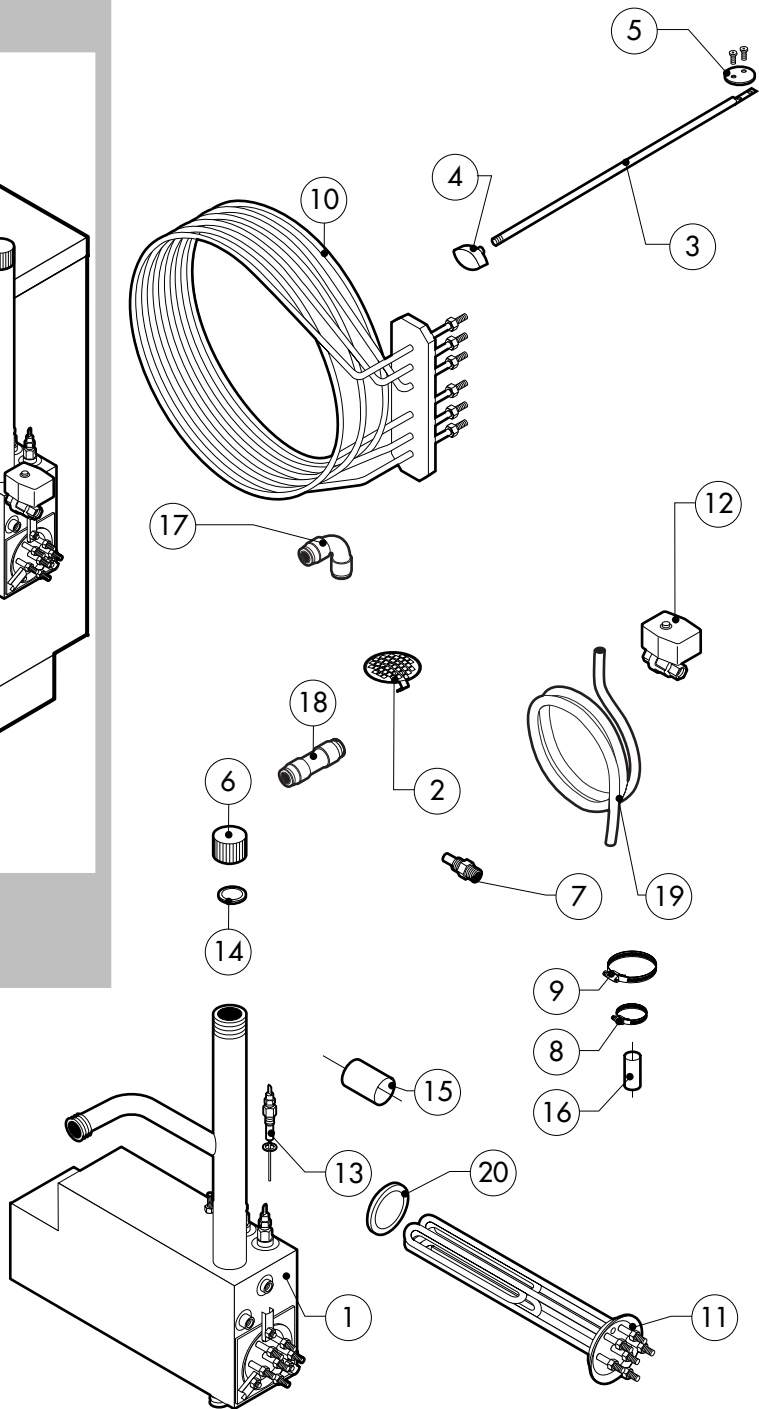
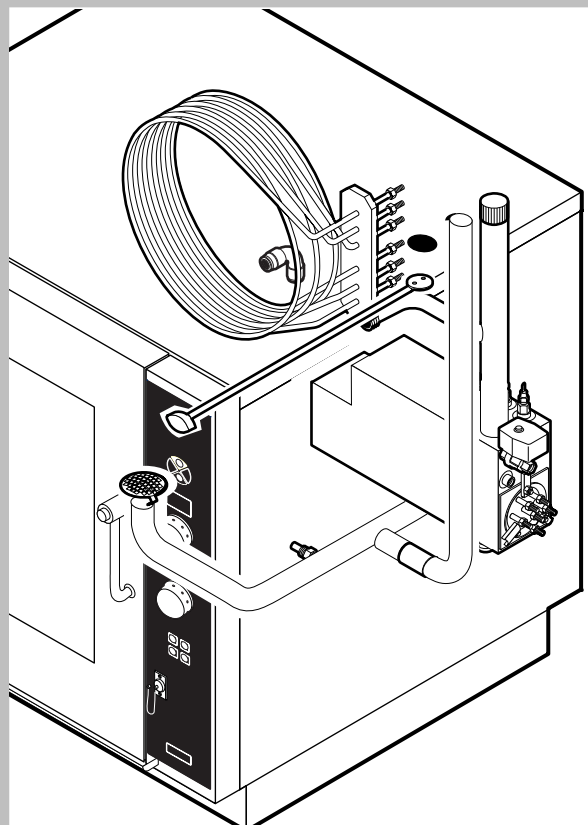
POS.	CODE	PIECES	DESCRIPTION
22	R11401450	1	GLASS HOLDER LAMP FLANGE
23	R65270020	1	LIGHT 20W 12V G4
24	R65270450	1	LIGHT SOCKET
25	R65260750	1	LAMPS CONTACT BLOCK
26	R66110300	1	LAMPS CONTACT CABLE SET
27	R69015000	1	DOOR HANDLE ASSEMBLY
28	R09200230	1	DOOR HANDLE
29	R10100110	1	PRONG FLANGE
30	R58003240	1	DOOR HANDLE BUTTON ROD
31	R58004270	1	DOOR HANDLE SPACER
32	R58004830	1	RING NUT M18x1
33	R58005050	1	DOOR HANDLE PRONG
34	R58005340	1	DOOR HANDLE LOWER INSULATION WASHER
35	R58005350	1	DOOR HANDLE UPPER INSULATION WASHER
36	R61620012	1	DOOR HANDLE CATCH SPRING
37	R61620041	1	DOOR HANDLE BUTTON SPRING
38	R69031190	1	DOOR HANDLE PUSH BUTTON
39	R58002160	1	DOOR HANDLE PRONG PIN
40	R18202020	1	DOOR HANDLE PRONG COUPLER



POS.	CODE	PIECES	DESCRIPTION
1	R58003860	1	MOTOR GASKET BRASS FLANGE
2	R58003870	1	MOTOR GASKET BRASS COUNTER FLANGE
3	R58004020	1	FAN SECURITY NUT M10 SX
4	R61400052	1	FAN WASHER Ø 21/10.5
5	*R65040421	1	MOTOR KW 025 2P 220-240V KIT
6	R65060050	2	COMPONENTS VENTILATION MOTOR Ø 120
7	R65070350	1	CHAMBER SAFETY THERMOSTAT
8	R65070081	1	STEAM GENERATOR SAFETY THERMOSTAT
9	R65110200	1	SOLENOID VALVE 220V 50HZ
10	R65110210	1	SOLENOID VALVE 220V 50HZ WITH FLOW REDUCER
11	R65110500	1	10 LT/H WATER FLOW REDUCER
12	*R65140550	6	CONTACTOR DIL 00 M-01 4KW
13	*R65160320	1	THERMIC PROTECTION T12-211S-2A
14	*R65140610	2	AUX.CONTACT 1L+1R 11 DIL M 4KW
15	R65180420	2	TRANSFORMER 20VA
16	*R65190180	1	CAPACITOR 10 µF
17	R65200200	1	FUSE 2A
18	R65200080	2	FUSE 0.25A (T)
19	R65210020	3	FUSE CARRIER

POS.	CODE	PIECES	DESCRIPTION
20	R65220090	1	TERMINAL BOARD
21	R65260540	1	DOOR SWITCH
22	*R65280200	3	INTERFERENCE SUPPRESSOR
23	*R65280450	1	FERRITE
24	R65325000	3	PROBE PT100
25	R70020040	1	MOTOR GASKET
26	*R75400400	1	FAN Ø 220x78/12 50HZ P.D. KIT

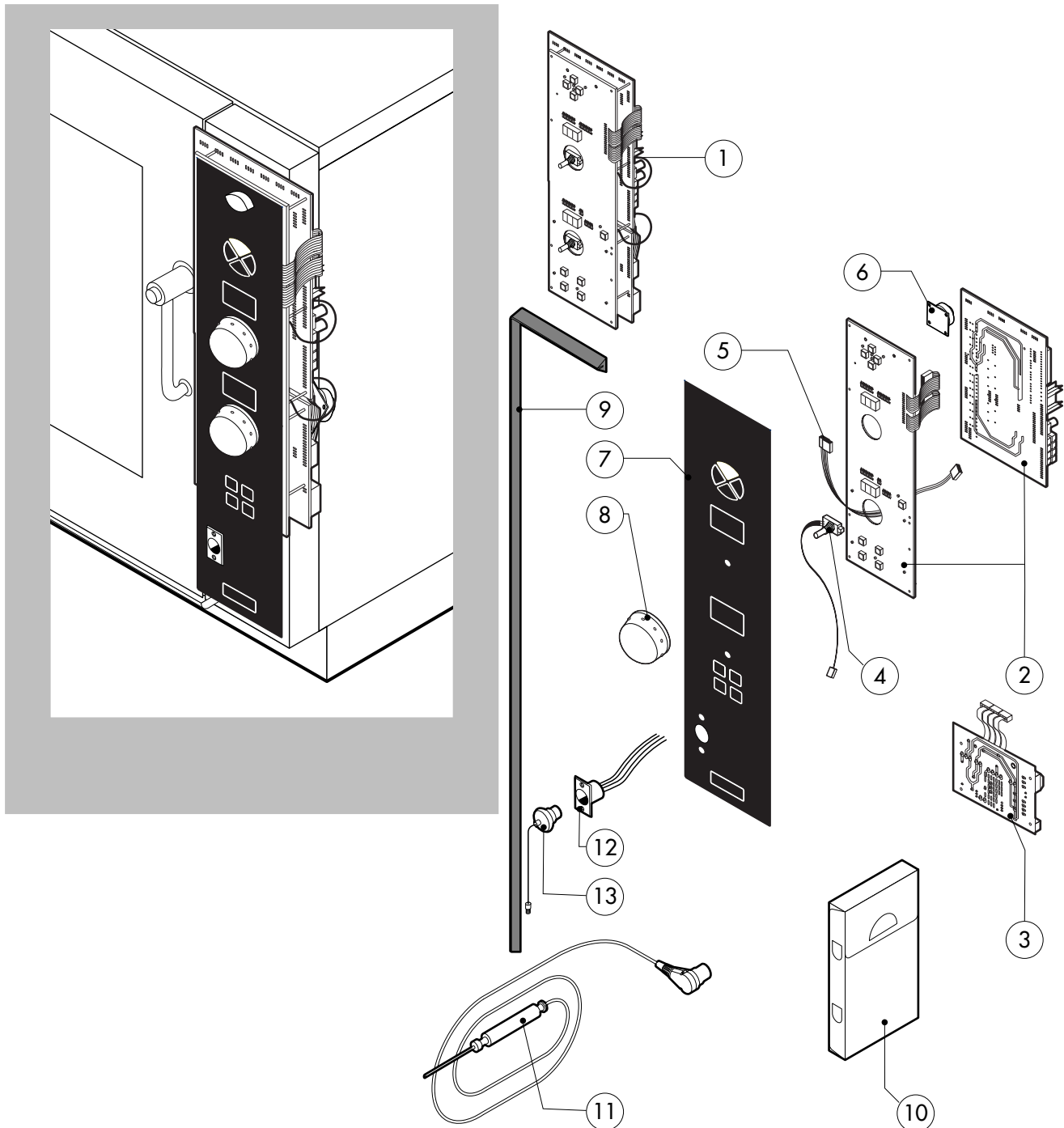
\*COMPONENT SUBMITTED TO CHANGEMENTS CAUSED BY TENSION DIFFERENT FROM THE STANDARD [3N AC400V 50HZ]



POS.	CODE	PIECES	DESCRIPTION
1	R18100200	1	STEAM GENERATOR ASSEMBLY
2	R10201700	1	DRAIN FILTER
3	R58003600	1	CHAMBER VENT ROD
4	R69010410	1	STEAM OUTLET KNOB
5	R04403460	1	CHAMBER VENT PLATE Ø 46
6	R58005680	1	STEAM GENERATOR DESCALING CAP 1"1/4 F
7	R58006130	1	STEAM QUENCHING NOZZLE Ø 1
8	R61630011	2	METAL CLAMPS 12-22/9
9	R61630021	2	METAL CLAMPS 30-45/9
10	*R65011540	1	CHAMBER HEATING ELEMENT 7500W
11	*R65020350	1	STEAM GENERATOR HEATING ELEMENT 7500W
12	R65110560	1	STEAM GENERATOR DRAIN MOTORIZED VALVE
13	R65320010	2	STEAM GENERATOR LEVEL PROBE
14	R70050040	1	STEAM GENERATOR CAP GASKET
15	R70060010	1	SILICON COUPLING Ø 30
16	R70060080	1	SILICON COUPLING Ø 13
17	R62090478	6	ELBOW MIDDLING PIPE FITTING D.10
18	R62090458	1	STRAIGHT MIDDLING PIPE FITTING D.10
19	R70070050	1	PE D.10 MM X7 WATER FLEXIBLE PIPE (3 MT LONG)

POS.	CODE	PIECES	DESCRIPTION
20	R70045010	1	STEAM GENERATOR HEATING ELEMENT GASKET

\*COMPONENT SUBMITTED TO CHANGEMENTS CAUSED BY TENSION DIFFERENT FROM THE STANDARD [3N AC400V 50HZ]



POS.	CODE	PIECES	DESCRIPTION
1	R65301310	1	CONTROL PANEL P.C. BOARD
2	R65301320	1	FRONT PC BOARD "D" MOD
3	R65301480	1	BOILER CONTROL PC BOARD "H-P" MOD
4	R65301450	2	FRONT PC BOARD ENCODER
5	R65301340	1	PC BOARD FLAT CABLE
6	R65301440	1	PC BOARD BUZZER
7	R67451400	1	PLATE
8	R69030260	2	KNOB
9	R70044250	1	CONTROL PANEL GASKET
10	R86020420	1	CORE TEMPERATURE PROBE BOX
11	R65321120	1	CORE TEMPERATURE PROBE
12	R65320920	1	CORE TEMPERATURE PROBE FEMALE CONNECTOR
13	R65321020	1	COVER FOR FEMALE CONNECTOR

POS.	CODE	PIECES	DESCRIPTION