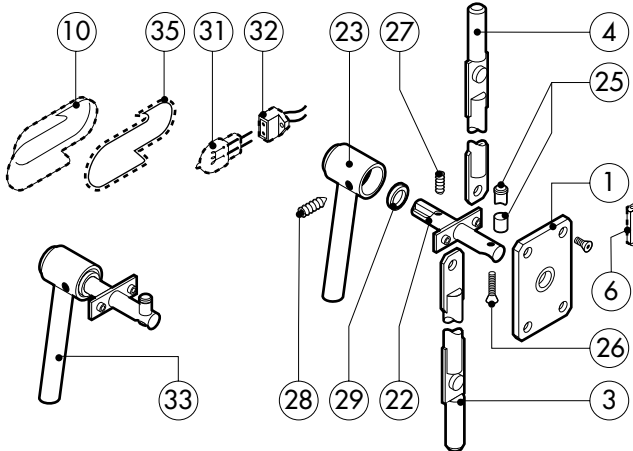
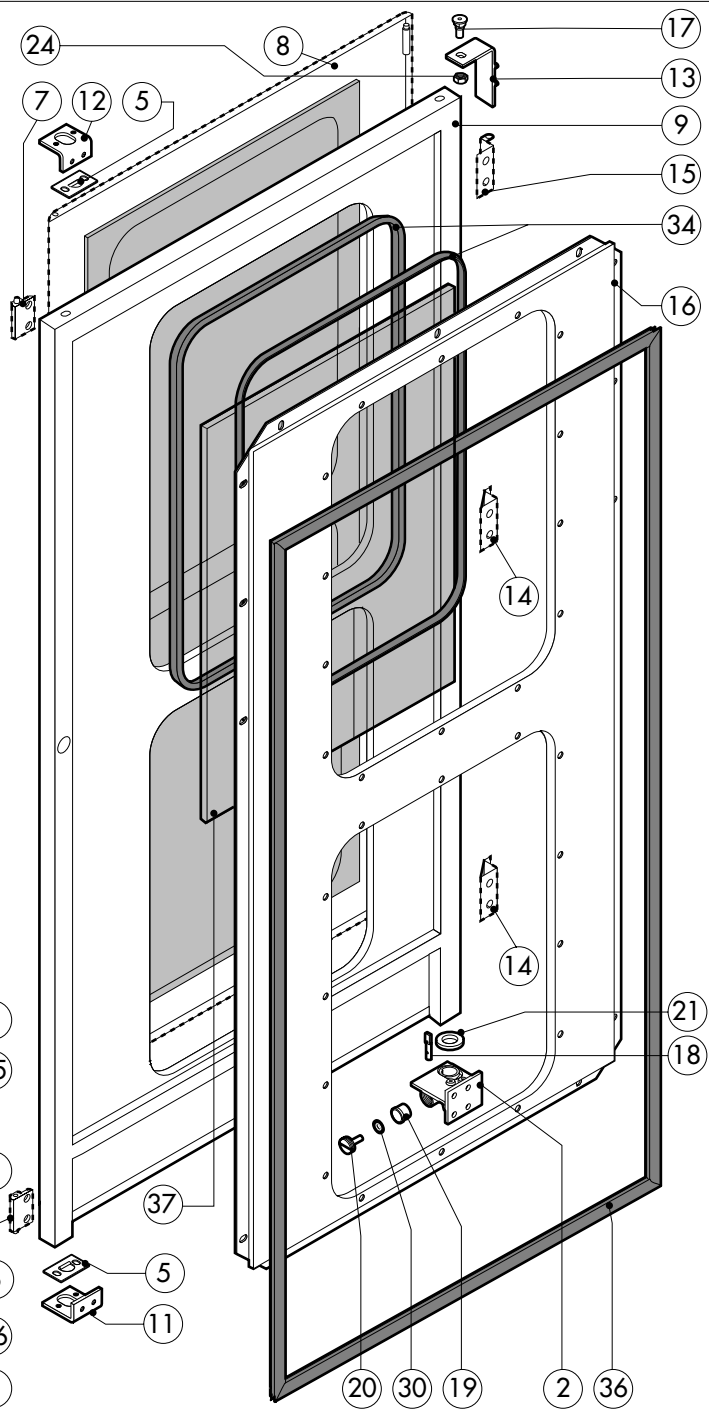
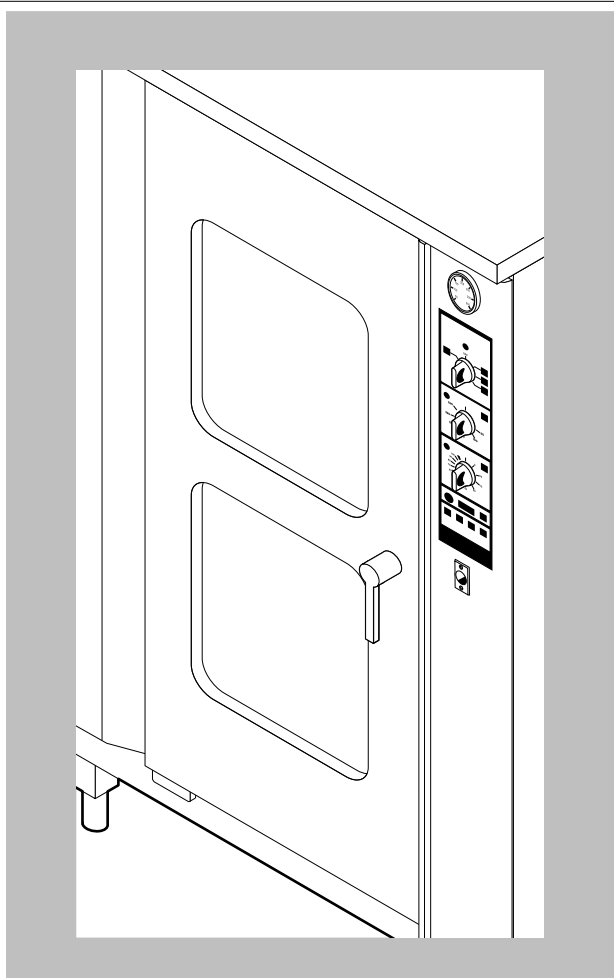


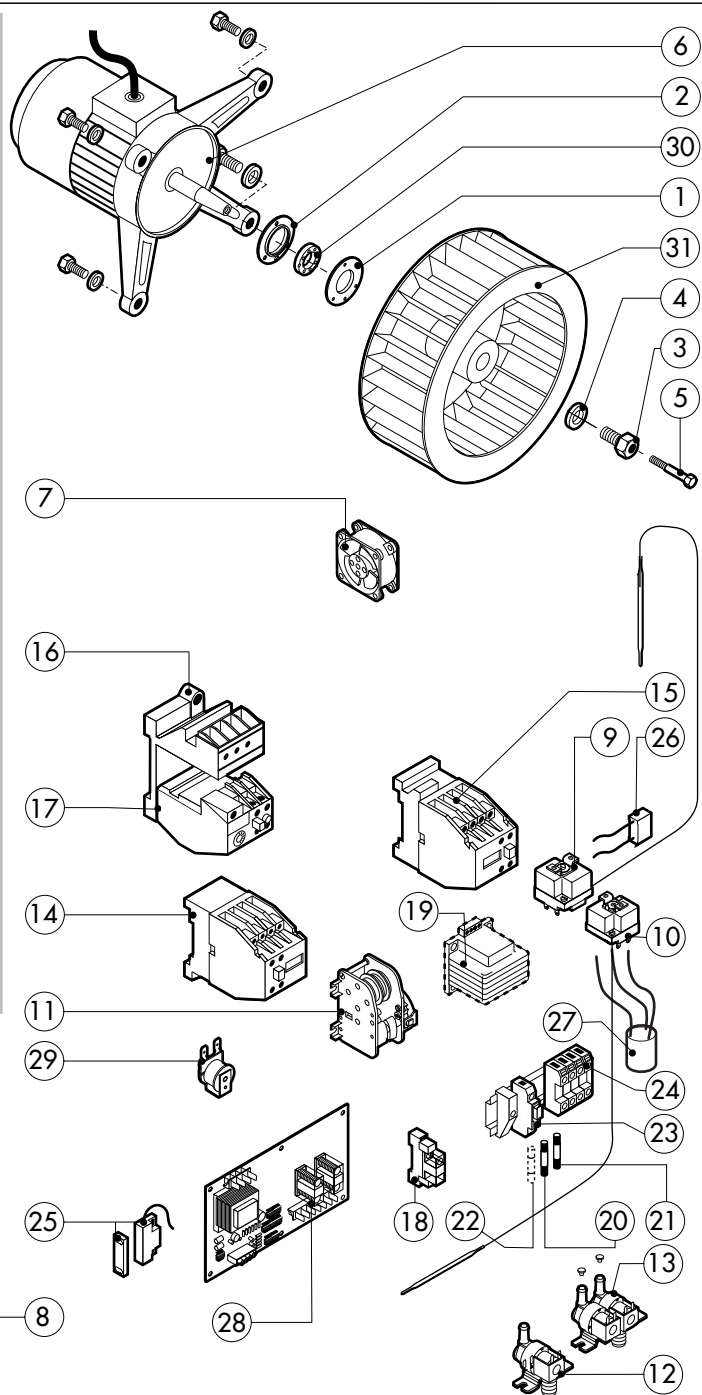
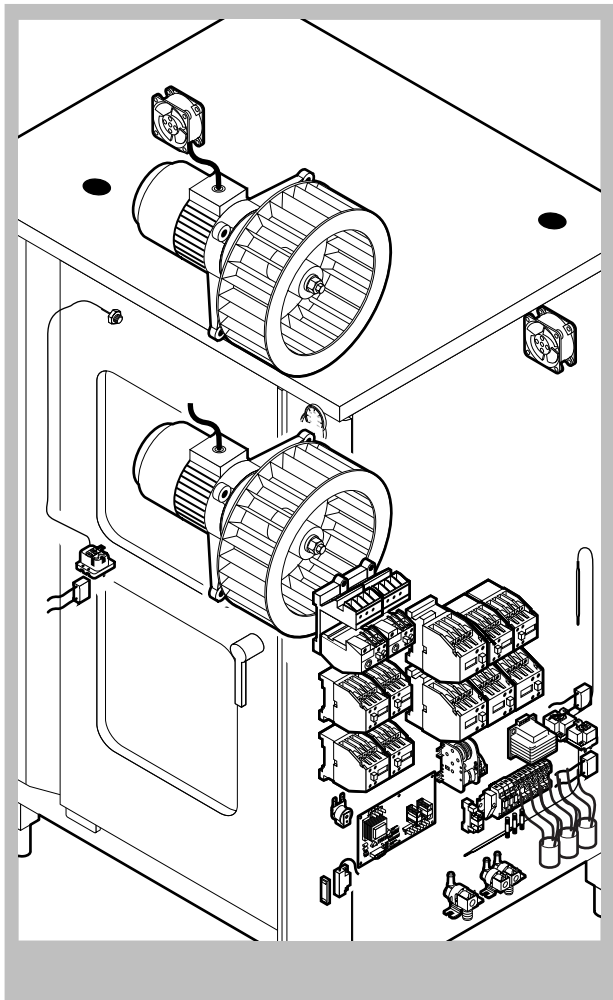
POS.	CODE	PIECES	DESCRIPTION
1	R10105340	1	DOOR ASSEMBLY WITH COVER
2	R10104310	1	DOOR ASSEMBLY WITH LIGHTS AND COVER
3	R10105320	1	DOOR ASSEMBLY
4	R10105330	1	DOOR ASSEMBLY WITH LIGHTS
5	R10206480	2	SPRITZER EXTENSION
6	R10206540	2	SPRITZER UNION
7	R10207710	1	FRONT LEFT PANEL
8	R10213780	1	CONTROL PANEL
9	R10220950	1	COOKING CABINET ASSEMBLY
10	R10222030	1	COVER PANEL
11	R10222500	1	RIGHT SIDE PANEL
12	R10222510	1	LEFT SIDE PANEL
13	R10222520	1	REAR PANEL
14	R10222540	2	FAN GUARD PANEL ASSEMBLY
15	R58003100	4	FAN GUARD FASTENING SCREW
16	R69070020	4	FOOT 1"1/2x133
17	R70043300	1	FRONT GASKET
18	R75300020	2	FAN GUARD GRID Ø 120
19	R75300090	2	FAN GUARD GRID Ø 350

POS.	CODE	PIECES	DESCRIPTION
20	R70041150	1	GASKET FOR TROLLEY



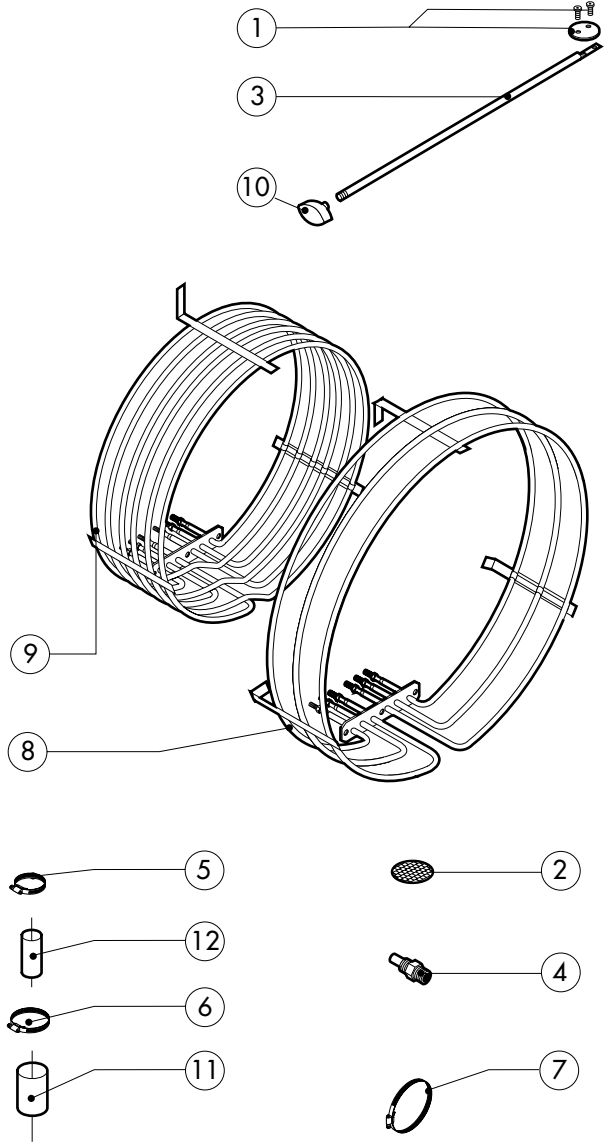
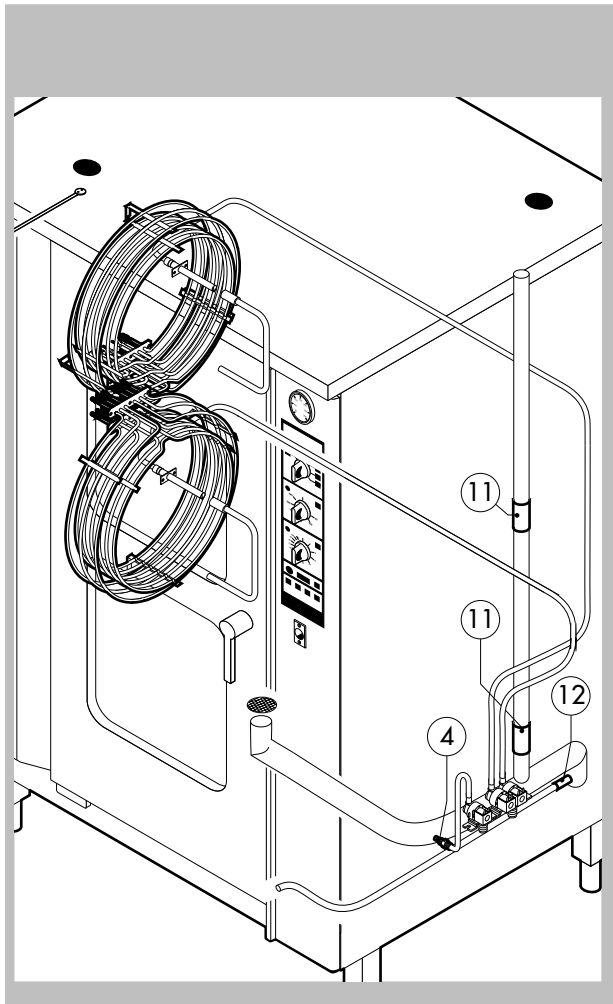
POS.	CODE	PIECES	DESCRIPTION
1	R03200970	1	DOOR LOCK REAR FLANGE
2	R10201330	1	LOWER DOOR HINGE WITH RETAINER
3	R10202950	1	LOWER DOOR ROD
4	R10202960	1	UPPER DOOR ROD
5	R10207680	2	DOOR ROD ADJUSTABLE PLATE
6	R10208290	1	FRONT LOWER DOOR PANEL CATCH
7	R10208300	1	FRONT UPPER DOOR PANEL CATCH
8	R10208350	1	FRONT DOOR PANEL
9	R10213720	1	DOOR
10	R10400150	2	LIGHT PROTECTION
11	R10411350	1	LOWER SQUARE FOR DOOR ROD
12	R10411360	1	UPPER SQUARE FOR DOOR ROD
13	R10413290	1	UPPER DOOR HINGE
14	R10456040	2	LOWER HINGE FOR FRONT DOOR PANEL
15	R10456050	1	UPPER HINGE FOR FRONT DOOR PANEL
16	R10458910	1	INNER DOOR PANEL
17	R58002150	1	HINGE PIN
18	R58002540	1	DOOR PIVOT SUNK KEY
19	R58002550	1	DOOR RETAINER GUIDE SHOE

POS.	CODE	PIECES	DESCRIPTION
20	R58002560	1	SCREW FOR LOWER DOOR HINGE
21	R58002570	1	WASHER Ø 30/15x3
22	R58003180	1	DOOR HANDLE PIN
23	R58003450	1	DOOR HANDLE
24	R58004050	1	NUT FOR UPPER DOOR HINGE
25	R58004781	1	DOOR HANDLE HOOK
26	R61040272	1	DOOR HANDLE HOOK SCREW
27	R61090052	1	GRUB SCREW M6x16
28	R61100262	1	GRUB SCREW M8x20
29	R61420021	1	ELASTIC WASHER
30	R61620091	16	BELLEVILLE WASHER Ø 14/6.4
31	R65270020	2	LIGHT 20W 12V G4
32	R65270400	2	LIGHT SOCKET
33	R69015050	1	DOOR HANDLE ASSEMBLY
34	R70040200	4	GLASS GASKET
35	R70040800	2	LIGHT PROTECTION GASKET
36	R70042160	1	DOOR GASKET
37	R71030120	2	DOOR GLASS



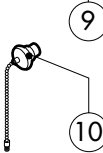
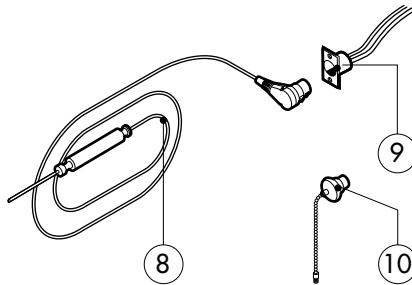
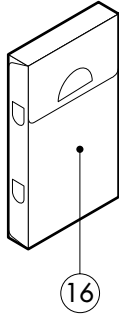
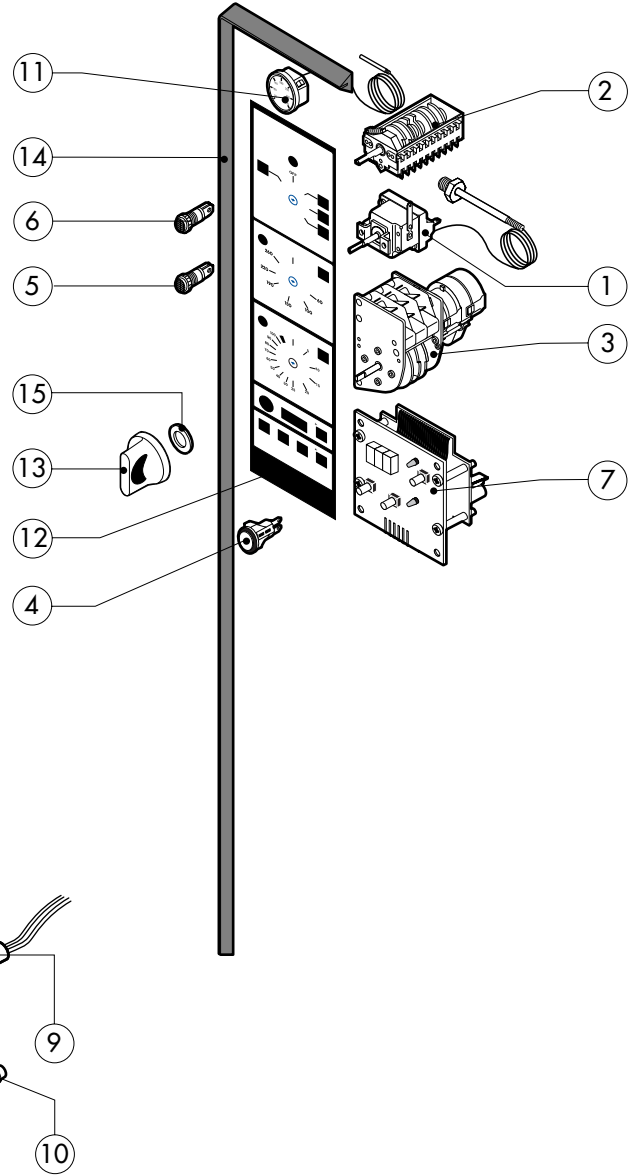
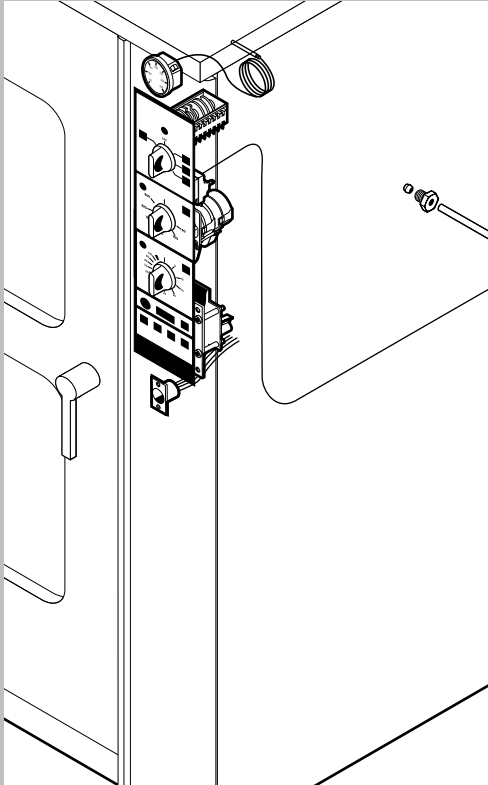
POS.	CODE	PIECES	DESCRIPTION
1	R58003840	2	MOTOR GASKET BRASS FLANGE
2	R58003850	2	MOTOR GASKET BRASS COUNTER FLANGE
3	R58004000	2	FAN SCREW M12x1.5 SX
4	R58004010	2	FAN WASHER Ø 30/12.5
5	R61020562	2	FAN SCREW TE A2 M6x55
6	R65040051	2	MOTOR HP 1/0.3 KIT
7	R65060050	2	COMPONENTS VENTILATION MOTOR Ø 120
8	R65070070	1	CHAMBER SAFETY THERMOSTAT
9	R65070165	1	THERMOSTAT 65°C
10	R65070240	1	THERMOSTAT 70°C
11	R65090190	1	REVERSING SWITCH 8'
12	R65110010	1	SOLENOID VALVE 220V 50HZ
13	R65115060	1	SOLENOID VALVE 220V 50HZ WITH 2 FLOW REDUCER
14	R65140150	2	CONTACTOR 3TF4011-OAUO 240V
15	R65140240	8	CONTACTOR 3TF4211-OAUO 240V
16	R65160050	2	THERMIC SWITCH SUPPORT 3UX1418
17	R65160120	2	THERMIC PROTECTION 3UA5000-1C 1.6-2.5A
18	R65170050	1	RELAY 4052 240V AC 10A
19	R65180430	1	TRANSFORMER 40VA

POS.	CODE	PIECES	DESCRIPTION
20	R65200086	1	FUSE 0.125A (T)
21	R65200200	1	FUSE 2A
22	R65200350	1	FUSE 0.4A (T)
23	R65210020	3	FUSE CARRIER
24	R65220130	1	TERMINAL BOARD
25	R65265100	1	DOOR SWITCH
26	R65280130	3	INTERFERENCE SUPPRESSOR
27	R65280200	3	INTERFERENCE SUPPRESSOR
28	R65300490	1	RELAYS P.C. BOARD
29	R65330010	1	BUZZER
30	R70020050	2	MOTOR GASKET
31	R75400380	2	FAN Ø 350x120/24 50HZ P.D. KIT



POS.	CODE	PIECES	DESCRIPTION
1	R04403460	1	CHAMBER VENT PLATE Ø 46
2	R10201720	1	DRAIN FILTER
3	R58003520	1	CHAMBER VENT ROD
4	R58006080	1	STEAM QUENCHING NOZZLE Ø 2
5	R61630011	8	METAL CLAMPS 12-22/9
6	R61630021	2	METAL CLAMPS 30-45/9
7	R61630071	4	METAL CLAMPS 110-130/9
8	R65011250	2	CHAMBER HEATING ELEMENT 15000W
9	R65011310	2	CHAMBER HEATING ELEMENT 15000W
10	R69010410	1	STEAM OUTLET KNOB
11	R70060010	2	SILICON COUPLING Ø 30
12	R70060080	1	SILICON COUPLING Ø 13

POS.	CODE	PIECES	DESCRIPTION



POS.	CODE	PIECES	DESCRIPTION
1	R65070210	1	CABINET THERMOSTAT 50/270°C
2	R65080020	1	MAIN SELECTOR SWITCH
3	R65090200	1	TIMER
4	R65260520	1	HUMIDIFIER PUSH BUTTON
5	R65270220	2	ORANGE INDICATING LIGHT
6	R65270230	1	GREEN INDICATING LIGHT
7	R65300540	1	CONTROL PANEL P.C. BOARD
8	R65320900	1	CORE TEMPERATURE PROBE
9	R65320920	1	CORE TEMPERATURE PROBE FEMALE CONNECTOR
10	R65321020	1	COVER FOR FEMALE CONNECTOR
11	R65340050	1	THERMOMETER
12	R67012310	1	LAINOX PLATE
13	R69030150	3	KNOB KIT
14	R70040850	1	CONTROL PANEL GASKET
15	R70050020	6	KNOB GASKET
16	R86020420	1	CORE TEMPERATURE PROBE BOX

POS.	CODE	PIECES	DESCRIPTION