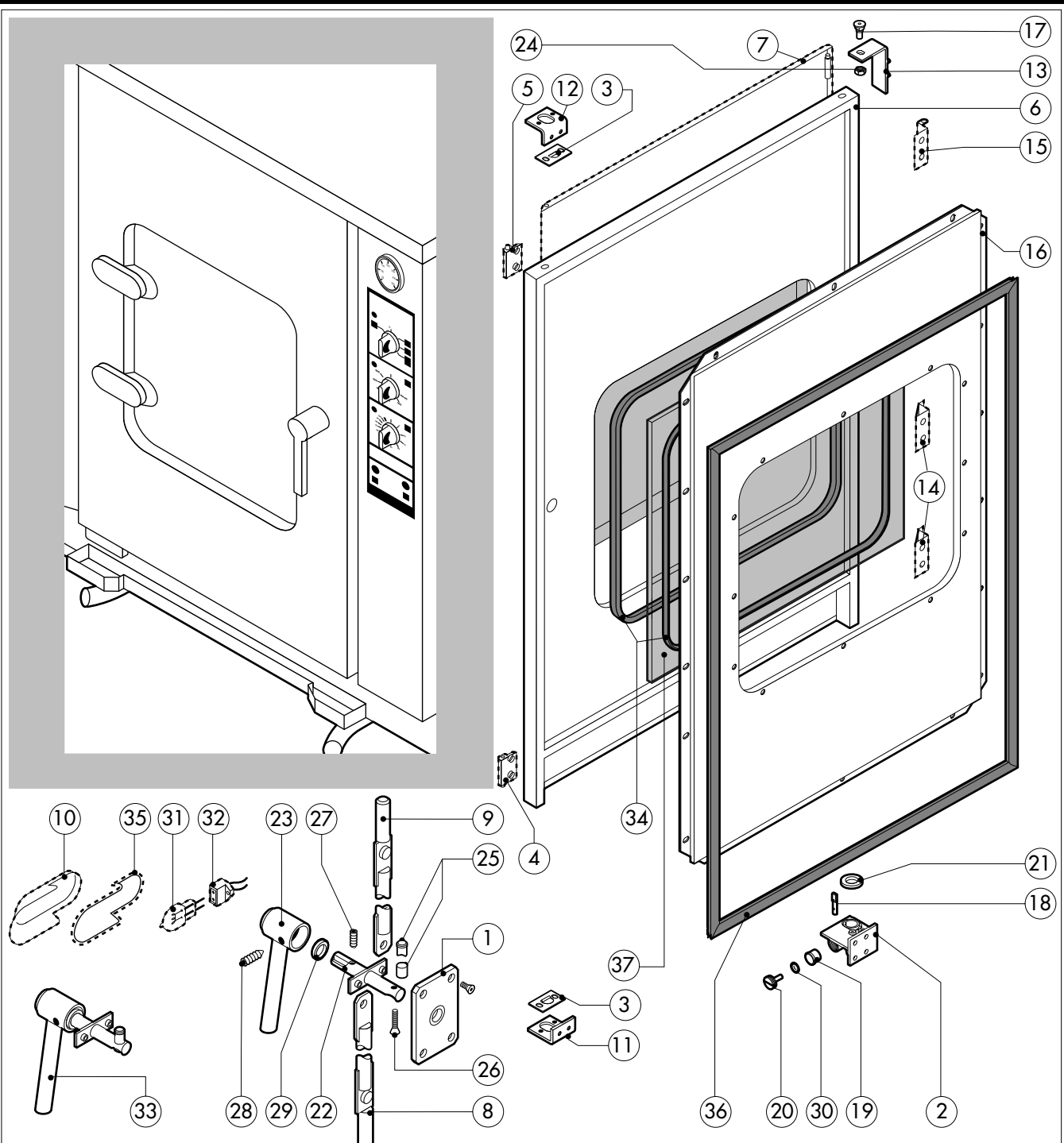


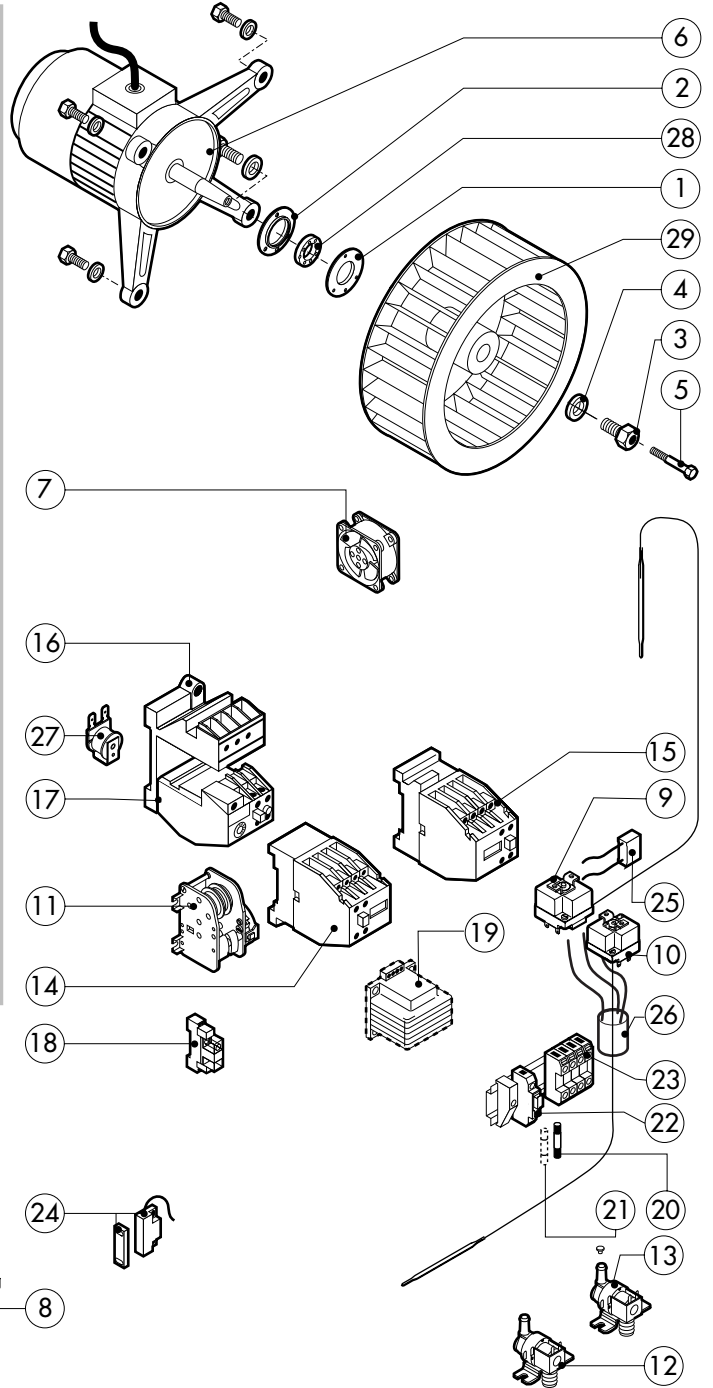
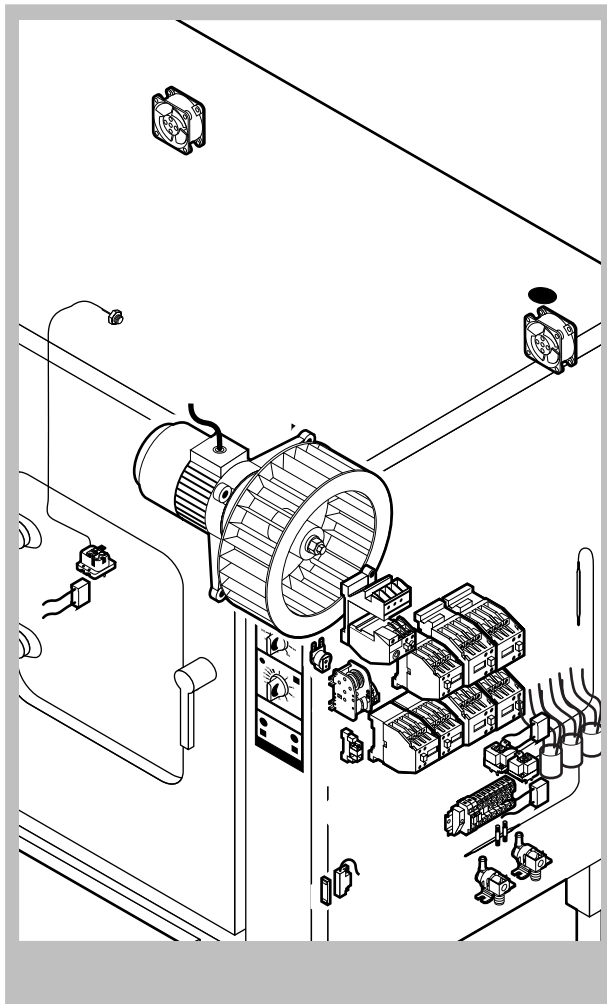
| POS. | CODE | PIECES | DESCRIPTION |
|------|-----------|--------|-------------------------------------|
| 1 | R10105240 | 1 | DOOR ASSEMBLY |
| 2 | R10105250 | 1 | DOOR ASSEMBLY WITH LIGHTS |
| 3 | R10105260 | 1 | DOOR ASSEMBLY WITH COVER |
| 4 | R10105270 | 1 | DOOR ASSEMBLY WITH LIGHTS AND COVER |
| 5 | R10206480 | 1 | SPRITZER EXTENSION |
| 6 | R10206540 | 1 | SPRITZER UNION |
| 7 | R10213750 | 1 | CONTROL PANEL |
| 8 | R10221980 | 1 | COVER PANEL |
| 9 | R10222030 | 1 | COOKING CABINET ASSEMBLY |
| 10 | R10222170 | 1 | FRONT LEFT PANEL |
| 11 | R10222230 | 1 | LEFT SIDE PANEL |
| 12 | R10222240 | 1 | REAR PANEL |
| 13 | R10222260 | 1 | FAN GUARD PANEL ASSEMBLY |
| 14 | R10460830 | 1 | RIGHT SIDE PANEL |
| 15 | R58003100 | 2 | FAN GUARD FASTENING SCREW |
| 16 | R69070020 | 4 | FOOT 1"1/2x133 |
| 17 | R70043290 | 1 | FRONT GASKET |
| 18 | R75300020 | 2 | FAN GUARD GRID Ø 120 |
| 19 | R75300090 | 1 | FAN GUARD GRID Ø 350 |

| POS. | CODE | PIECES | DESCRIPTION |
|------|-----------|--------|--------------------|
| 20 | R70041150 | 1 | GASKET FOR TROLLEY |
| | | | |
| | | | |
| | | | |
| | | | |
| | | | |
| | | | |
| | | | |
| | | | |
| | | | |
| | | | |
| | | | |
| | | | |
| | | | |
| | | | |
| | | | |
| | | | |
| | | | |
| | | | |
| | | | |
| | | | |
| | | | |
| | | | |
| | | | |
| | | | |
| | | | |
| | | | |
| | | | |



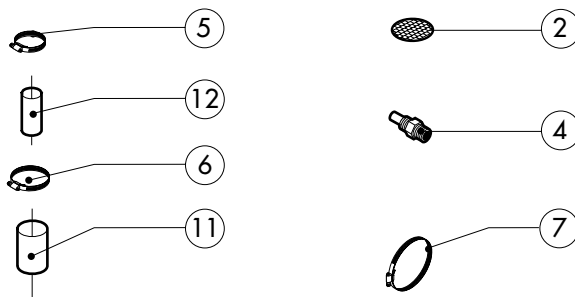
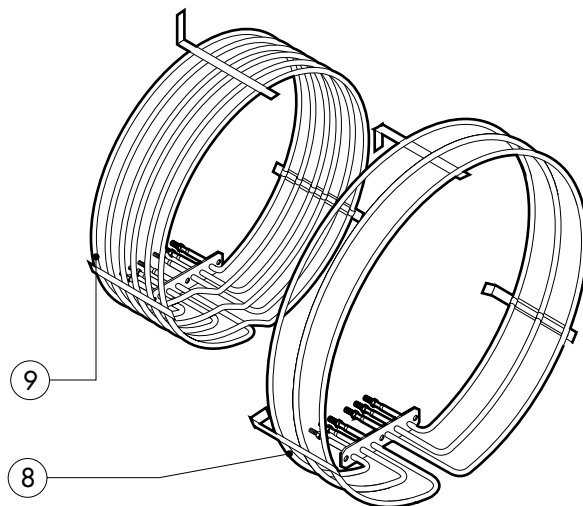
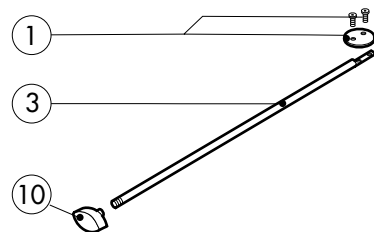
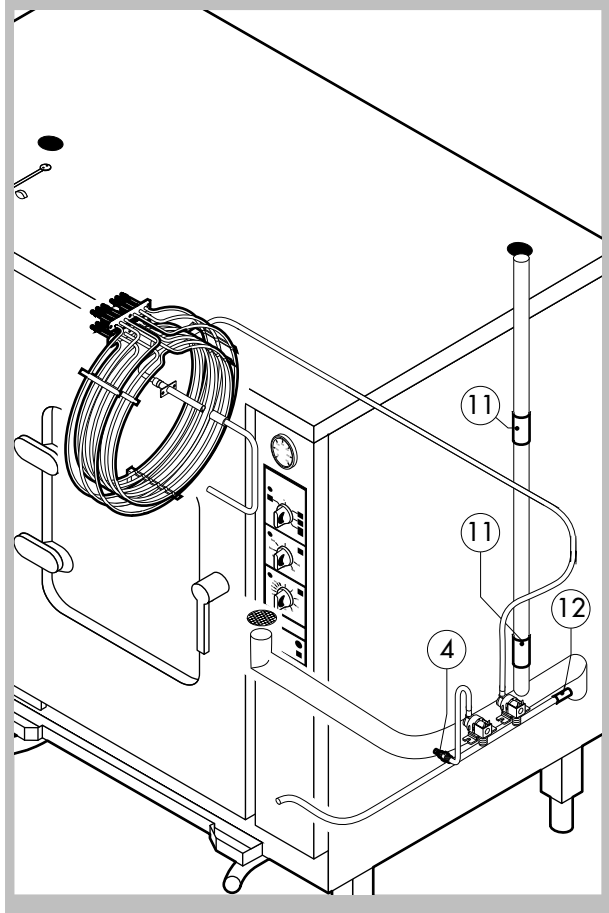
| POS. | CODE | PIECES | DESCRIPTION |
|------|-----------|--------|----------------------------------|
| 1 | R03200970 | 1 | DOOR LOCK REAR FLANGE |
| 2 | R10201330 | 1 | LOWER DOOR HINGE WITH RETAINER |
| 3 | R10207680 | 2 | DOOR ROD ADJUSTABLE PLATE |
| 4 | R10208290 | 1 | FRONT LOWER DOOR PANEL CATCH |
| 5 | R10208300 | 1 | FRONT UPPER DOOR PANEL CATCH |
| 6 | R10460590 | 1 | DOOR |
| 7 | R10222080 | 1 | FRONT DOOR PANEL |
| 8 | R10222140 | 1 | LOWER DOOR ROD |
| 9 | R10222150 | 1 | UPPER DOOR ROD |
| 10 | R10400150 | 2 | LIGHT PROTECTION |
| 11 | R10411350 | 1 | LOWER SQUARE FOR DOOR ROD |
| 12 | R10411360 | 1 | UPPER SQUARE FOR DOOR ROD |
| 13 | R10413290 | 1 | UPPER DOOR HINGE |
| 14 | R10456040 | 2 | LOWER HINGE FOR FRONT DOOR PANEL |
| 15 | R10456050 | 1 | UPPER HINGE FOR FRONT DOOR PANEL |
| 16 | R10460700 | 1 | INNER DOOR PANEL |
| 17 | R58002150 | 1 | HINGE PIN |
| 18 | R58002540 | 1 | DOOR PIVOT SUNK KEY |
| 19 | R58002550 | 1 | DOOR RETAINER GUIDE SHOE |

| POS. | CODE | PIECES | DESCRIPTION |
|------|-----------|--------|----------------------------|
| 20 | R58002560 | 1 | SCREW FOR LOWER DOOR HINGE |
| 21 | R58002570 | 1 | WASHER Ø 30/15x3 |
| 22 | R58003180 | 1 | DOOR HANDLE PIN |
| 23 | R58003450 | 1 | DOOR HANDLE |
| 24 | R58004050 | 1 | NUT FOR UPPER DOOR HINGE |
| 25 | R58004781 | 1 | DOOR HANDLE HOOK |
| 26 | R61040272 | 1 | DOOR HANDLE HOOK SCREW |
| 27 | R61090052 | 1 | GRUB SCREW M6x16 |
| 28 | R61100262 | 1 | GRUB SCREW M8x20 |
| 29 | R61420021 | 1 | ELASTIC WASHER |
| 30 | R61620091 | 16 | BELLEVILLE WASHER Ø 14/6.4 |
| 31 | R65270020 | 2 | LIGHT 20W 12V G4 |
| 32 | R65270400 | 2 | LIGHT SOCKET |
| 33 | R69015050 | 1 | DOOR HANDLE ASSEMBLY |
| 34 | R70040200 | 2 | GLASS GASKET |
| 35 | R70040800 | 2 | LIGHT PROTECTION GASKET |
| 36 | R70041940 | 1 | DOOR GASKET |
| 37 | R71030120 | 1 | DOOR GLASS |



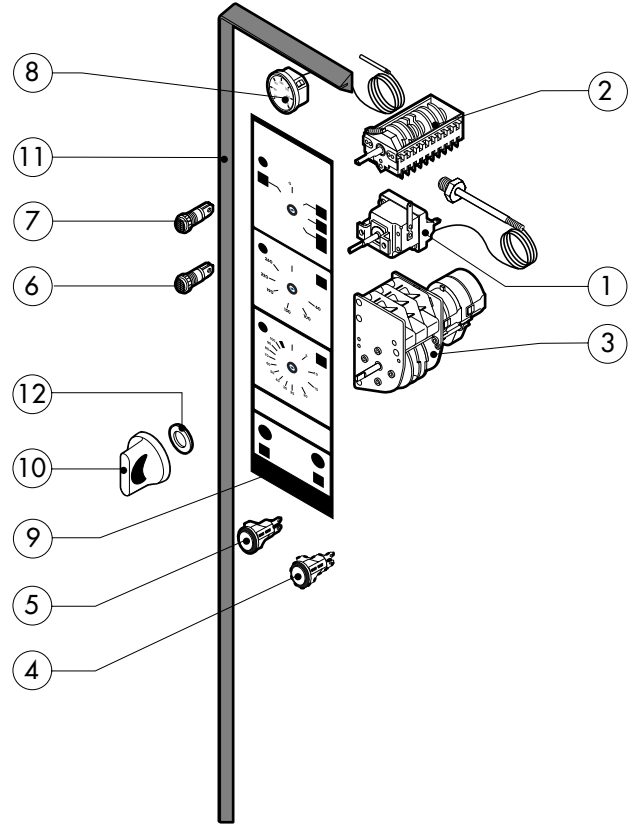
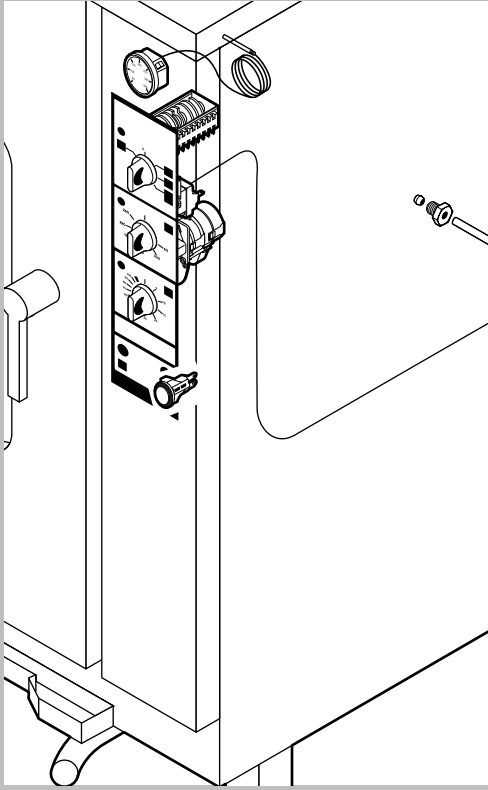
| POS. | CODE | PIECES | DESCRIPTION |
|------|-----------|--------|--|
| 1 | R58003840 | 1 | MOTOR GASKET BRASS FLANGE |
| 2 | R58003850 | 1 | MOTOR GASKET BRASS COUNTER FLANGE |
| 3 | R58004000 | 1 | FAN SCREW M12x1.5 SX |
| 4 | R58004010 | 1 | FAN WASHER Ø 30/12.5 |
| 5 | R61020562 | 1 | FAN SCREW TE A2 M6x55 |
| 6 | R65040061 | 1 | MOTOR HP 1 KIT |
| 7 | R65060050 | 2 | COMPONENTS VENTILATION MOTOR Ø 120 |
| 8 | R65070070 | 1 | CHAMBER SAFETY THERMOSTAT |
| 9 | R65070165 | 1 | THERMOSTAT 65°C |
| 10 | R65070240 | 1 | THERMOSTAT 70°C |
| 11 | R65090190 | 1 | REVERSING SWITCH 8" |
| 12 | R65110010 | 1 | SOLENOID VALVE 220V 50HZ |
| 13 | R65115040 | 1 | SOLENOID VALVE 220V 50HZ WITH FLOW REDUCER |
| 14 | R65140150 | 2 | CONTACTOR 3TF4011-OAUO 240V |
| 15 | R65140240 | 4 | CONTACTOR 3TF4211-OAUO 240V |
| 16 | R65160050 | 1 | THERMIC SWITCH SUPPORT 3UX1418 |
| 17 | R65160120 | 1 | THERMIC PROTECTION 3UA5000-1C 1.6-2.5A |
| 18 | R65170050 | 1 | RELAY 4052 240V AC 10A |
| 19 | R65180430 | 1 | TRANSFORMER 40VA |

| POS. | CODE | PIECES | DESCRIPTION |
|------|-----------|--------|--------------------------------|
| 20 | R65200200 | 1 | FUSE 2A |
| 21 | R65200350 | 1 | FUSE 0.4A (T) |
| 22 | R65210020 | 2 | FUSE CARRIER |
| 23 | R65220130 | 1 | TERMINAL BOARD |
| 24 | R65265100 | 1 | DOOR SWITCH |
| 25 | R65280130 | 3 | INTERFERENCE SUPPRESSOR |
| 26 | R65280200 | 3 | INTERFERENCE SUPPRESSOR |
| 27 | R65330010 | 1 | BUZZER |
| 28 | R70020050 | 1 | MOTOR GASKET |
| 29 | R75400380 | 1 | FAN Ø 350x120/24 50HZ P.D. KIT |
| | | | |
| | | | |
| | | | |
| | | | |
| | | | |
| | | | |
| | | | |
| | | | |
| | | | |



| POS. | CODE | PIECES | DESCRIPTION |
|------|-----------|--------|--------------------------------|
| 1 | R04403460 | 1 | CHAMBER VENT PLATE Ø 46 |
| 2 | R10201720 | 1 | DRAIN FILTER |
| 3 | R58003460 | 1 | CHAMBER VENT ROD |
| 4 | R58006080 | 1 | STEAM QUENCHING NOZZLE Ø 2 |
| 5 | R61630011 | 6 | METAL CLAMPS 12-22/9 |
| 6 | R61630021 | 2 | METAL CLAMPS 30-45/9 |
| 7 | R61630071 | 4 | METAL CLAMPS 110-130/9 |
| 8 | R65011250 | 1 | CHAMBER HEATING ELEMENT 15000W |
| 9 | R65011310 | 1 | CHAMBER HEATING ELEMENT 15000W |
| 10 | R69010410 | 1 | STEAM OUTLET KNOB |
| 11 | R70060010 | 2 | SILICON COUPLING Ø 30 |
| 12 | R70060080 | 1 | SILICON COUPLING Ø 13 |
| | | | |
| | | | |
| | | | |
| | | | |
| | | | |
| | | | |
| | | | |
| | | | |

| POS. | CODE | PIECES | DESCRIPTION |
|------|------|--------|-------------|
| | | | |
| | | | |
| | | | |
| | | | |
| | | | |
| | | | |
| | | | |
| | | | |
| | | | |
| | | | |
| | | | |
| | | | |
| | | | |
| | | | |
| | | | |
| | | | |



| POS. | CODE | PIECES | DESCRIPTION |
|------|-----------|--------|-----------------------------|
| 1 | R65070210 | 1 | CABINET THERMOSTAT 50/270°C |
| 2 | R65080020 | 1 | MAIN SELECTOR SWITCH |
| 3 | R65090200 | 1 | TIMER |
| 4 | R65260120 | 1 | SWITCH |
| 5 | R65260520 | 1 | HUMIDIFIER PUSH BUTTON |
| 6 | R65270220 | 2 | ORANGE INDICATING LIGHT |
| 7 | R65270230 | 1 | GREEN INDICATING LIGHT |
| 8 | R65340050 | 1 | THERMOMETER |
| 9 | R67012300 | 1 | LAINOX PLATE |
| 10 | R69030150 | 3 | KNOB KIT |
| 11 | R70040860 | 1 | CONTROL PANEL GASKET |
| 12 | R70050020 | 6 | KNOB GASKET |
| | | | |
| | | | |
| | | | |
| | | | |
| | | | |
| | | | |
| | | | |
| | | | |

| POS. | CODE | PIECES | DESCRIPTION |
|------|------|--------|-------------|
| | | | |
| | | | |
| | | | |
| | | | |
| | | | |
| | | | |
| | | | |
| | | | |
| | | | |
| | | | |
| | | | |
| | | | |
| | | | |
| | | | |
| | | | |
| | | | |
| | | | |
| | | | |
| | | | |
| | | | |
| | | | |
| | | | |