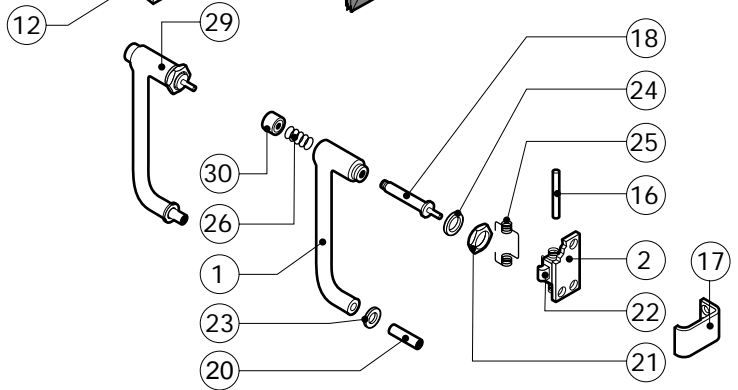
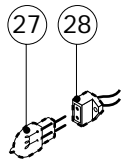
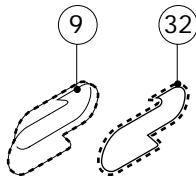
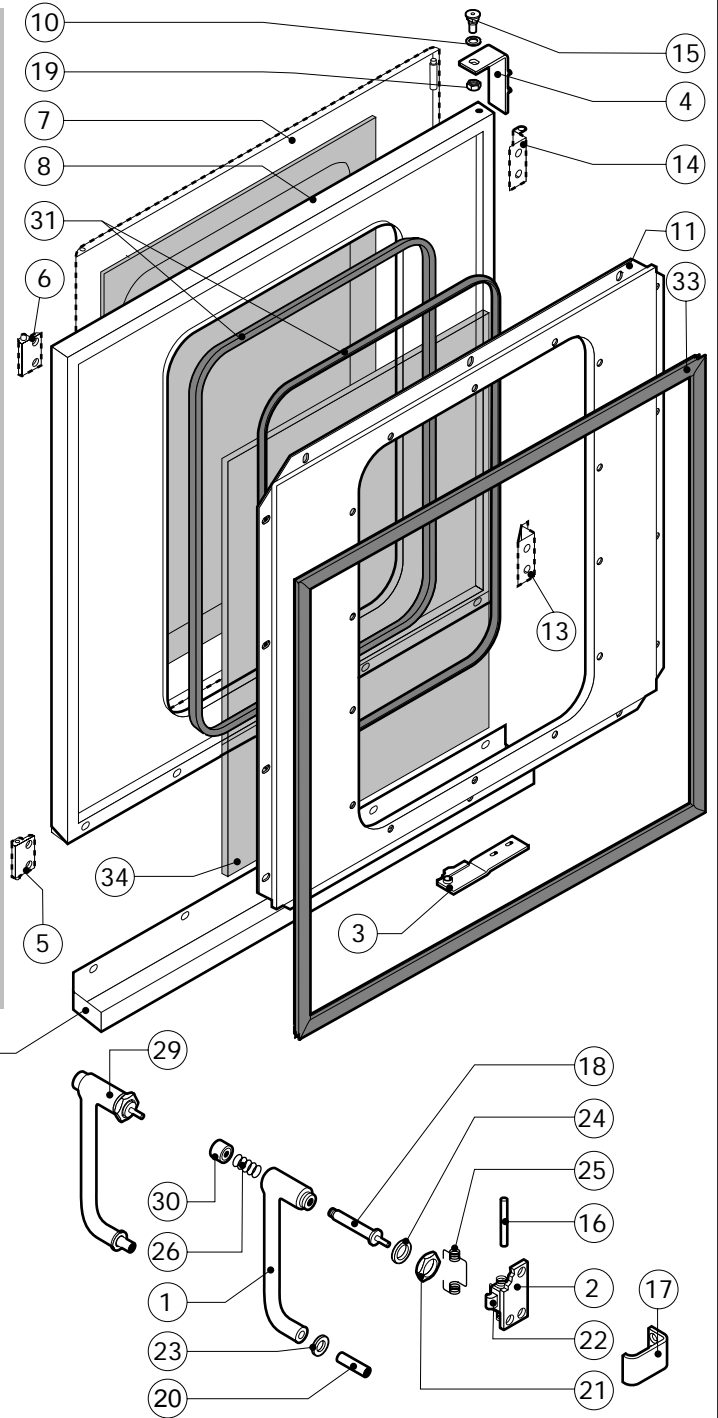
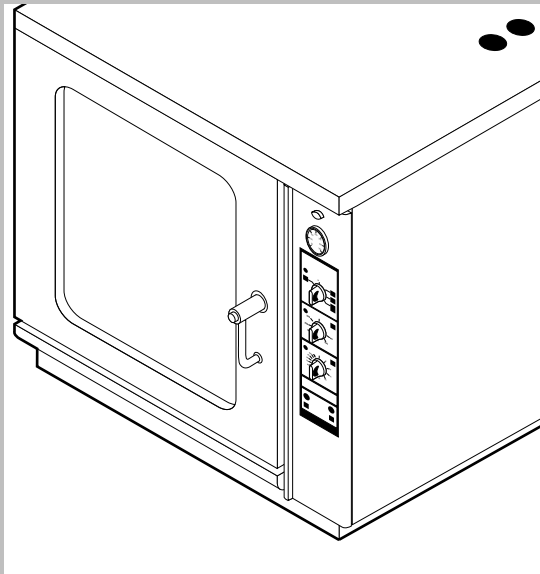


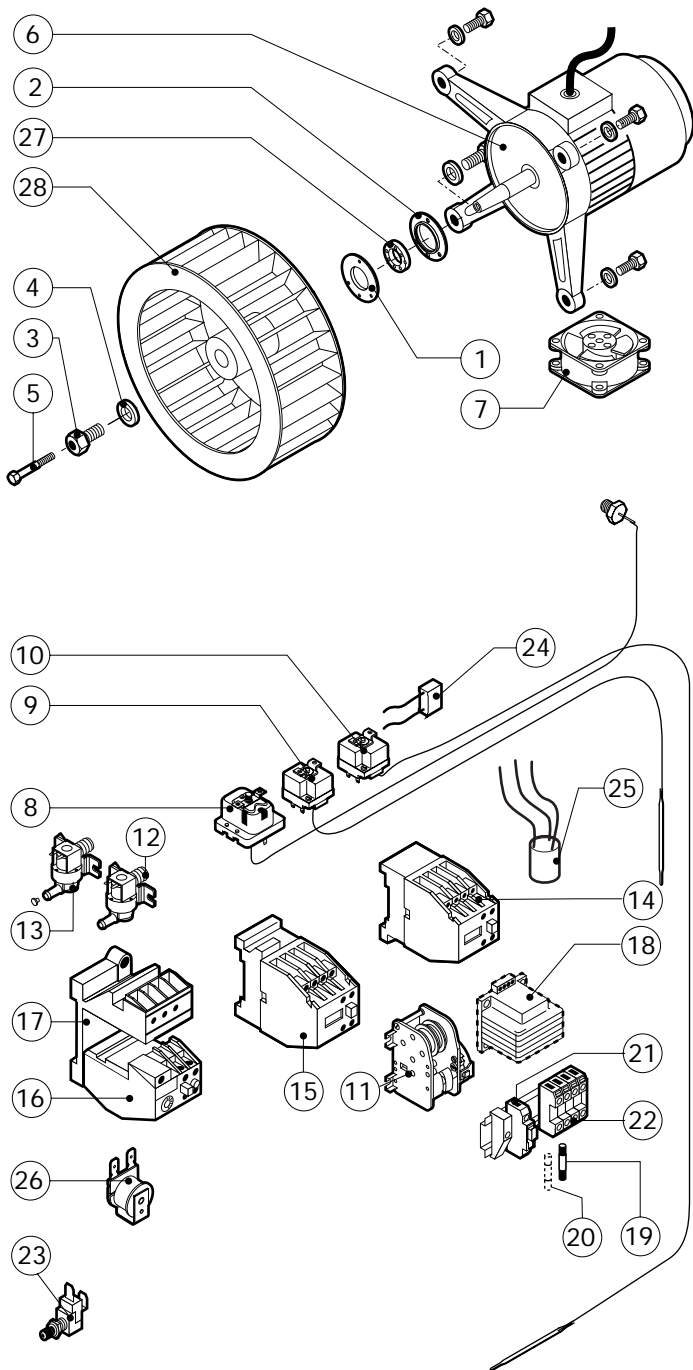
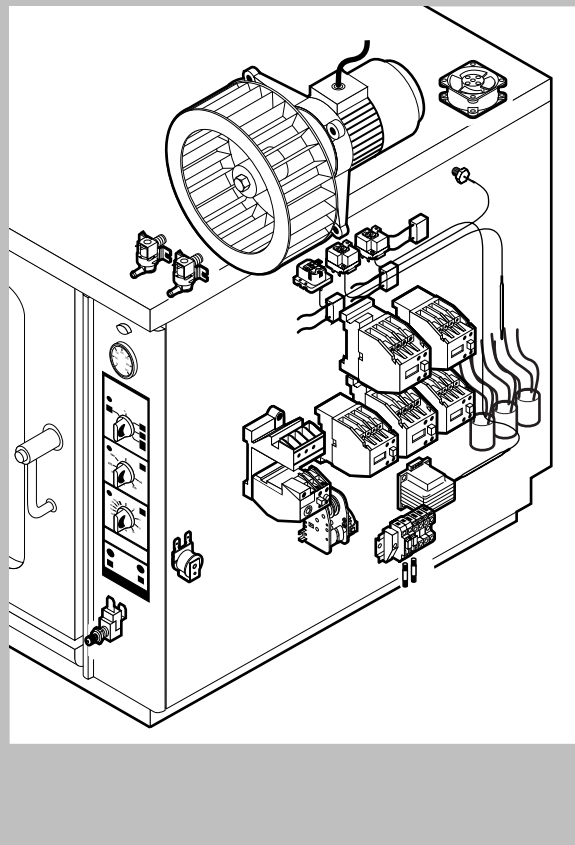
POS.	CODE	PIECES	DESCRIPTION
1	R10105080	1	DOOR ASSEMBLY
2	R10105090	1	DOOR ASSEMBLY WITH LIGHTS
3	R10105100	1	DOOR ASSEMBLY WITH COVER
4	R10105110	1	DOOR ASSEMBLY WITH LIGHTS AND COVER
5	R10206480	1	SPRITZER EXTENSION
6	R10206540	1	SPRITZER UNION
7	R10207271	1	FAN GUARD PANEL ASSEMBLY
8	R10207491	1	COOKING CABINET ASSEMBLY
9	R10212380	1	RIGHT SIDE PANEL
10	R10212390	1	LEFT SIDE PANEL
11	R10212400	1	REAR PANEL
12	R10212770	1	COVER PANEL
13	R10212870	1	CONTROL PANEL
14	R58003100	2	FAN GUARD FASTENING SCREW
15	R70043270	1	FRONT GASKET
16	R75300020	1	FAN GUARD GRID Ø 120
17	R75300090	1	FAN GUARD GRID Ø 350

POS.	CODE	PIECES	DESCRIPTION



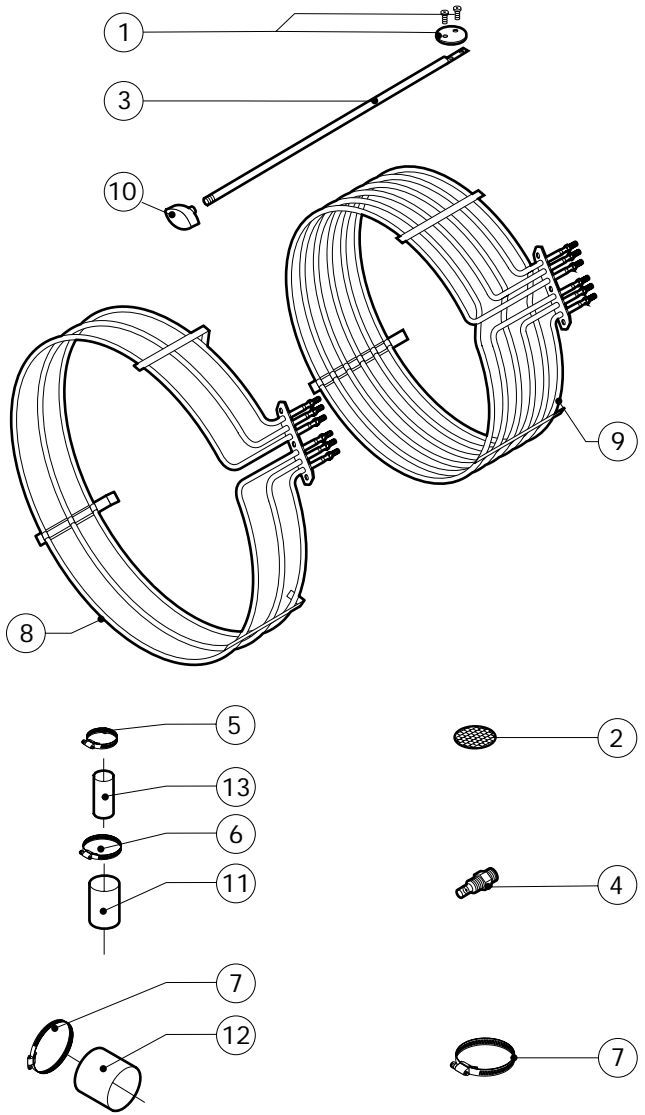
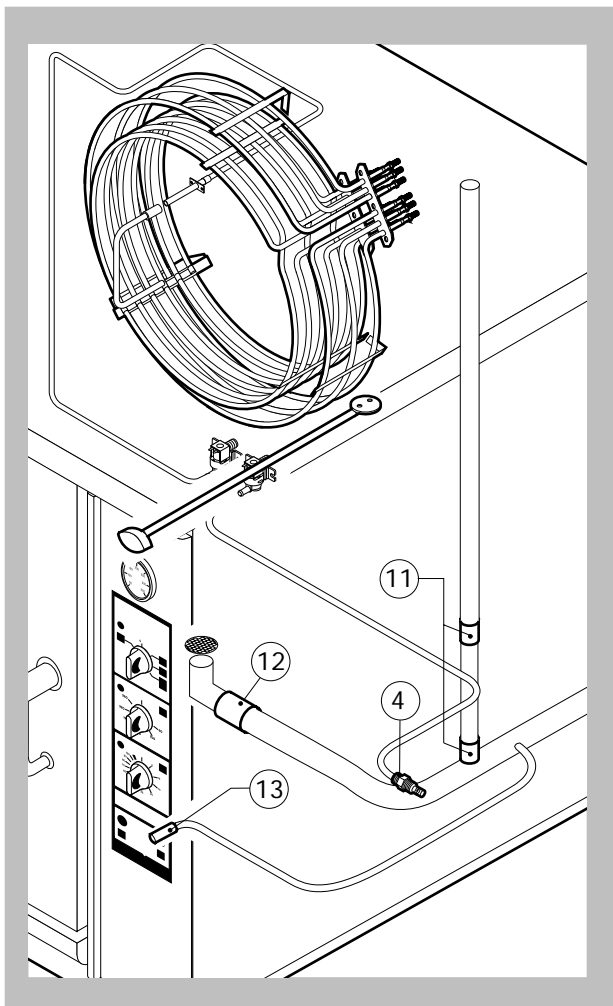
POS.	CODE	PIECES	DESCRIPTION
1	R09200230	1	DOOR HANDLE
2	R10100110	1	PRONG FLANGE
3	R10201190	1	LOWER DOOR HINGE
4	R10201290	1	UPPER DOOR HINGE
5	R10208290	1	FRONT LOWER DOOR PANEL CATCH
6	R10208300	1	FRONT UPPER DOOR PANEL CATCH
7	R10208330	1	FRONT DOOR PANEL
8	R10212240	1	DOOR
9	R10400150	2	LIGHT PROTECTION
10	R10401710	1	WASHER FOR UPPER DOOR HINGE
11	R10408130	1	INNER DOOR PANEL
12	R10442370	1	DOOR DRIP TRAY
13	R10456040	1	LOWER HINGE FOR FRONT DOOR PANEL
14	R10456050	1	UPPER HINGE FOR FRONT DOOR PANEL
15	R58002150	1	HINGE PIN
16	R58002160	1	DOOR HANDLE PRONG PIN
17	R58002760	1	DOOR HANDLE PRONG COUPLER
18	R58003240	1	DOOR HANDLE BUTTON ROD
19	R58004050	1	NUT FOR UPPER DOOR HINGE

POS.	CODE	PIECES	DESCRIPTION
20	R58004270	1	DOOR HANDLE SPACER
21	R58004830	1	RING NUT M18x1
22	R58005050	1	DOOR HANDLE PRONG
23	R58005340	1	DOOR HANDLE LOWER INSULATION WASHER
24	R58005350	1	DOOR HANDLE UPPER INSULATION WASHER
25	R61620012	1	DOOR HANDLE CATCH SPRING
26	R61620041	1	DOOR HANDLE BUTTON SPRING
27	R65270020	2	LIGHT 20W 12V G4
28	R65270400	2	LIGHT SOCKET
29	R69015000	1	DOOR HANDLE ASSEMBLY
30	R69031190	1	DOOR HANDLE PUSH BUTTON
31	R70040200	2	GLASS GASKET
32	R70040800	2	LIGHT PROTECTION GASKET
33	R70042030	1	DOOR GASKET
34	R71030120	1	DOOR GLASS



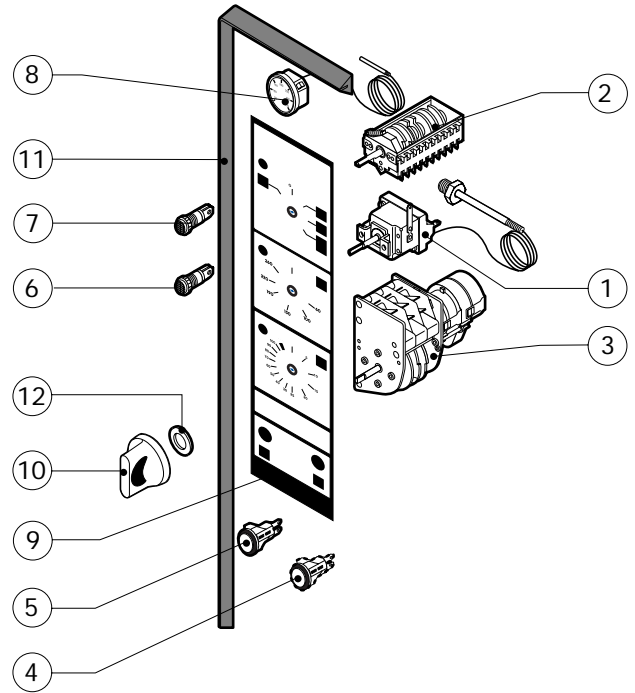
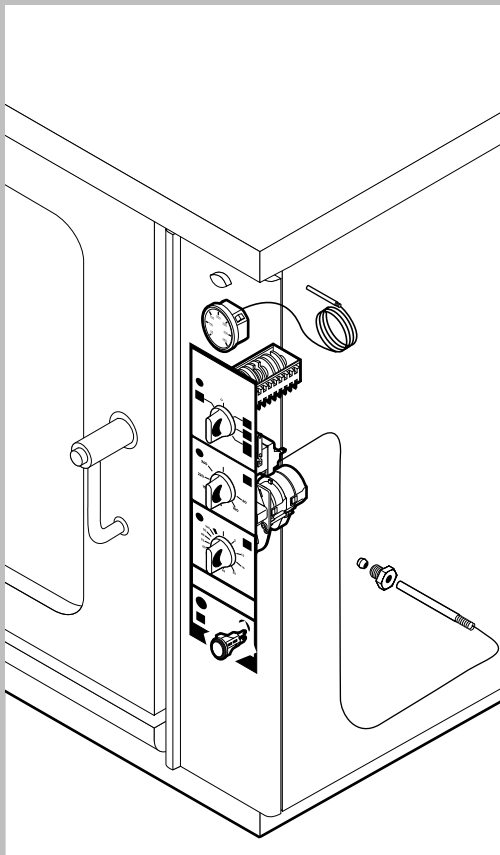
POS.	CODE	PIECES	DESCRIPTION
1	R58003840	1	MOTOR GASKET BRASS FLANGE
2	R58003850	1	MOTOR GASKET BRASS COUNTER FLANGE
3	R58004000	1	FAN SCREW M12x1.5 SX
4	R58004010	1	FAN WASHER Ø 30/12.5
5	R61020562	1	FAN SCREW TE A2 M6x55
6	R65040061	1	MOTOR HP 1 KIT
7	R65060050	1	COMPONENTS VENTILATION MOTOR Ø 120
8	R65070070	1	CHAMBER SAFETY THERMOSTAT
9	R65070165	1	THERMOSTAT 65°C
10	R65070240	1	THERMOSTAT 70°C
11	R65090190	1	REVERSING SWITCH 8"
12	R65110010	1	SOLENOID VALVE 220V 50HZ
13	R65115040	1	SOLENOID VALVE 220V 50HZ WITH FLOW REDUCER
14	R65140150	2	CONTACTOR 3TF4011-OAUO 240V
15	R65140240	4	CONTACTOR 3TF4211-OAUO 240V
16	R65160050	1	THERMIC SWITCH SUPPORT 3UX1418
17	R65160120	1	THERMIC PROTECTION 3UA5000-1C 1.6-2.5A
18	R65180430	1	TRANSFORMER 40VA
19	R65200200	1	FUSE 2A

POS.	CODE	PIECES	DESCRIPTION
20	R65200350	1	FUSE 0.4A (T)
21	R65210020	2	FUSE CARRIER
22	R65220130	1	TERMINAL BOARD
23	R65260540	1	DOOR SWITCH
24	R65280130	3	INTERFERENCE SUPPRESSOR
25	R65280200	3	INTERFERENCE SUPPRESSOR
26	R65330010	1	BUZZER
27	R70020050	1	MOTOR GASKET
28	R75400380	1	FAN Ø 350x120/24 50HZ P.D. KIT



POS.	CODE	PIECES	DESCRIPTION
1	R04403460	1	CHAMBER VENT PLATE Ø 46
2	R10201710	1	DRAIN FILTER
3	R58003480	1	CHAMBER VENT ROD
4	R58006080	1	STEAM QUENCHING NOZZLE Ø 2
5	R61630011	6	METAL CLAMPS 12-22/9
6	R61630021	2	METAL CLAMPS 30-45/9
7	R61630031	2	METAL CLAMPS 40-60/9
8	R65011250	1	CHAMBER HEATING ELEMENT 15000W
9	R65011310	1	CHAMBER HEATING ELEMENT 15000W
10	R69010410	1	STEAM OUTLET KNOB
11	R70060010	2	SILICON COUPLING Ø 30
12	R70060040	1	SILICON COUPLING Ø 50
13	R70060080	1	SILICON COUPLING Ø 13

POS.	CODE	PIECES	DESCRIPTION



POS.	CODE	PIECES	DESCRIPTION
1	R65070210	1	CABINET THERMOSTAT 50/270°C
2	R65080020	1	MAIN SELECTOR SWITCH
3	R65090200	1	TIMER
4	R65260120	1	SWITCH
5	R65260520	1	HUMIDIFIER PUSH BUTTON
6	R65270220	2	ORANGE INDICATING LIGHT
7	R65270230	1	GREEN INDICATING LIGHT
8	R65340050	1	THERMOMETER
9	R67012300	1	LAINOX PLATE
10	R69030150	3	KNOB KIT

POS.	CODE	PIECES	DESCRIPTION