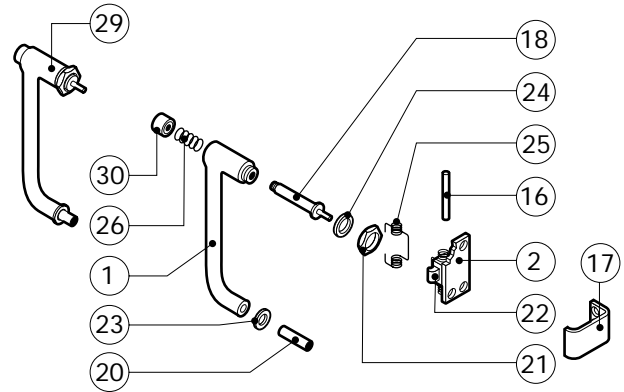
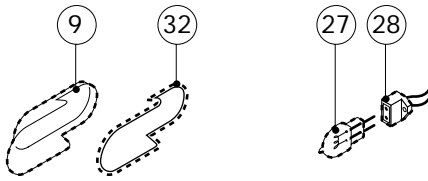
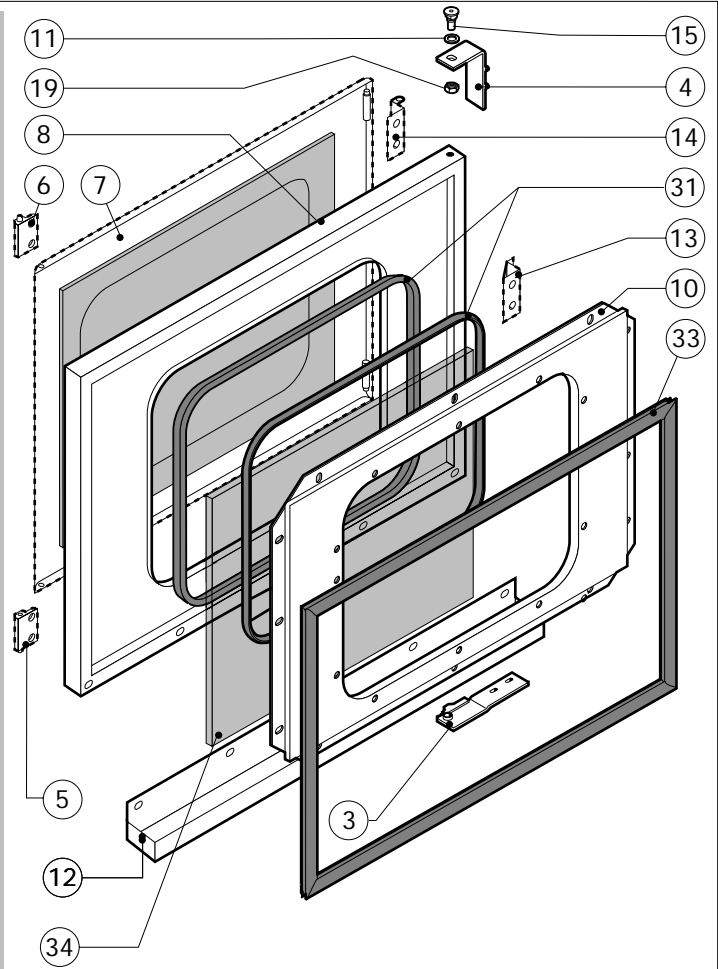
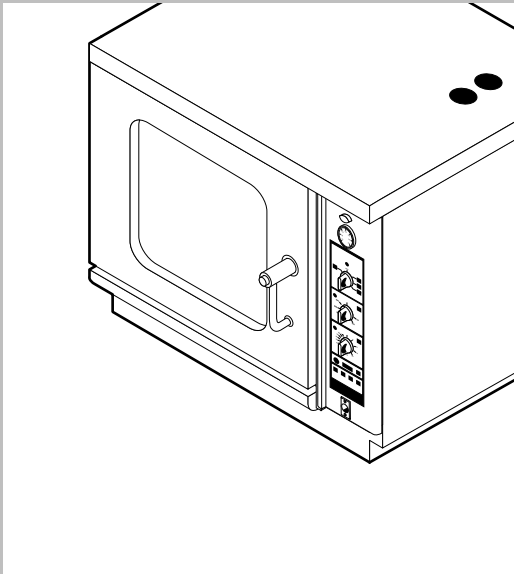


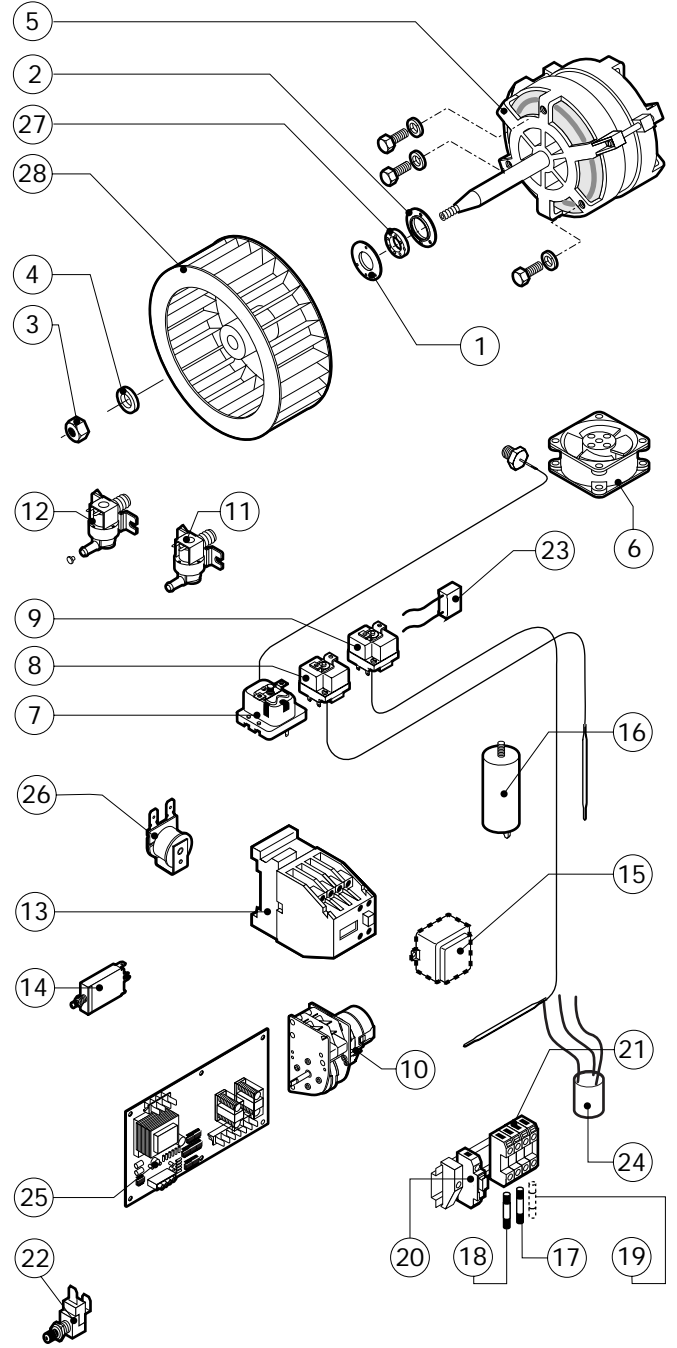
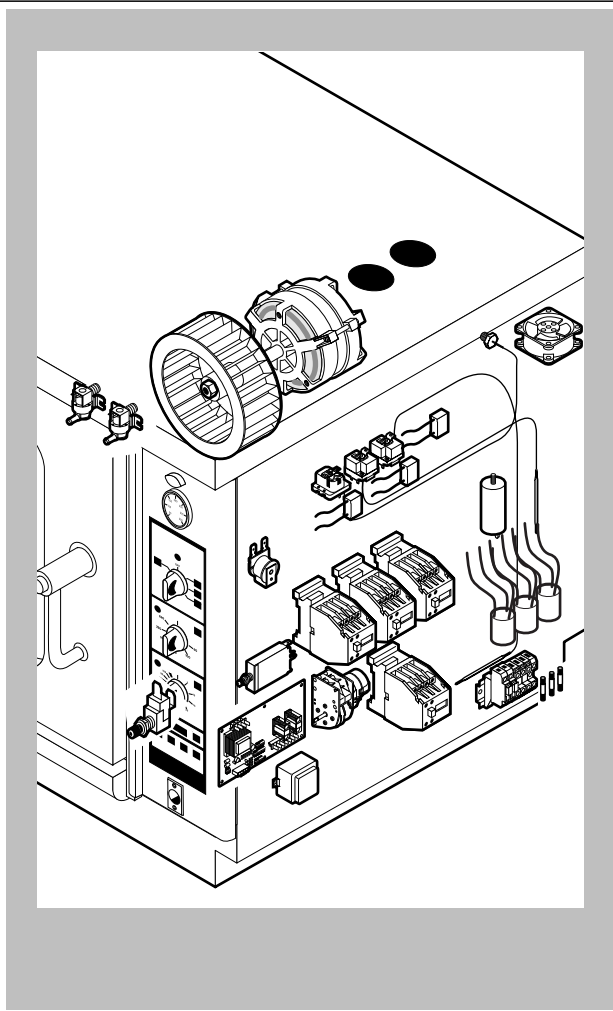
| POS. | CODE      | PIECES | DESCRIPTION                         |
|------|-----------|--------|-------------------------------------|
| 1    | R10105000 | 1      | DOOR ASSEMBLY                       |
| 2    | R10105010 | 1      | DOOR ASSEMBLY WITH LIGHTS           |
| 3    | R10105020 | 1      | DOOR ASSEMBLY WITH COVER            |
| 4    | R10105030 | 1      | DOOR ASSEMBLY WITH LIGHTS AND COVER |
| 5    | R10206470 | 1      | SPRITZER EXTENSION                  |
| 6    | R10206540 | 1      | SPRITZER UNION                      |
| 7    | R10207251 | 1      | FAN GUARD PANEL ASSEMBLY            |
| 8    | R10207451 | 1      | COOKING CABINET ASSEMBLY            |
| 9    | R10212320 | 1      | RIGHT SIDE PANEL                    |
| 10   | R10212330 | 1      | LEFT SIDE PANEL                     |
| 11   | R10212340 | 1      | REAR PANEL                          |
| 12   | R10212730 | 1      | COVER PANEL                         |
| 13   | R10212890 | 1      | CONTROL PANEL                       |
| 14   | R58003100 | 2      | FAN GUARD FASTENING SCREW           |
| 15   | R70043250 | 1      | FRONT GASKET                        |
| 16   | R75300020 | 1      | FAN GUARD GRID Ø 120                |
| 17   | R75300030 | 1      | FAN GUARD GRID Ø 190                |

| POS. | CODE | PIECES | DESCRIPTION |
|------|------|--------|-------------|
|      |      |        |             |
|      |      |        |             |
|      |      |        |             |
|      |      |        |             |
|      |      |        |             |
|      |      |        |             |
|      |      |        |             |
|      |      |        |             |
|      |      |        |             |
|      |      |        |             |
|      |      |        |             |
|      |      |        |             |
|      |      |        |             |
|      |      |        |             |
|      |      |        |             |
|      |      |        |             |
|      |      |        |             |
|      |      |        |             |
|      |      |        |             |
|      |      |        |             |
|      |      |        |             |
|      |      |        |             |



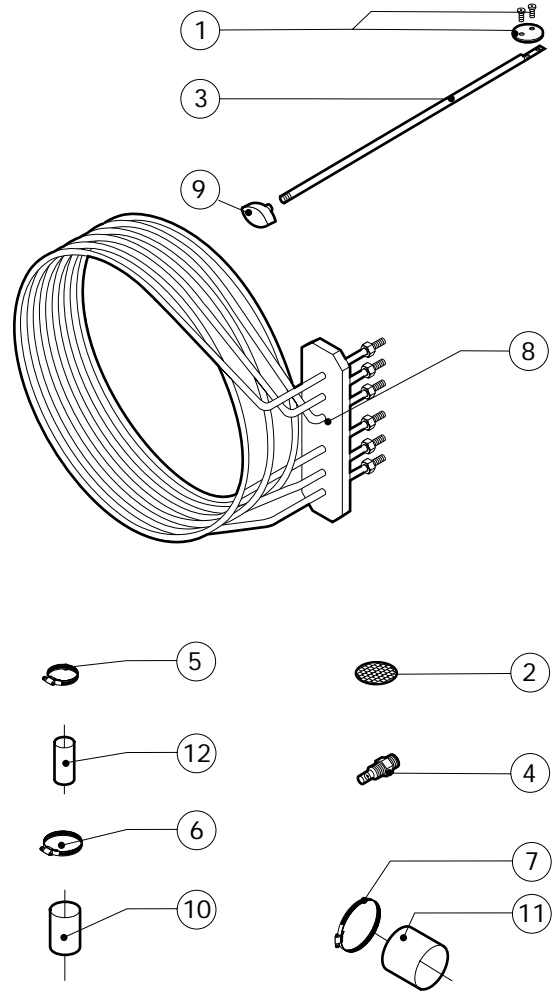
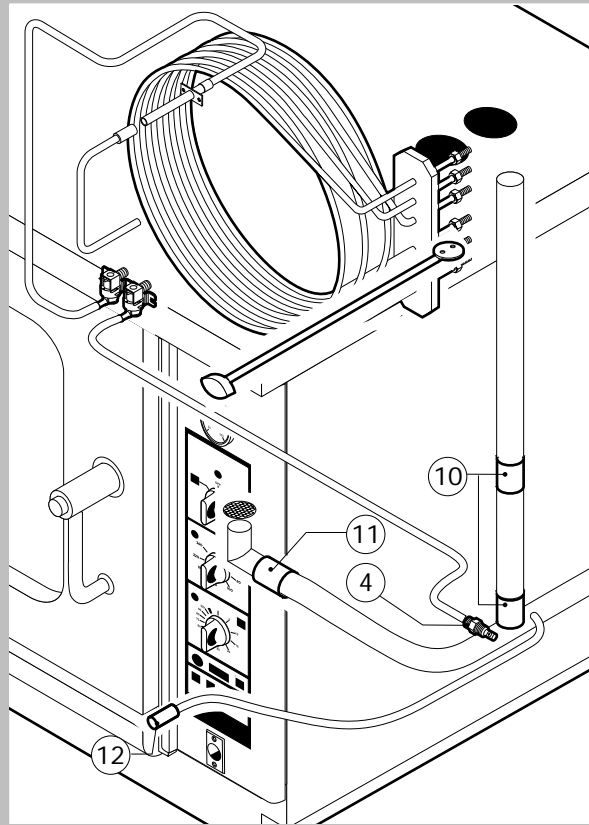
| POS. | CODE      | PIECES | DESCRIPTION                      |
|------|-----------|--------|----------------------------------|
| 1    | R09200230 | 1      | DOOR HANDLE                      |
| 2    | R10100110 | 1      | PRONG FLANGE                     |
| 3    | R10201190 | 1      | LOWER DOOR HINGE                 |
| 4    | R10201290 | 1      | UPPER DOOR HINGE                 |
| 5    | R10208290 | 1      | FRONT LOWER DOOR PANEL CATCH     |
| 6    | R10208300 | 1      | FRONT UPPER DOOR PANEL CATCH     |
| 7    | R10208310 | 1      | FRONT DOOR PANEL                 |
| 8    | R10212220 | 1      | DOOR                             |
| 9    | R10400150 | 1      | LIGHT PROTECTION                 |
| 10   | R10401320 | 1      | INNER DOOR PANEL                 |
| 11   | R10401710 | 1      | WASHER FOR UPPER DOOR HINGE      |
| 12   | R10441140 | 1      | DOOR DRIP TRAY                   |
| 13   | R10456040 | 1      | LOWER HINGE FOR FRONT DOOR PANEL |
| 14   | R10456050 | 1      | UPPER HINGE FOR FRONT DOOR PANEL |
| 15   | R58002150 | 1      | HINGE PIN                        |
| 16   | R58002160 | 1      | DOOR HANDLE PRONG PIN            |
| 17   | R58002760 | 1      | DOOR HANDLE PRONG COUPLER        |
| 18   | R58003240 | 1      | DOOR HANDLE BUTTON ROD           |
| 19   | R58004050 | 1      | NUT FOR UPPER DOOR HINGE         |

| POS. | CODE      | PIECES | DESCRIPTION                         |
|------|-----------|--------|-------------------------------------|
| 20   | R58004270 | 1      | DOOR HANDLE SPACER                  |
| 21   | R58004830 | 1      | RING NUT M18x1                      |
| 22   | R58005050 | 1      | DOOR HANDLE PRONG                   |
| 23   | R58005340 | 1      | DOOR HANDLE LOWER INSULATION WASHER |
| 24   | R58005350 | 1      | DOOR HANDLE UPPER INSULATION WASHER |
| 25   | R61620012 | 1      | DOOR HANDLE CATCH SPRING            |
| 26   | R61620041 | 1      | DOOR HANDLE BUTTON SPRING           |
| 27   | R65270020 | 1      | LIGHT 20W 12V G4                    |
| 28   | R65270400 | 1      | LIGHT SOCKET                        |
| 29   | R69015000 | 1      | DOOR HANDLE ASSEMBLY                |
| 30   | R69031190 | 1      | DOOR HANDLE PUSH BUTTON             |
| 31   | R70040080 | 2      | GLASS GASKET                        |
| 32   | R70040800 | 1      | LIGHT PROTECTION GASKET             |
| 33   | R70042010 | 1      | DOOR GASKET                         |
| 34   | R71030060 | 1      | DOOR GLASS                          |



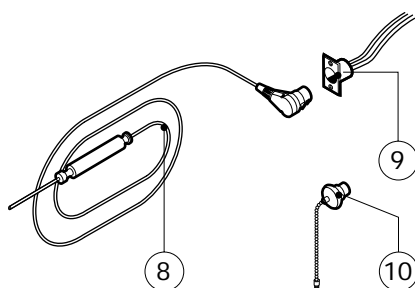
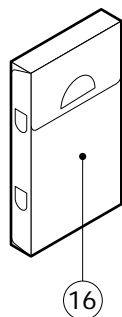
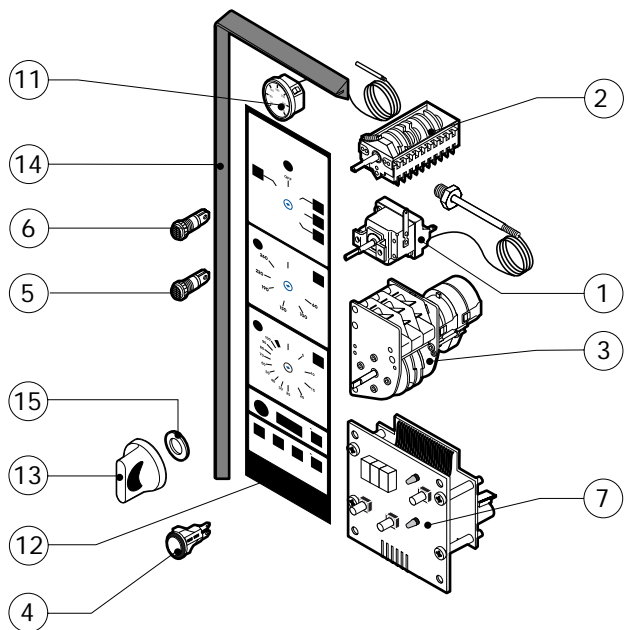
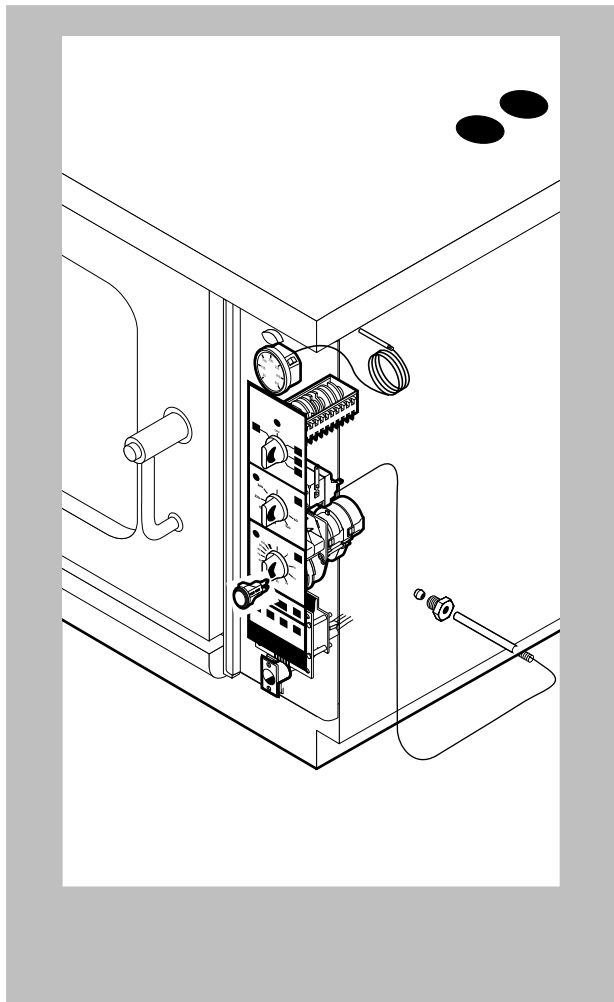
| POS. | CODE      | PIECES | DESCRIPTION                                |
|------|-----------|--------|--|
| 1    | R58003860 | 1      | MOTOR GASKET BRASS FLANGE                  |
| 2    | R58003870 | 1      | MOTOR GASKET BRASS COUNTER FLANGE          |
| 3    | R58004020 | 1      | FAN SECURITY NUT M10 SX                    |
| 4    | R61400052 | 1      | FAN WASHER Ø 21/10.5                       |
| 5    | R65040420 | 1      | MOTOR KW 0.37 KIT                          |
| 6    | R65060050 | 1      | COMPONENTS VENTILATION MOTOR Ø 120         |
| 7    | R65070070 | 1      | CHAMBER SAFETY THERMOSTAT                  |
| 8    | R65070165 | 1      | THERMOSTAT 65°C                            |
| 9    | R65070240 | 1      | THERMOSTAT 70°C                            |
| 10   | R65090190 | 1      | REVERSING SWITCH 8'                        |
| 11   | R65110010 | 1      | SOLENOID VALVE 220V 50HZ                   |
| 12   | R65115120 | 1      | SOLENOID VALVE 220V 50HZ WITH FLOW REDUCER |
| 13   | R65140150 | 4      | CONTACTOR 3TF4011-OAUO 240V                |
| 14   | R65160310 | 1      | THERMIC PROTECTION T12-211S-2.5A           |
| 15   | R65180420 | 1      | TRANSFORMER 20VA                           |
| 16   | R65190180 | 1      | CAPACITOR 10 µF                            |
| 17   | R65200086 | 1      | FUSE 0.125A (T)                            |
| 18   | R65200200 | 1      | FUSE 2A                                    |
| 19   | R65200320 | 1      | FUSE 0.2A (T)                              |

| POS. | CODE      | PIECES | DESCRIPTION                   |
|------|-----------|--------|-------------------------------|
| 20   | R65210020 | 3      | FUSE CARRIER                  |
| 21   | R65220090 | 1      | TERMINAL BOARD                |
| 22   | R65260540 | 1      | DOOR SWITCH                   |
| 23   | R65280130 | 3      | INTERFERENCE SUPPRESSOR       |
| 24   | R65280200 | 3      | INTERFERENCE SUPPRESSOR       |
| 25   | R65300490 | 1      | RELAYS P.C. BOARD             |
| 26   | R65330010 | 1      | BUZZER                        |
| 27   | R70020040 | 1      | MOTOR GASKET                  |
| 28   | R75400400 | 1      | FAN Ø 220x78/12 50HZ P.D. KIT |
|      |           |        |                               |
|      |           |        |                               |
|      |           |        |                               |
|      |           |        |                               |
|      |           |        |                               |
|      |           |        |                               |
|      |           |        |                               |
|      |           |        |                               |
|      |           |        |                               |



| POS. | CODE      | PIECES | DESCRIPTION                   |
|------|-----------|--------|-------------------------------|
| 1    | R04403460 | 1      | CHAMBER VENT PLATE Ø 46       |
| 2    | R10201700 | 1      | DRAIN FILTER                  |
| 3    | R58003460 | 1      | CHAMBER VENT ROD              |
| 4    | R58006090 | 1      | STEAM QUENCHING NOZZLE Ø 1    |
| 5    | R61630011 | 6      | METAL CLAMPS 12-22/9          |
| 6    | R61630021 | 2      | METAL CLAMPS 30-45/9          |
| 7    | R61630031 | 2      | METAL CLAMPS 40-60/9          |
| 8    | R65011540 | 1      | CHAMBER HEATING ELEMENT 7500W |
| 9    | R69010410 | 1      | STEAM OUTLET KNOB             |
| 10   | R70060010 | 2      | SILICON COUPLING Ø 30         |
| 11   | R70060040 | 1      | SILICON COUPLING Ø 50         |
| 12   | R70060080 | 1      | SILICON COUPLING Ø 13         |
|      |           |        |                               |
|      |           |        |                               |
|      |           |        |                               |
|      |           |        |                               |
|      |           |        |                               |
|      |           |        |                               |
|      |           |        |                               |
|      |           |        |                               |
|      |           |        |                               |

| POS. | CODE | PIECES | DESCRIPTION |
|------|------|--------|-------------|
|      |      |        |             |
|      |      |        |             |
|      |      |        |             |
|      |      |        |             |
|      |      |        |             |
|      |      |        |             |
|      |      |        |             |
|      |      |        |             |
|      |      |        |             |
|      |      |        |             |
|      |      |        |             |
|      |      |        |             |
|      |      |        |             |
|      |      |        |             |
|      |      |        |             |
|      |      |        |             |
|      |      |        |             |
|      |      |        |             |
|      |      |        |             |
|      |      |        |             |
|      |      |        |             |



| POS. | CODE      | PIECES | DESCRIPTION                             |
|------|-----------|--------|---|
| 1    | R65070210 | 1      | CABINET THERMOSTAT 50/270°C             |
| 2    | R65080020 | 1      | MAIN SELECTOR SWITCH                    |
| 3    | R65090200 | 1      | TIMER                                   |
| 4    | R65260520 | 1      | HUMIDIFIER PUSH BUTTON                  |
| 5    | R65270220 | 2      | ORANGE INDICATING LIGHT                 |
| 6    | R65270230 | 1      | GREEN INDICATING LIGHT                  |
| 7    | R65300540 | 1      | CONTROL PANEL P.C. BOARD                |
| 8    | R65320900 | 1      | CORE TEMPERATURE PROBE                  |
| 9    | R65320920 | 1      | CORE TEMPERATURE PROBE FEMALE CONNECTOR |
| 10   | R65321020 | 1      | COVER FOR FEMALE CONNECTOR              |
| 11   | R65340050 | 1      | THERMOMETER                             |
| 12   | R67012310 | 1      | LAINOX PLATE                            |
| 13   | R69030150 | 3      | KNOB KIT                                |
| 14   | R70040830 | 1      | CONTROL PANEL GASKET                    |
| 15   | R70050020 | 6      | KNOB GASKET                             |
| 16   | R86020420 | 1      | CORE TEMPERATURE PROBE BOX              |
|      |           |        |   |
|      |           |        |   |
|      |           |        |   |
|      |           |        |   |

| POS. | CODE | PIECES | DESCRIPTION |
|------|------|--------|-------------|
|      |      |        |             |
|      |      |        |             |
|      |      |        |             |
|      |      |        |             |
|      |      |        |             |
|      |      |        |             |
|      |      |        |             |
|      |      |        |             |
|      |      |        |             |
|      |      |        |             |
|      |      |        |             |
|      |      |        |             |
|      |      |        |             |
|      |      |        |             |
|      |      |        |             |
|      |      |        |             |
|      |      |        |             |
|      |      |        |             |
|      |      |        |             |
|      |      |        |             |