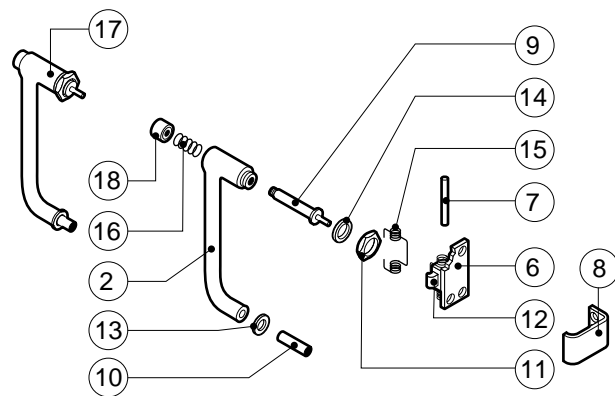
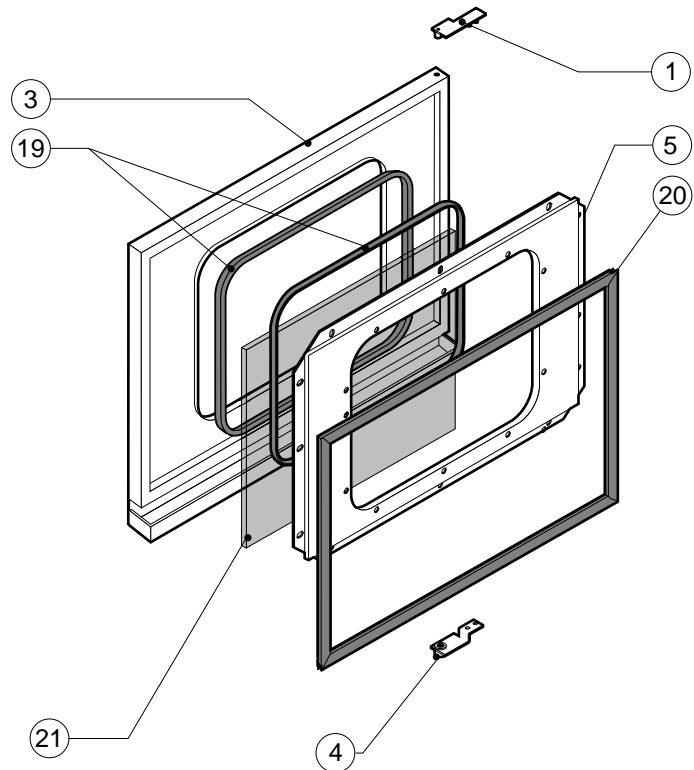
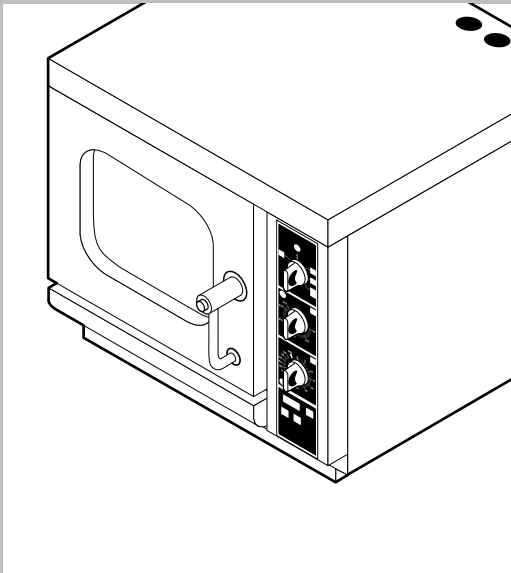


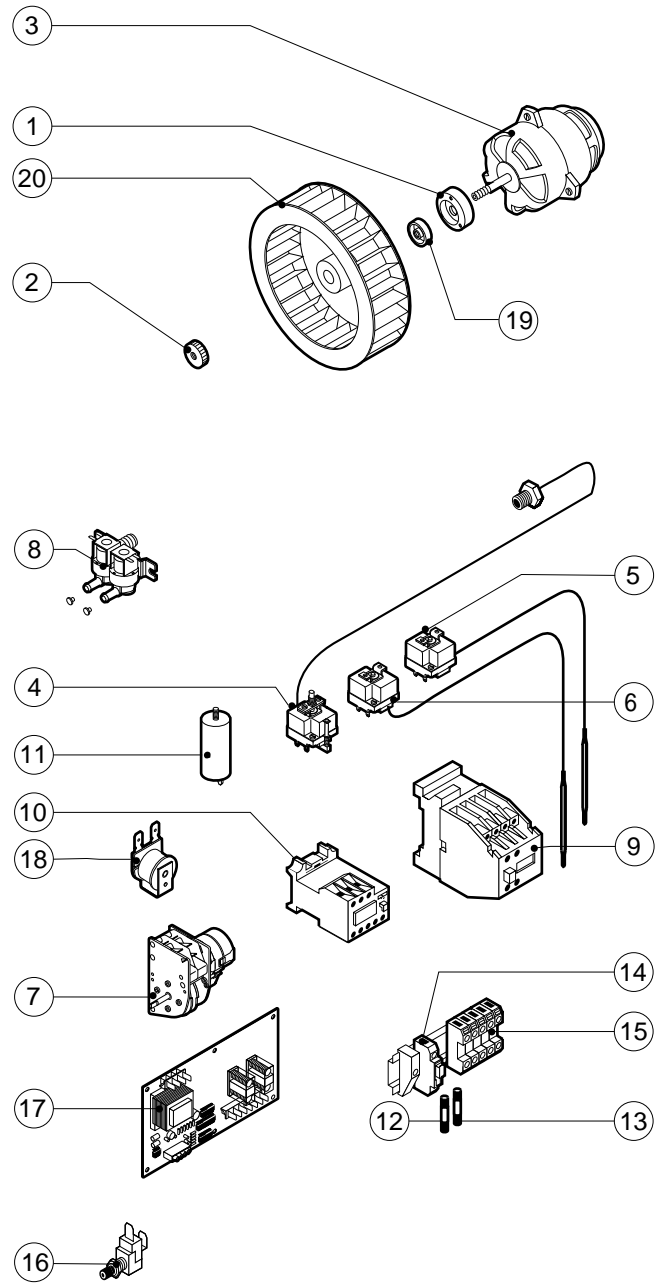
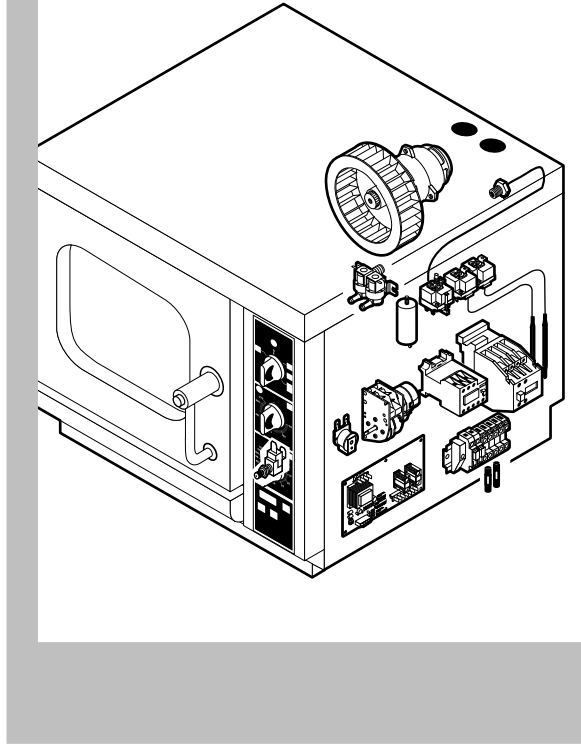
POS.	CODE	PIECES	DESCRIPTION
1	R09100100	1	DOOR ASSEMBLY
2	R09101140	1	CONTROL PANEL WITH PLATE
3	R09200210	1	LEFT SIDE PANEL
4	R09200220	1	REAR PANEL
5	R09200240	1	RIGHT SIDE PANEL
6	R09204870	1	COOKING CABINET ASSEMBLY
7	R09204950	1	COVER PANEL
8	R09204990	1	HUMIDIFIER PIPE
9	R09402120	1	FAN GUARD PANEL ASSEMBLY
10	R58006400	1	FAN GUARD FASTENING SCREW
11	R75300030	1	FAN GUARD GRID Ø 190

POS.	CODE	PIECES	DESCRIPTION



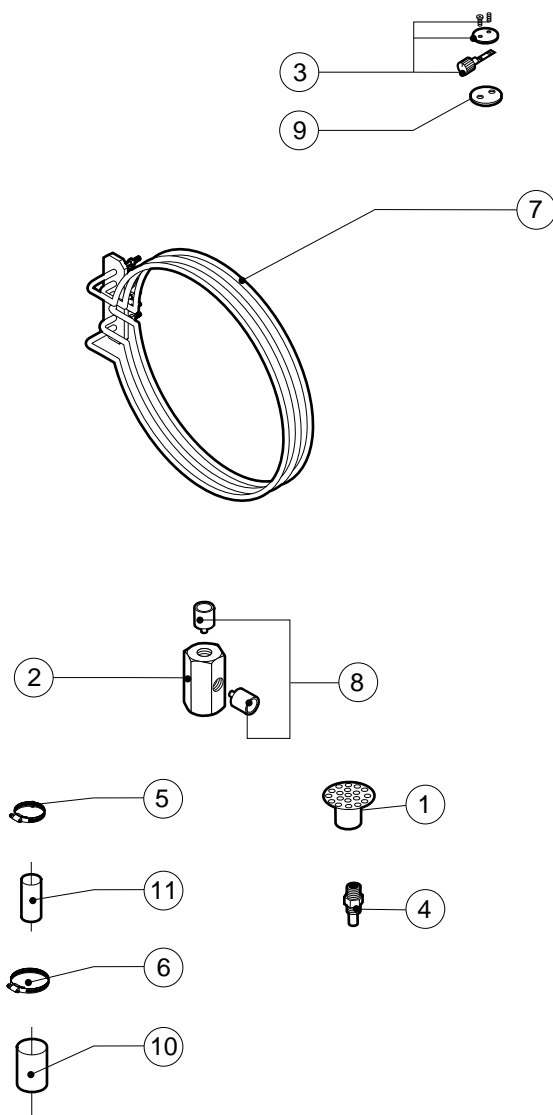
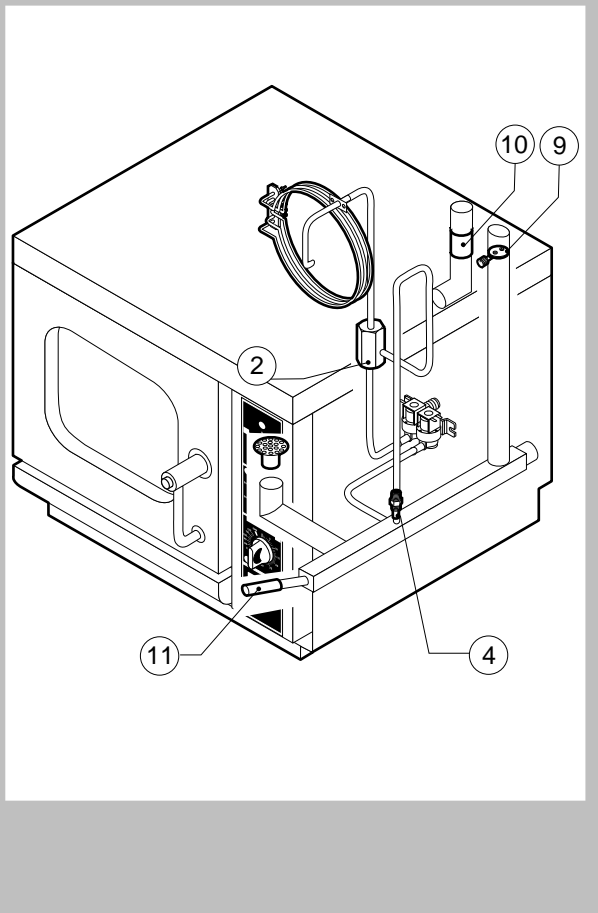
POS.	CODE	PIECES	DESCRIPTION
1	R09200090	1	UPPER DOOR HINGE
2	R09200230	1	DOOR HANDLE
3	R09200350	1	DOOR
4	R09200370	1	LOWER DOOR HINGE
5	R09401330	1	INNER DOOR PANEL
6	R10100100	1	PRONG FLANGE
7	R58002160	1	DOOR HANDLE PRONG PIN
8	R58002750	1	DOOR HANDLE PRONG COUPLER
9	R58003230	1	DOOR HANDLE BUTTON ROD
10	R58004270	1	DOOR HANDLE SPACER
11	R58004830	1	RING NUT M18x1
12	R58005050	1	DOOR HANDLE PRONG
13	R58005340	1	DOOR HANDLE LOWER INSULATION WASHER
14	R58005350	1	DOOR HANDLE UPPER INSULATION WASHER
15	R61620012	1	DOOR HANDLE CATCH SPRING
16	R61620041	1	DOOR HANDLE BUTTON SPRING
17	R69015010	1	DOOR HANDLE ASSEMBLY
18	R69031190	1	DOOR HANDLE PUSH BUTTON
19	R70040060	2	GLASS GASKET

POS.	CODE	PIECES	DESCRIPTION
20	R70042070	1	DOOR GASKET
21	R71020010	1	DOOR GLASS



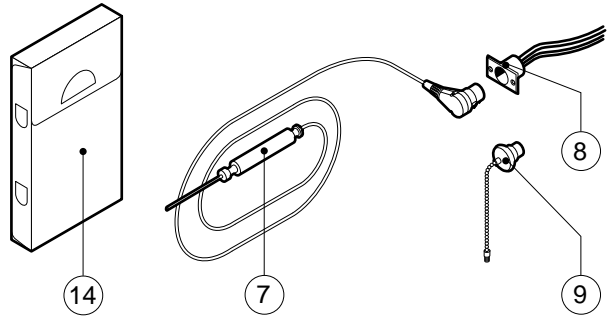
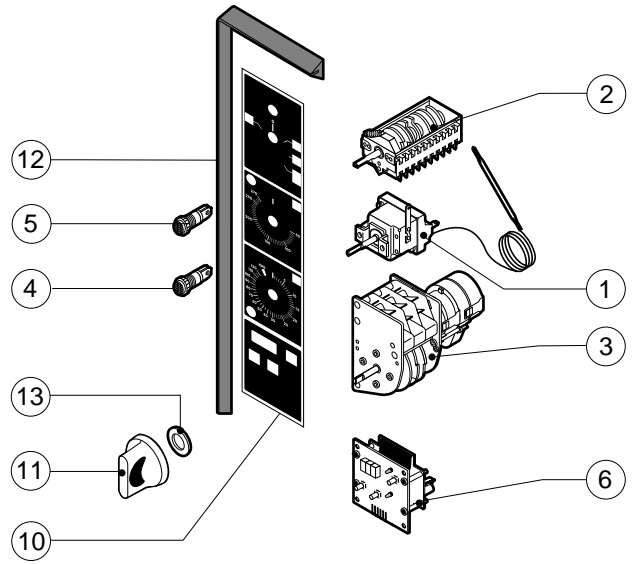
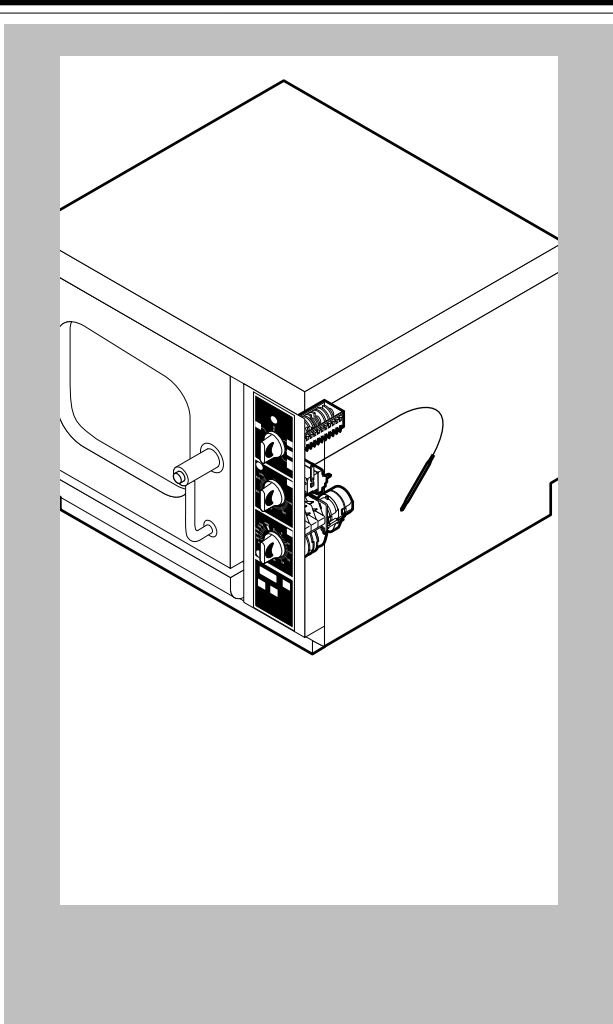
POS.	CODE	PIECES	DESCRIPTION
1	R58005510	1	MOTOR GASKET BRASS FLANGE
2	R58006420	1	FAN SECURITY NUT M6 SX
3	R65040101	1	MOTOR HP 0.06 KIT
4	R65070050	1	CHAMBER SAFETY THERMOSTAT
5	R65070165	1	THERMOSTAT 65°C
6	R65070240	1	THERMOSTAT 70°C
7	R65090180	1	REVERSING SWITCH 8'
8	R65115110	1	SOLENOID VALVE 220V 60HZ WITH FLOW REDUCER
9	R65140240	1	CONTACTOR 3TF4211-OAN2 220V
10	R65160150	1	THERMIC PROTECTION 3UA7010-0E 0.25-0.4A
11	R65190080	1	CAPACITOR 4 µF
12	R65200120	1	FUSE 0.1A (T)
13	R65200200	1	FUSE 2A
14	R65210020	2	FUSE CARRIER
15	R65220090	1	TERMINAL BOARD
16	R65260530	1	DOOR SWITCH
17	R65300550	1	RELAYS P.C. BOARD
18	R65330010	1	BUZZER
19	R70020010	1	MOTOR GASKET

POS.	CODE	PIECES	DESCRIPTION
20	R75400040	1	FAN Ø 155x38/20 P.D. KIT



POS.	CODE	PIECES	DESCRIPTION
1	R09200100	1	DRAIN FILTER
2	R58003390	1	PRESSURE SWITCH BRASS PIPE FITTING
3	R58005190	1	STEAM OUTLET KNOB
4	R58006090	1	STEAM QUENCHING NOZZLE Ø 1
5	R61630011	6	METAL CLAMPS 12-22/9
6	R61630021	4	METAL CLAMPS 30-45/9
7	R65010420	1	CHAMBER HEATING ELEMENT 3900W
8	R65110420	2	WATER FLOW-REDUCER
9	R70050010	1	STEAM OUTLET GASKET
10	R70060010	1	SILICON COUPLING Ø 30
11	R70060060	1	SILICON COUPLING Ø 15

POS.	CODE	PIECES	DESCRIPTION



POS.	CODE	PIECES	DESCRIPTION
1	R65070210	1	CABINET THERMOSTAT 50/270°C
2	R65080020	1	MAIN SELECTOR SWITCH
3	R65090200	1	TIMER
4	R65270220	2	ORANGE INDICATING LIGHT
5	R65270230	1	GREEN INDICATING LIGHT
6	R65300530	1	CONTROL PANEL P.C. BOARD
7	R65320900	1	CORE TEMPERATURE PROBE
8	R65320920	1	CORE TEMPERATURE PROBE FEMALE CONNECTOR
9	R65321020	1	COVER FOR FEMALE CONNECTOR
10	R67200440	1	CLEVELAND PLATE
11	R69030080	3	KNOB KIT
12	R70040920	1	CONTROL PANEL GASKET
13	R70050020	6	KNOB GASKET
14	R86020420	1	CORE TEMPERATURE PROBE BOX

POS.	CODE	PIECES	DESCRIPTION