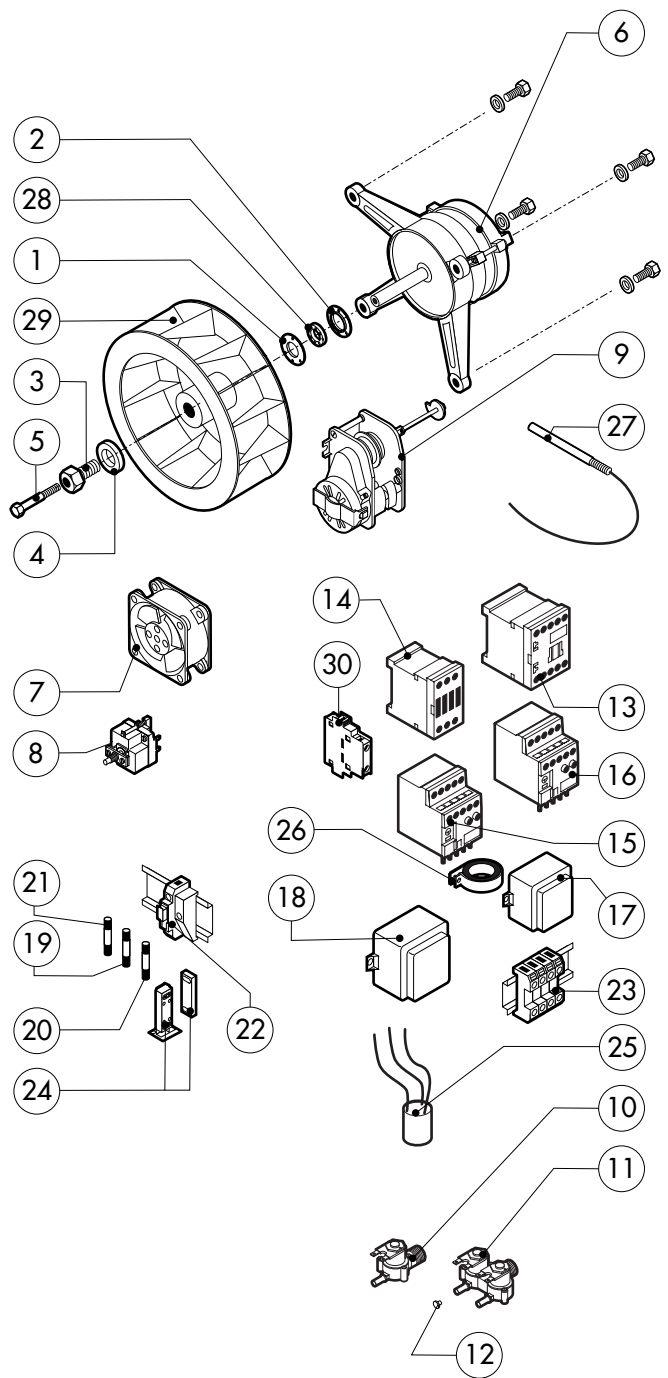
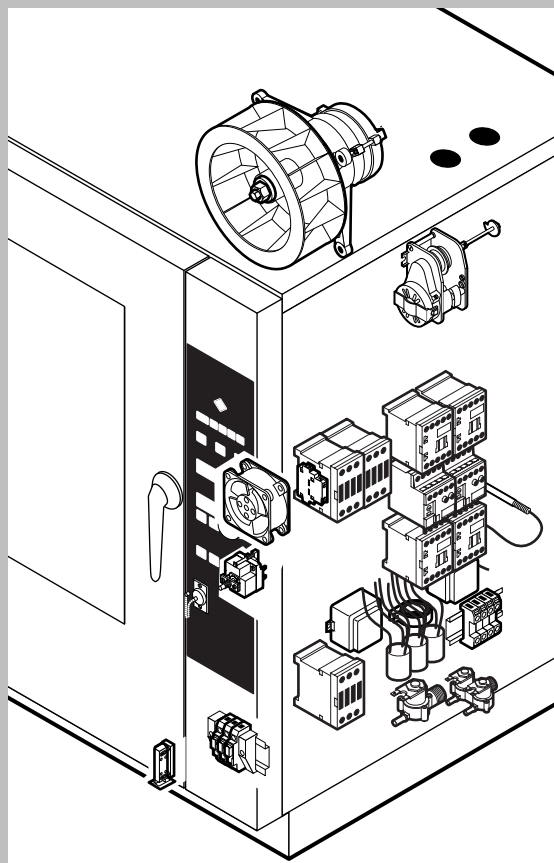


| POS. | CODE | PIECES | DESCRIPTION |
|------|-----------|--------|--|
| 1 | R11101360 | 1 | DOOR UNTIL CRXXXXXX0 |
| | R11101450 | 1 | DOOR FROM CRXXXXXX1 |
| 2 | R11207360 | 1 | INNER DOOR PANEL UNTIL CRXXXXXX0 |
| | R11202160 | 1 | INNER DOOR PANEL FROM CRXXXXXX1 |
| 3 | R11100140 | 1 | INNER DOOR GLASS |
| 4 | R69180000 | 1 | DOOR DRIP TRAY DRAINAGE FROM CRXXXXXX1 |
| 5 | R58001760 | 2 | INNER GLASS SOLID HINGE |
| 6 | R58001770 | 2 | INNER GLASS HINGE PIN |
| 7 | R58001780 | 2 | INNER GLASS CATCH KIT |
| 8 | R11401340 | 1 | TOP "C" PROFILE |
| 9 | R11401360 | 1 | LOWER "C" PROFILE |
| 10 | R11207250 | 1 | LOWER DOOR HINGE UNTIL CRXXXXXX0 |
| | R11207240 | 1 | LOWER DOOR HINGE FROM CRXXXXXX1 |
| 11 | R58002520 | 1 | LOWER HINGE PIN UNTIL CRXXXXXX0 |
| | R58002670 | 1 | LOWER HINGE PIN FROM CRXXXXXX1 |
| 12 | R11200560 | 1 | UPPER DOOR HINGE |
| 13 | R58002150 | 1 | HINGE PIN |
| 14 | R58004050 | 2 | NUT FOR UPPER DOOR HINGE |
| 15 | R10401710 | 1 | WASHER FOR UPPER DOOR HINGE |

| POS. | CODE | PIECES | DESCRIPTION |
|------|-----------|--------|--------------------------------|
| 16 | R70050100 | 6 | GLASS SILICON SPACERS |
| 17 | R70044150 | 1 | GLASS GASKET |
| 18 | R66110320 | 1 | DOOR LAMPS CABLE SET |
| 19 | R11401440 | 2 | LAMP COVER |
| 20 | R71500150 | 2 | GLASS LAMP |
| 21 | R70044200 | 2 | LAMP GASKET |
| 22 | R11401450 | 2 | GLASS HOLDER LAMP FLANGE |
| 23 | R65270020 | 2 | LIGHT 20W 12V G4 |
| 24 | R65270450 | 2 | LIGHT SOCKET |
| 25 | R65260750 | 1 | LAMPS CONTACT BLOCK |
| 26 | R66110300 | 1 | LAMPS CONTACT CABLE SET |
| 27 | R11100300 | 1 | DOOR HANDLE ASSEMBLY |
| 28 | R69010260 | 1 | DOOR LATCH 1 STEP |
| 29 | R69010270 | 1 | DOOR LATCH 2 STEP |
| 30 | R69010250 | 1 | DOOR CATCH KIT |
| 31 | R69010630 | 1 | INNER DOOR CATCH PLASTIC COVER |
| 32 | R61620132 | 1 | PRONG FLANGE |



| POS. | CODE | PIECES | DESCRIPTION |
|------|------------|--------|--|
| 1 | R58003840 | 1 | MOTOR GASKET BRASS FLANGE |
| 2 | R58003850 | 1 | MOTOR GASKET BRASS COUNTER FLANGE |
| 3 | R58004000 | 1 | FAN SCREW M12x1.5 SX |
| 4 | R58004010 | 1 | FAN WASHER Ø 30/12.5 |
| 5 | R61020562 | 1 | FAN SCREW TE A2 M6x55 |
| 6 | *R65040520 | 1 | MOTOR 055/015 KW KIT |
| 7 | R65060050 | 2 | COMPONENTS VENTILATION MOTOR Ø 120 |
| 8 | R65070350 | 1 | CHAMBER SAFETY THERMOSTAT |
| 9 | R65095000 | 1 | DAMPER SYSTEM |
| 10 | R65110200 | 1 | SOLENOID VALVE 220V 50HZ |
| 11 | R65110230 | 1 | SOLENOID VALVE 220V 50HZ |
| 12 | R65110510 | 1 | 15 LT/H WATER FLOW REDUCER |
| 13 | *R65140380 | 4 | CONTACTOR 3RT1016-1AP02 240V |
| 14 | *R65140400 | 3 | CONTACTOR 3RT1025-1AL20 240V |
| 15 | *R65160570 | 1 | THERMIC PROTECTION 3RU1116-0JB0 0,7-1A |
| 16 | *R65160620 | 1 | THERMIC PROTECTION 3RU1116-1BB0 1,4-2,0A |
| 17 | R65180420 | 1 | TRANSFORMER 20VA |
| 18 | R65180430 | 1 | TRANSFORMER 40VA |
| 19 | R65200086 | 1 | FUSE 0.125A (T) |

| POS. | CODE | PIECES | DESCRIPTION |
|------|------------|--------|---------------------------------|
| 20 | R65200200 | 1 | FUSE 2A |
| 21 | R65200040 | 1 | FUSE 0.2A (T) |
| 22 | R65210020 | 3 | FUSE CARRIER |
| 23 | R65220080 | 1 | TERMINAL BOARD |
| 24 | R65265100 | 1 | DOOR SWITCH |
| 25 | *R65280200 | 3 | INTERFERENCE SUPPRESSOR |
| 26 | *R65280450 | 1 | FERRITE |
| 27 | R65325000 | 2 | PROBE PT100 |
| 28 | R70020050 | 1 | MOTOR GASKET |
| 29 | *R75400440 | 1 | FAN Ø 350x114/12 50HZ P.D. KIT |
| 30 | *R65140430 | 1 | AUX.CONTACT 1L+1R 3RH1921-1FA11 |

*COMPONENT SUBMITTED TO CHANGEMENTS CAUSED BY TENSION DIFFERENT FROM THE STANDARD (3N AC400V 50HZ)

