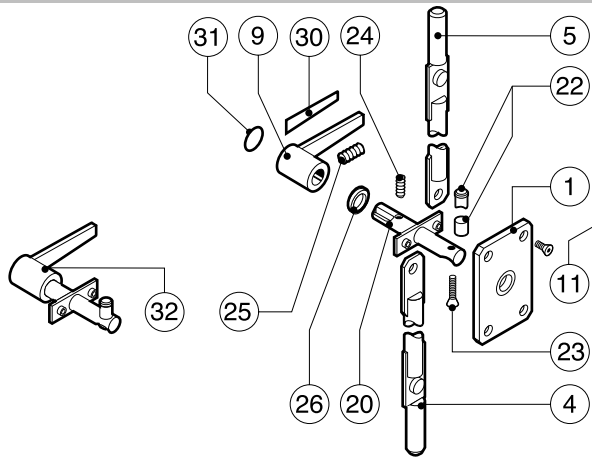
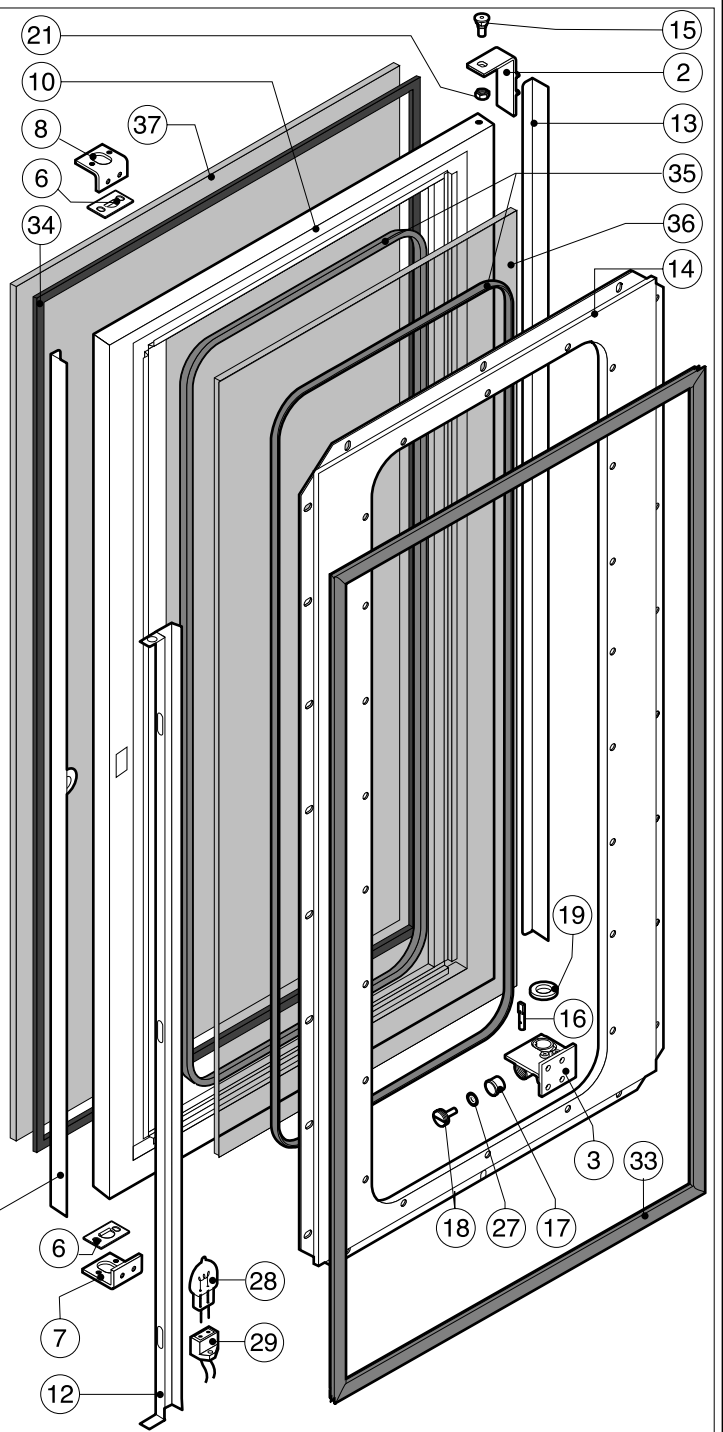
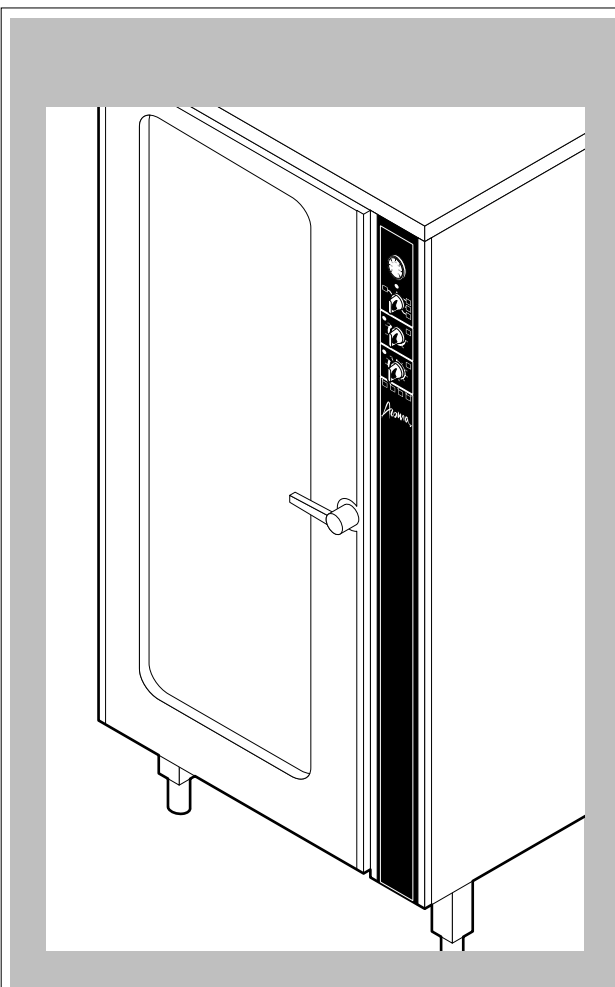


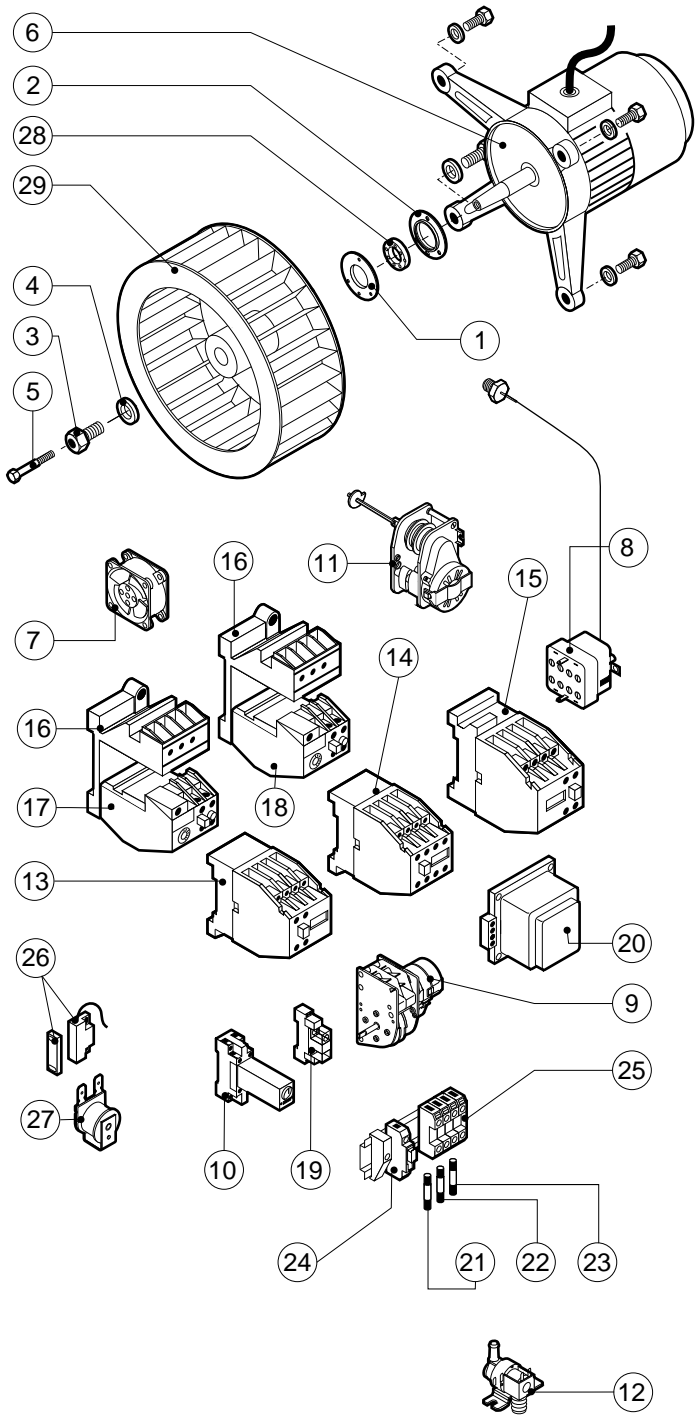
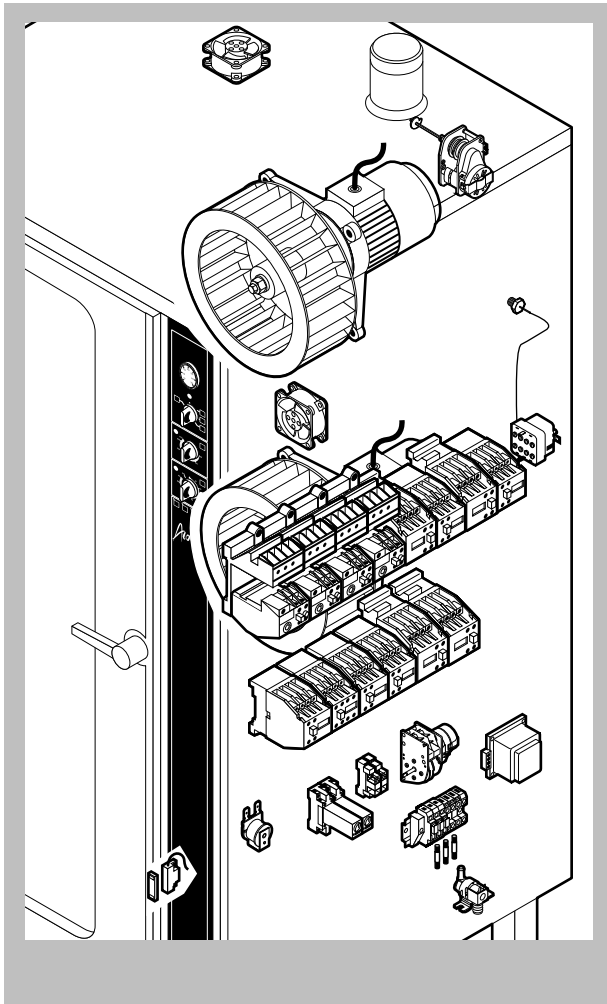
POS.	CODE	PIECES	DESCRIPTION
1	R10201600	1	LEFT SIDE PANEL
2	R10201620	1	RIGHT SIDE PANEL
3	R10201630	1	REAR PANEL
4	R12100040	1	DOOR ASSEMBLY
5	R12101100	1	CONTROL PANEL WITH PLATE
6	R12200050	1	COOKING CABINET ASSEMBLY
7	R12201140	1	HUMIDIFIER PIPE
8	R12201610	1	COVER PANEL
9	R12201670	1	FAN GUARD PANEL ASSEMBLY
10	R58006390	1	FAN GUARD FASTENING SCREW
11	R69070070	4	FOOT 1"1/4x120
12	R70042830	1	FRONT GASKET
13	R75300090	2	FAN GUARD GRID Ø 350

POS.	CODE	PIECES	DESCRIPTION



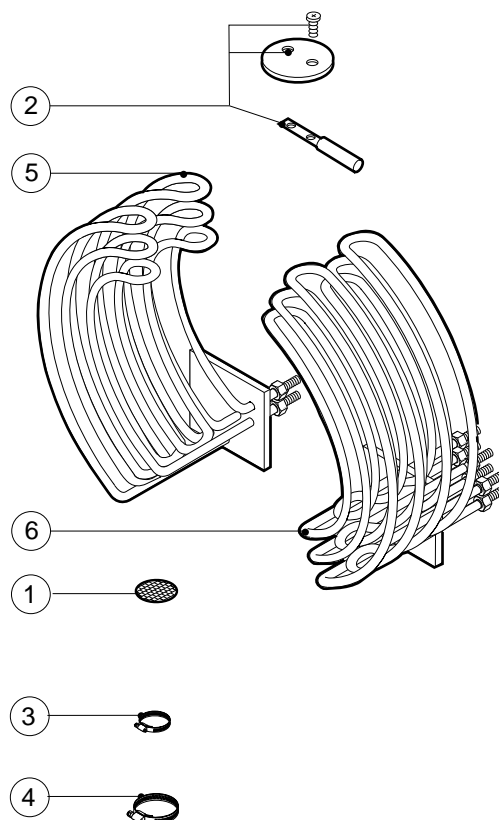
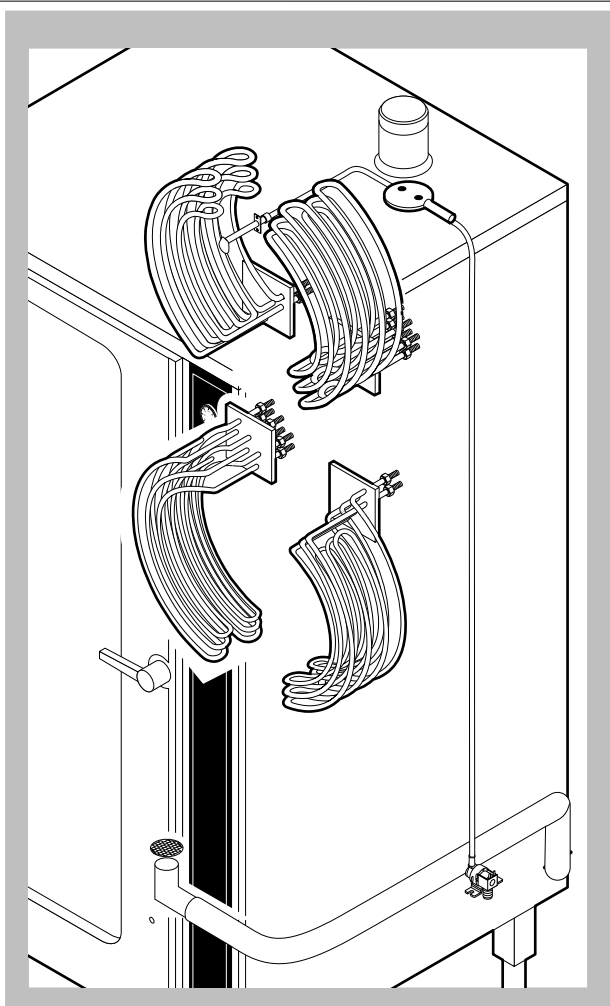
POS.	CODE	PIECES	DESCRIPTION
1	R03200970	1	DOOR LOCK REAR FLANGE
2	R10201290	1	UPPER DOOR HINGE
3	R10201330	1	LOWER DOOR HINGE WITH RETAINER
4	R10202950	1	LOWER DOOR ROD
5	R10202960	1	UPPER DOOR ROD
6	R10207680	2	DOOR ROD ADJUSTABLE PLATE
7	R10411350	1	LOWER SQUARE FOR DOOR ROD
8	R10411360	1	UPPER SQUARE FOR DOOR ROD
9	R12200670	1	DOOR HANDLE
10	R12201650	1	DOOR
11	R12201660	1	RIGHT GLASS FIXING BRACKET
12	R12404460	2	LAMP COVER
13	R12404480	1	LEFT GLASS FIXING BRACKET
14	R12404570	1	INNER DOOR PANEL
15	R58002150	1	HINGE PIN
16	R58002540	1	DOOR PIVOT SUNK KEY
17	R58002550	1	DOOR RETAINER GUIDE SHOE
18	R58002560	1	SCREW FOR LOWER DOOR HINGE
19	R58002570	1	WASHER Ø 30/15x3

POS.	CODE	PIECES	DESCRIPTION
20	R58003120	1	DOOR HANDLE PIN
21	R58004050	1	NUT FOR UPPER DOOR HINGE
22	R58004781	1	DOOR HANDLE HOOK
23	R58006370	1	DOOR HANDLE HOOK SCREW
24	R61090052	1	GRUB SCREW M6x16
25	R61100262	1	GRUB SCREW M8x20
26	R61420021	1	ELASTIC WASHER
27	R61620091	16	BELLEVILLE WASHER Ø 14/6.4
28	R65270020	6	LIGHT 20W 12V G4
29	R65270400	6	LIGHT SOCKET
30	R67011000	1	HANDLE INSERT BLUE
31	R67011050	1	BLU DOOR HANDLE DISK
32	R69015060	1	DOOR HANDLE ASSEMBLY
33	R70042530	1	DOOR GASKET
34	R70042630	1	FRONT GLASS GASKET
35	R70042730	1	REAR GLASS GASKET
36	R71200050	1	DOOR GLASS
37	R71200200	1	DOOR GLASS GOLD/BLUE



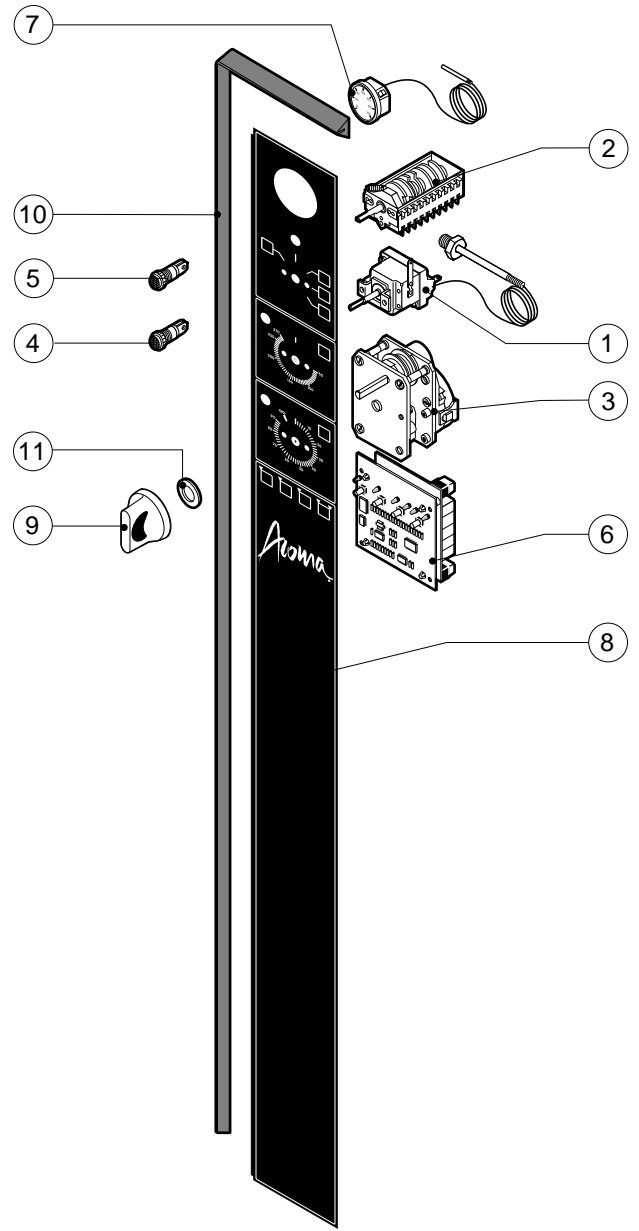
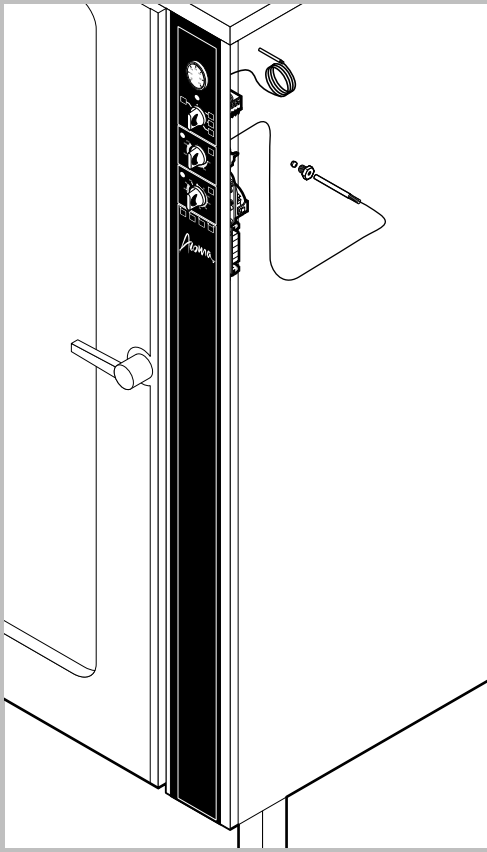
POS.	CODE	PIECES	DESCRIPTION
1	R58003840	2	MOTOR GASKET BRASS FLANGE
2	R58003850	2	MOTOR GASKET BRASS COUNTER FLANGE
3	R58004000	2	FAN SCREW M12x1.5 SX
4	R58004010	2	FAN WASHER Ø 30/12.5
5	R61020562	2	FAN SCREW TE A2 M6x55
6	R65040051	2	MOTOR HP 1/0.3 KIT
7	R65060010	2	COMPONENTS VENTILATION MOTOR Ø 80
8	R65070070	1	CHAMBER SAFETY THERMOSTAT
9	R65090180	1	REVERSING SWITCH 8'
10	R65090460	1	S.GENERATOR DRAIN TIMER FINDER MOD.85.32
11	R65095010	1	DAMPER SYSTEM
12	R65110010	1	SOLENOID VALVE 220V 50HZ
13	R65140150	5	CONTACTOR 3TF4011-OAUO 240V
14	R65140170	1	CONTACTOR 3TF4022-OAUO 240V
15	R65140240	4	CONTACTOR 3TF4211-OAUO 240V
16	R65160050	4	THERMIC SWITCH SUPPORT 3UX1418
17	R65160110	2	THERMIC PROTECTION 3UA5000-OJ 0.63-1A
18	R65160120	2	THERMIC PROTECTION 3UA5000-1C 1.6-2.5A
19	R65170050	2	RELAY 4052 240V AC 10A

POS.	CODE	PIECES	DESCRIPTION
20	R65180670	1	TRANSFORMER 120VA
21	R65200010	1	FUSE 0.8A (T)
22	R65200086	1	FUSE 0.125A (T)
23	R65200200	1	FUSE 2A
24	R65210020	3	FUSE CARRIER
25	R65220130	1	TERMINAL BOARD
26	R65265100	1	DOOR SWITCH
27	R65330010	1	BUZZER
28	R70020050	2	MOTOR GASKET
29	R75400380	2	FAN Ø 350x120/24 50HZ P.D. KIT



POS.	CODE	PIECES	DESCRIPTION
1	R10201710	1	DRAIN FILTER
2	R12401420	1	VENT OUTLER BUTTERFLY
3	R61630011	6	METAL CLAMPS 12-22/9
4	R61630041	4	METAL CLAMPS 70-90/9
5	R65011580	2	CHAMBER HEATING ELEMENT 7500W
6	R65011590	2	CHAMBER HEATING ELEMENT 7500W

POS.	CODE	PIECES	DESCRIPTION



POS.	CODE	PIECES	DESCRIPTION
1	R65070210	1	CABINET THERMOSTAT 50/270°C
2	R65080020	1	MAIN SELECTOR SWITCH
3	R65090050	1	TIMER 90'
4	R65270220	2	ORANGE INDICATING LIGHT
5	R65270230	1	GREEN INDICATING LIGHT
6	R65300510	1	CONTROL PANEL P.C. BOARD
7	R65340050	1	THERMOMETER
8	R67011520	1	LAINOX PLATE
9	R69030150	3	KNOB KIT
10	R70040850	1	CONTROL PANEL GASKET
11	R70050020	6	KNOB GASKET

POS.	CODE	PIECES	DESCRIPTION