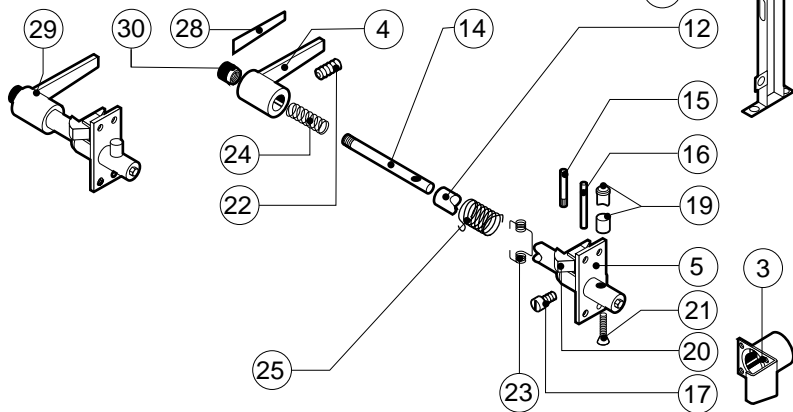
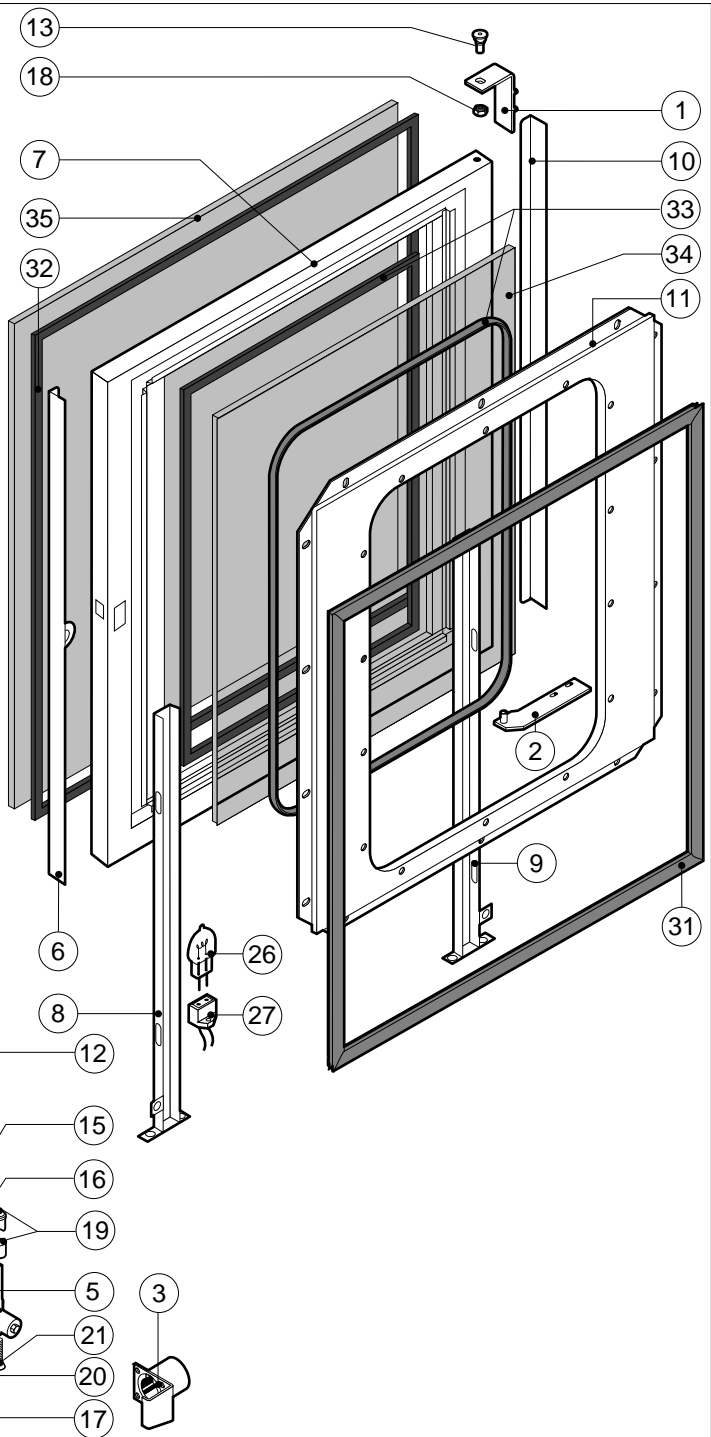
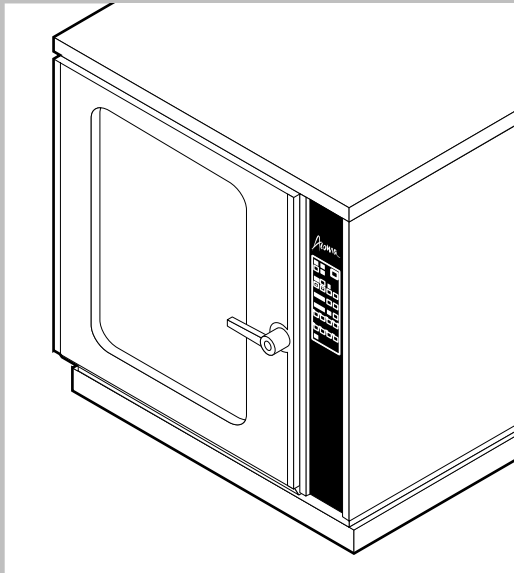


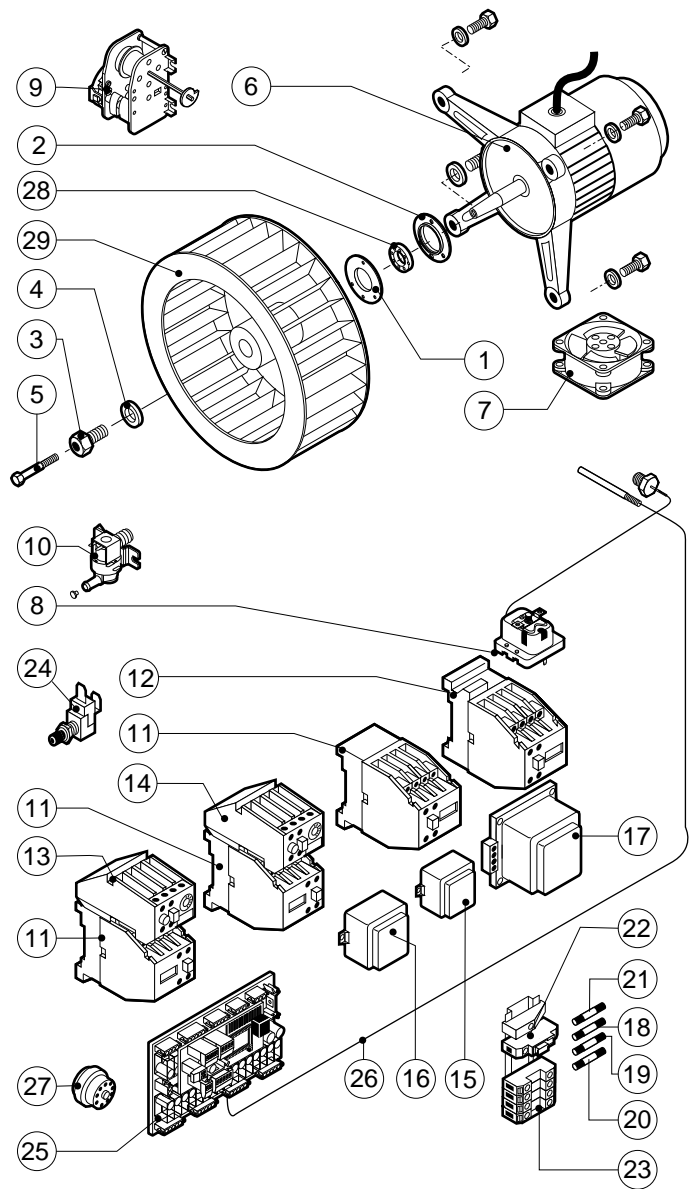
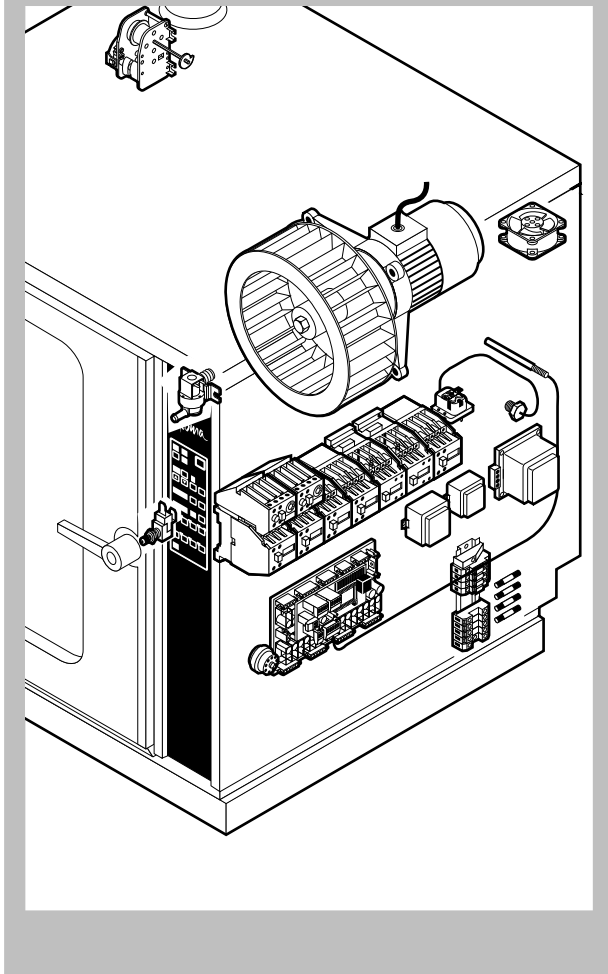
POS.	CODE	PIECES	DESCRIPTION
1	R10206480	1	SPRITZER EXTENSION
2	R10206540	1	SPRITZER UNION
3	R12100020	1	DOOR ASSEMBLY
4	R12100720	1	CONTROL PANEL WITH PLATE
5	R12200030	1	COOKING CABINET ASSEMBLY
6	R12200190	1	LEFT SIDE PANEL
7	R12200230	1	RIGHT SIDE PANEL
8	R12200250	1	REAR PANEL
9	R12200260	1	COVER PANEL
10	R12201200	1	FAN GUARD PANEL ASSEMBLY
11	R58006390	1	FAN GUARD FASTENING SCREW
12	R70042810	1	FRONT GASKET
13	R75300090	1	FAN GUARD GRID Ø 350

POS.	CODE	PIECES	DESCRIPTION



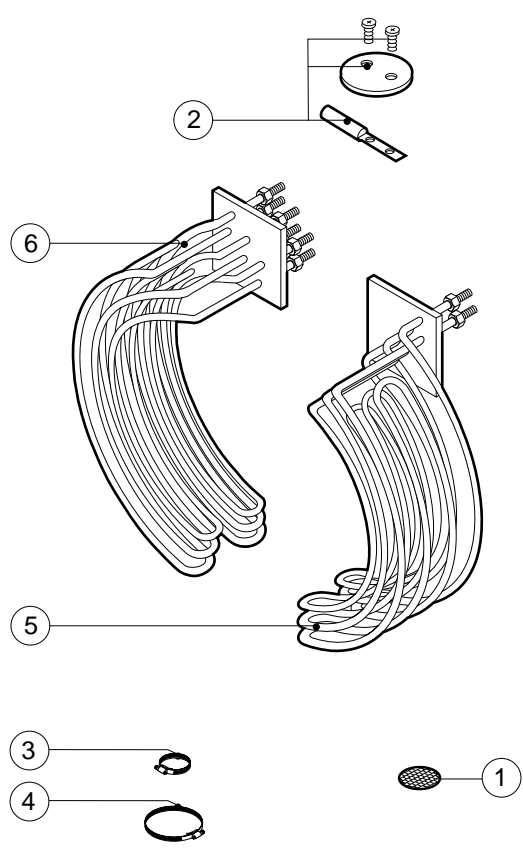
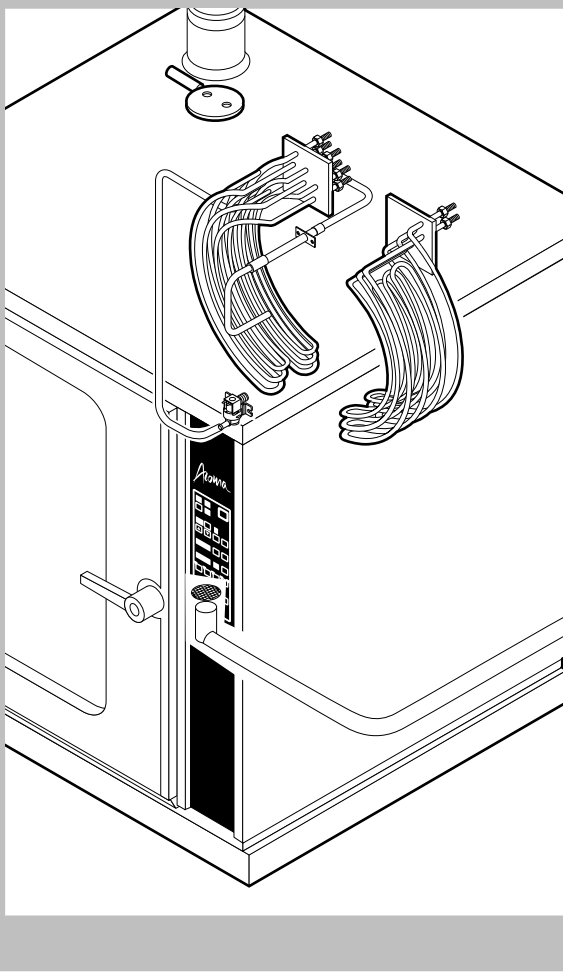
POS.	CODE	PIECES	DESCRIPTION
1	R10201290	1	UPPER DOOR HINGE
2	R12200630	1	LOWER DOOR HINGE
3	R12200810	1	FLANGED BUSH
4	R12200890	1	DOOR HANDLE
5	R12200900	1	FLANGED HANDLE BRACKET
6	R12201370	1	RIGHT GLASS FIXING BRACKET
7	R12202030	1	DOOR
8	R12202040	1	RIGHT LAMP COVER
9	R12202050	1	LEFT LAMP COVER
10	R12403170	1	LEFT GLASS FIXING BRACKET
11	R12403580	1	INNER DOOR PANEL
12	R58001920	1	DOOR HANDLE PIN
13	R58002150	1	HINGE PIN
14	R58002300	1	DOOR HANDLE ROD
15	R58002320	1	PUSH ROD
16	R58002350	1	DOOR HANDLE PRONG PIN
17	R58002370	1	HANDLE LOCKING BOLT
18	R58004050	1	NUT FOR UPPER DOOR HINGE
19	R58004781	1	DOOR HANDLE HOOK

POS.	CODE	PIECES	DESCRIPTION
20	R58005050	1	DOOR HANDLE PRONG
21	R58006370	1	DOOR HANDLE HOOK SCREW
22	R61090562	1	GRUB SCREW M8x10
23	R61620012	1	DOOR HANDLE CATCH SPRING
24	R61620041	1	DOOR HANDLE BUTTON SPRING
25	R61620102	1	HANDLE RETURN SPRING
26	R65270020	4	LIGHT 20W 12V G4
27	R65270400	4	LIGHT SOCKET
28	R67011000	1	HANDLE INSERT BLUE
29	R69015030	1	DOOR HANDLE ASSEMBLY
30	R69031220	1	DOOR HANDLE PUSH BUTTON BLUE
31	R70042510	1	DOOR GASKET
32	R70042610	1	FRONT GLASS GASKET
33	R70042710	1	REAR GLASS GASKET
34	R71200040	1	DOOR GLASS
35	R71200190	1	DOOR GLASS GOLD/BLUE



POS.	CODE	PIECES	DESCRIPTION
1	R58003840	1	MOTOR GASKET BRASS FLANGE
2	R58003850	1	MOTOR GASKET BRASS COUNTER FLANGE
3	R58004000	1	FAN SCREW M12x1.5 SX
4	R58004010	1	FAN WASHER Ø 30/12.5
5	R61020562	1	FAN SCREW TE A2 M6x55
6	R65040051	1	MOTOR HP 1/0.3 KIT
7	R65060010	1	COMPONENTS VENTILATION MOTOR Ø 80
8	R65070070	1	CHAMBER SAFETY THERMOSTAT
9	R65095000	1	DAMPER SYSTEM
10	R65115040	1	SOLENOID VALVE 220V 50HZ WITH FLOW REDUCER
11	R65140150	5	CONTACTOR 3TF4011-OAUO 240V
12	R65140240	2	CONTACTOR 3TF4211-OAUO 240V
13	R65160110	1	THERMIC PROTECTION 3UA5000-OJ 0.63-1A
14	R65160120	1	THERMIC PROTECTION 3UA5000-1C 1.6-2.5A
15	R65180410	1	TRANSFORMER 16VA
16	R65180650	1	TRANSFORMER 23VA
17	R65180660	1	TRANSFORMER 80VA
18	R65200010	1	FUSE 0.8A (T)
19	R65200086	1	FUSE 0.125A (T)

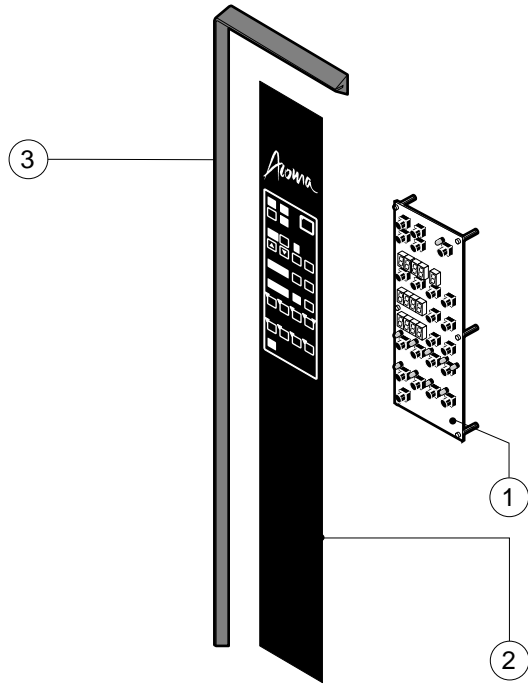
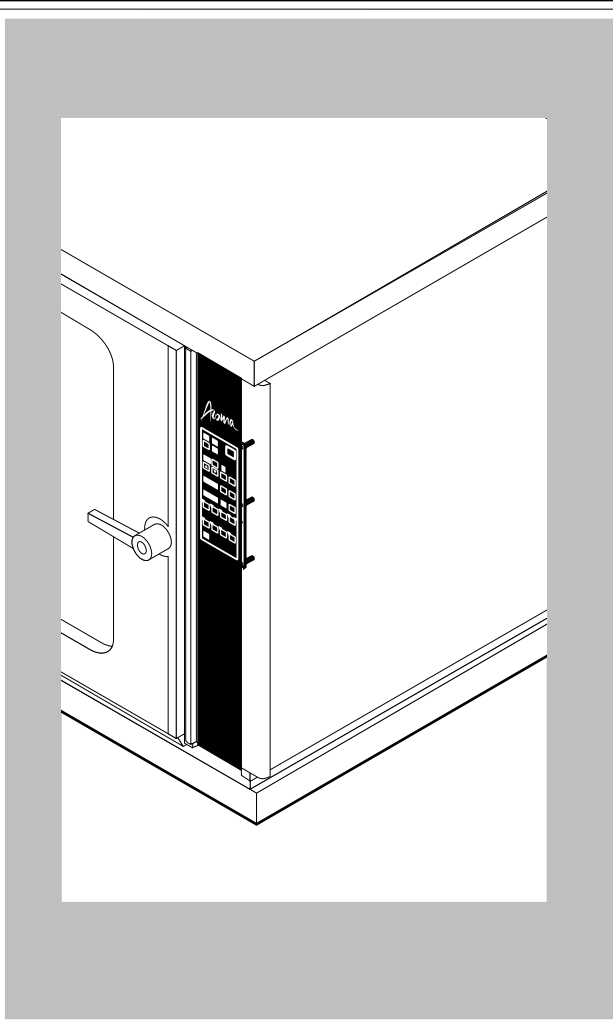
POS.	CODE	PIECES	DESCRIPTION
20	R65200200	1	FUSE 2A
21	R65200320	1	FUSE 0.2A (T)
22	R65210020	4	FUSE CARRIER
23	R65220090	1	TERMINAL BOARD
24	R65260530	1	DOOR SWITCH
25	R65300640	1	RELAYS P.C. BOARD
26	R65325000	1	PROBE PT100
27	R65330040	1	BUZZER
28	R70020050	1	MOTOR GASKET
29	R75400380	1	FAN Ø 350x120/24 50HZ P.D. KIT



POS.	CODE	PIECES	DESCRIPTION
1	R10201710	1	DRAIN FILTER
2	R12401420	1	VENT OUTLER BUTTERFLY
3	R61630011	2	METAL CLAMPS 12-22/9
4	R61630041	2	METAL CLAMPS 70-90/9
5	R65011580	1	CHAMBER HEATING ELEMENT 7500W
6	R65011590	1	CHAMBER HEATING ELEMENT 7500W

POS.	CODE	PIECES	DESCRIPTION

016 40 004 3805 280198 DONADINI & C



POS.	CODE	PIECES	DESCRIPTION
1	R65300650	1	CONTROL PANEL P.C. BOARD
2	R67011270	1	LAINOX PLATE
3	R70042910	1	CONTROL PANEL GASKET

POS.	CODE	PIECES	DESCRIPTION