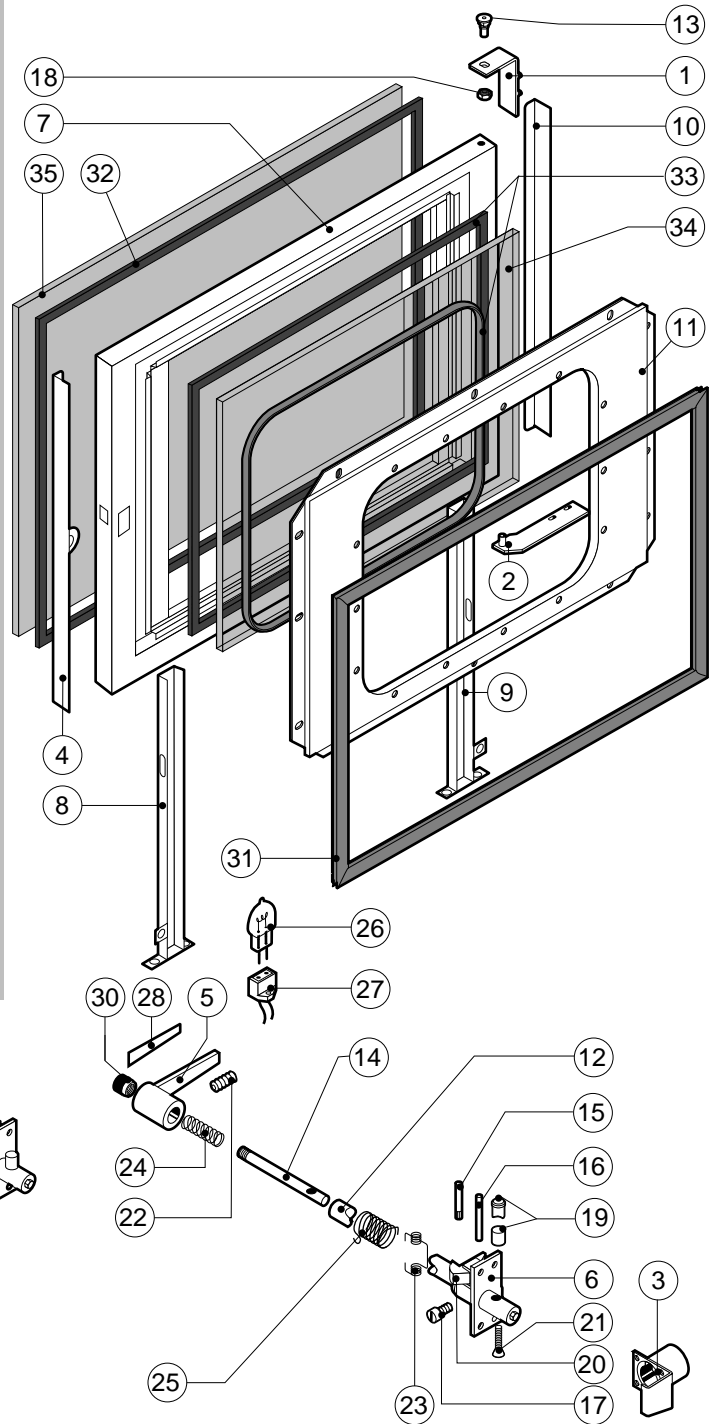
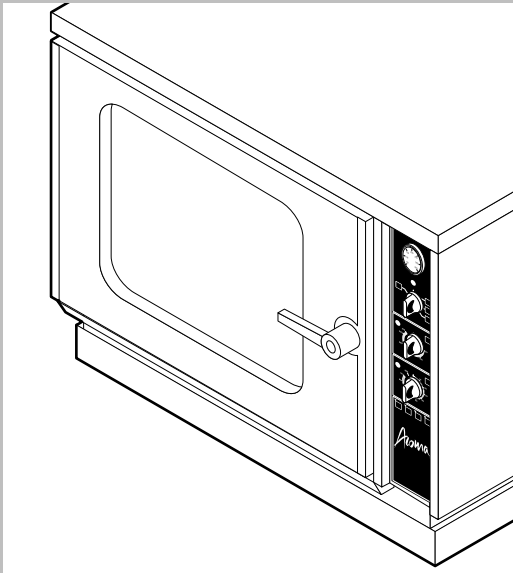


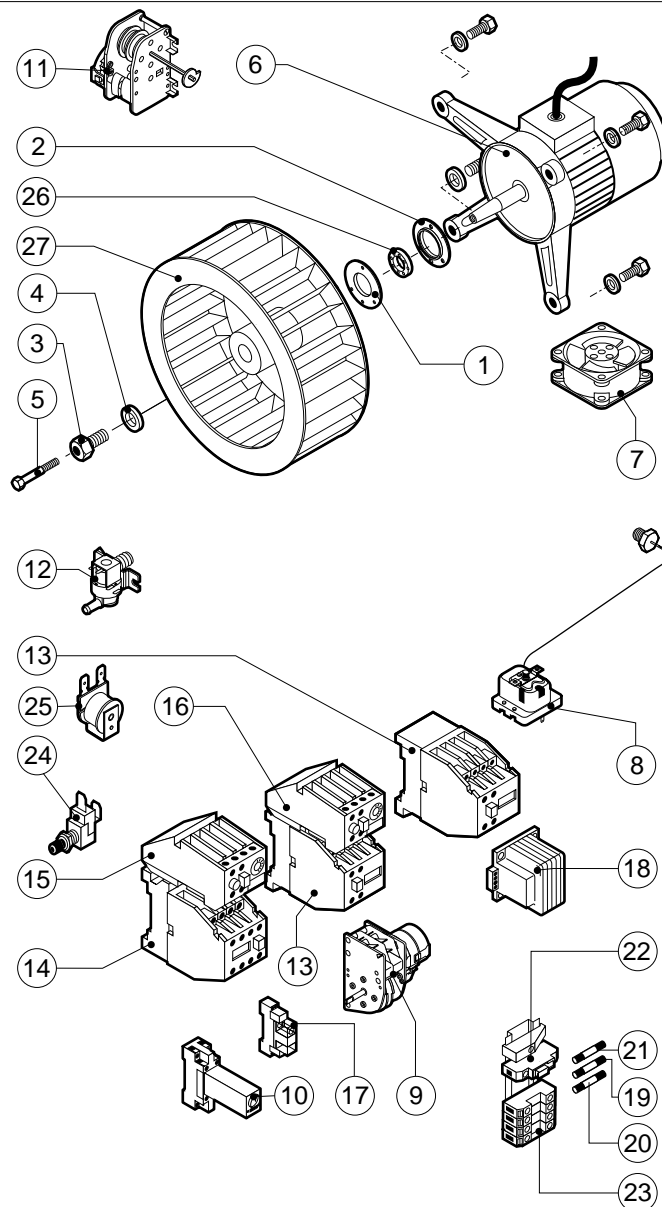
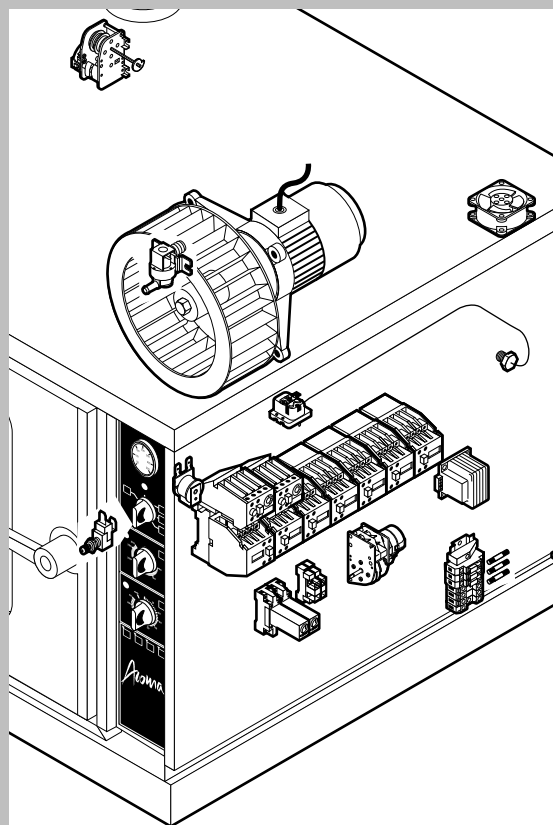
| POS. | CODE | PIECES | DESCRIPTION |
|------|-----------|--------|---------------------------|
| 1 | R12100010 | 1 | DOOR ASSEMBLY |
| 2 | R12100500 | 1 | CONTROL PANEL WITH PLATE |
| 3 | R12200010 | 1 | COOKING CABINET ASSEMBLY |
| 4 | R12200180 | 1 | LEFT SIDE PANEL |
| 5 | R12200200 | 1 | RIGHT SIDE PANEL |
| 6 | R12200220 | 1 | REAR PANEL |
| 7 | R12200260 | 1 | COVER PANEL |
| 8 | R12200550 | 1 | FAN GUARD PANEL ASSEMBLY |
| 9 | R12201120 | 1 | HUMIDIFIER PIPE |
| 10 | R58006390 | 1 | FAN GUARD FASTENING SCREW |
| 11 | R70042800 | 1 | FRONT GASKET |
| 12 | R75300060 | 1 | FAN GUARD GRID Ø 270 |
| | | | |
| | | | |
| | | | |
| | | | |
| | | | |
| | | | |

| POS. | CODE | PIECES | DESCRIPTION |
|------|------|--------|-------------|
| | | | |
| | | | |
| | | | |
| | | | |
| | | | |
| | | | |
| | | | |
| | | | |
| | | | |
| | | | |
| | | | |
| | | | |
| | | | |
| | | | |
| | | | |
| | | | |



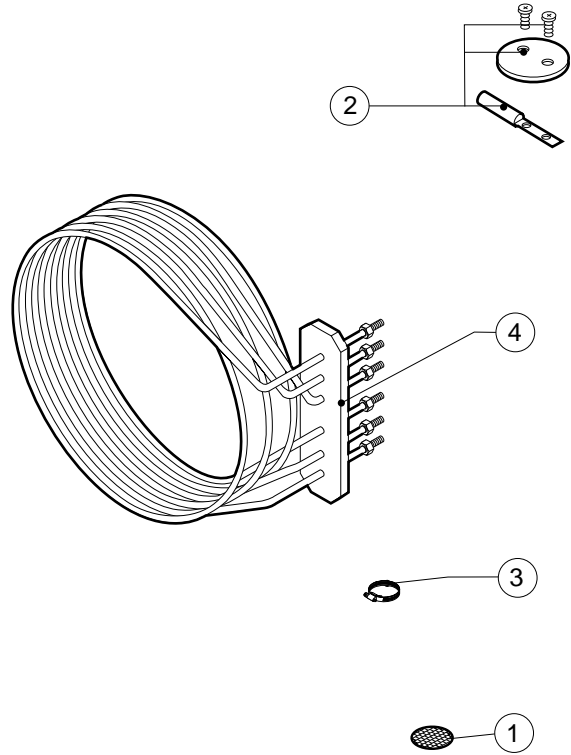
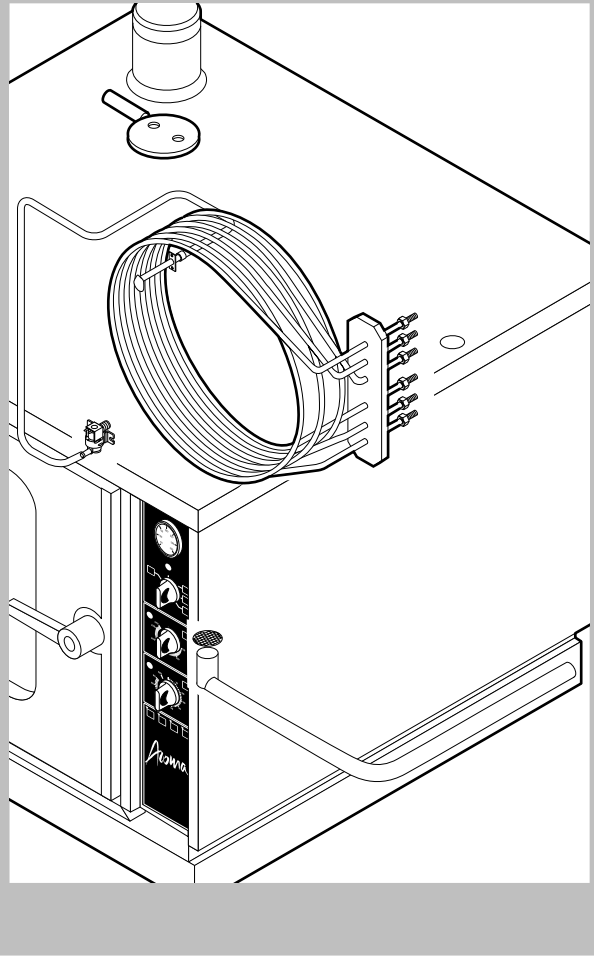
| POS. | CODE | PIECES | DESCRIPTION |
|------|-----------|--------|----------------------------|
| 1 | R10201290 | 1 | UPPER DOOR HINGE |
| 2 | R12200630 | 1 | LOWER DOOR HINGE |
| 3 | R12200810 | 1 | FLANGED BUSH |
| 4 | R12200860 | 1 | RIGHT GLASS FIXING BRACKET |
| 5 | R12200890 | 1 | DOOR HANDLE |
| 6 | R12200900 | 1 | FLANGED HANDLE BRACKET |
| 7 | R12202000 | 1 | DOOR |
| 8 | R12202010 | 1 | RIGHT LAMP COVER |
| 9 | R12202020 | 1 | LEFT LAMP COVER |
| 10 | R12400880 | 1 | LEFT GLASS FIXING BRACKET |
| 11 | R12400990 | 1 | INNER DOOR PANEL |
| 12 | R58001920 | 1 | DOOR HANDLE PIN |
| 13 | R58002150 | 1 | HINGE PIN |
| 14 | R58002300 | 1 | DOOR HANDLE ROD |
| 15 | R58002320 | 1 | PUSH ROD |
| 16 | R58002350 | 1 | DOOR HANDLE PRONG PIN |
| 17 | R58002370 | 1 | HANDLE LOCKING BOLT |
| 18 | R58004050 | 1 | NUT FOR UPPER DOOR HINGE |
| 19 | R58004781 | 1 | DOOR HANDLE HOOK |

| POS. | CODE | PIECES | DESCRIPTION |
|------|-----------|--------|------------------------------|
| 20 | R58005050 | 1 | DOOR HANDLE PRONG |
| 21 | R58006370 | 1 | DOOR HANDLE HOOK SCREW |
| 22 | R61090562 | 1 | GRUB SCREW M8x10 |
| 23 | R61620012 | 1 | DOOR HANDLE CATCH SPRING |
| 24 | R61620041 | 1 | DOOR HANDLE BUTTON SPRING |
| 25 | R61620102 | 1 | HANDLE RETURN SPRING |
| 26 | R65270020 | 2 | LIGHT 20W 12V G4 |
| 27 | R65270400 | 2 | LIGHT SOCKET |
| 28 | R67011000 | 1 | HANDLE INSERT BLUE |
| 29 | R69015030 | 1 | DOOR HANDLE ASSEMBLY |
| 30 | R69031220 | 1 | DOOR HANDLE PUSH BUTTON BLUE |
| 31 | R70042500 | 1 | DOOR GASKET |
| 32 | R70042600 | 1 | FRONT GLASS GASKET |
| 33 | R70042700 | 1 | REAR GLASS GASKET |
| 34 | R71200020 | 1 | DOOR GLASS |
| 35 | R71200180 | 1 | DOOR GLASS GOLD/BLUE |



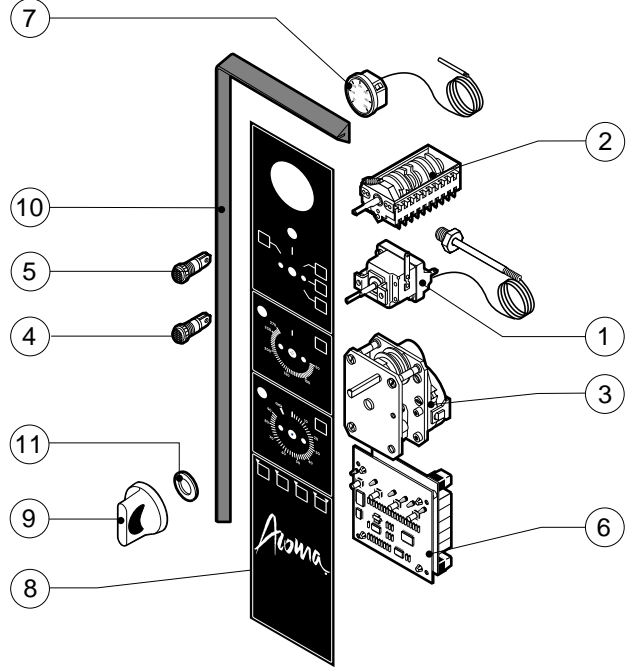
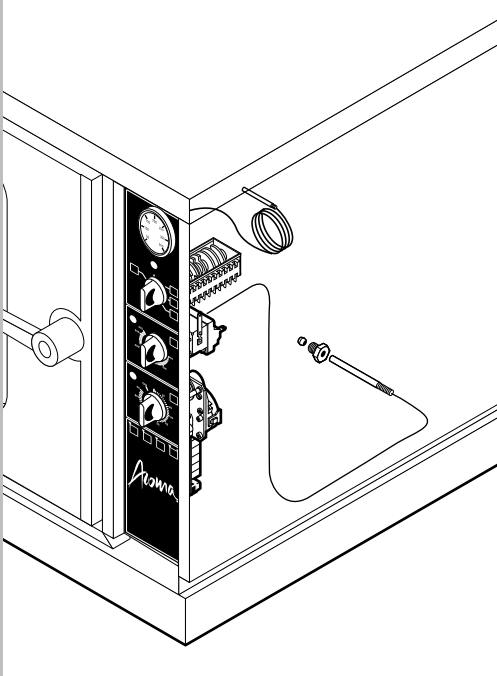
| POS. | CODE | PIECES | DESCRIPTION |
|------|-----------|--------|------------------------------------------|
| 1 | R58003840 | 1 | MOTOR GASKET BRASS FLANGE |
| 2 | R58003850 | 1 | MOTOR GASKET BRASS COUNTER FLANGE |
| 3 | R58004000 | 1 | FAN SCREW M12x1.5 SX |
| 4 | R58004010 | 1 | FAN WASHER Ø 30/12.5 |
| 5 | R61020562 | 1 | FAN SCREW TE A2 M6x55 |
| 6 | R65040051 | 1 | MOTOR HP 1/0.3 KIT |
| 7 | R65060010 | 1 | COMPONENTS VENTILATION MOTOR Ø 80 |
| 8 | R65070070 | 1 | CHAMBER SAFETY THERMOSTAT |
| 9 | R65090180 | 1 | REVERSING SWITCH 8" |
| 10 | R65090460 | 1 | S.GENERATOR DRAIN TIMER FINDER MOD.85.32 |
| 11 | R65095010 | 1 | DAMPER SYSTEM |
| 12 | R65110010 | 1 | SOLENOID VALVE 220V 50HZ |
| 13 | R65140150 | 6 | CONTACTOR 3TF4011-OAUO 240V |
| 14 | R65140170 | 1 | CONTACTOR 3TF4022-OAUO 240V |
| 15 | R65160110 | 1 | THERMIC PROTECTION 3UA5000-0J 0.63-1A |
| 16 | R65160120 | 1 | THERMIC PROTECTION 3UA5000-1C 1.6-2.5A |
| 17 | R65170050 | 2 | RELAY 4052 240V AC 10A |
| 18 | R65180430 | 1 | TRANSFORMER 40VA |
| 19 | R65200086 | 1 | FUSE 0.125A (T) |

| POS. | CODE | PIECES | DESCRIPTION |
|------|-----------|--------|--------------------------------|
| 20 | R65200200 | 1 | FUSE 2A |
| 21 | R65200350 | 1 | FUSE 0.4A (T) |
| 22 | R65210020 | 3 | FUSE CARRIER |
| 23 | R65220090 | 1 | TERMINAL BOARD |
| 24 | R65260530 | 1 | DOOR SWITCH |
| 25 | R65330010 | 1 | BUZZER |
| 26 | R70020050 | 1 | MOTOR GASKET |
| 27 | R75400250 | 1 | FAN Ø 270x120/24 50HZ P.D. KIT |
| | | | |
| | | | |
| | | | |
| | | | |
| | | | |
| | | | |
| | | | |
| | | | |
| | | | |
| | | | |
| | | | |
| | | | |
| | | | |
| | | | |
| | | | |
| | | | |
| | | | |
| | | | |
| | | | |
| | | | |
| | | | |
| | | | |
| | | | |
| | | | |
| | | | |
| | | | |
| | | | |
| | | | |
| | | | |
| | | | |
| | | | |
| | | | |
| | | | |
| | | | |
| | | | |
| | | | |
| | | | |
| | | | |



| POS. | CODE | PIECES | DESCRIPTION |
|------|-----------|--------|-------------------------------|
| 1 | R10201710 | 1 | DRAIN FILTER |
| 2 | R12401420 | 1 | VENT OUTLER BUTTERFLY |
| 3 | R61630011 | 2 | METAL CLAMPS 12-22/9 |
| 4 | R65011560 | 1 | CHAMBER HEATING ELEMENT 7500W |
| | | | |
| | | | |
| | | | |
| | | | |
| | | | |
| | | | |
| | | | |
| | | | |
| | | | |
| | | | |
| | | | |
| | | | |
| | | | |
| | | | |
| | | | |
| | | | |
| | | | |
| | | | |
| | | | |
| | | | |
| | | | |
| | | | |
| | | | |
| | | | |

| POS. | CODE | PIECES | DESCRIPTION |
|------|------|--------|-------------|
| | | | |
| | | | |
| | | | |
| | | | |
| | | | |
| | | | |
| | | | |
| | | | |
| | | | |
| | | | |
| | | | |
| | | | |
| | | | |
| | | | |
| | | | |
| | | | |
| | | | |
| | | | |
| | | | |
| | | | |
| | | | |
| | | | |
| | | | |
| | | | |
| | | | |
| | | | |



| POS. | CODE | PIECES | DESCRIPTION |
|------|-----------|--------|-----------------------------|
| 1 | R65070210 | 1 | CABINET THERMOSTAT 50/270°C |
| 2 | R65080020 | 1 | MAIN SELECTOR SWITCH |
| 3 | R65090050 | 1 | TIMER 90' |
| 4 | R65270220 | 2 | ORANGE INDICATING LIGHT |
| 5 | R65270230 | 1 | GREEN INDICATING LIGHT |
| 6 | R65300510 | 1 | CONTROL PANEL P.C. BOARD |
| 7 | R65340050 | 1 | THERMOMETER |
| 8 | R67011500 | 1 | LAINOX PLATE |
| 9 | R69030150 | 3 | KNOB KIT |
| 10 | R70040840 | 1 | CONTROL PANEL GASKET |
| 11 | R70050020 | 6 | KNOB GASKET |
| | | | |
| | | | |
| | | | |
| | | | |
| | | | |
| | | | |
| | | | |
| | | | |
| | | | |

| POS. | CODE | PIECES | DESCRIPTION |
|------|------|--------|-------------|
| | | | |
| | | | |
| | | | |
| | | | |
| | | | |
| | | | |
| | | | |
| | | | |
| | | | |
| | | | |
| | | | |
| | | | |
| | | | |
| | | | |
| | | | |
| | | | |