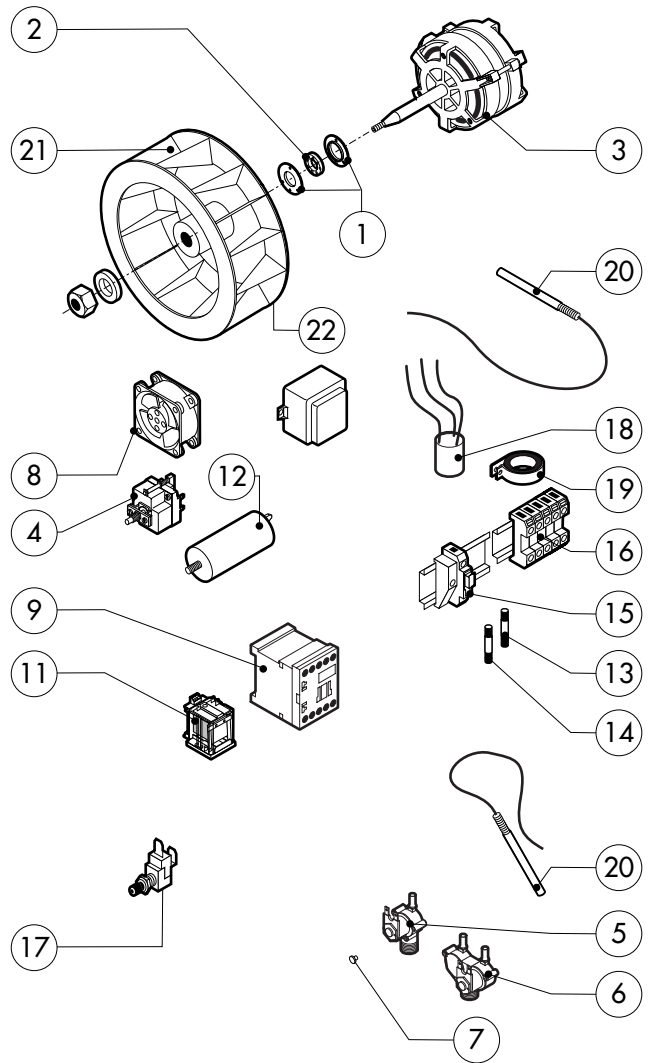
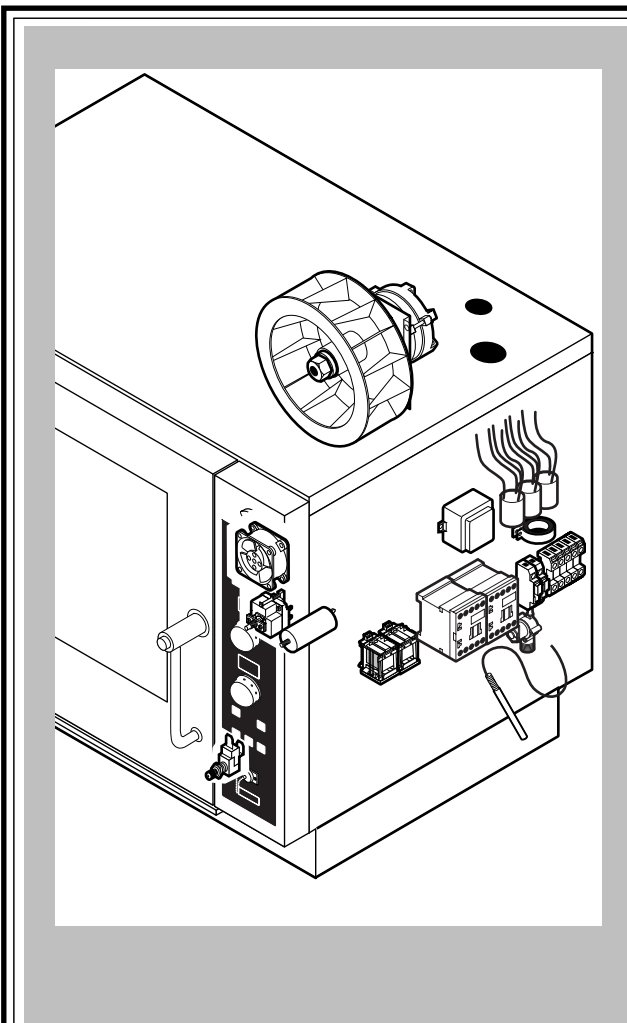


POS.	CODE	PIECES	DESCRIPTION
1	R18200930	1	DOOR
2	R18402310	1	INNER DOOR PANEL
3	R71201330	1	FRONTAL DOOR GLASS
4	R18201260	1	LOWER DOOR HINGE
5	R18201270	1	UPPER DOOR HINGE
6	R69015000	1	DOOR HANDLE ASSEMBLY
7	R09200230	1	DOOR HANDLE
8	R10100110	1	PRONG FLANGE
9	R58003240	1	DOOR HANDLE BUTTON ROD
10	R58004270	1	DOOR HANDLE SPACER
11	R58004830	1	RING NUT M18x1
12	R58005050	1	DOOR HANDLE PRONG
13	R58005340	1	DOOR HANDLE LOWER INSULATION WASHER
14	R58005350	1	DOOR HANDLE UPPER INSULATION WASHER
15	R61620012	1	DOOR HANDLE CATCH SPRING
16	R61620041	1	DOOR HANDLE BUTTON SPRING
17	R69031190	1	DOOR HANDLE PUSH BUTTON
18	R58002160	1	DOOR HANDLE PRONG PIN
19	R18200940	1	DOOR HANDLE PRONG COUPLER

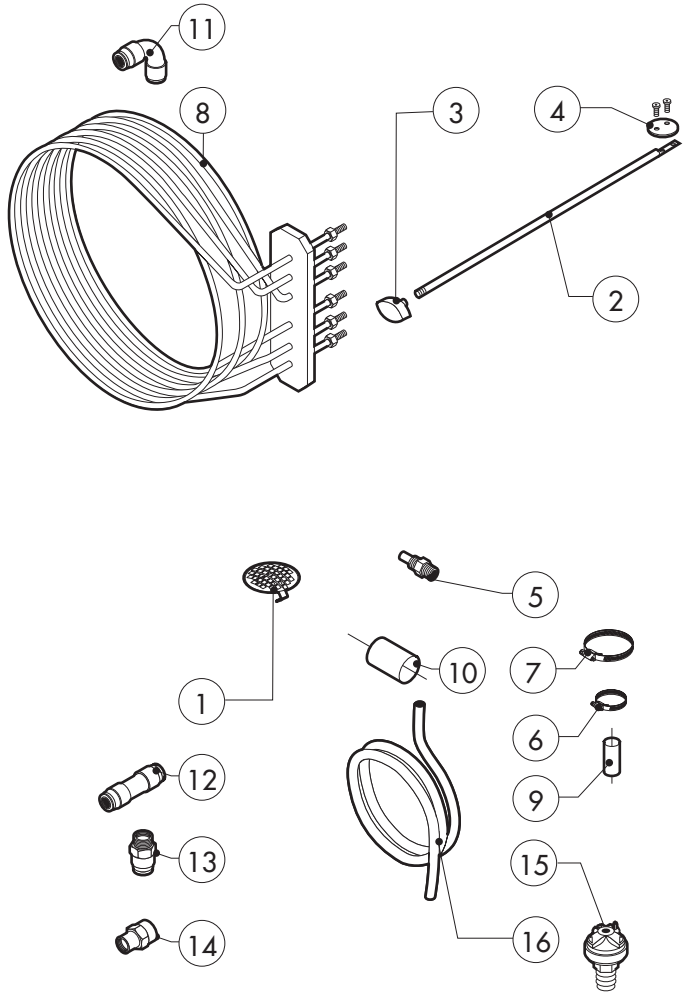
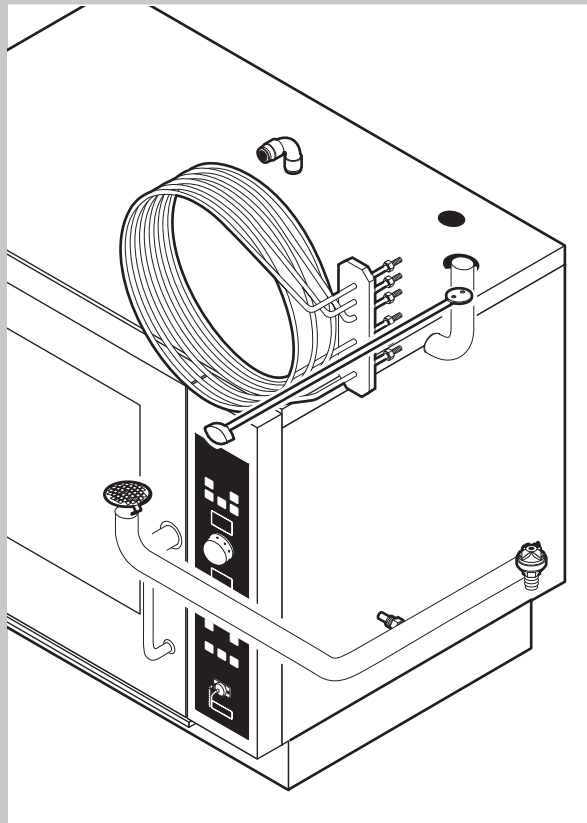
POS.	CODE	PIECES	DESCRIPTION



POS.	CODE	PIECES	DESCRIPTION
1	R58005500	1	MOTOR GASKET BRASS FLANGE
2	R70020020	1	MOTOR GASKET
3	*R65041000	1	MOTOR 200W
4	R65070350	1	CHAMBER SAFETY THERMOSTAT
5	R65110200	1	SOLENOID VALVE 220V 50HZ
6	R65110230	1	SOLENOID VALVE 220V 50HZ WITH FLOW REDUCER
7	R65110500	1	10 LT/H WATER FLOW REDUCER
8	R65060010	1	COMPONENTS VENTILATION MOTOR Ø 80
9	*R65140700	2	CONTACTOR DIL M9-01 4KW-20A
10	R65180420	1	TRANSFORMER 20VA
11	R65170100	2	RELAY 240V AC 16A 62.82300308
12	*R65190180	1	CAPACITOR 10 µF
13	R65200200	1	FUSE 2A
14	R65200086	1	FUSE 0.125A (T)
15	R65210020	2	FUSE CARRIER
16	R65220090	1	TERMINAL BOARD
17	R65260540	1	DOOR SWITCH
18	*R65280200	3	INTERFERENCE SUPPRESSOR
19	*R65280450	1	FERRITE

POS.	CODE	PIECES	DESCRIPTION
20	R65325000	2	PROBE PT100
21	*R75400410	1	FAN Ø 180x77/12 50HZ P.D.
22	R75400430	1	FAN Ø 180x77/8 60HZ P.D.

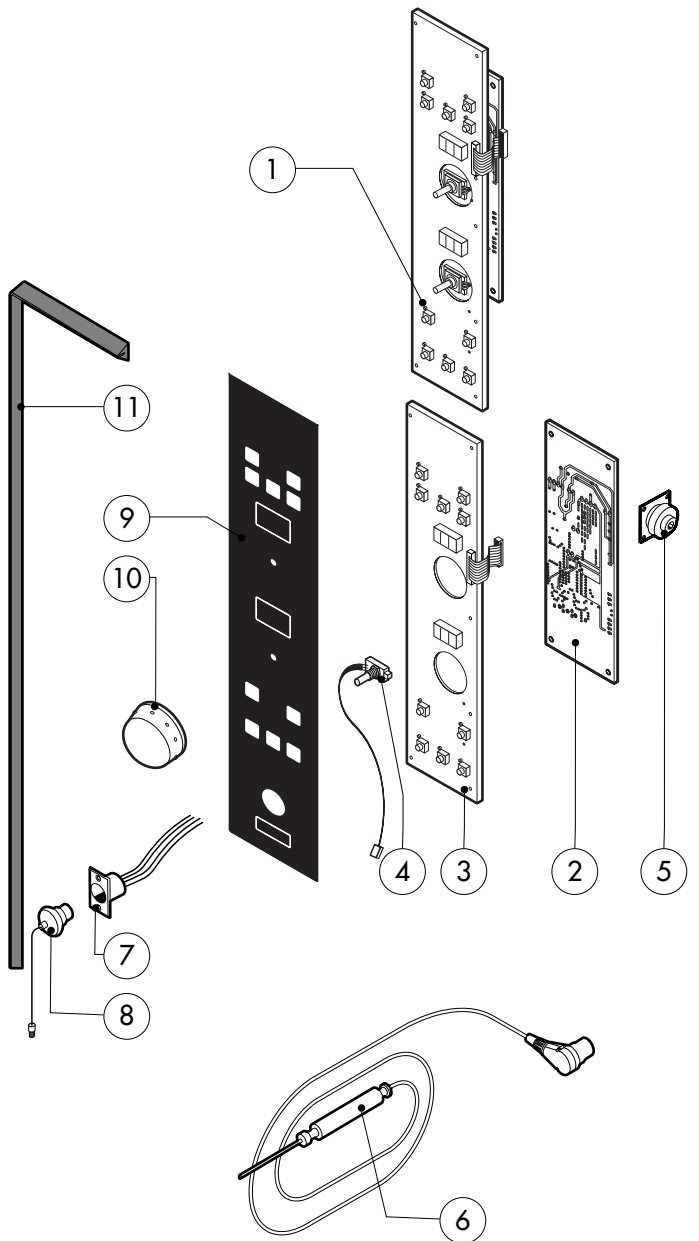
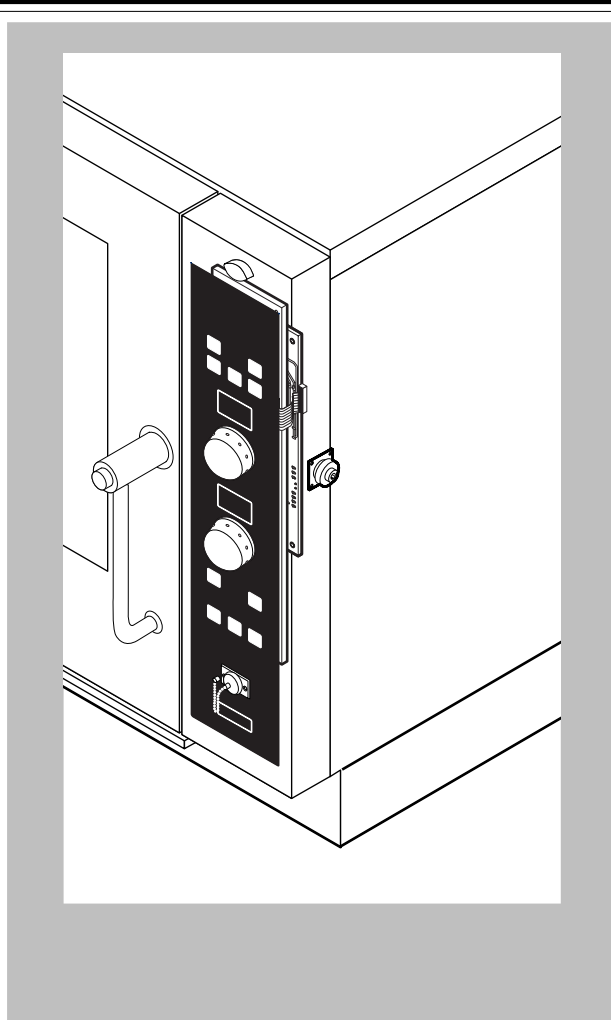
*COMPONENT SUBMITTED TO CHANGEMENTS CAUSED BY TENSION DIFFERENT FROM THE STANDARD (3N AC400V 50HZ)



POS.	CODE	PIECES	DESCRIPTION
1	R09201820	1	DRAIN FILTER
2	R58006700	1	CHAMBER VENT ROD
3	R69010410	1	STEAM OUTLET KNOB
4	R18400940	1	CHAMBER VENT PLATE
5	R58006130	1	STEAM QUENCHING NOZZLE Ø 1
6	R61630011	2	METAL CLAMPS 12-22/9
7	R61630081	2	METAL CLAMPS 20-32/9
8	R65011530	1	CHAMBER HEATING ELEMENT 6000W
9	R70060080	1	SILICON COUPLING Ø 13
10	R70060090	1	SILICON COUPLING Ø 25
11	R62090478	3	ELBOW MIDLING PIPE FITTING D.10
12	R62090458	1	STRAIGHT MIDLING PIPE FITTING D.10
13	R62090508	1	10X1/4 STRAIGHT THREADED TERMINAL PIPE FITTING
14	R62030118	1	1/8"-1/4" FEMALE REDUCTION COUPLING
15	R63070050	1	WATER SAFETY PRESSURE SWITCH 1/8" 0,5-0,35 BAR
16	R70070070	1	PE D.10 MM X7 WATER FLEXIBLE PIPE (1 MT LONG)

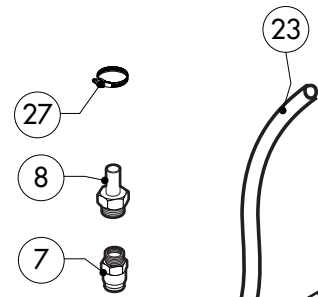
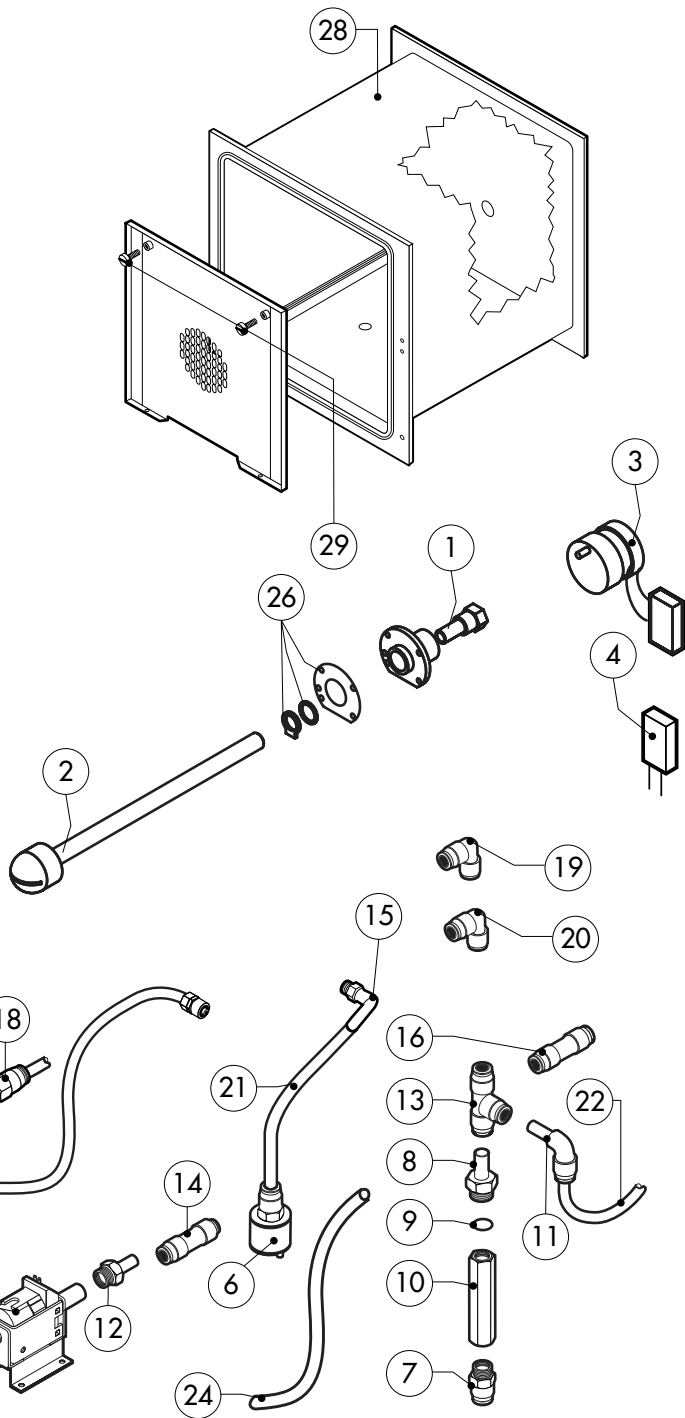
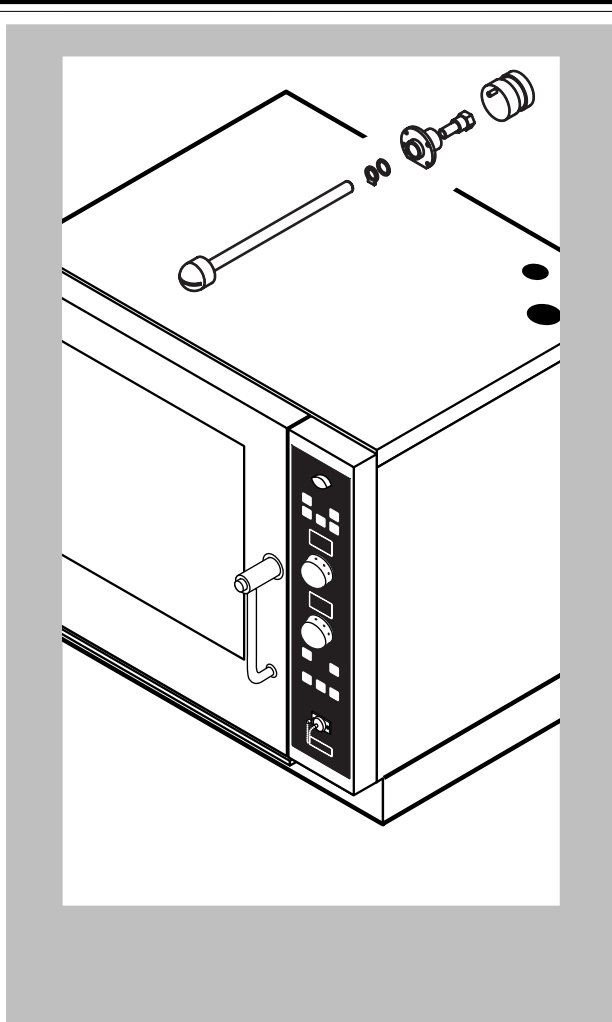
POS.	CODE	PIECES	DESCRIPTION

*COMPONENT SUBMITTED TO CHANGEMENTS CAUSED BY TENSION DIFFERENT FROM THE



POS.	CODE	PIECES	DESCRIPTION
1	R65301800	1	CONTROL PANEL P.C. BOARD
2	R65301830	1	FRONT PC BOARD "D" MOD
3	R65301820	1	RELAY PC BOARD "D" MOD
4	R65301450	2	FRONT PC BOARD ENCODER
5	R65301440	1	PC BOARD BUZZER
6	R65321120	1	CORE TEMPERATURE PROBE
7	R65320920	1	CORE TEMPERATURE PROBE FEMALE CONNECTOR
8	R65321020	1	COVER FOR FEMALE CONNECTOR
9	-	1	PLATE
10	R69030260	2	KNOB
11	R70044250	1	CONTROL PANEL GASKET

POS.	CODE	PIECES	DESCRIPTION



POS.	CODE	PIECES	DESCRIPTION
1	R58007020	1	WASHING SYSTEM FLANGE
2	R58007050	1	WASHING SYSTEM INNER ASSEMBLY
3	R65090250	1	WASHING GEARED MOTORS WITH CAPACITOR
4	R65190230	1	CAPACITOR 0,27 μF
5	R65110600	1	DETRGENT PUMP
6	R65110650	1	BOTTOM FILTER
7	R62090508	1	10X1/4 STRAIGHT THREADED TERMINAL PIPE FITTING
8	R62090518	5	10X1/4 END SIDE PIPE FITTING (WITH TANG)
9	R70010050	6	OR GASKETS
10	R65110640	2	ANTI-BACK FLOW
11	R62090528	3	ELBOW PIPE FITTING (WITH TANG) 10 X 10
12	R62090608	1	8X1/8 END SIDE PIPE FITTING (WITH TANG)
13	R62090468	1	"T" MIDLING PIPE FITTING D.10
14	R62090618	1	10-8 REDUCTION PIPE FITTING
15	R62090648	1	ELBOW PIPE FITTING
16	R62090458	1	STRAIGHT MIDLING PIPE FITTING D.10
17	R62090482	1	RAPID MALE PIPE FITTING
18	R62090538	1	1/4" FEMALE STRAIGHT PIPE FITTING FOR D.8X6 PIPE
19	R62090633	1	ELBOW PIPE FITTING BRASS D.10

POS.	CODE	PIECES	DESCRIPTION
20	R62090663	1	ELBOW PIPE FITTING BRASS D.10x1/4"
21	R70070100	1	PE D.8 MM X 6 DETERGENT FLEXIBLE PIPE
22	R70070070	1	PE D.10 MM X7 WATER FLEXIBLE PIPE (3 MT LONG)
23	R70070080	1	PE D.23 MM X13 FLEXIBLE PIPE (1 MT LONG)
24	R70070090	1	PE D.12 MM X7 SILICONE PIPE (1 MT LONG)
25	R65110210	1	SOLENOID VALVE 220V 50HZ
26	R70045120	1	GASKETS KIT
27	R61630011	2	METAL CLAMPS 12-22/9
28	R18210960	1	COOKING CABINET ASSEMBLY
29	R18402070	1	FAN GUARD PANEL ASSEMBLY