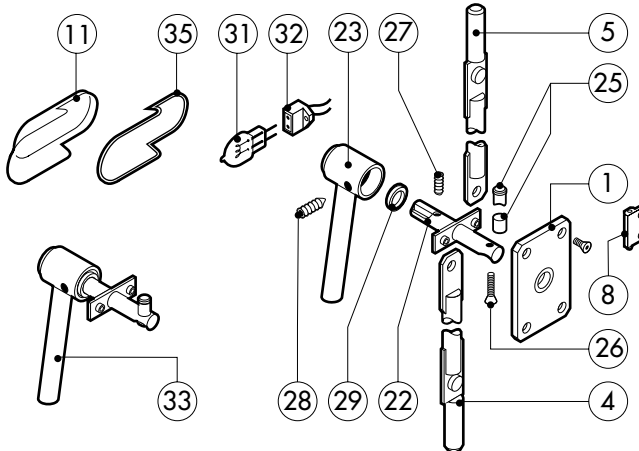
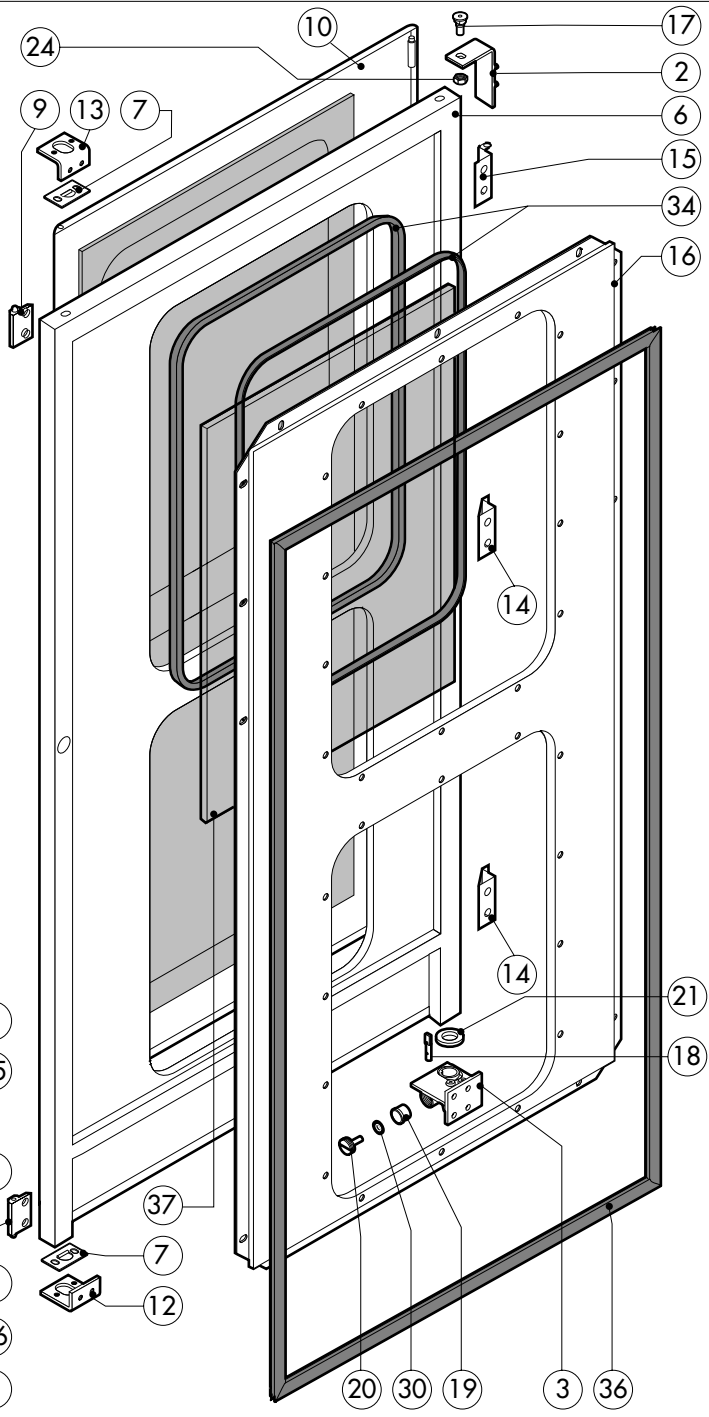
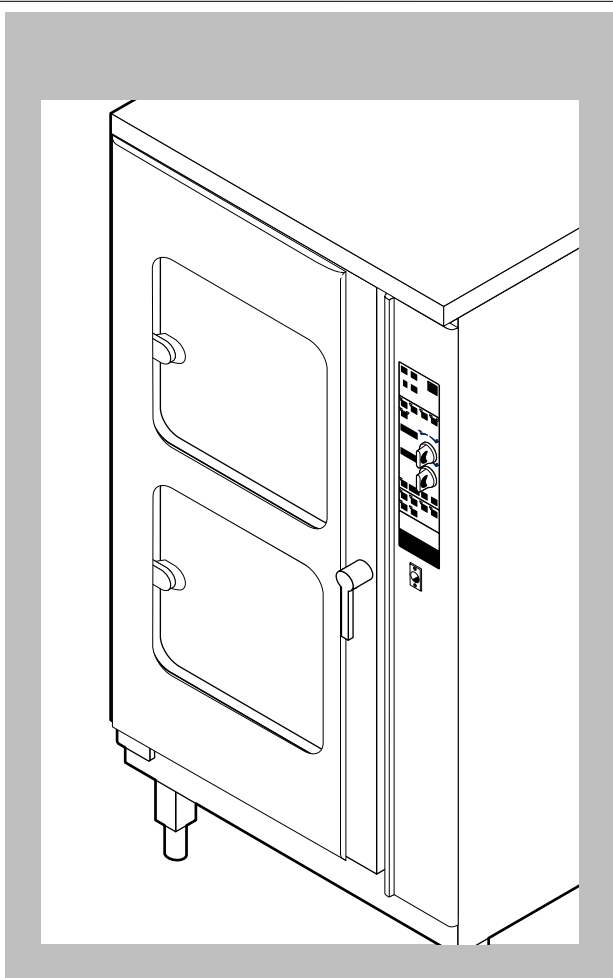


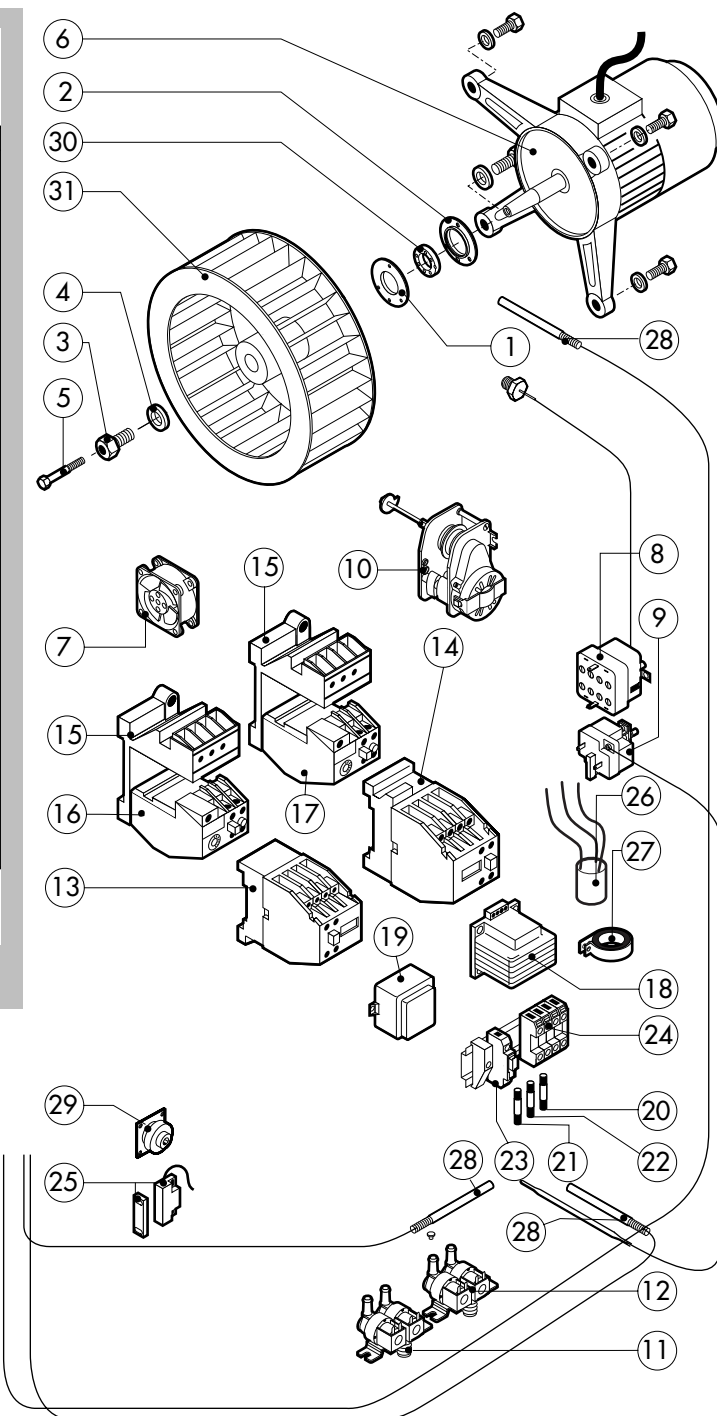
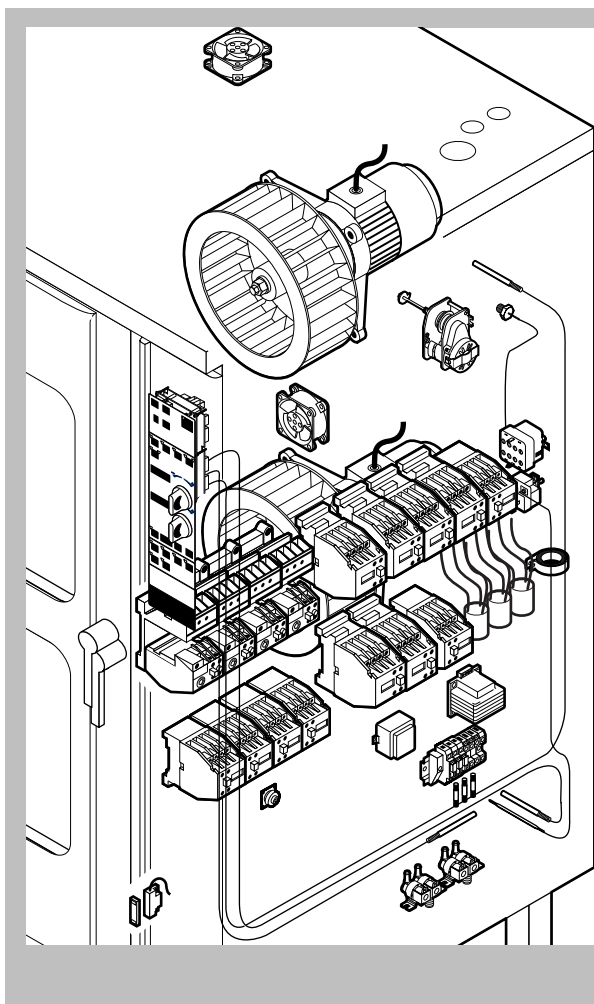
POS.	CODE	PIECES	DESCRIPTION
1	R10104300	1	DOOR ASSEMBLY
2	R10205150	1	CONTROL PANEL
3	R10206480	1	SPRITZER EXTENSION
4	R10206540	1	SPRITZER UNION
5	R10207161	1	COOKING CABINET ASSEMBLY
6	R10207281	1	FAN GUARD PANEL ASSEMBLY
7	R10213560	1	COVER PANEL
8	R10221910	1	RIGHT SIDE PANEL
9	R10221920	1	LEFT SIDE PANEL
10	R10221930	1	REAR PANEL
11	R58003100	2	FAN GUARD FASTENING SCREW
12	R69070070	4	FOOT 1"1/4x120
13	R70043280	1	FRONT GASKET
14	R75300020	2	FAN GUARD GRID Ø 120
15	R75300060	2	FAN GUARD GRID Ø 270
16	R70041150	1	GASKET FOR TROLLEY

POS.	CODE	PIECES	DESCRIPTION



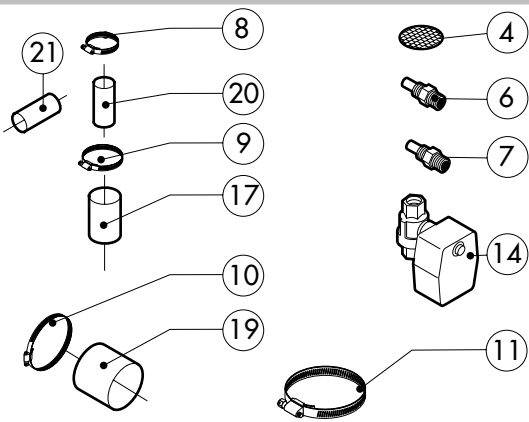
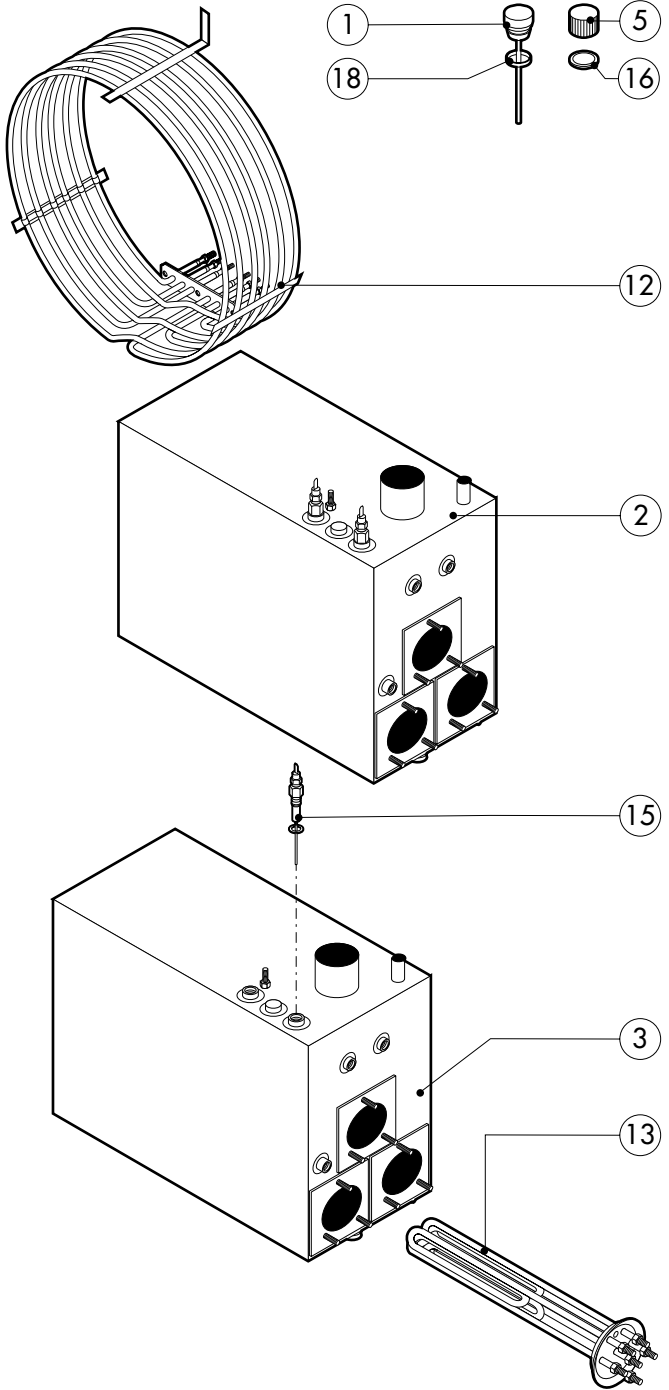
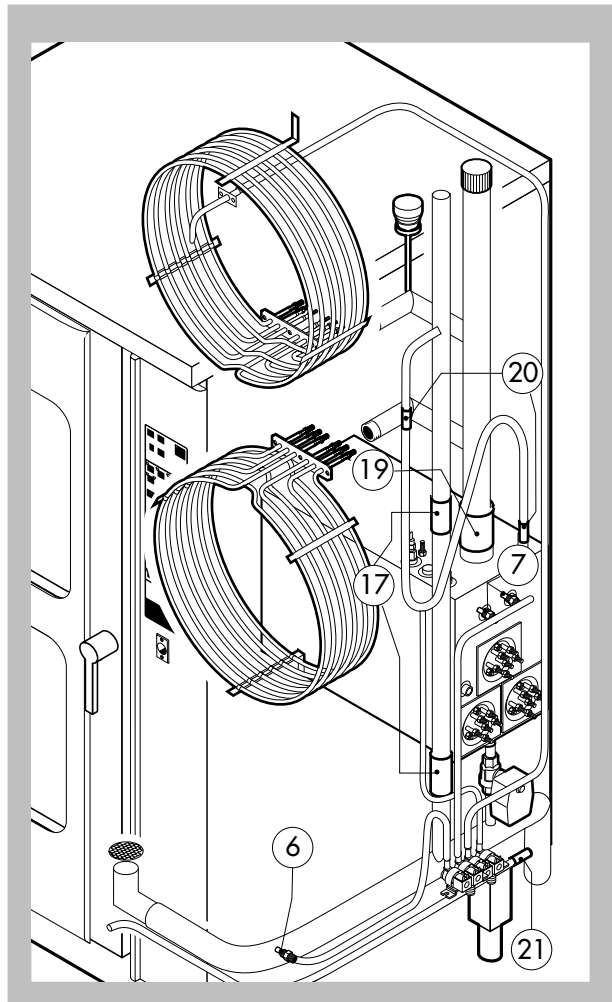
POS.	CODE	PIECES	DESCRIPTION
1	R03200970	1	DOOR LOCK REAR FLANGE
2	R10201290	1	UPPER DOOR HINGE
3	R10201330	1	LOWER DOOR HINGE WITH RETAINER
4	R10202950	1	LOWER DOOR ROD
5	R10202960	1	UPPER DOOR ROD
6	R10208900	1	DOOR
7	R10207680	2	DOOR ROD ADJUSTABLE PLATE
8	R10208290	1	FRONT LOWER DOOR PANEL CATCH
9	R10208300	1	FRONT UPPER DOOR PANEL CATCH
10	R10208340	1	FRONT DOOR PANEL
11	R10400150	2	LIGHT PROTECTION
12	R10411350	1	LOWER SQUARE FOR DOOR ROD
13	R10411360	1	UPPER SQUARE FOR DOOR ROD
14	R10456040	2	LOWER HINGE FOR FRONT DOOR PANEL
15	R10456050	1	UPPER HINGE FOR FRONT DOOR PANEL
16	R10458750	1	INNER DOOR PANEL
17	R58002150	1	HINGE PIN
18	R58002540	1	DOOR PIVOT SUNK KEY
19	R58002550	1	DOOR RETAINER GUIDE SHOE

POS.	CODE	PIECES	DESCRIPTION
20	R58002560	1	SCREW FOR LOWER DOOR HINGE
21	R58002570	1	WASHER Ø 30/15x3
22	R58003180	1	DOOR HANDLE PIN
23	R58003450	1	DOOR HANDLE
24	R58004050	1	NUT FOR UPPER DOOR HINGE
25	R58004781	1	DOOR HANDLE HOOK
26	R61040272	1	DOOR HANDLE HOOK SCREW
27	R61090052	1	GRUB SCREW M6x16
28	R61100262	1	GRUB SCREW M8x20
29	R61420021	1	ELASTIC WASHER
30	R61620091	16	BELLEVILLE WASHER Ø 14/6.4
31	R65270020	2	LIGHT 20W 12V G4
32	R65270400	2	LIGHT SOCKET
33	R69015050	1	DOOR HANDLE ASSEMBLY
34	R70040200	4	GLASS GASKET
35	R70040800	2	LIGHT PROTECTION GASKET
36	R70042150	1	DOOR GASKET
37	R71030120	2	DOOR GLASS



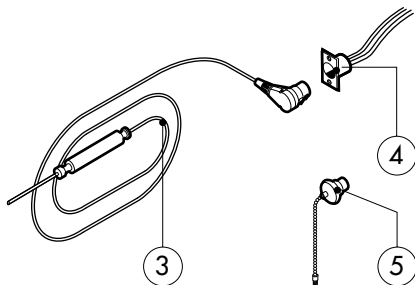
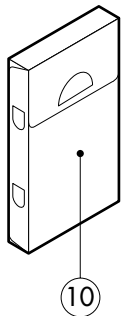
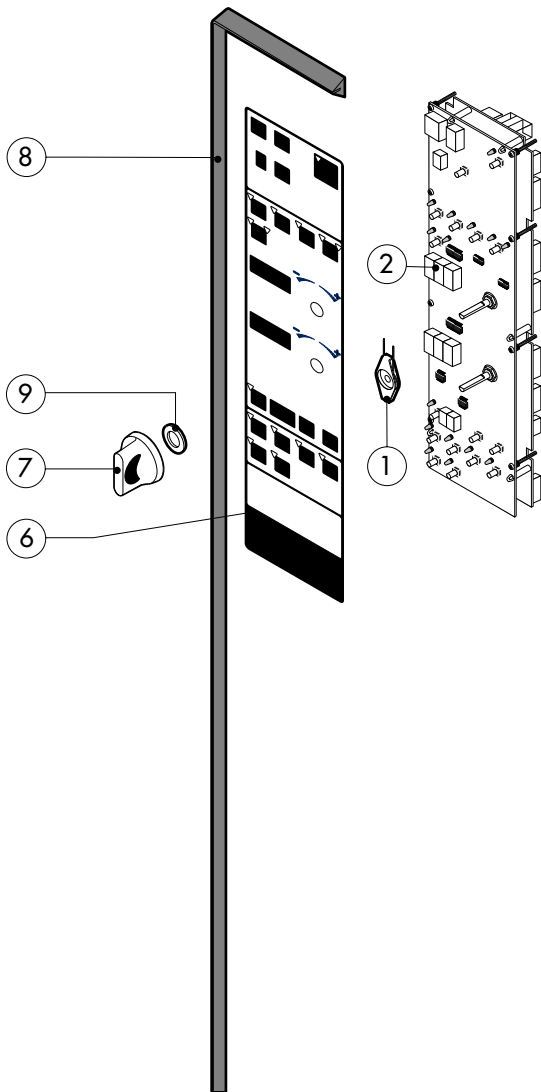
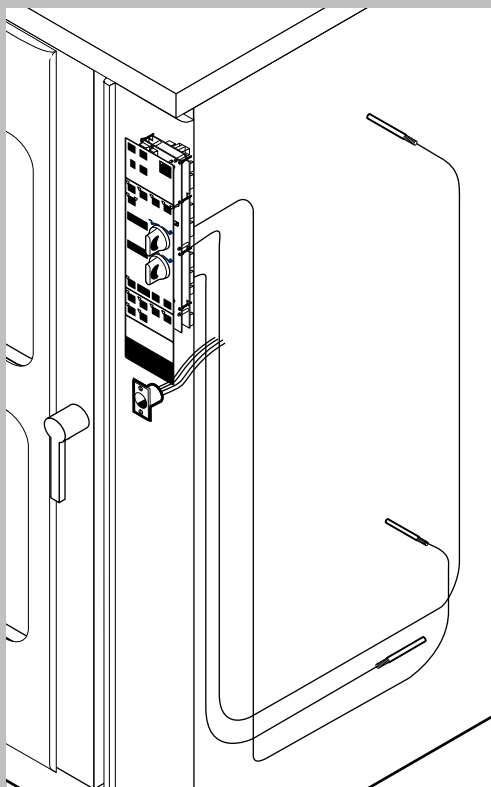
POS.	CODE	PIECES	DESCRIPTION
1	R58003840	2	MOTOR GASKET BRASS FLANGE
2	R58003850	2	MOTOR GASKET BRASS COUNTER FLANGE
3	R58004000	2	FAN SCREW M12x1.5 SX
4	R58004010	2	FAN WASHER Ø 30/12.5
5	R61020562	2	FAN SCREW TE A2 M6x55
6	R65040051	2	MOTOR HP 1/0.3 KIT
7	R65060050	2	COMPONENTS VENTILATION MOTOR Ø 120
8	R65070070	1	CHAMBER SAFETY THERMOSTAT
9	R65070080	1	STEAM GENERATOR SAFETY THERMOSTAT
10	R65095000	1	DAMPER SYSTEM
11	R65110040	1	SOLENOID VALVE 220V 50HZ
12	R65115000	1	SOLENOID VALVE 220V 50HZ WITH FLOW REDUCER
13	R65140150	6	CONTACTOR 3TF4011-OAUO 240V
14	R65140240	6	CONTACTOR 3TF4211-OAUO 240V
15	R65160050	4	THERMIC SWITCH SUPPORT 3UX1418
16	R65160110	2	THERMIC PROTECTION 3UA5000-0J 0.63-1A
17	R65160120	2	THERMIC PROTECTION 3UA5000-1C 1.6-2.5A
18	R65180430	1	TRANSFORMER 40VA
19	R65180650	1	TRANSFORMER 23VA

POS.	CODE	PIECES	DESCRIPTION
20	R65200200	1	FUSE 2A
21	R65200320	1	FUSE 0.2A (T)
22	R65200350	1	FUSE 0.4A (T)
23	R65210020	3	FUSE CARRIER
24	R65220130	1	TERMINAL BOARD
25	R65265100	1	DOOR SWITCH
26	R65280200	3	INTERFERENCE SUPPRESSOR
27	R65280450	1	FERRITE
28	R65325000	3	PROBE PT100
29	R65330040	1	BUZZER
30	R70020050	2	MOTOR GASKET
31	R75400290	2	FAN Ø 300x120/20 50HZ P.D. KIT



POS.	CODE	PIECES	DESCRIPTION
1	R10100140	1	DAMPER SYSTEM CAP
2	R10102710	1	STEAM GENERATOR ASSEMBLY
3	R10200930	1	STEAM GENERATOR
4	R10201710	1	DRAIN FILTER
5	R58005680	1	STEAM GENERATOR DESCALING CAP 1"1/4 F
6	R58006080	1	STEAM QUENCHING NOZZLE Ø 2
7	R58006110	2	STEAM GENERATOR FLUSHING NOZZLE
8	R61630011	14	METAL CLAMPS 12-22/9
9	R61630021	2	METAL CLAMPS 30-45/9
10	R61630031	2	METAL CLAMPS 40-60/9
11	R61630071	4	METAL CLAMPS 110-130/9
12	R65011310	2	CHAMBER HEATING ELEMENT 15000W
13	R65020350	3	STEAM GENERATOR HEATING ELEMENT 7500W
14	R65110540	1	STEAM GENERATOR DRAIN MOTORIZED VALVE
15	R65320010	2	STEAM GENERATOR LEVEL PROBE
16	R70050040	1	STEAM GENERATOR CAP GASKET
17	R70060010	2	SILICON COUPLING Ø 30
18	R70060020	1	DAMPER SYSTEM CAP GASKET
19	R70060040	1	SILICON COUPLING Ø 50

POS.	CODE	PIECES	DESCRIPTION
20	R70060060	2	SILICON COUPLING Ø 15
21	R70060080	1	SILICON COUPLING Ø 13



POS.	CODE	PIECES	DESCRIPTION
1	R10205120	2	KNOB SPRING
2	R65300820	1	CONTROL PANEL P.C. BOARD
3	R65320900	1	CORE TEMPERATURE PROBE
4	R65320920	1	CORE TEMPERATURE PROBE FEMALE CONNECTOR
5	R65321020	1	COVER FOR FEMALE CONNECTOR
6	R67010660	1	LAINOX PLATE
7	R69030150	2	KNOB KIT
8	R70040850	1	CONTROL PANEL GASKET
9	R70050020	4	KNOB GASKET
10	R86020420	1	CORE TEMPERATURE PROBE BOX

POS.	CODE	PIECES	DESCRIPTION