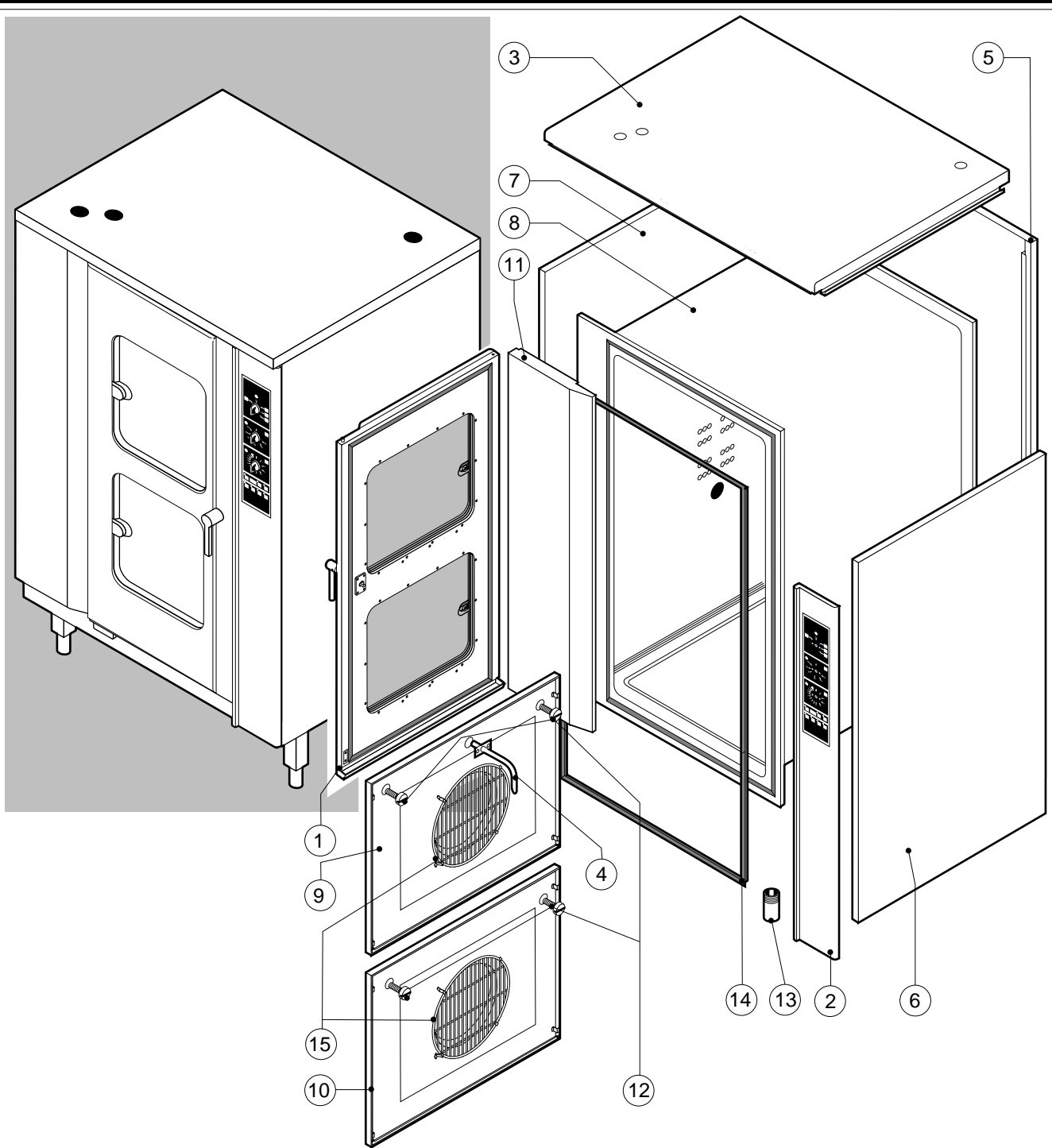
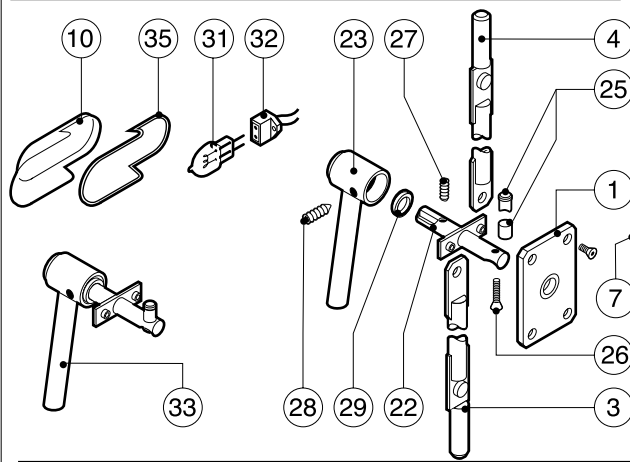
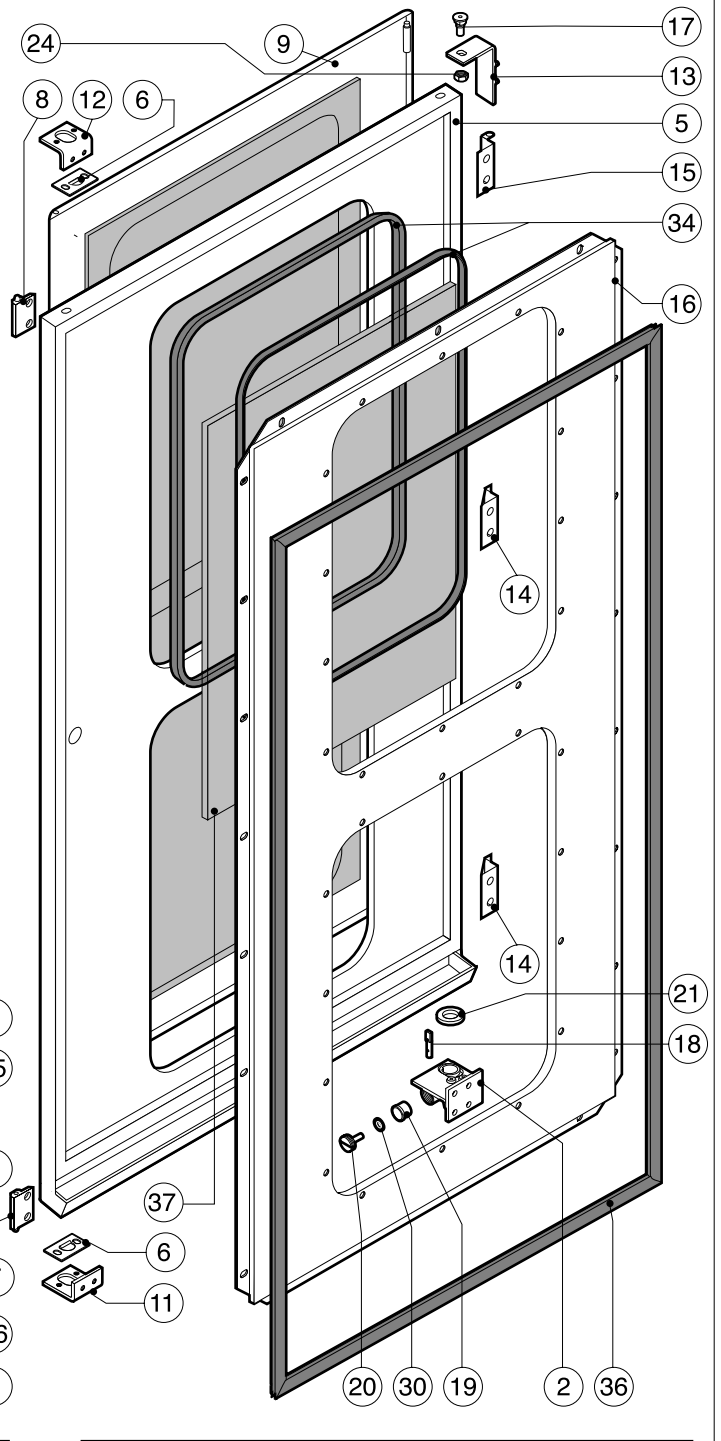
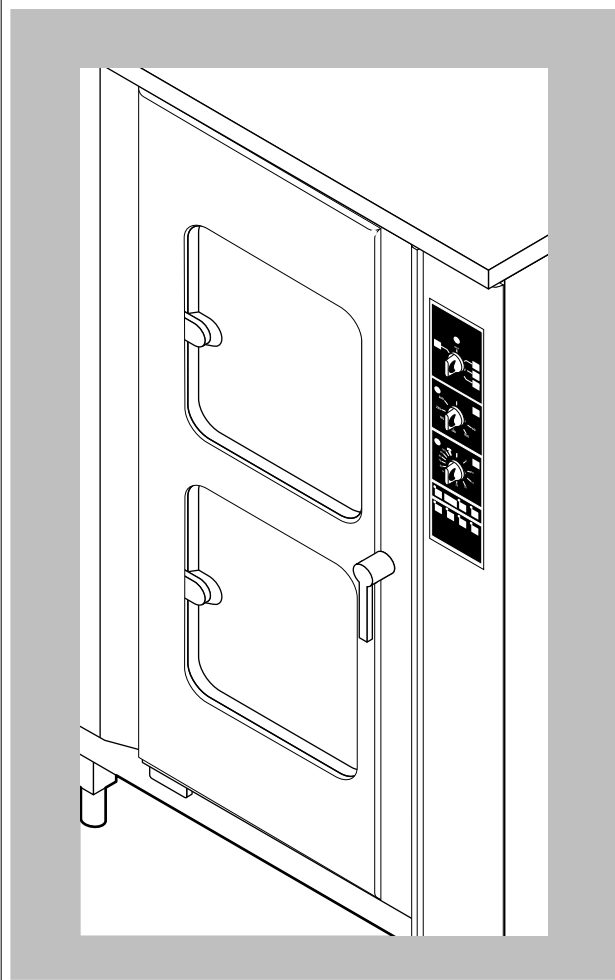


016 40 004 12011 241097 DONADINI & C



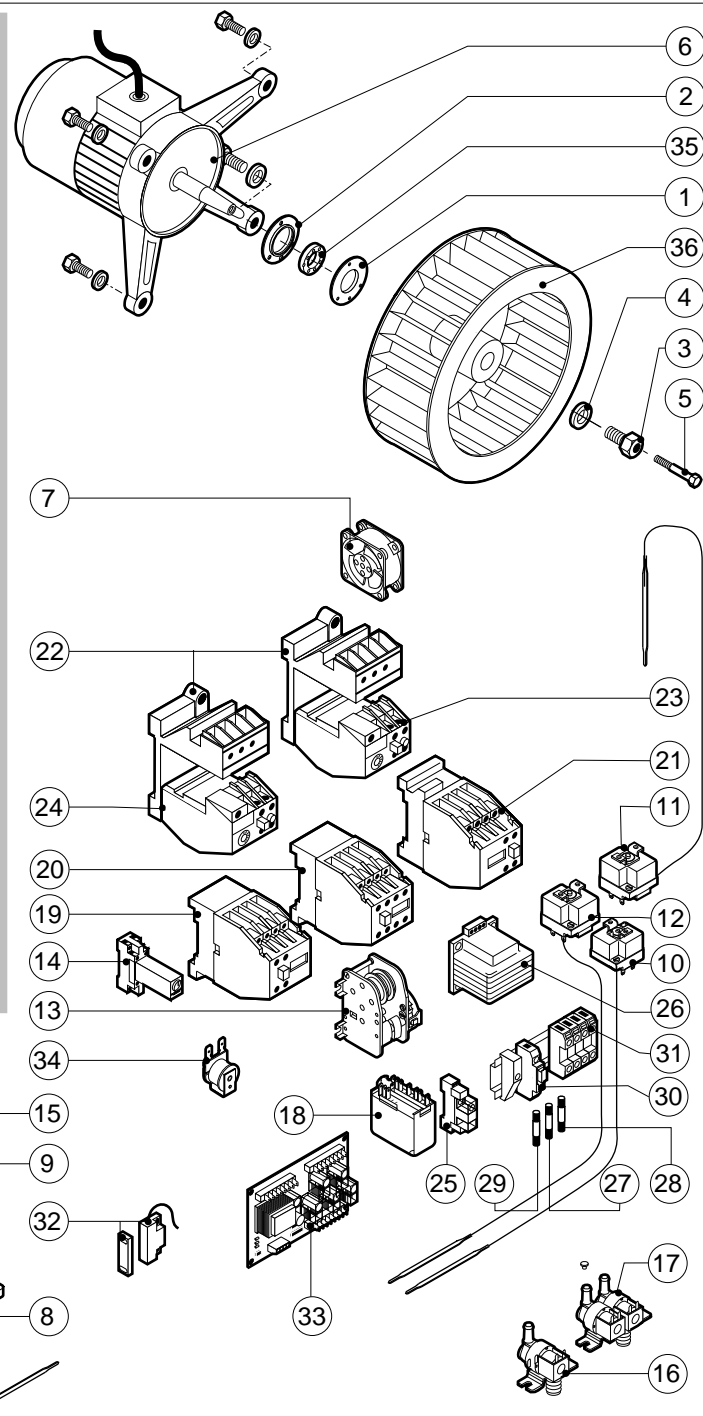
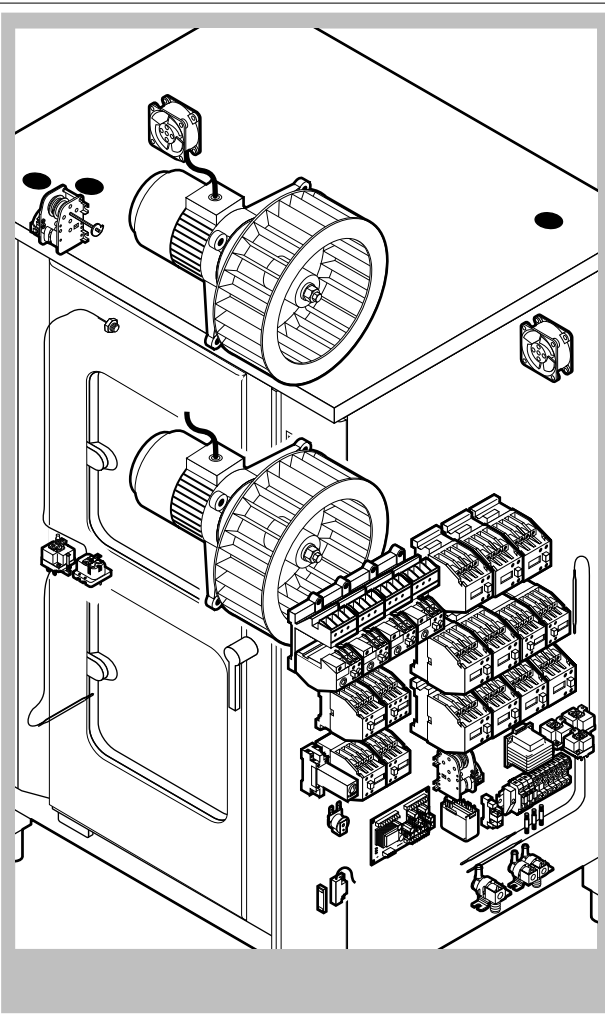
POS.	CODE	PIECES	DESCRIPTION
1	R10104290	1	DOOR ASSEMBLY
2	R10104570	1	CONTROL PANEL WITH PLATE
3	R10200430	1	COVER PANEL
4	R10201220	1	HUMIDIFIER PIPE
5	R10201640	1	REAR PANEL
6	R10201670	1	RIGHT SIDE PANEL
7	R10201680	1	LEFT SIDE PANEL
8	R10207181	1	COOKING CABINET ASSEMBLY
9	R10207291	1	UPPER FAN GUARD PANEL ASSEMBLY
10	R10207321	1	LOWER FAN GUARD PANEL ASSEMBLY
11	R10207710	1	FRONT LEFT PANEL
12	R58003100	4	FAN GUARD FASTENING SCREW
13	R69070020	4	FOOT 1"1/2x133
14	R70041020	1	FRONT GASKET
15	R75300090	2	FAN GUARD GRID Ø 350

POS.	CODE	PIECES	DESCRIPTION



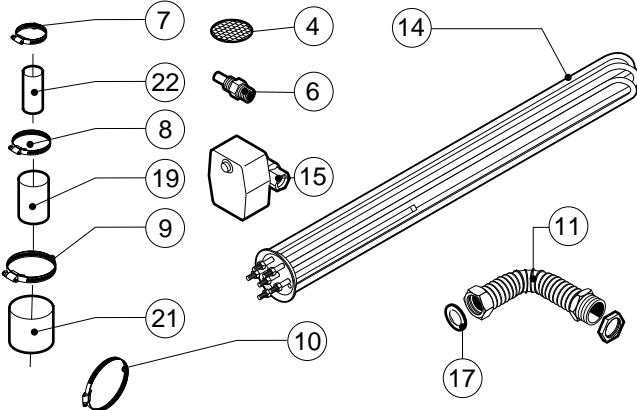
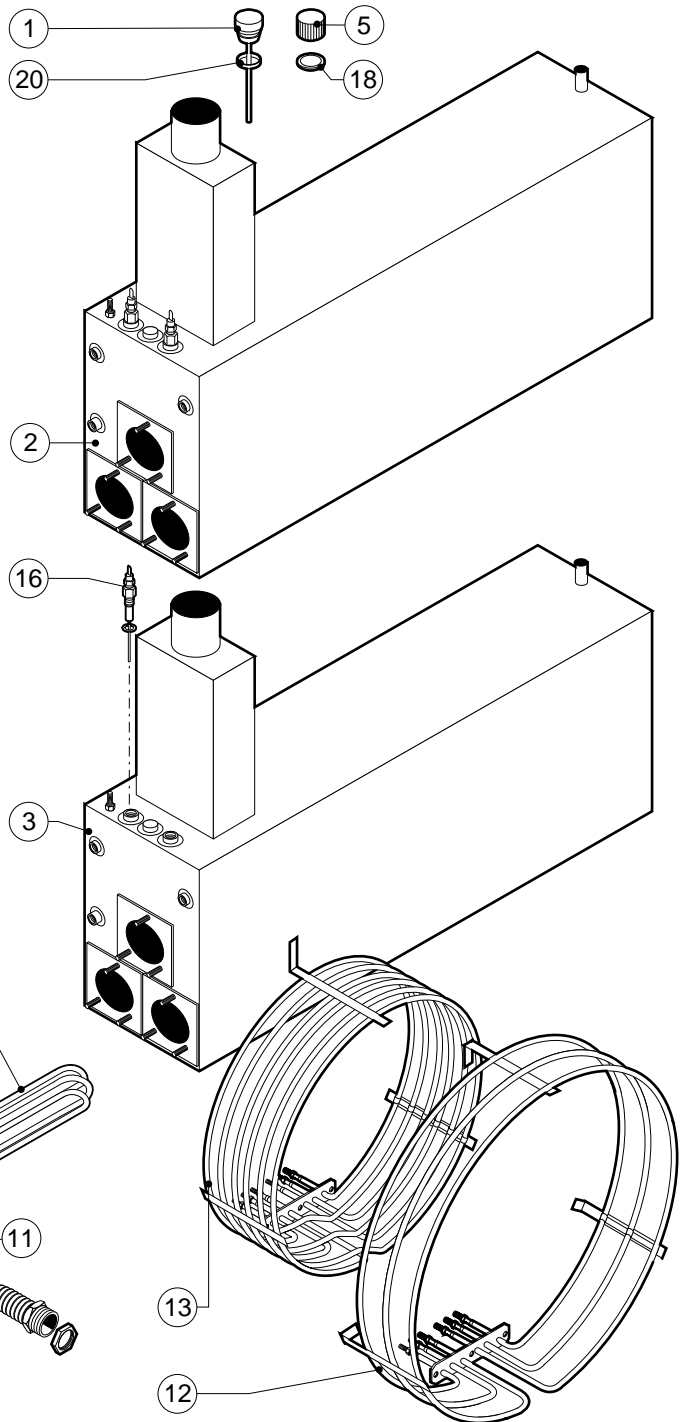
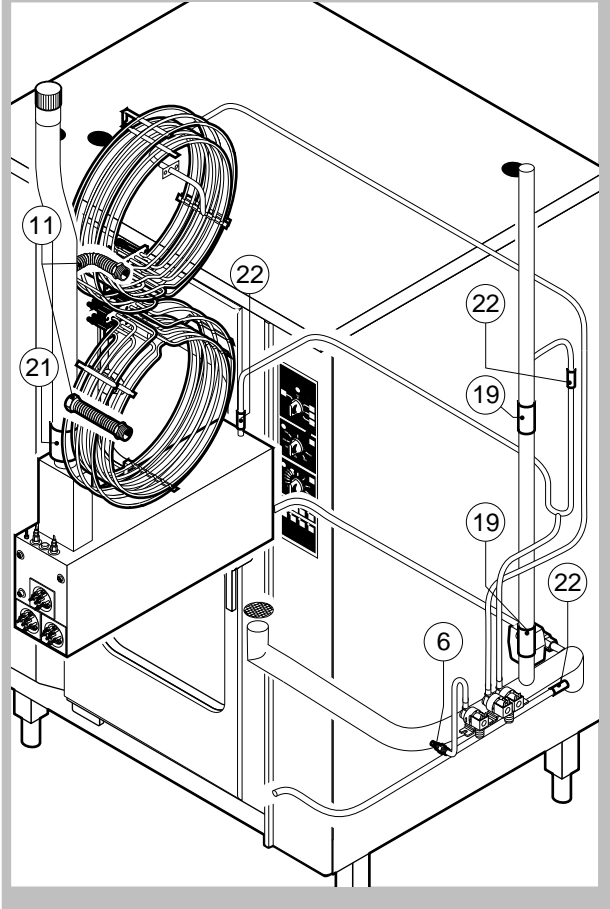
POS.	CODE	PIECES	DESCRIPTION
1	R03200970	1	DOOR LOCK REAR FLANGE
2	R10201330	1	LOWER DOOR HINGE WITH RETAINER
3	R10202950	1	LOWER DOOR ROD
4	R10202960	1	UPPER DOOR ROD
5	R10207640	1	DOOR
6	R10207680	2	DOOR ROD ADJUSTABLE PLATE
7	R10208290	1	FRONT LOWER DOOR PANEL CATCH
8	R10208300	1	FRONT UPPER DOOR PANEL CATCH
9	R10208350	1	FRONT DOOR PANEL
10	R10400150	2	LIGHT PROTECTION
11	R10411350	1	LOWER SQUARE FOR DOOR ROD
12	R10411360	1	UPPER SQUARE FOR DOOR ROD
13	R10413290	1	UPPER DOOR HINGE
14	R10456040	2	LOWER HINGE FOR FRONT DOOR PANEL
15	R10456050	1	UPPER HINGE FOR FRONT DOOR PANEL
16	R10456510	1	INNER DOOR PANEL
17	R58002150	1	HINGE PIN
18	R58002540	1	DOOR PIVOT SUNK KEY
19	R58002550	1	DOOR RETAINER GUIDE SHOE

POS.	CODE	PIECES	DESCRIPTION
20	R58002560	1	SCREW FOR LOWER DOOR HINGE
21	R58002570	1	WASHER Ø 30/15x3
22	R58003180	1	DOOR HANDLE PIN
23	R58003450	1	DOOR HANDLE
24	R58004050	1	NUT FOR UPPER DOOR HINGE
25	R58004781	1	DOOR HANDLE HOOK
26	R61040242	1	DOOR HANDLE HOOK SCREW
27	R61090052	1	GRUB SCREW M6x16
28	R61100262	1	GRUB SCREW M8x20
29	R61420021	1	ELASTIC WASHER
30	R61620091	16	BELLEVILLE WASHER Ø 14/6.4
31	R65270020	2	LIGHT 20W 12V G4
32	R65270400	2	LIGHT SOCKET
33	R69015050	1	DOOR HANDLE ASSEMBLY
34	R70040200	4	GLASS GASKET
35	R70040800	2	LIGHT PROTECTION GASKET
36	R70042050	1	DOOR GASKET
37	R71030120	2	DOOR GLASS



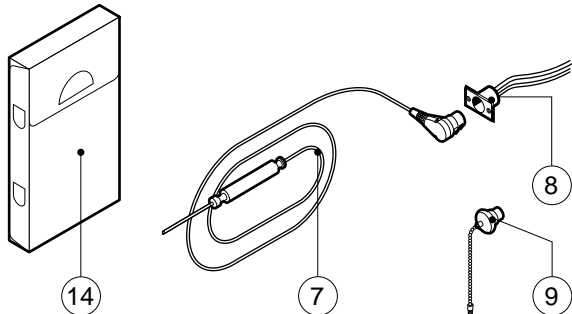
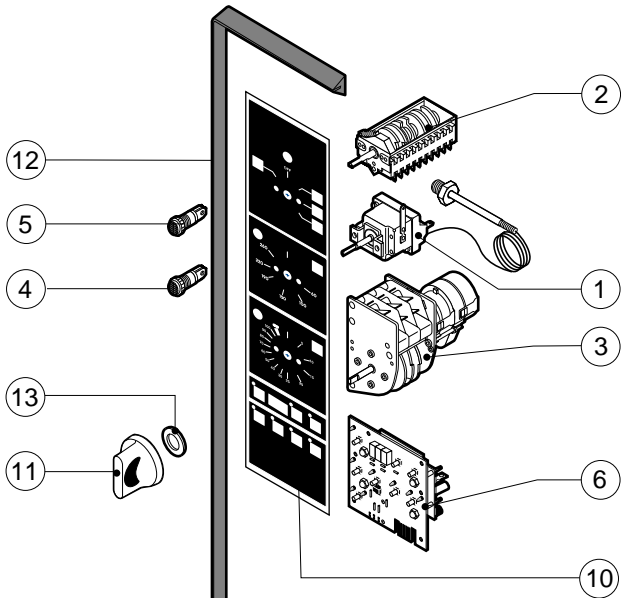
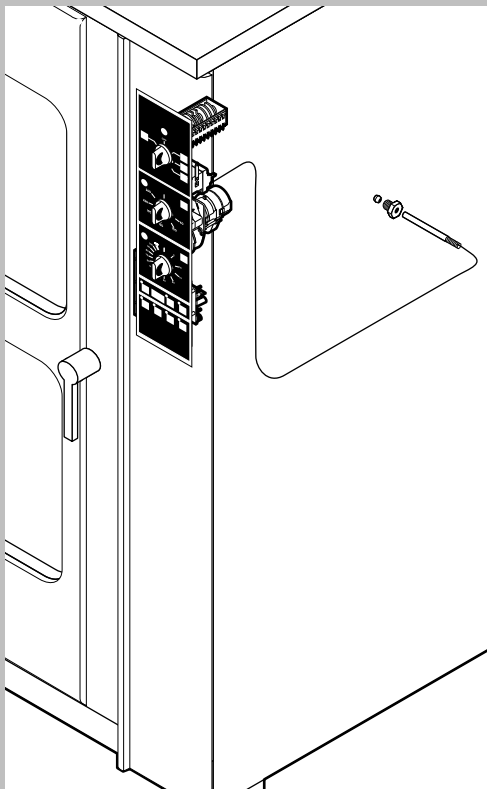
POS.	CODE	PIECES	DESCRIPTION
1	R58003840	2	MOTOR GASKET BRASS FLANGE
2	R58003850	2	MOTOR GASKET BRASS COUNTER FLANGE
3	R58004000	2	FAN SCREW M12x1.5 SX
4	R58004010	2	FAN WASHER Ø 30/12.5
5	R61020562	2	FAN SCREW TE A2 M6x55
6	R65040051	2	MOTOR HP 1/0.3 KIT
7	R65060010	2	COMPONENTS VENTILATION MOTOR Ø 80
8	R65070070	1	CHAMBER SAFETY THERMOSTAT
9	R65070080	1	STEAM GENERATOR SAFETY THERMOSTAT
10	R65070100	1	THERMOSTAT 55°C
11	R65070165	1	THERMOSTAT 65°C
12	R65070240	1	THERMOSTAT 70°C
13	R65090190	1	REVERSING SWITCH 8'
14	R65090460	1	S.GENERATOR DRAIN TIMER FINDER MOD.85.32
15	R65095010	1	DAMPER SYSTEM
16	R65110010	1	SOLENOID VALVE 220V 50HZ
17	R65115000	1	SOLENOID VALVE 220V 50HZ WITH FLOW REDUCER
18	R65120010	1	LEVEL REGULATOR
19	R65140150	5	CONTACTOR 3TF4011-OAUO 240V

POS.	CODE	PIECES	DESCRIPTION
20	R65140170	1	CONTACTOR 3TF4022-OAUO 240V
21	R65140240	9	CONTACTOR 3TF4211-OAUO 240V
22	R65160050	4	THERMIC SWITCH SUPPORT 3UX1418
23	R65160110	2	THERMIC PROTECTION 3UA5000-0J 0.63-1A
24	R65160120	2	THERMIC PROTECTION 3UA5000-1C 1.6-2.5A
25	R65170050	1	RELAY 4052 240V AC 10A
26	R65180430	1	TRANSFORMER 40VA
27	R65200086	1	FUSE 0.125A (T)
28	R65200200	1	FUSE 2A
29	R65200350	1	FUSE 0.4A (T)
30	R65210020	3	FUSE CARRIER
31	R65220130	1	TERMINAL BOARD
32	R65265100	1	DOOR SWITCH
33	R65300520	1	RELAYS P.C. BOARD
34	R65330010	1	BUZZER
35	R70020050	2	MOTOR GASKET
36	R75400380	2	FAN Ø 350x120/24 50HZ P.D. KIT



POS.	CODE	PIECES	DESCRIPTION
1	R10100140	1	DAMPER SYSTEM CAP
2	R10102780	1	STEAM GENERATOR ASSEMBLY
3	R10200940	1	STEAM GENERATOR
4	R10201720	1	DRAIN FILTER
5	R58005680	1	STEAM GENERATOR DESCALING CAP 1"1/4 F
6	R58006080	1	STEAM QUENCHING NOZZLE Ø 2
7	R61630011	12	METAL CLAMPS 12-22/9
8	R61630021	2	METAL CLAMPS 30-45/9
9	R61630031	2	METAL CLAMPS 40-60/9
10	R61630041	4	METAL CLAMPS 70-90/9
11	R62180032	2	FLEXIBLE STEEL PIPE Ø 1"1/4 ASSEMBLY
12	R65011210	2	CHAMBER HEATING ELEMENT 9000W
13	R65011310	2	CHAMBER HEATING ELEMENT 15000W
14	R65020420	3	STEAM GENERATOR HEATING ELEMENT 15000W
15	R65110540	1	STEAM GENERATOR DRAIN MOTORIZED VALVE
16	R65320010	2	STEAM GENERATOR LEVEL PROBE
17	R70030080	2	GASKET Ø 27x39 1"1/4
18	R70050040	1	STEAM GENERATOR CAP GASKET
19	R70060010	2	SILICON COUPLING Ø 30

POS.	CODE	PIECES	DESCRIPTION
20	R70060020	1	DAMPER SYSTEM CAP GASKET
21	R70060040	1	SILICON COUPLING Ø 50
22	R70060060	3	SILICON COUPLING Ø 15



POS.	CODE	PIECES	DESCRIPTION
1	R65070210	1	CABINET THERMOSTAT 50/270°C
2	R65080020	1	MAIN SELECTOR SWITCH
3	R65090200	1	TIMER
4	R65270220	2	ORANGE INDICATING LIGHT
5	R65270230	1	GREEN INDICATING LIGHT
6	R65300570	1	CONTROL PANEL P.C. BOARD
7	R65320900	1	CORE TEMPERATURE PROBE
8	R65320920	1	CORE TEMPERATURE PROBE FEMALE CONNECTOR
9	R65321020	1	COVER FOR FEMALE CONNECTOR
10	R67010630	1	LAINOX PLATE
11	R69030150	3	KNOB KIT
12	R70040850	1	CONTROL PANEL GASKET
13	R70050020	6	KNOB GASKET
14	R86020420	1	CORE TEMPERATURE PROBE BOX

POS.	CODE	PIECES	DESCRIPTION