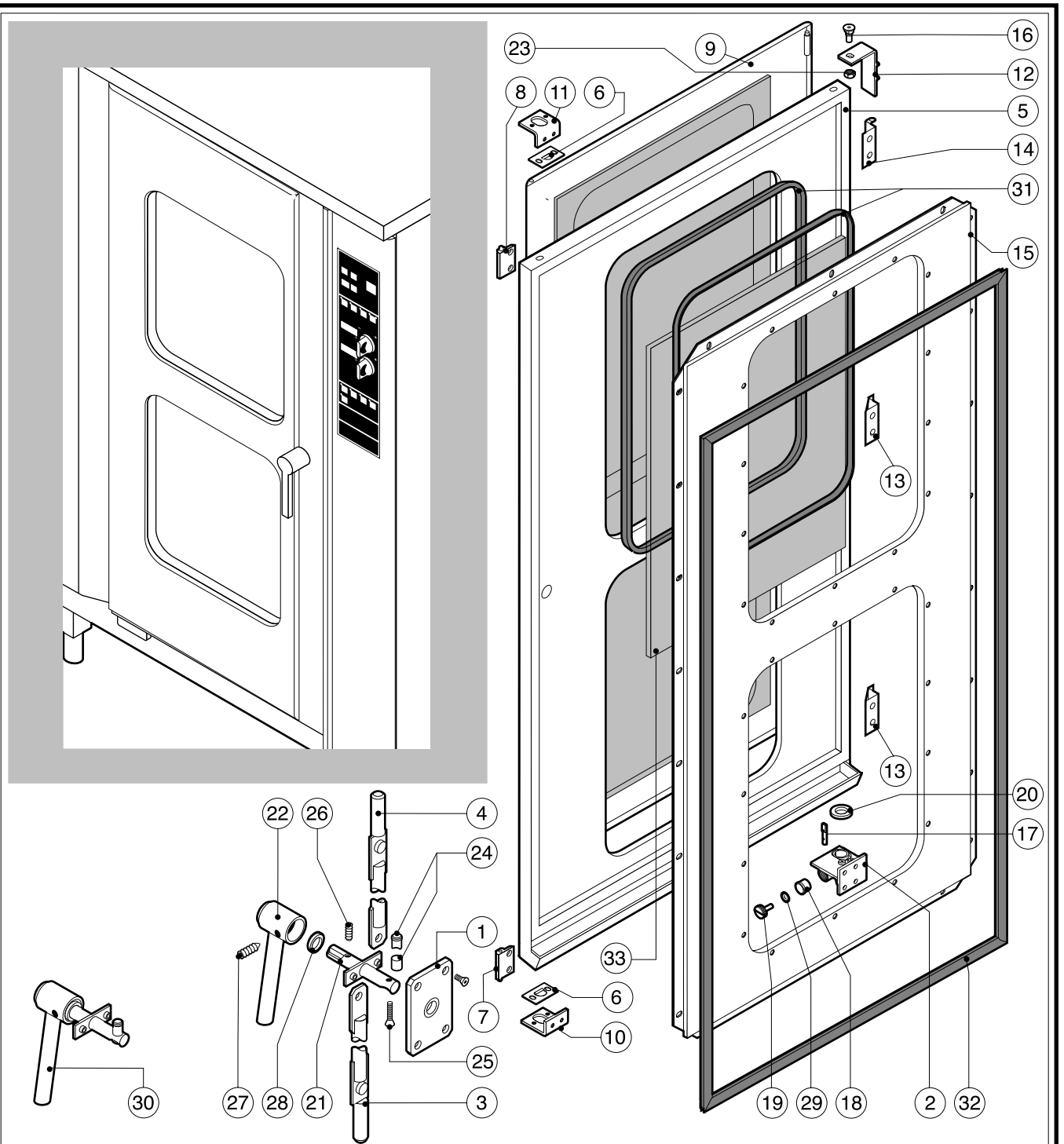


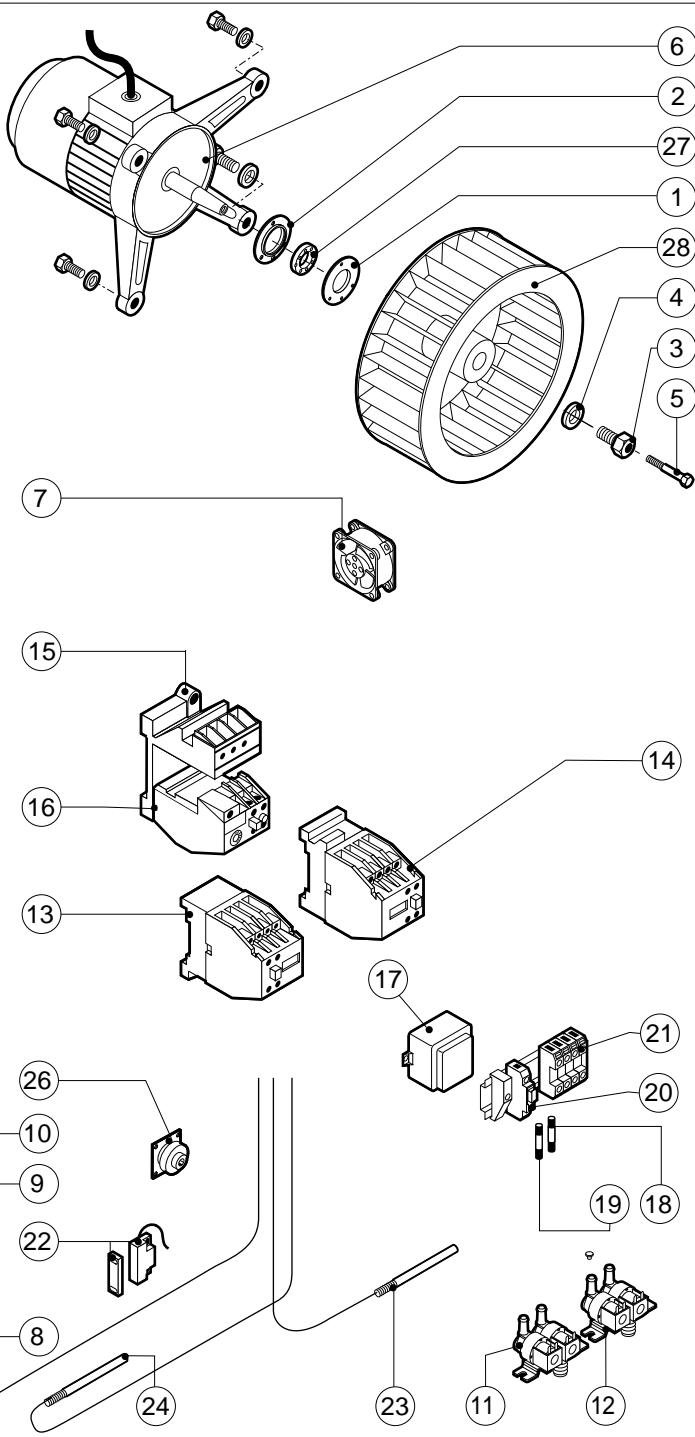
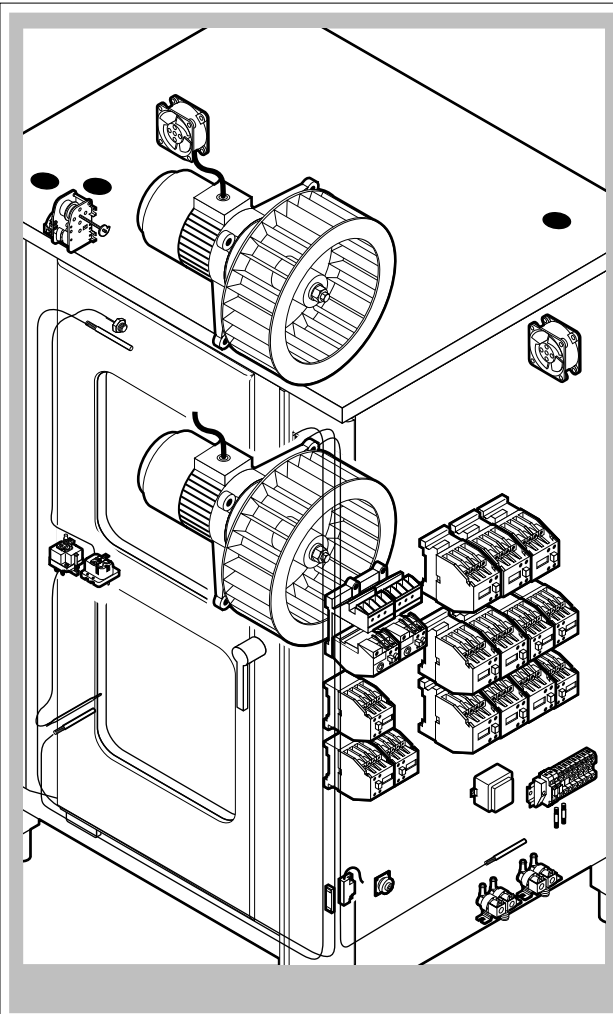
POS.	CODE	PIECES	DESCRIPTION
1	R10104280	1	DOOR ASSEMBLY
2	R10104620	1	CONTROL PANEL WITH PLATE
3	R10200430	1	COVER PANEL
4	R10201220	1	HUMIDIFIER PIPE
5	R10201640	1	REAR PANEL
6	R10201670	1	RIGHT SIDE PANEL
7	R10201680	1	LEFT SIDE PANEL
8	R10207181	1	COOKING CABINET ASSEMBLY
9	R10207291	1	UPPER FAN GUARD PANEL ASSEMBLY
10	R10207321	1	LOWER FAN GUARD PANEL ASSEMBLY
11	R10207710	1	FRONT LEFT PANEL
12	R58003100	4	FAN GUARD FASTENING SCREW
13	R69070020	4	FOOT 1"1/2x133
14	R70041020	1	FRONT GASKET
15	R75300090	2	FAN GUARD GRID Ø 350

POS.	CODE	PIECES	DESCRIPTION



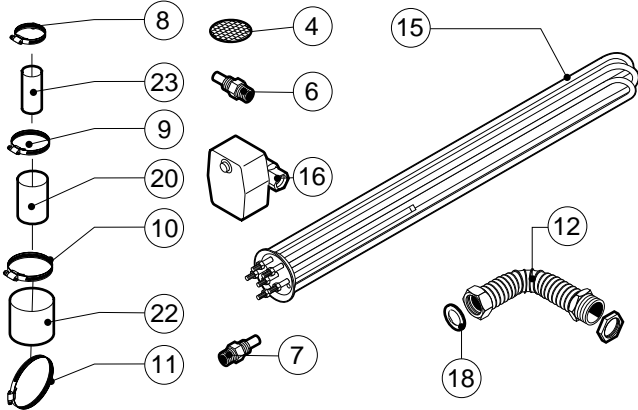
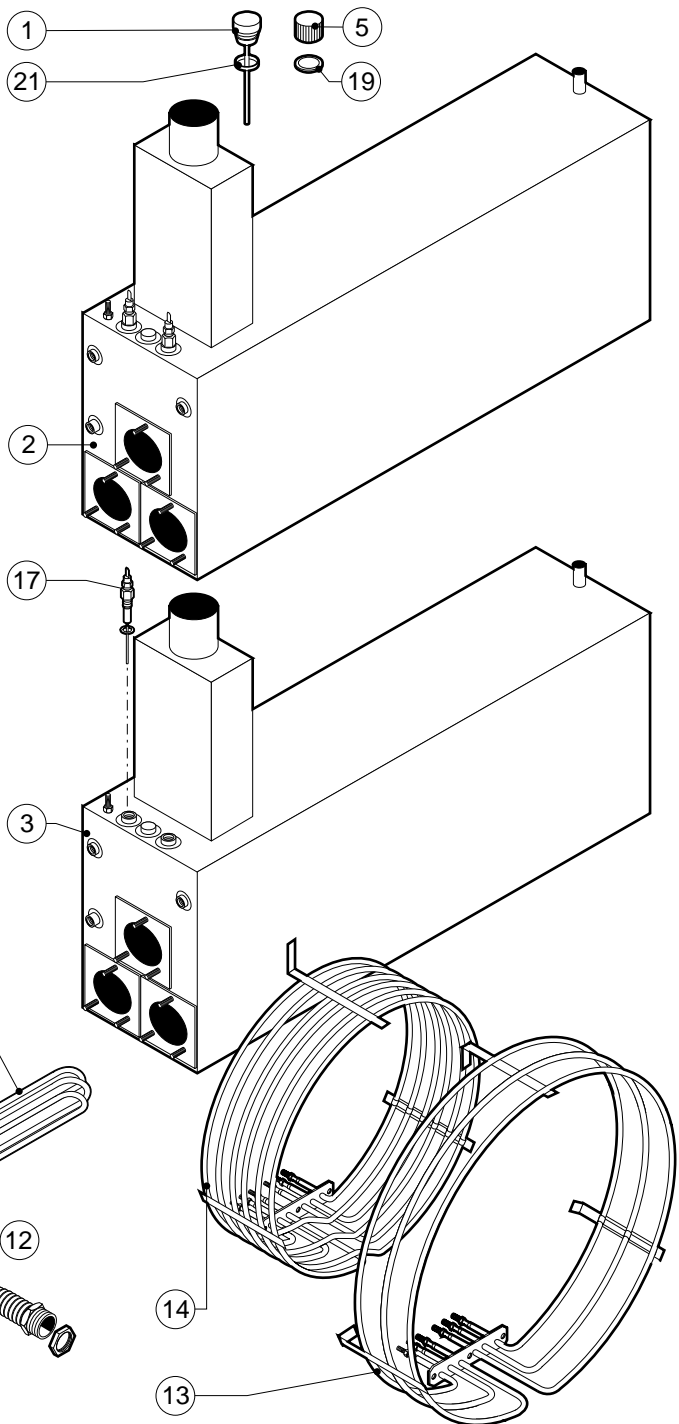
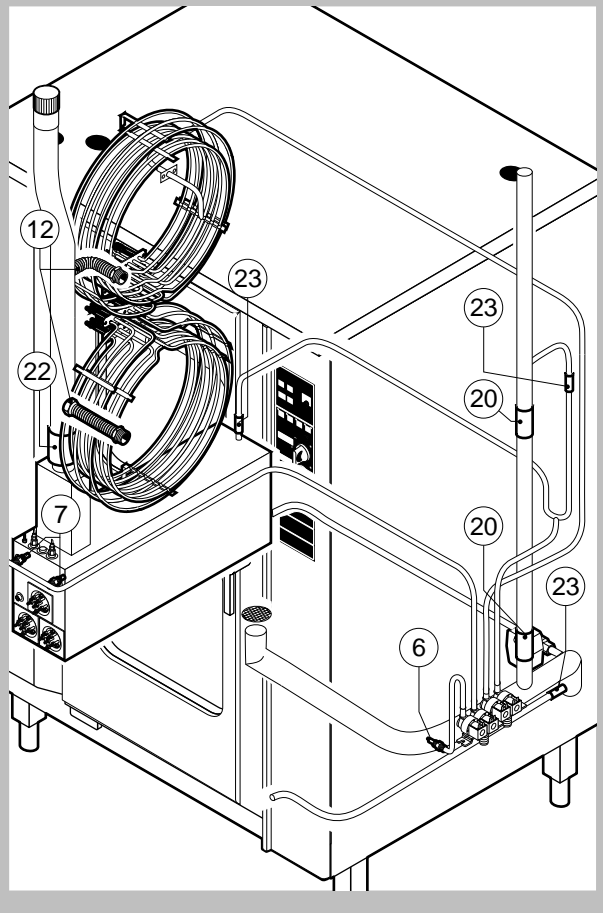
POS.	CODE	PIECES	DESCRIPTION
1	R03200970	1	DOOR LOCK REAR FLANGE
2	R10201330	1	LOWER DOOR HINGE WITH RETAINER
3	R10202950	1	LOWER DOOR ROD
4	R10202960	1	UPPER DOOR ROD
5	R10207640	1	DOOR
6	R10207680	2	DOOR ROD ADJUSTABLE PLATE
7	R10208290	1	FRONT LOWER DOOR PANEL CATCH
8	R10208300	1	FRONT UPPER DOOR PANEL CATCH
9	R10208350	1	FRONT DOOR PANEL
10	R10411350	1	LOWER SQUARE FOR DOOR ROD
11	R10411360	1	UPPER SQUARE FOR DOOR ROD
12	R10413290	1	UPPER DOOR HINGE
13	R10456040	2	LOWER HINGE FOR FRONT DOOR PANEL
14	R10456050	1	UPPER HINGE FOR FRONT DOOR PANEL
15	R10456510	1	INNER DOOR PANEL
16	R58002150	1	HINGE PIN
17	R58002540	1	DOOR PIVOT SUNK KEY
18	R58002550	1	DOOR RETAINER GUIDE SHOE
19	R58002560	1	SCREW FOR LOWER DOOR HINGE

POS.	CODE	PIECES	DESCRIPTION
20	R58002570	1	WASHER Ø 30/15x3
21	R58003180	1	DOOR HANDLE PIN
22	R58003450	1	DOOR HANDLE
23	R58004050	1	NUT FOR UPPER DOOR HINGE
24	R58004781	1	DOOR HANDLE HOOK
25	R61040242	1	DOOR HANDLE HOOK SCREW
26	R61090052	1	GRUB SCREW M6x16
27	R61100262	1	GRUB SCREW M8x20
28	R61420021	1	ELASTIC WASHER
29	R61620091	16	BELLEVILLE WASHER Ø 14/6.4
30	R69015050	1	DOOR HANDLE ASSEMBLY
31	R70040200	4	GLASS GASKET
32	R70042050	1	DOOR GASKET
33	R71030120	2	DOOR GLASS



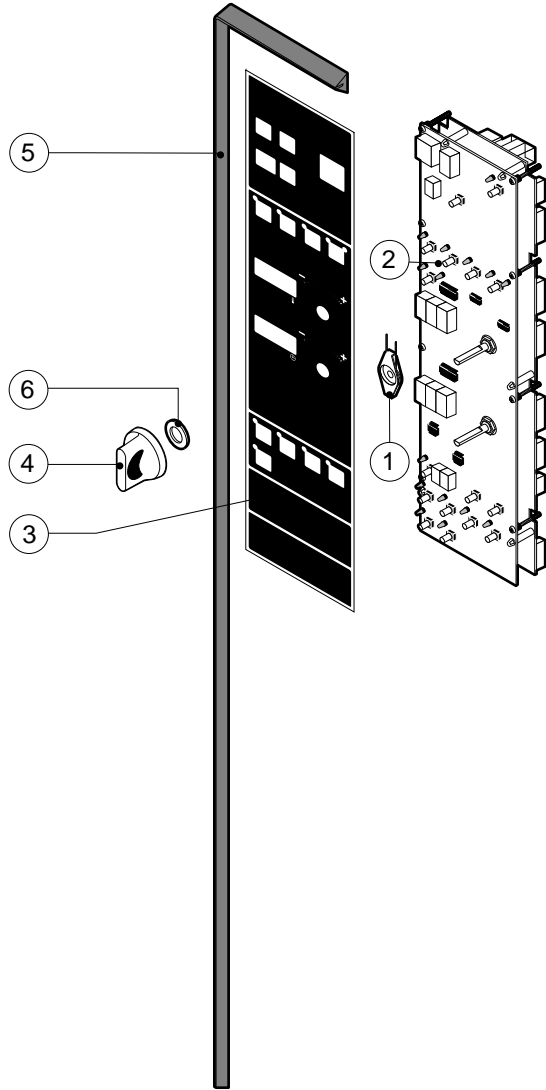
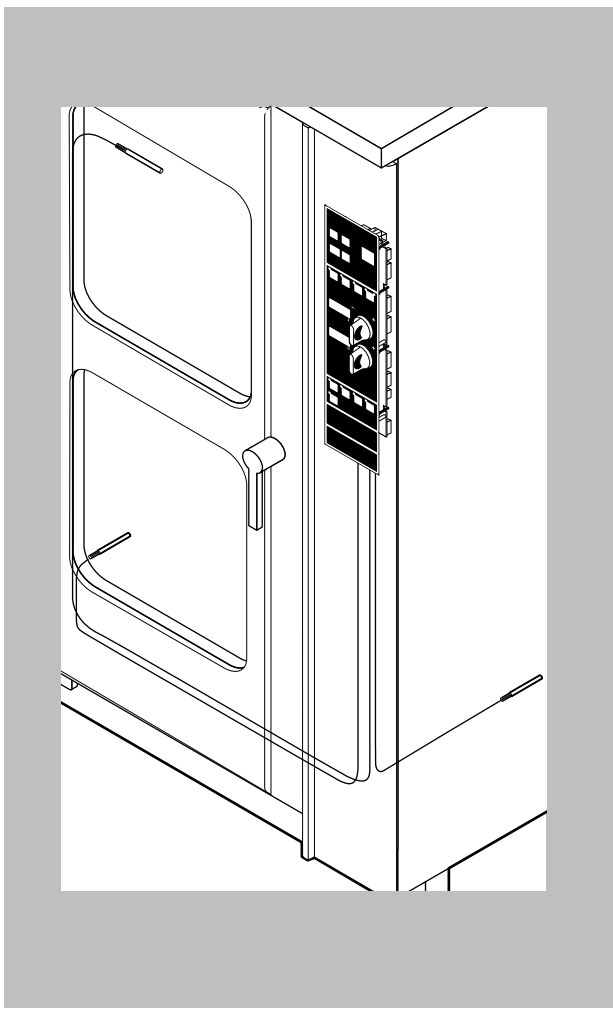
POS.	CODE	PIECES	DESCRIPTION
1	R58003840	2	MOTOR GASKET BRASS FLANGE
2	R58003850	2	MOTOR GASKET BRASS COUNTER FLANGE
3	R58004000	2	FAN SCREW M12x1.5 SX
4	R58004010	2	FAN WASHER Ø 30/12.5
5	R61020562	2	FAN SCREW TE A2 M6x55
6	R65040061	2	MOTOR HP 1 KIT
7	R65060010	2	COMPONENTS VENTILATION MOTOR Ø 80
8	R65070070	1	CHAMBER SAFETY THERMOSTAT
9	R65070080	1	STEAM GENERATOR SAFETY THERMOSTAT
10	R65095000	1	DAMPER SYSTEM
11	R65110040	1	SOLENOID VALVE 220V 50HZ
12	R65115000	1	SOLENOID VALVE 220V 50HZ WITH FLOW REDUCER
13	R65140150	5	CONTACTOR 3TF4011-OAUO 240V
14	R65140240	9	CONTACTOR 3TF4211-OAUO 240V
15	R65160050	2	THERMIC SWITCH SUPPORT 3UX1418
16	R65160120	2	THERMIC PROTECTION 3UA5000-1C 1.6-2.5A
17	R65180650	1	TRANSFORMER 23VA
18	R65200200	1	FUSE 2A
19	R65200320	1	FUSE 0.2A (T)

POS.	CODE	PIECES	DESCRIPTION
20	R65210020	2	FUSE CARRIER
21	R65220130	1	TERMINAL BOARD
22	R65265100	1	DOOR SWITCH
23	R65325000	1	PROBE PT100
24	R65325010	1	PROBE PT100 3m
25	R65325020	1	PROBE PT100 5m
26	R65330040	1	BUZZER
27	R70020050	2	MOTOR GASKET
28	R75400380	2	FAN Ø 350x120/24 50HZ P.D. KIT



POS.	CODE	PIECES	DESCRIPTION
1	R10100140	1	DAMPER SYSTEM CAP
2	R10102780	1	STEAM GENERATOR ASSEMBLY
3	R10200940	1	STEAM GENERATOR
4	R10201720	1	DRAIN FILTER
5	R58005680	1	STEAM GENERATOR DESCALING CAP 1"1/4 F
6	R58006080	1	STEAM QUENCHING NOZZLE Ø 2
7	R58006110	2	STEAM GENERATOR FLUSHING NOZZLE
8	R61630011	12	METAL CLAMPS 12-22/9
9	R61630021	2	METAL CLAMPS 30-45/9
10	R61630031	2	METAL CLAMPS 40-60/9
11	R61630041	4	METAL CLAMPS 70-90/9
12	R62180032	2	FLEXIBLE STEEL PIPE Ø 1"1/4 ASSEMBLY
13	R65011210	2	CHAMBER HEATING ELEMENT 9000W
14	R65011310	2	CHAMBER HEATING ELEMENT 15000W
15	R65020420	3	STEAM GENERATOR HEATING ELEMENT 15000W
16	R65110540	1	STEAM GENERATOR DRAIN MOTORIZED VALVE
17	R65320010	2	STEAM GENERATOR LEVEL PROBE
18	R70030080	2	GASKET Ø 27x39 1"1/4
19	R70050040	1	STEAM GENERATOR CAP GASKET

POS.	CODE	PIECES	DESCRIPTION
20	R70060010	2	SILICON COUPLING Ø 30
21	R70060020	1	DAMPER SYSTEM CAP GASKET
22	R70060040	1	SILICON COUPLING Ø 50
23	R70060060	3	SILICON COUPLING Ø 15



POS.	CODE	PIECES	DESCRIPTION
1	R10205120	2	KNOB SPRING
2	R65300800	1	CONTROL PANEL P.C. BOARD
3	R67010650	1	LAINOX PLATE
4	R69030150	2	KNOB KIT
5	R70040850	1	CONTROL PANEL GASKET
6	R70050020	4	KNOB GASKET

POS.	CODE	PIECES	DESCRIPTION