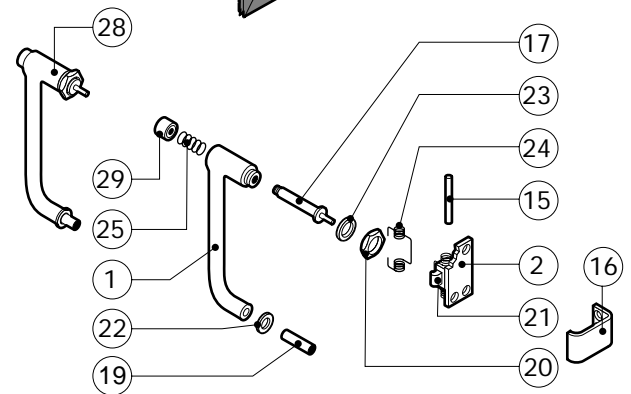
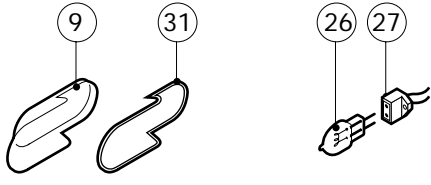
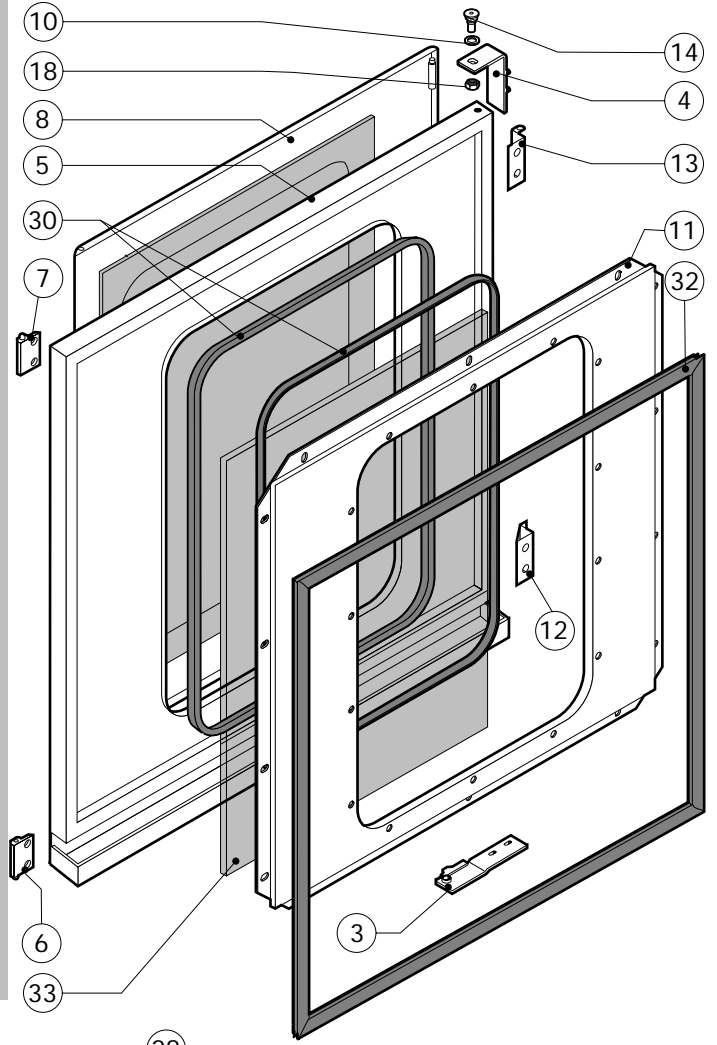
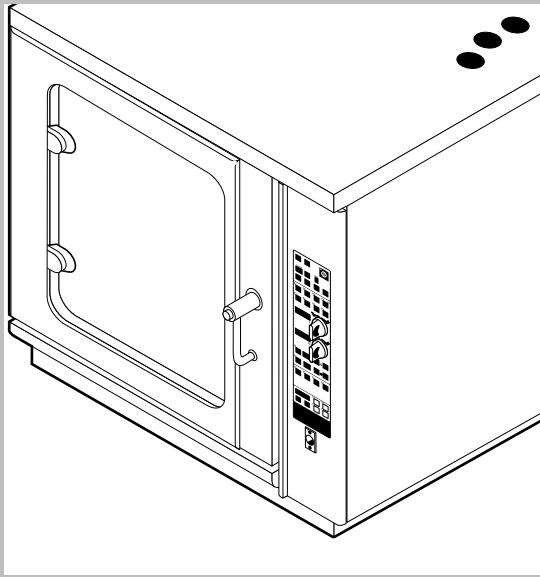


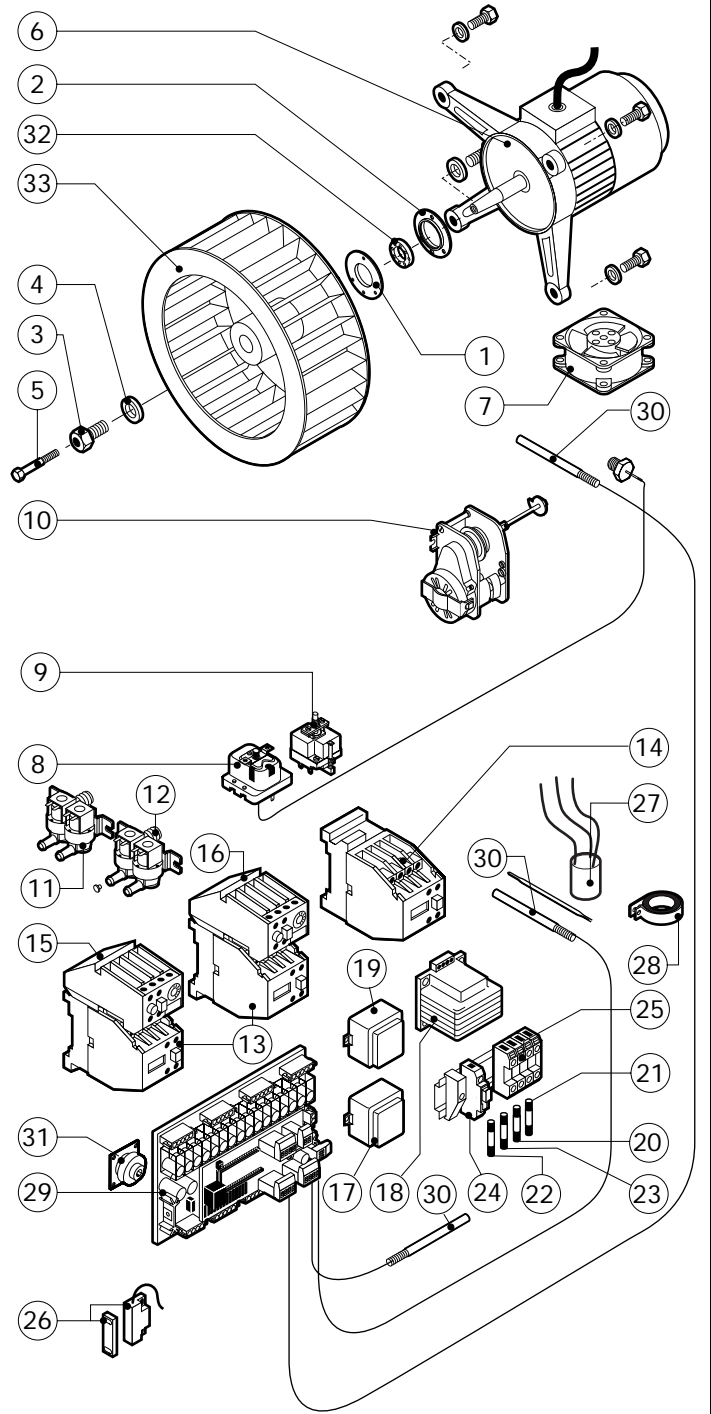
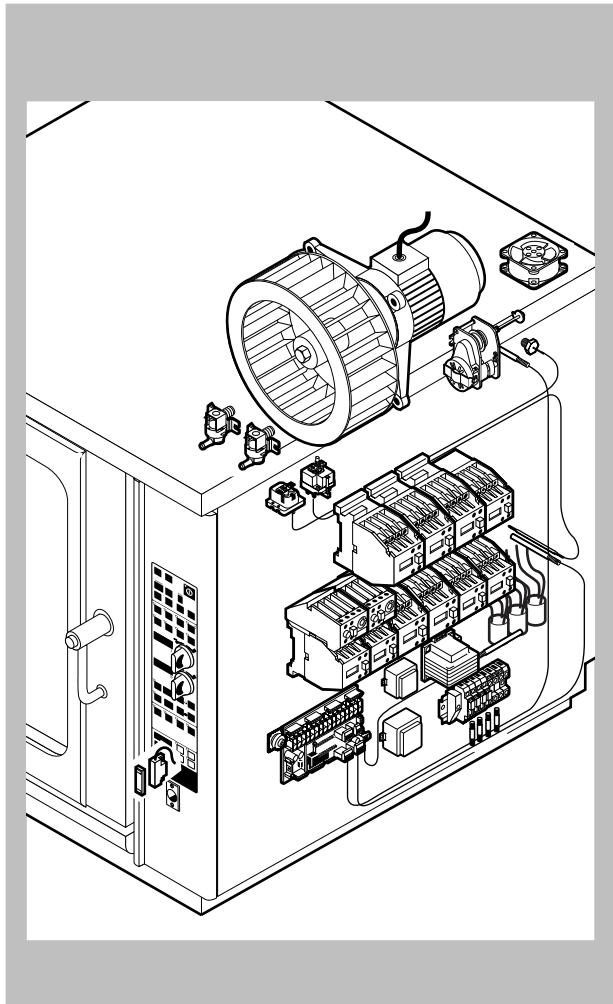
POS.	CODE	PIECES	DESCRIPTION
1	R10104250	1	DOOR ASSEMBLY
2	R10205140	1	CONTROL PANEL
3	R10206480	1	SPRITZER EXTENSION
4	R10206540	1	SPRITZER UNION
5	R10207141	1	COOKING CABINET ASSEMBLY
6	R10207271	1	FAN GUARD PANEL ASSEMBLY
7	R10212380	1	RIGHT SIDE PANEL
8	R10212390	1	LEFT SIDE PANEL
9	R10212400	1	REAR PANEL
10	R10213540	1	COVER PANEL
11	R58003100	2	FAN GUARD FASTENING SCREW
12	R70043270	1	FRONT GASKET
13	R75300020	1	FAN GUARD GRID Ø 120
14	R75300090	1	FAN GUARD GRID Ø 350

POS.	CODE	PIECES	DESCRIPTION



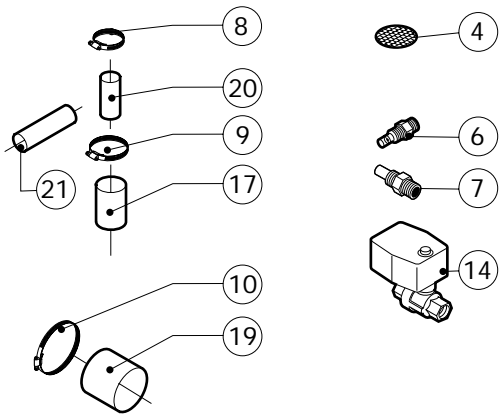
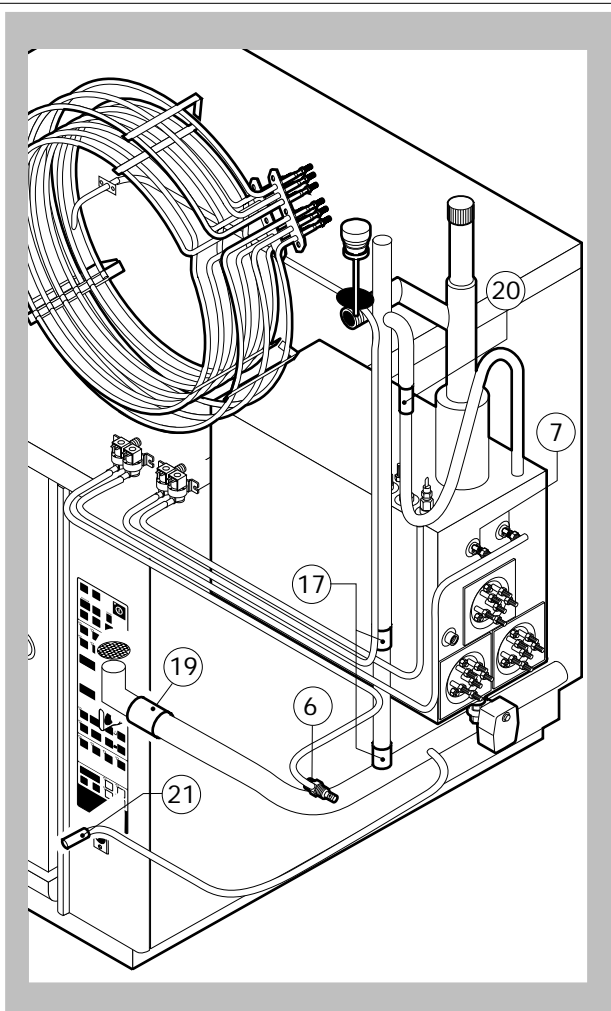
POS.	CODE	PIECES	DESCRIPTION
1	R09200230	1	DOOR HANDLE
2	R10100110	1	PRONG FLANGE
3	R10201190	1	LOWER DOOR HINGE
4	R10201290	1	UPPER DOOR HINGE
5	R10207620	1	DOOR
6	R10208290	1	FRONT LOWER DOOR PANEL CATCH
7	R10208300	1	FRONT UPPER DOOR PANEL CATCH
8	R10208330	1	FRONT DOOR PANEL
9	R10400150	2	LIGHT PROTECTION
10	R10401710	1	WASHER FOR UPPER DOOR HINGE
11	R10408130	1	INNER DOOR PANEL
12	R10456040	1	LOWER HINGE FOR FRONT DOOR PANEL
13	R10456050	1	UPPER HINGE FOR FRONT DOOR PANEL
14	R58002150	1	HINGE PIN
15	R58002160	1	DOOR HANDLE PRONG PIN
16	R58002760	1	DOOR HANDLE PRONG COUPLER
17	R58003240	1	DOOR HANDLE BUTTON ROD
18	R58004050	1	NUT FOR UPPER DOOR HINGE
19	R58004270	1	DOOR HANDLE SPACER

POS.	CODE	PIECES	DESCRIPTION
20	R58004830	1	RING NUT M18x1
21	R58005050	1	DOOR HANDLE PRONG
22	R58005340	1	DOOR HANDLE LOWER INSULATION WASHER
23	R58005350	1	DOOR HANDLE UPPER INSULATION WASHER
24	R61620012	1	DOOR HANDLE CATCH SPRING
25	R61620041	1	DOOR HANDLE BUTTON SPRING
26	R65270020	2	LIGHT 20W 12V G4
27	R65270400	2	LIGHT SOCKET
28	R69015000	1	DOOR HANDLE ASSEMBLY
29	R69031190	1	DOOR HANDLE PUSH BUTTON
30	R70040200	2	GLASS GASKET
31	R70040800	2	LIGHT PROTECTION GASKET
32	R70042030	1	DOOR GASKET
33	R71030120	1	DOOR GLASS

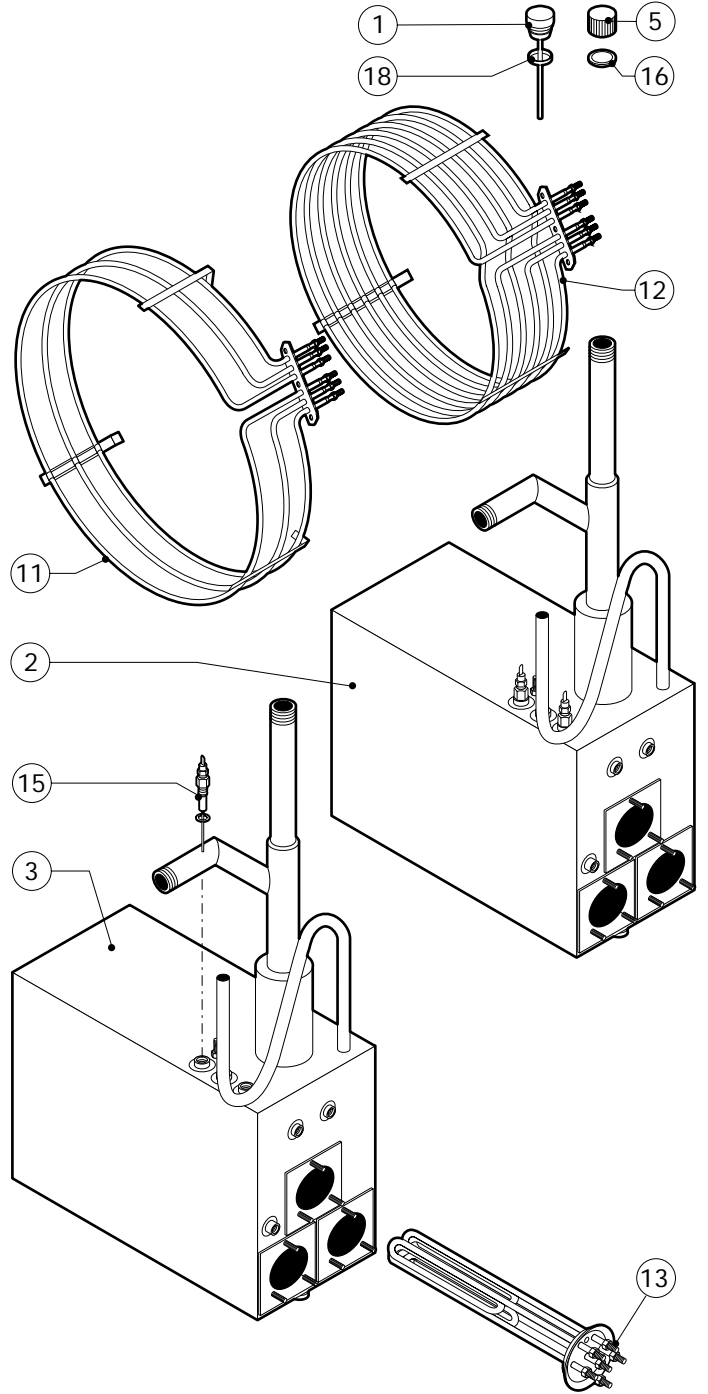


POS.	CODE	PIECES	DESCRIPTION
1	R58003840	1	MOTOR GASKET BRASS FLANGE
2	R58003850	1	MOTOR GASKET BRASS COUNTER FLANGE
3	R58004000	1	FAN SCREW M12x1.5 SX
4	R58004010	1	FAN WASHER Ø 30/12.5
5	R61020562	1	FAN SCREW TE A2 M6x55
6	R65040051	1	MOTOR HP 1/0.3 KIT
7	R65060050	1	COMPONENTS VENTILATION MOTOR Ø 120
8	R65070070	1	CHAMBER SAFETY THERMOSTAT
9	R65070080	1	STEAM GENERATOR SAFETY THERMOSTAT
10	R65095000	1	DAMPER SYSTEM
11	R65110040	1	SOLENOID VALVE 220V 50HZ
12	R65115000	1	SOLENOID VALVE 220V 50HZ WITH FLOW REDUCER
13	R65140150	5	CONTACTOR 3TF4011-OAUO 240V
14	R65140240	5	CONTACTOR 3TF4211-OAUO 240V
15	R65160110	1	THERMIC PROTECTION 3UA5000-0J 0.63-1A
16	R65160120	1	THERMIC PROTECTION 3UA5000-1C 1.6-2.5A
17	R65180410	1	TRANSFORMER 16VA
18	R65180430	1	TRANSFORMER 40VA
19	R65180650	1	TRANSFORMER 23VA

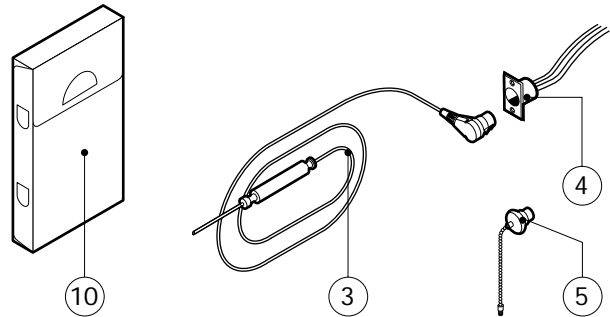
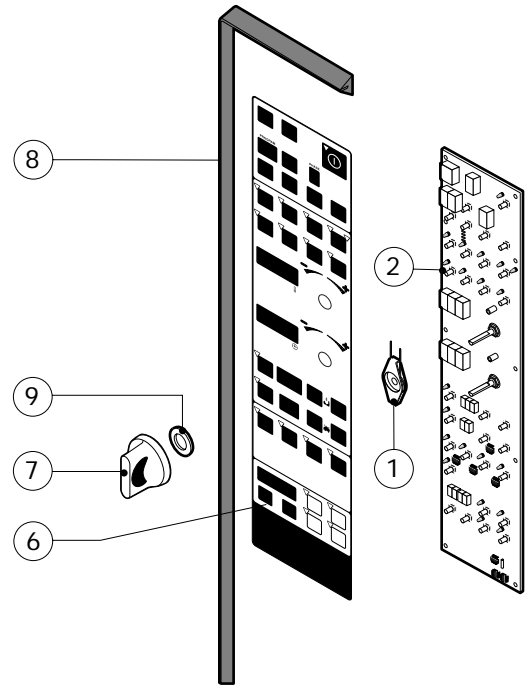
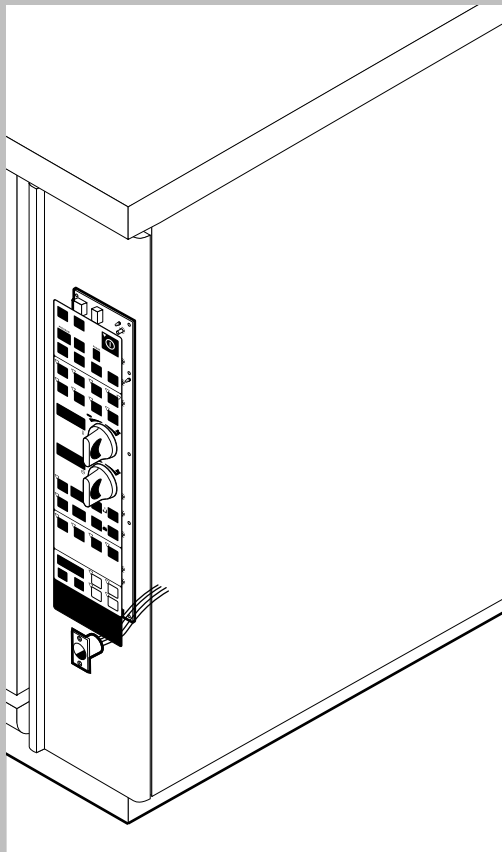
POS.	CODE	PIECES	DESCRIPTION
20	R65200086	1	FUSE 0.125A (T)
21	R65200200	1	FUSE 2A
22	R65200320	1	FUSE 0.2A (T)
23	R65200350	1	FUSE 0.4A (T)
24	R65210020	4	FUSE CARRIER
25	R65220130	1	TERMINAL BOARD
26	R65265100	1	DOOR SWITCH
27	R65280200	3	INTERFERENCE SUPPRESSOR
28	R65280450	1	FERRITE
29	R65300730	1	RELAYS P.C. BOARD
30	R65325000	3	PROBE PT100
31	R65330040	1	BUZZER
32	R70020050	1	MOTOR GASKET
33	R75400380	1	FAN Ø 350x120/24 50HZ P.D. KIT



POS.	CODE	PIECES	DESCRIPTION
1	R10100140	1	DAMPER SYSTEM CAP
2	R10102640	1	STEAM GENERATOR ASSEMBLY
3	R10200920	1	STEAM GENERATOR
4	R10201700	1	DRAIN FILTE
5	R58005680	1	STEAM GENERATOR DESCALING CAP 1"1/4 F
6	R58006080	1	STEAM QUENCHING NOZZLE Ø 2
7	R58006110	2	STEAM GENERATOR FLUSHING NOZZLE
8	R61630011	12	METAL CLAMPS 12-22/9
9	R61630021	2	METAL CLAMPS 30-45/9
10	R61630031	2	METAL CLAMPS 40-60/9
11	R65011250	1	CHAMBER HEATING ELEMENT 15000W
12	R65011310	1	CHAMBER HEATING ELEMENT 15000W
13	R65020350	3	STEAM GENERATOR HEATING ELEMENT 7500W
14	R65110540	1	STEAM GENERATOR DRAIN MOTORIZED VALVE
15	R65320010	2	STEAM GENERATOR LEVEL PROBE
16	R70050040	1	STEAM GENERATOR CAP GASKET
17	R70060010	2	SILICON COUPLING Ø 30
18	R70060020	1	DAMPER SYSTEM CAP GASKET
19	R70060040	1	SILICON COUPLING Ø 50



POS.	CODE	PIECES	DESCRIPTION
20	R70060060	1	SILICON COUPLING Ø 15
21	R70060080	1	SILICON COUPLING Ø 13



POS.	CODE	PIECES	DESCRIPTION
1	R10205120	2	KNOB SPRING
2	R65300710	1	CONTROL PANEL P.C. BOARD
3	R65320900	1	CORE TEMPERATURE PROBE
4	R65320920	1	CORE TEMPERATURE PROBE FEMALE CONNECTOR
5	R65321020	1	COVER FOR FEMALE CONNECTOR
6	R67010920	1	LAINOX PLATE
7	R69030150	2	KNOB KIT
8	R70040840	1	CONTROL PANEL GASKET
9	R70050020	4	KNOB GASKET
10	R86020420	1	CORE TEMPERATURE PROBE BOX

POS.	CODE	PIECES	DESCRIPTION